



POSEIDON

AMERICAN BRAND STONE EQUIPMENT

SITE PREPARATION

CUSTOMER OPTIONS FOR SYSTEM MOUNTING ARE SHOWN IN THIS DOCUMENT. MINIMUM CLEARANCES FOR MACHINE ACCESS ARE SHOWN. CHECK LOCAL CODES FOR MINIMUM SAFETY CLEARANCE.

ELECTRICAL:

400 VOLT
3 PHASE
60 AMP RATING

AIR:

125 PSI
30 CFM CONTINUOUS

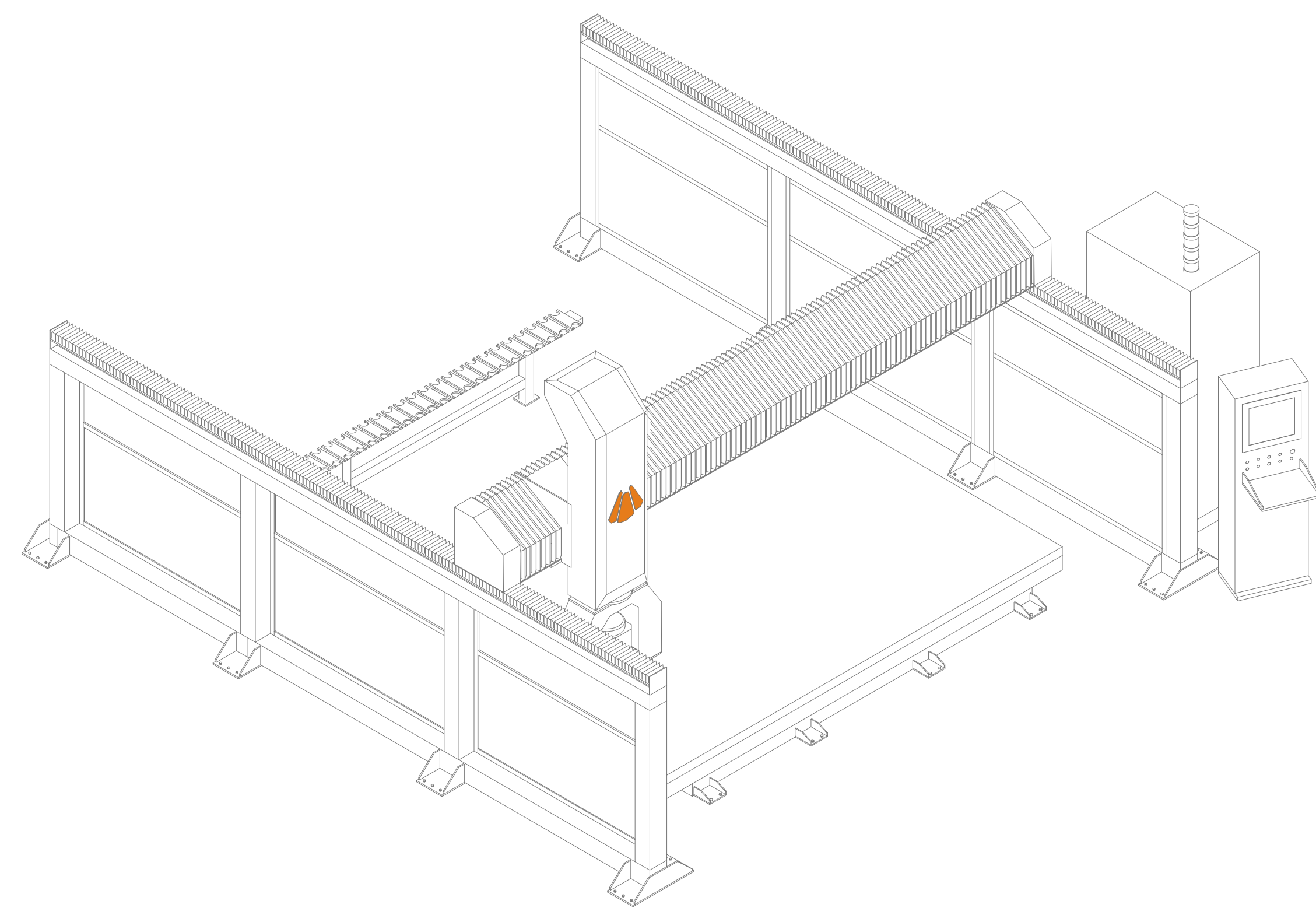
WATER:

2 GALLONS PER MIN NON-RECYCLED
6 GALLONS PER MIN, 20 MICRONS RECYCLED FOR TOOL REFRIGERATION.

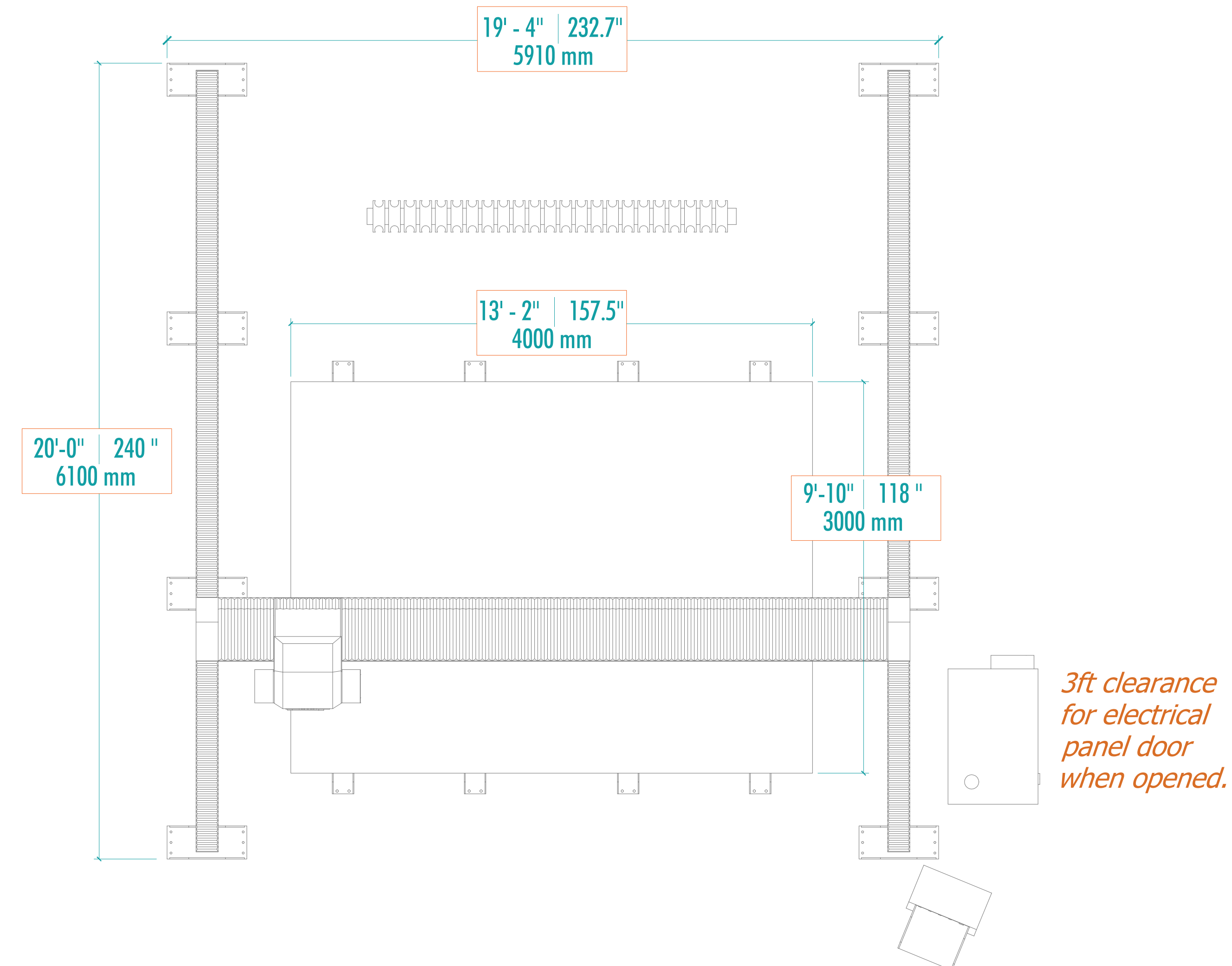
NOTE:

ELECTRICIAN MUST INSTALL AND WIRE A SUITABLE DISCONNECT BOX. DISCONNECT BOX MUST BE MOUNTED ON WALL NEAR RIGHT SIDE OF SYSTEM. ELECTRICIAN MUST WIRE AND MAKE FINAL CONNECTION TO SYSTEM.

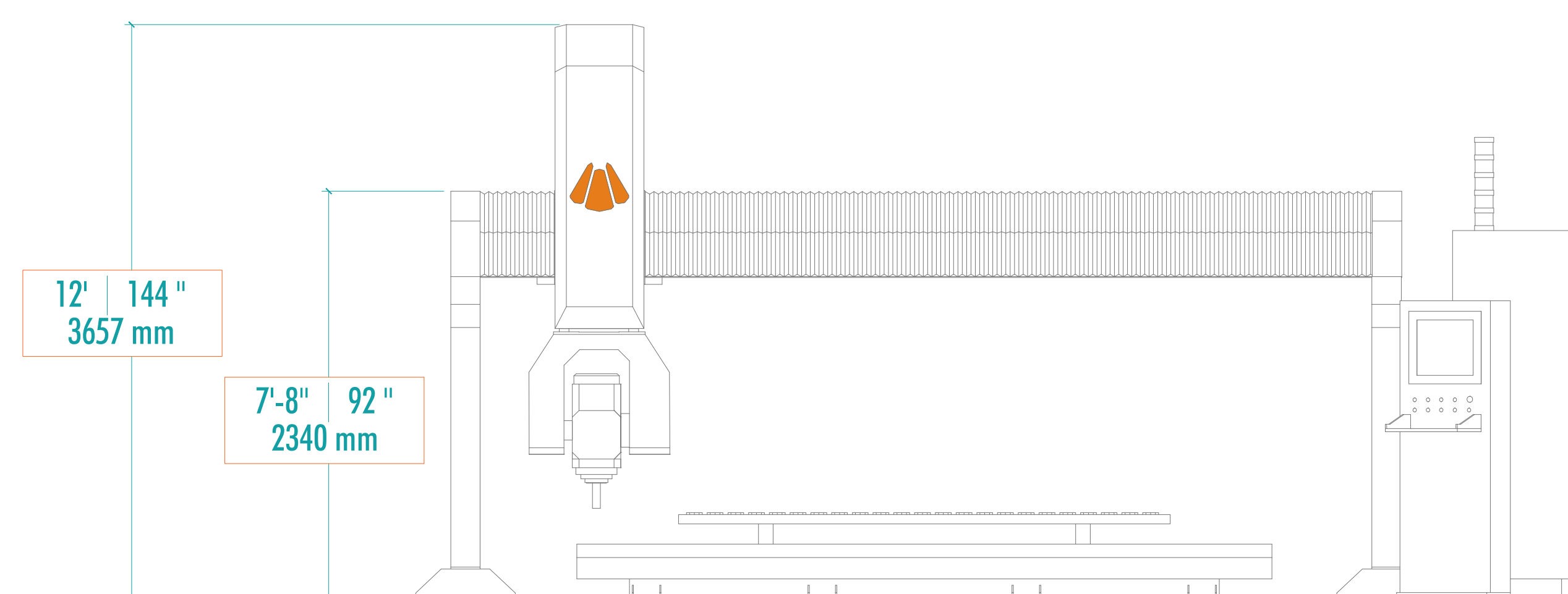
THIS DOCUMENT CONTAINS CONFIDENTIAL AND PROPRIETARY INFORMATION OF POSEIDON. IT IS ISSUED SOLELY FOR THE PURPOSE OF QUOTATION OR MANUFACTURING FOR POSEIDON. POSSESSION OF THIS DOCUMENT DOES NOT GRANT THE RIGHT TO USE, REPRODUCE, OR DISCLOSE THE INFORMATION CONTAINED THEREIN TO ANY OTHER PARTY WITHOUT THE EXPRESSED WRITTEN CONSENT OF POSEIDON.



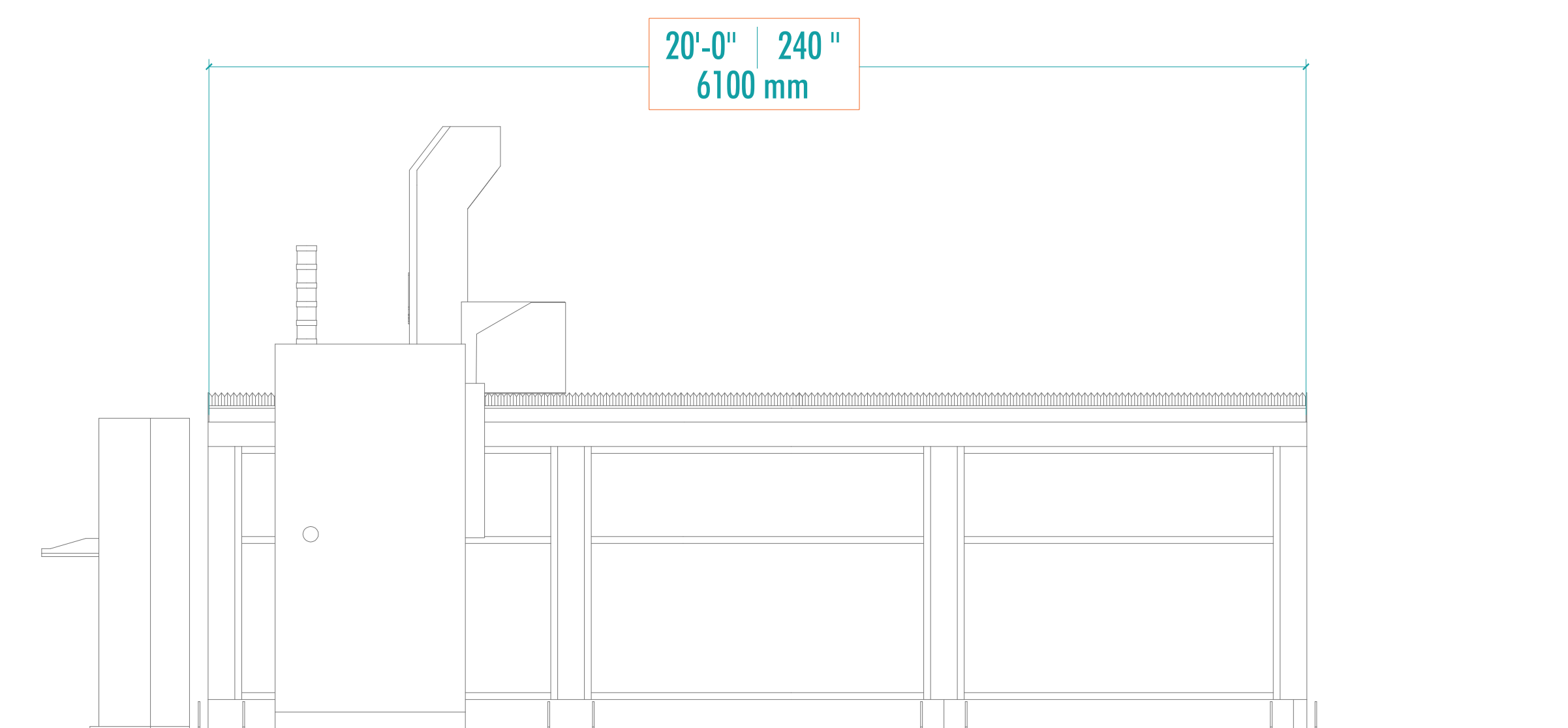
T-REX 6.1



PLAN VIEW



FRONT VIEW



SIDE VIEW

T-REX 6.1
SINGLE JUMBO TABLE



POSEIDON