

Drehsperren

# ID GATE 6200

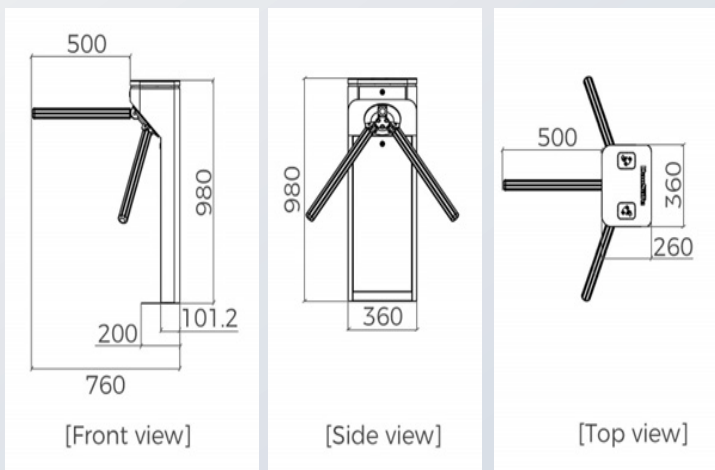


## PRODUCT DESCRIPTION

The ID GATE 6200 is a robust and versatile turnstile for secure access control in public and commercial facilities. Whether in fitness studios, museums, or amusement parks, the system ensures a smooth, controlled flow of people and increases security in sensitive areas.

Thanks to its compact dimensions, high operational reliability, and options such as ticket- or transponder-based access, the ID GATE 6200 is ideally suited for highly frequented passageways.

## DIMENSIONS



## HIGHLIGHTS

- **Durable, high operational reliability, and fast response**
- **Selectable transponder-based, ticket-based, or freely rotating exit mode**
- **Automatic anti-panic folding arms in the event of power failure or fire alarm**
- **Integrated LED display for clear access signals**
- **Efficient access control for indoor and outdoor areas**

## Accessories (Optional)

- **iDTRONIC RFID Built-In Reader R840**
- **QR Code/ RFID Reader ID 1500/1200**
- **Remote Control (Wired / Wireless)**
- **Installation of third-party readers (e.g., MIFARE, LEGIC, EM, HID, etc.)**

## TECHNICAL DATA

SPECIFICATION	
Dimensions	360 x 260 x 980mm
Material	Stainless steel 304 for indoor use Stainless steel 312 for outdoor use
Power Supply	20W
Operating Voltage	24V DC
Capacity	35 people per minute
Emergency Mechanism	Automatic anti-panic folding arms in the event of power failure
Interface	Relay Signal, RS485
Operating Location	Indoor / outdoor use
Protection Class	IP44
Operating Temperature	-20 °C up to 75°C
Humidity	0 ~ 95%
Scope of Delivery	<ul style="list-style-type: none"> <li>• Stainless steel turnstile</li> <li>• Stainless steel barrier arms</li> <li>• Anchor bolts (M12) + nuts</li> <li>• Wired remote control (for testing purposes only)</li> <li>• Cleaning set</li> </ul>

## ORDER CODES

DESCRIPTION	
ID Gate 6200 (Indoor)	• R-TS-IDG-6200
ID Gate 6200 (Outdoor)	• R-TS-IDG-6200-316

THERE IS THE OPTION TO USE EITHER A FREELY ROTATING PASSAGE MODE (FREE EXIT) OR A COUNTER (COUNTER).

BOTH FUNCTIONS CANNOT BE COMBINED.

## PRODUCT IMAGES

