

Turnstile

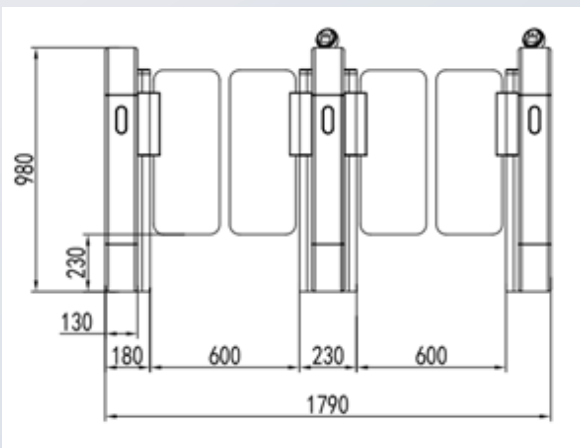
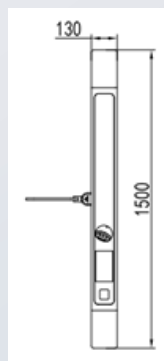
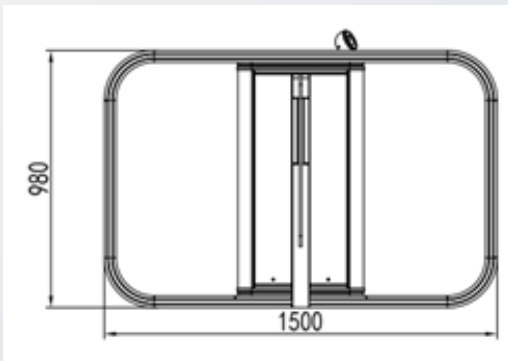
## ID GATE 9900



### PRODUCT DESCRIPTION

The ID GATE 9900 is a modern speed gate for high-traffic areas with increased security demands. It features anti-tailgating, anti-reverse and infrared anti-pinch protection for safe, controlled pedestrian flow. The system supports RFID (IC/ID), QR scanning and face recognition, offers one-way/two-way modes, and enables easy integration via RS485 (optional RS232 / dry contact).

### DIMENSIONS



### HIGHLIGHTS

- Robust Industrial Design
- Advanced Anti-Tailgating & Anti-Reverse Protection
- Flexible Memory & Operation Modes
- Automatic Reset Function
- Integrated Infrared Anti-Clipping Sensors
- Multi-Credential Support
- Seamless System Integration

### Accessories (Optional)

- iDTRONIC R840 Ethernet
- QR Code Reader ID Ident 1500/2000
- Remote Control (Wired /Wireless)
- 3rd party reader installation (z.B. MIFARE, LEGIC, EM, HID etc.)

## TECHNISCHE DATEN

### SPECIFICATIONS

Dimensions	980 x 960 x 1500mm
Material (housing)	Aluminum alloy, black anodized
Glass panel	Transparent polycarbonate (PC)
Power supply	24V 500W
Input voltage	AC100V ~ 240V,50/60HZ
Passage Frequency	35 people per minute
Passage width	600 – 900 mm
Opening speed	Adjustable from 0.3 s to 1.5 s
LED	RGB light strip
Infrared sensors	48 detection points
Interfaces	RS485 / RS232 / dry contact
Control system	Servo control system
Drive motor	Brushless servo motor
Operating temperature	-20°C ~ +70°C
Humidity	≤90 % non-condensing

## ORDER CODES

### DESCRIPTION

ID Gate 9900	• R-TS-IDG-9900
--------------	-----------------

## PRODUCT IMAGES

