

Drehsperren

ID GATE 6400

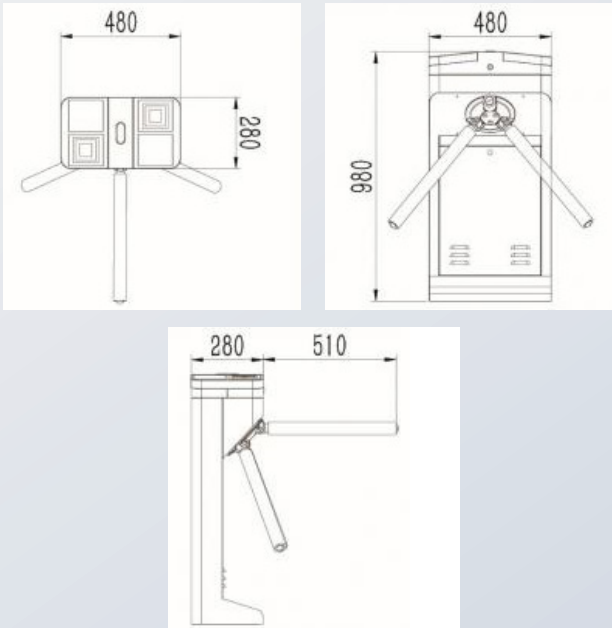


PRODUCT DESCRIPTION

The ID GATE 6400 is a robust and versatile turnstile for secure access control in public and commercial facilities. Whether in fitness studios, museums, or amusement parks, the system ensures a smooth, controlled flow of people and increases security in sensitive areas.

Thanks to its compact dimensions, high operational reliability, and options such as ticket- or transponder-based access, the ID GATE 6400 is ideally suited for highly frequented passageways.

DIMENSIONS



HIGHLIGHTS

- **Durable, high operational reliability, and fast response**
- **Selectable transponder-based, ticket-based, or freely rotating exit mode**
- **Automatic anti-panic folding arms in the event of power failure or fire alarm**
- **Integrated LED display for clear access signals**
- **Efficient access control for indoor and outdoor areas**

Accessories (Optional)

- **iDTRONIC RFID Built-In Reader R840**
- **QR Code/ RFID Reader ID 1500/1200**
- **Remote Control (Wired / Wireless)**
- **Installation of third-party readers (e.g., MIFARE, LEGIC, EM, HID, etc.)**

TECHNICAL DATA

SPECIFICATION

Dimensions	480 x 280 x 980mm
Material	Stainless steel 304
Power Supply	35W
Operating Voltage	24V DC
Capacity	35 Personen pro Minute
Emergency Mechanism	Automatische Antipanik-Klapparme beim Stromausfall
Interface	Relay signal, RS485
Operating Location	Innenbereich / Außenbereich
Protection Cass	IP44
Operating Temperature	-20 °C bis zu 75°C
Humidity	0 ~ 95%
Scope of Delivery	<ul style="list-style-type: none">• Stainless steel turnstile• Stainless steel barrier arms• Anchor bolts (M12) + nuts• Manual

ORDER CODES

DESCRIPTION

ID Gate 6400	<ul style="list-style-type: none">• R-TS-IDG-6400
--------------	---

THERE IS THE OPTION TO USE EITHER A FREELY ROTATING PASSAGE MODE (FREE EXIT) OR A COUNTER (COUNTER).

BOTH FUNCTIONS CANNOT BE COMBINED.

PRODUCT IMAGES

