

Drehsperren

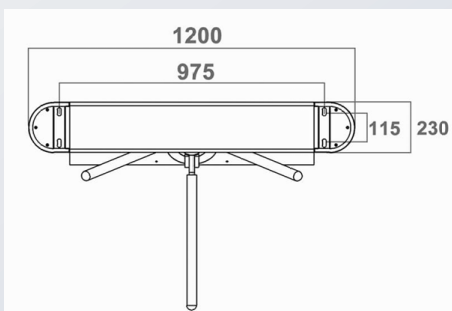
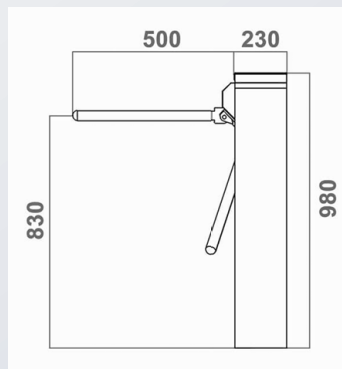
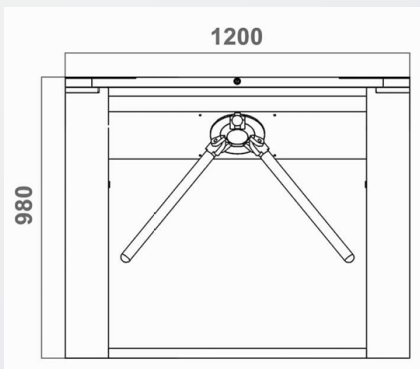
ID GATE 7700



PRODUCT DESCRIPTION

The ID GATE 7700 is a reliable turnstile for controlled access in security-sensitive areas. It combines modern design with robust technology and is suitable for use in fitness studios, museums, or amusement parks.

DIMENSIONS



HIGHLIGHTS

- Efficient access control with high operational reliability
- Transponder- or ticket-based entry and exit, alternatively free passage
- Automatic anti-panic folding arms in case of power failure or fire alarm
- Integrated LED display for clear access signals
- Available in both indoor and outdoor versions

ACCESSORIES (Optional)

- iDTRONIC RFID Built-In R840
- QR Code/ RFID Combi-Reader ID 1500/1200
- Remote Control (Wired / Wireless)
- Integration of Third-Party Readers (z.B. MIFARE, LEGIC, EM, HID etc.)

TECHNICAL DATA

SPECIFICATION

Dimensions	1200 x 230 x 980mm
Material	Stainless Steel 304 for Indoor use Stainless Steel 312 for Outdoor use
Power Supply	AC230V/110V, 50/60Hz
Operating Voltage	24V DC
Capacity	35-40 people per minute
Emergency Mechanism	Automatic anti-panic folding arms in case of power failure
Interface	Relay signal, RS485
Operating Location	Indoor / Outdoor
Protection Class	IP44
Operating Temperature	-15°C up to +60°C
Humidity	0 ~ 95%
Scope of Delivery	<ul style="list-style-type: none"> • Turnstile made of stainless steel • Barrier arms made of stainless steel • Anchor bolts (M12) + nuts • Wired remote control (for testing purposes only) • Cleaning kit

ORDER CODES

DESCRIPTION

ID Gate 7700 (Indoor)	• R-TS-IDG-7700
ID Gate 7700 (Outdoor)	• R-TS-IDG-7700-316

IT IS POSSIBLE TO USE EITHER A FREE-TURNING PASSAGE (FREE EXIT) OR A COUNTER FUNCTION.

BOTH FUNCTIONS CANNOT BE COMBINED.

PRODUCT IMAGES

