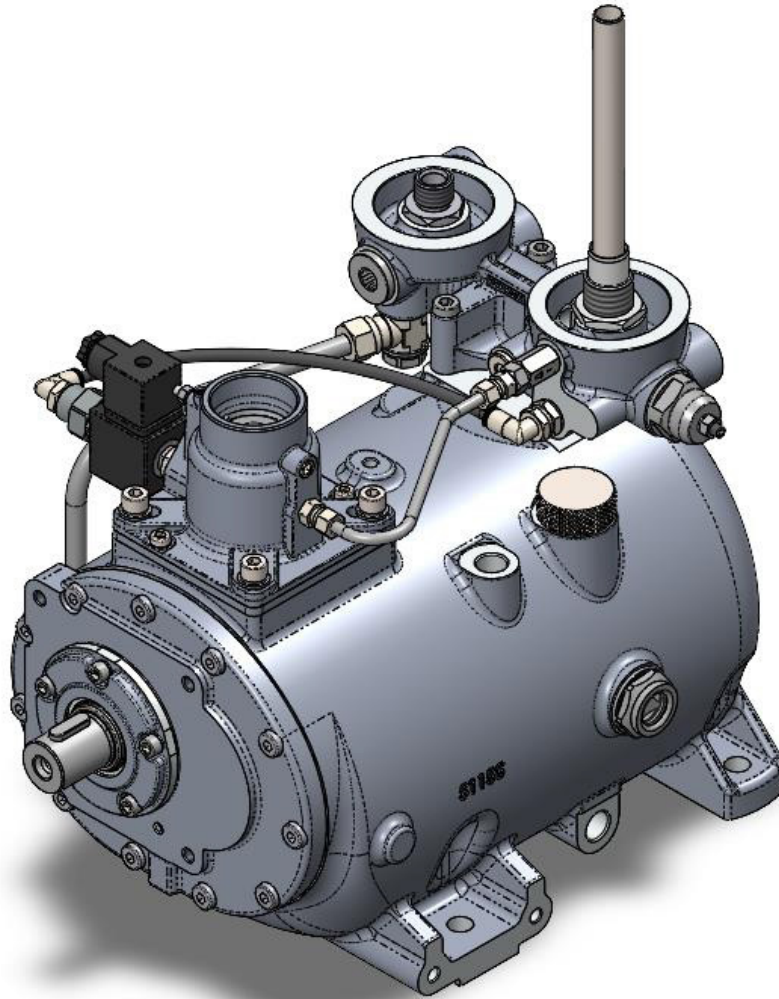


# RS3.5 Rotary Screw Airend Parts & Maintenance Kits

---



Check [www.compressed-air-systems.com](http://www.compressed-air-systems.com) for most up to date manual, compressor service, and technical information.

---

## Compressed Air Systems

Simplicity. It's What We Do.

[compressed-air-systems.com](http://compressed-air-systems.com) | 1-800-531-9656 | Fax 972-352-6364

© Compressed Air Systems, LLC



Scan to find installation guides,  
repair guides, manuals, and more.



## Contents

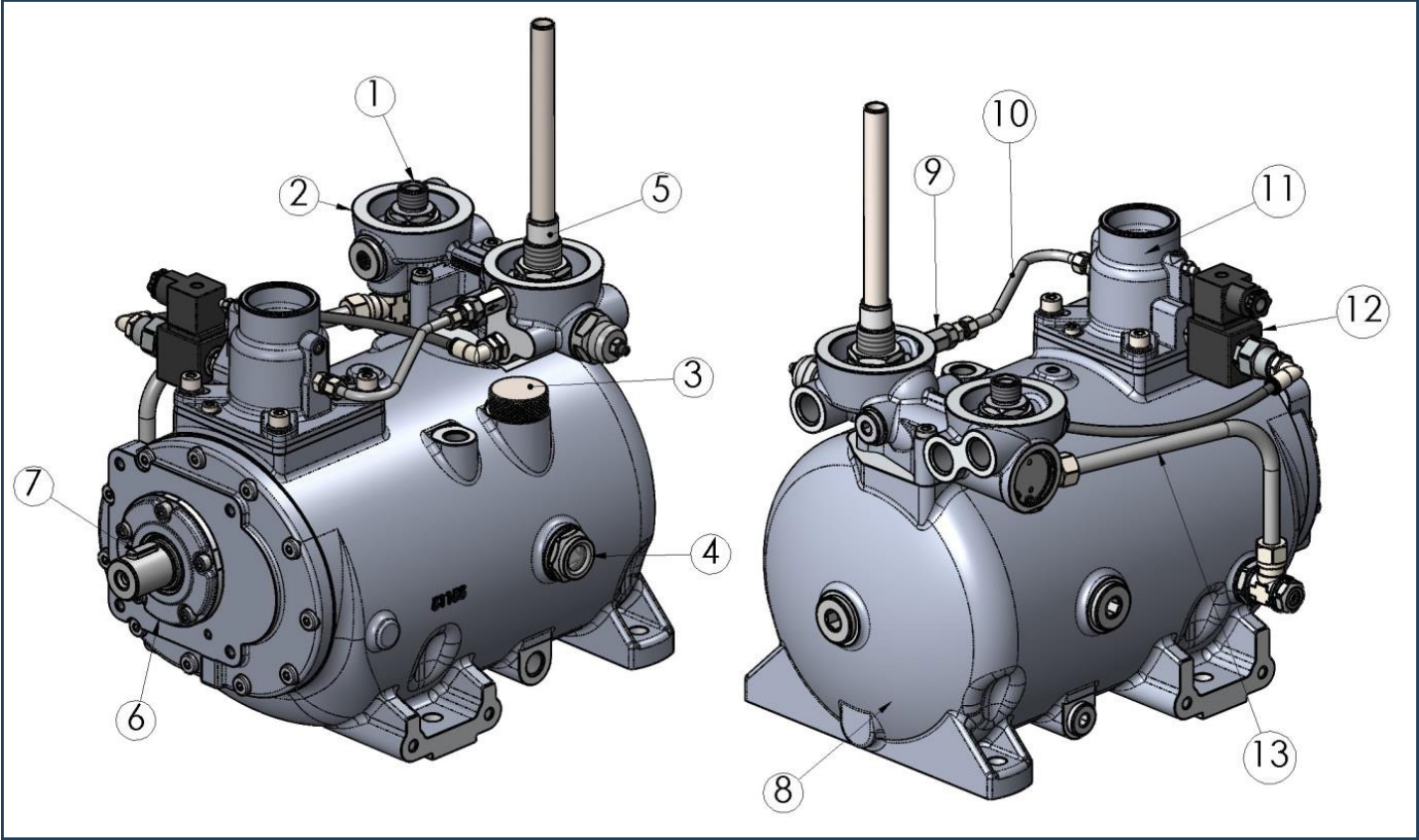
Main Components .....	2
Separator Tank.....	3
Intake Valve.....	5
Thermostatic Valve and Minimum Pressure Valve.....	6
Thermostatic Valve and Minimum Pressure Valve Tank Connections.....	9
Airend .....	10

Compressed Air Systems is not liable for damages to people and/or objects caused by a misuse of the RS3.5, noncompliance or partial compliance with safety standards mentioned in this document, changes (even small ones), tampering, and use of non-original spare parts.

**WARNING:** Always wear proper protective eye ware, hearing protection and safety clothing when working around the compressor package. No loose or baggy clothing should be worn around compressor package at any time.

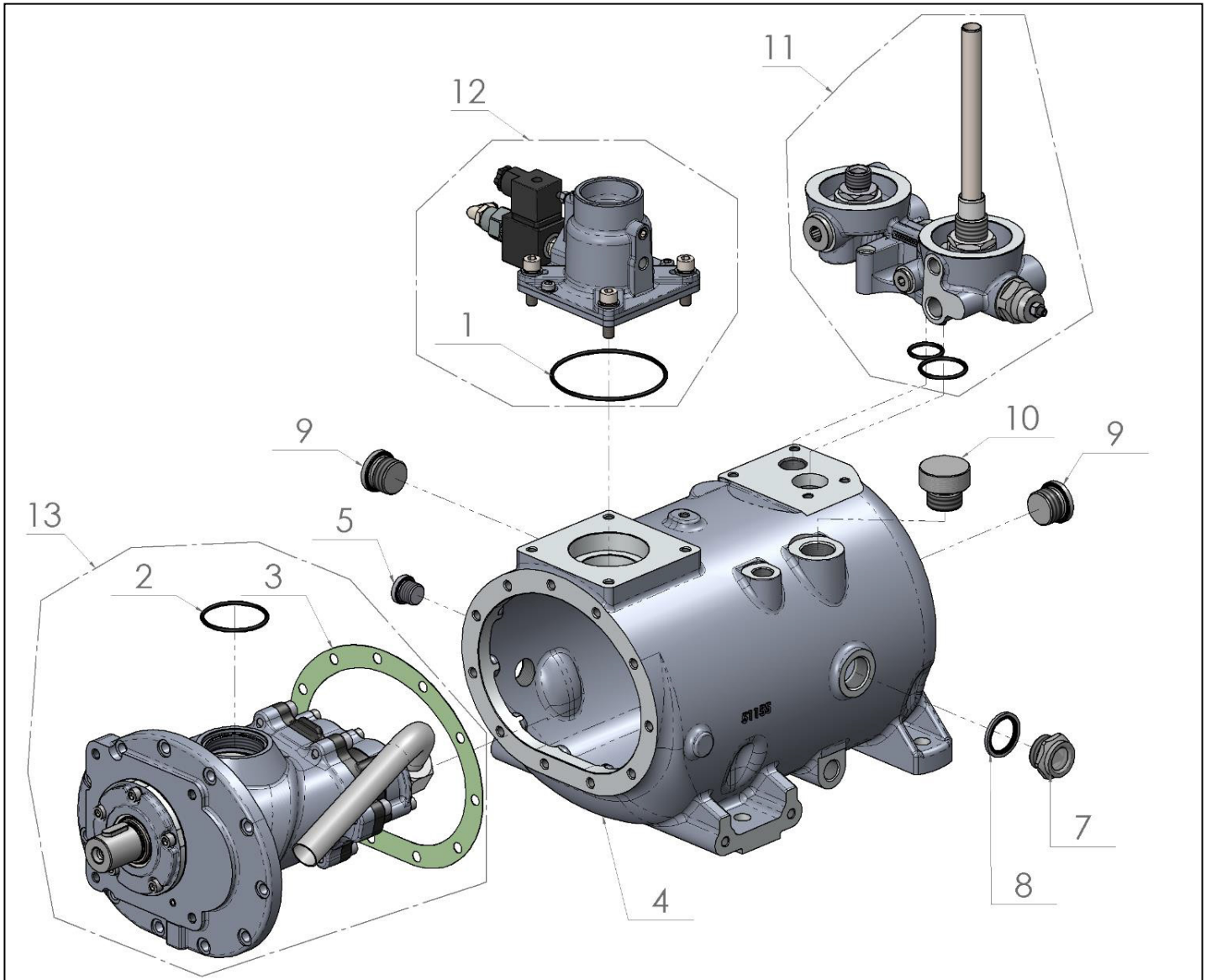
**NOTICE:** Compressed Air Systems compressors can operate at pressures from 0-250 PSI depending on the compressor package design and build specifications. Always verify that the system the compressor is installed into can handle the maximum operational pressure of the compressor. NEVER install a compressor in a system that can not handle the compressors maximum operating pressure.

### Main Components



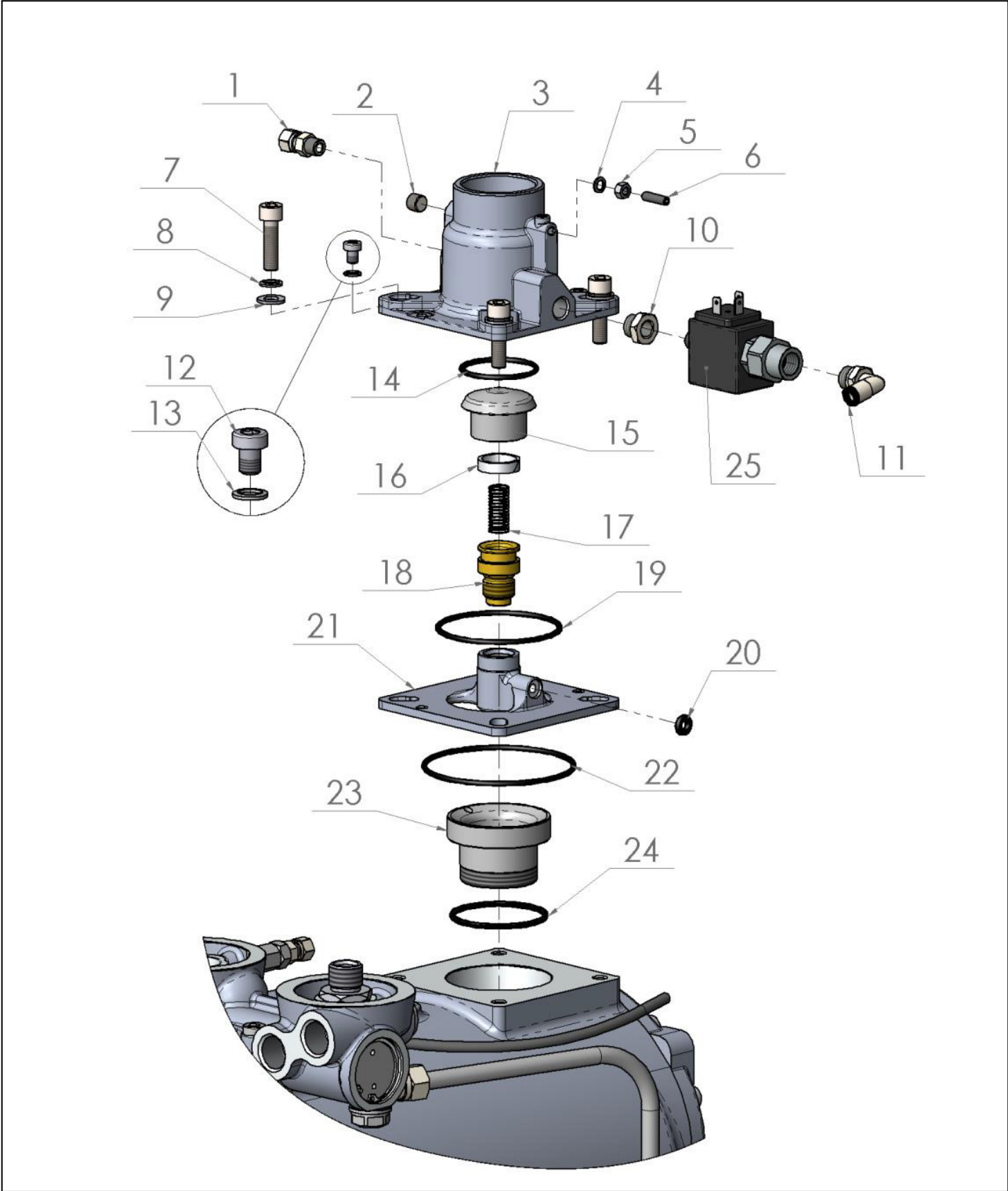
- 1. Oil nipples
- 2. Thermostatic and minimum pressure valve
- 3. Oil refilling cap
- 4. Oil level viewer
- 5. Separator Nipple
- 6. Front cover
- 7. Drive shaft
- 8. Separator tank
- 9. Check valve
- 10. Oil recovery pipe
- 11. Intake valve
- 12. Solenoid valve
- 13. Oil injection pipe

## Separator Tank



Separator Tank			
#	Part Number	QTY	Description
1	IAT-VMC-700129	1	Viton O ring
2	IAT-VMC-700267	1	Viton O ring
3	IAT-VMC-700226	1	Tank gasket
4	IAT-VMC-600074	1	Separator tank
5	IAT-VMC-700075	1	Hex socket head plug steel zinc plated + Viton
6	IAT-VMC-700227	11	Hex socket head screw uni 9327 zinc. steel
7	IAT-VMC-700253	1	Oil sight glass
8	IAT-VMC-700254	1	Bonded seal washer steel + Viton
9	IAT-VMC-700075	2	Hexagon socket head plug zinc. pl. steel + Viton
10	IAT-VMC-700252	1	Oil refill plug zinc. pl. Steel
11	IAT-VMC-200096	1	RS3.5 71° NY
12	IAT-VMC-100089	1	Intake valve RH38E
13	IAT-VMC-728.0001	1	RS3.5 Airend

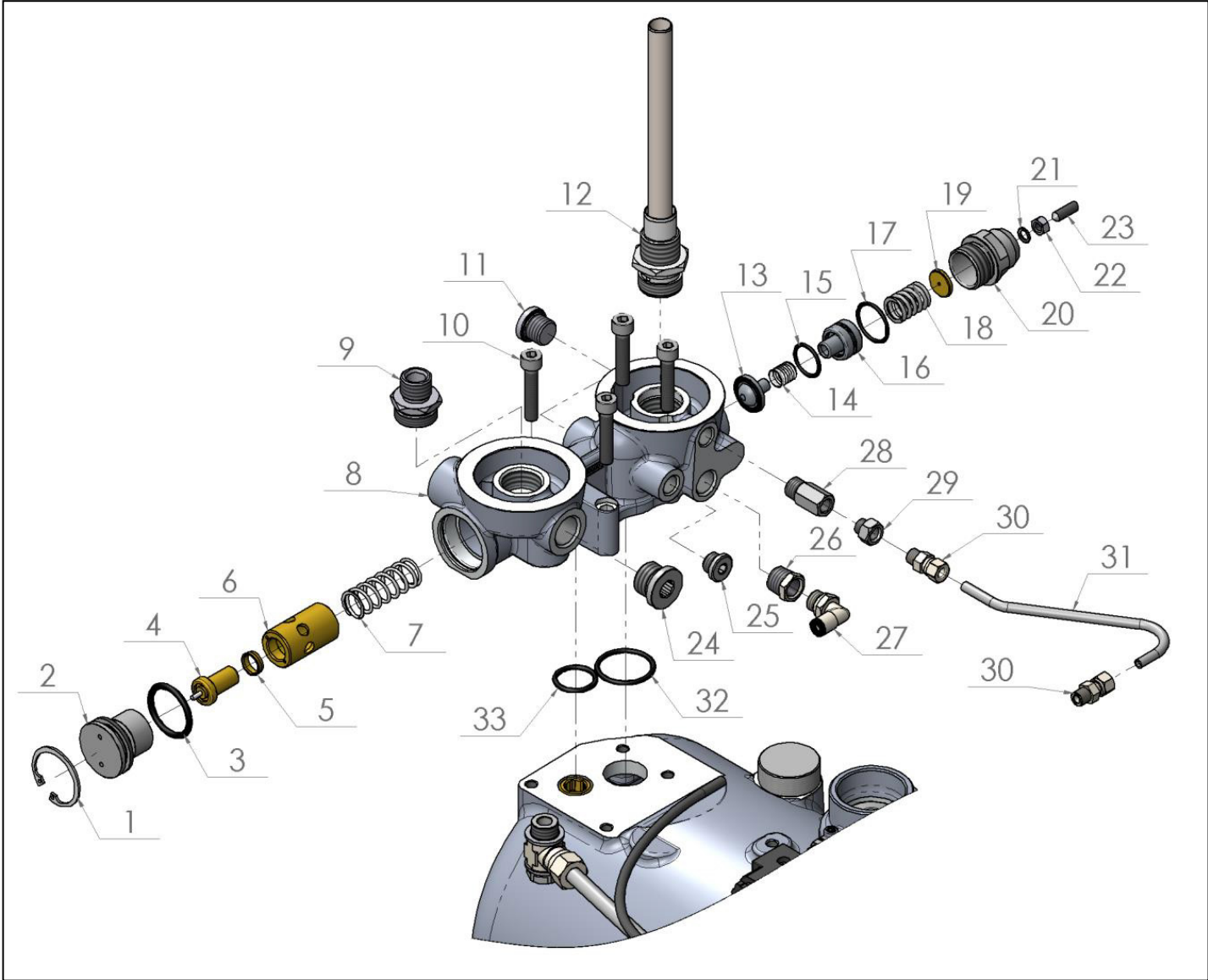
# Intake Valve



## Intake Valve

Intake Valve				
#	Part Number	QTY	Description	Kit
1	IAT-VMC-700248	1	Compression Fitting Nickel Plated Brass	
2	IAT-VMC-100003	1	Flat Point Hex. Socket Set Screw Brass	
3	IAT-VMC-100091	1	Upper Body Valve RH38E With O Ring	
4	IAT-VMC-700239	1	Schnorr Washer Zinc Pl. Steel	
5	IAT-VMC-700238	1	Nut Zinc. Plated Steel	
6	IAT-VMC-700237	1	Hex Socket Set Screw Stainless Steel	
7	IAT-VMC-700271	4	Socket Head Bolt Galvanized Steel	
8	IAT-VMC-600062	4	Schnorr Washer	
9	IAT-VMC-700236	4	Plane Washer Galvanized Steel	
10	IAT-VMC-100092	1	Straight Reduction Nickel Plated Brass	
11	IAT-VMC-100093	1	Swivel Elbow Fitt. Push In Nic. Pl.Brass (Viton)	
12	IAT-VMC-700270	2	Socket Head Bolt Galvanized Steel	
13	IAT-VMC-100094	2	Schnorr Washer	
14	IAT-VMC-700177	1	Viton O ring	
15	IAT-VMC-100090	1	Rh38 Throttle Alu.	
16	IAT-VMC-700245	1	Cylinder Ring Ptfе	
17	IAT-VMC-700246	1	N.R. Spring Stailess Steel	
18	IAT-VMC-700244	1	Piston Guide Whit Nr - Brass + Stailess Steel	
19	IAT-VMC-700249	1	Viton O ring	IAT-VMC-100095 Lower body valve RH38E with O Ring
20	IAT-VMC-700250	1	ORing Viton	
21	IAT-VMC-100087	1	Lower Body Rh38E Anod. Alu.	
22	IAT-VMC-700129	1	Viton O ring	
23	IAT-VMC-100088	1	Intake Cylinder ADAM75	
24	IAT-VMC-700251	1	JF Seal Ring Viton	
25	IAT-VMC-02865 V81	1	Solenoid Valve 24V DC	

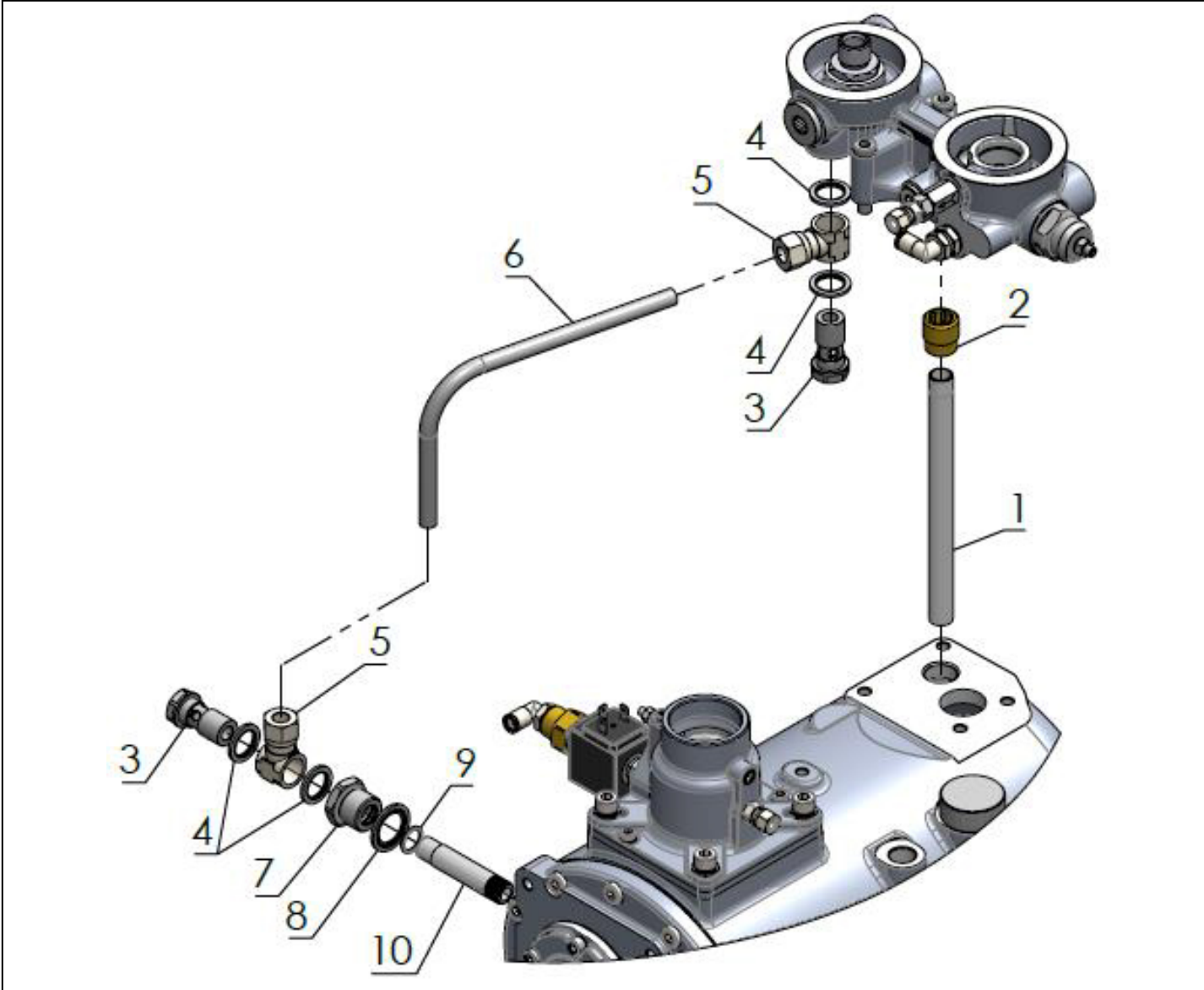
### Thermostatic and Minimum Pressure Valve



## Thermostatic and Minimum Pressure Valve

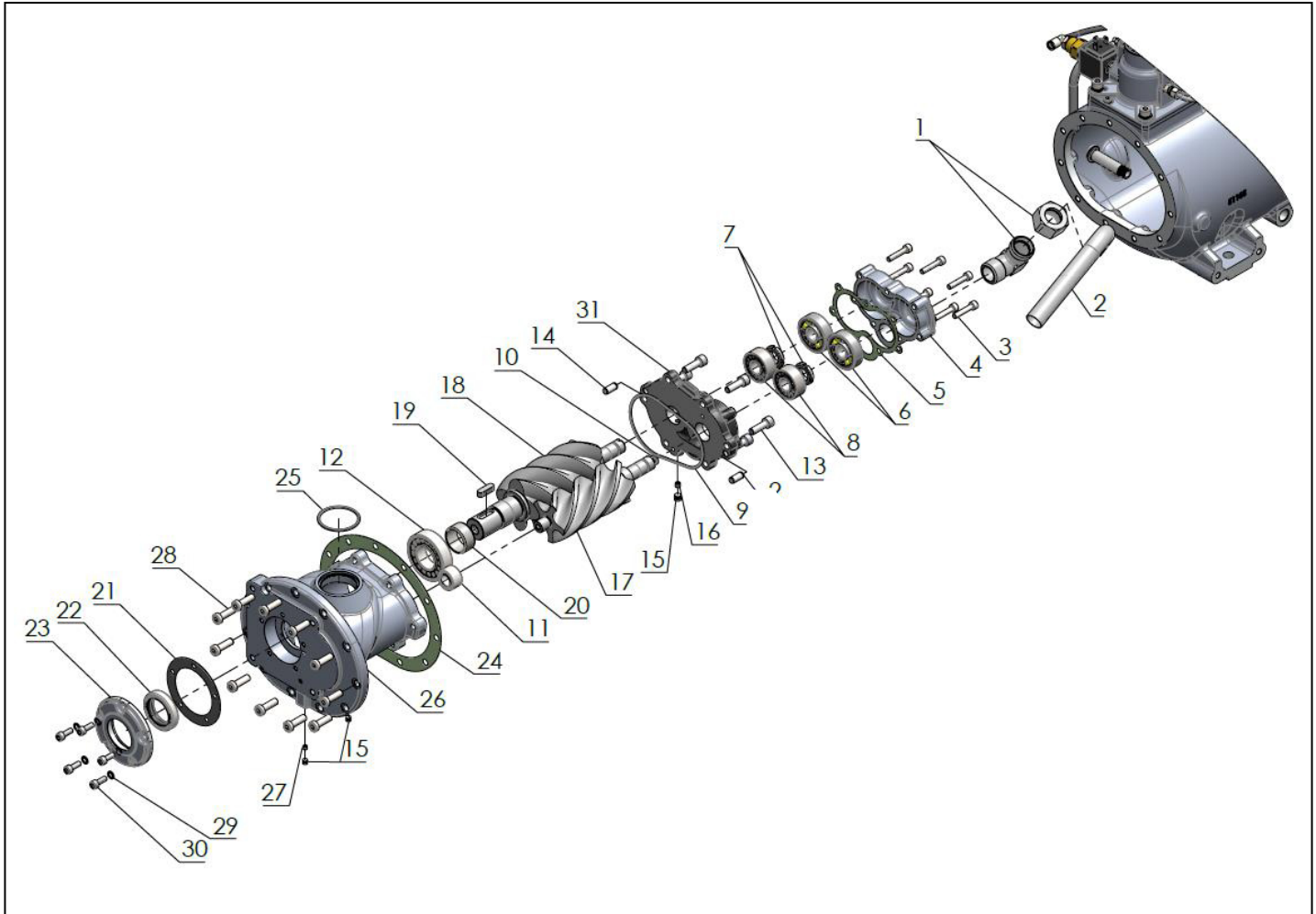
Thermostatic and Minimum Pressure Valve				
#	Part Number	QTY	Description	Kit
1	IAT-VMC-100053	1	Seeger ring steel	IAT-VMC-200095 VTDM29 Kit
2	IAT-VMC-200014	1	VTDM192939x thermostatic cap with O ring	
3		1	Viton O ring	
4	IAT-VMC-200070	1	Thermal actuator 71°	
5	IAT-VMC-200013	1	Thermal actuator bushing brass	
6	IAT-VMC-200018	1	Vtvtft25/27 piston brass	
7	IAT-VMC-700170	1	Spring vtvtf20/vtft25 steel	
8	IAT-VMC-200094	1	Body valve VTDM19 "up" series anod. alu.	
9	IAT-VMC-200006	1	Oil filter nipple zinc. steel	
10	IAT-VMC-700262	4	Socket head screw steel zinc. plated	
11	IAT-VMC-700075	1	Hex. Socket head plug steel zinc + Viton	
12	IAT-VMC-200055	1	Complete separator nipple m24 steel	
13	IAT-VMC-700263	1	M.P.V. G10 poppet stainless steel	IAT-VMC-220.0091 M.P.V. G10
14	IAT-VMC-500027	1	M.P.V. G10 poppet spring stainless steel	
15	IAT-VMC-700264	1	Viton O ring	
16	IAT-VMC-500032	1	G10 M.P.V. piston stainless steel	
17	IAT-VMC-700142	1	Viton O ring	
18	IAT-VMC-700265	1	V.M.P. G20 piston spring stainless steel	
19	IAT-VMC-500031	1	Spring slide g10 brass	
20	IAT-VMC-700266	1	V.M.P. G10 cylinder anod. alu.	
21	IAT-VMC-100094	1	Schnorr washer	
22	IAT-VMC-700272	1	Hex. nut zinc. plated steel	
23	IAT-VMC-700273	1	Hex. socket screw cone point zinc. steel	
24	IAT-VMC-700140	1	Hex. socket head plug zinc steel + seal Viton	
25	IAT-VMC-700208	1	Hex. socket head plug zinc steel + seal Viton	
26	IAT-VMC-700261	1	Reducing adapter male female nickel brass	

### Thermostatic and Minimum Pressure Valve Tank Connections



Thermostatic and Minimum Pressure Valve Tank Connections				
#	Part Number	QTY	Description	Kit
1	IAT-VMC-900259	1	Oil dip pipe steel	
2	IAT-VMC-700229	1	Pipe reducing adapter brass	
3	IAT-VMC-700232	2	Fitting socket head screw 3/8" zinc. steel	IAT-VMC-728.0092 Oil return pipe kit
4	IAT-VMC-700230	4	Bonded seal washer zinc. steel	
5	IAT-VMC-700231	2	Adjustable ring fitting nickel brass	
6	IAT-VMC-900260	1	Oil return pipe zinc. steel	
7	IAT-VMC-700233	1	Oil return connector zinc. steel	
8	IAT-VMC-700234	1	Bonded seal washer zinc. steel	
9	IAT-VMC-700235	1	Viton O ring	

## Airend



## Airend

Airend				
#	Part Number	QTY	Description	Kit
1	IAT-VMC-600073	1	Fitting junction elbow zinc. steel	
2	IAT-VMC-900246	1	Separator pipe zinc. steel	
3	IAT-VMC-700218	7	Hexagon socket head screw zinc. steel	
4	IAT-VMC-900258	1	Bearing cover aluminum	
5	IAT-VMC-100086	1	Bearing cover gasket	IAT-VMC-728.0022 Bearings kit
6	IAT-VMC-900247	2	Thrust ball bearing steel	
7	IAT-VMC-700219	2	Shaft lock nut steel	
8	IAT-VMC-900248	2	Roller bearing steel	
9	IAT-VMC-700176	1	Viton O ring	
10	IAT-VMC-700220	1	Viton O ring	
11	IAT-VMC-900250	1	Needle roller bearing steel	
12	IAT-VMC-900249	1	Roller bearing steel	
13	IAT-VMC-700200	6	Hexagon socket head screw zinc. steel	
14	IAT-VMC-700222	2	Parallel pin steel	
15	IAT-VMC-700224	3	Sealing plug steel	
16	IAT-VMC-700223	1	Nozzle ø1.5 stainless steel	
17	IAT-VMC-900251	1	Female rotor V75X steel	
18	IAT-VMC-900252	1	Male rotor V75X steel	
19	IAT-VMC-900255	1	Shaft key UNI6604 steel	
20	IAT-VMC-700225	1	Inner ring ir ø30xø35x17	IAT-VMC-940.0649 Shaft seal kit
21	IAT-VMC-700228	1	Front cover gasket v75x	
22	IAT-VMC-900254	1	Shaft seal ccw steel + ptfе	
23	IAT-VMC-900253	1	Front shaft cover v75x aluminum	
24	IAT-VMC-700226	1	Tank gasket	
25	IAT-VMC-700267	1	Viton O ring	
26	IAT-VMC-900256	1	Airend body aluminum.	
27	IAT-VMC-700269	1	Calibrated nozzle stainless steel	
28	IAT-VMC-700227	11	Lowered hexagon socket head cap screw m8x25	
29	IAT-VMC-100094	5	Schnorr washer steel	



**Compressed Air Systems, LLC**

600 S 2nd Ave  
Mansfield, TX, 76063  
**1-800-531-9656**  
Fax 972-352-6364

**Simplicity. It's What We Do.**