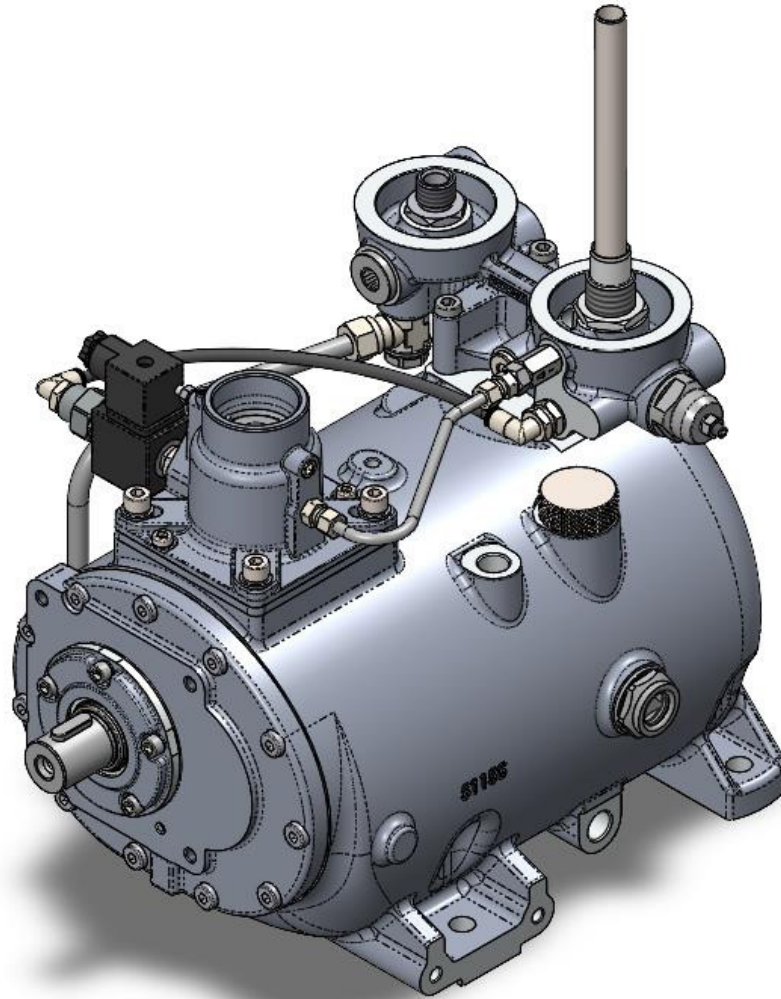


RS3.5 Rotary Screw Airend Parts & Maintenance Kits



Check www.compressed-air-systems.com for most up to date manual, compressor service, and technical information.

Compressed Air Systems

Simplicity. It's What We Do.

compressed-air-systems.com | 1-800-531-9656 | Fax 972-352-6364

© Compressed Air Systems, LLC



Scan to find installation guides,
repair guides, manuals, and more.



Contents

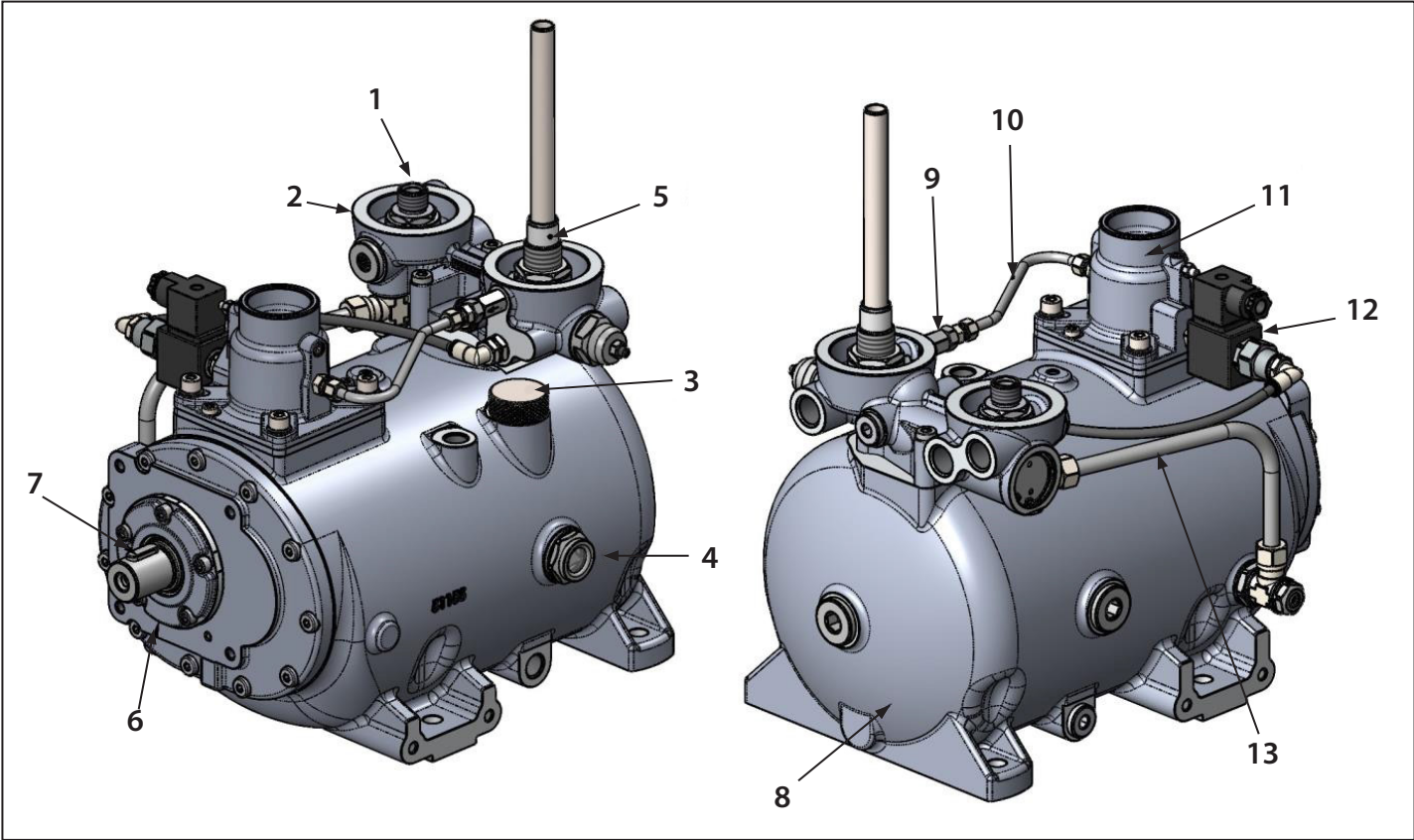
Main Components	2
Separator Tank.....	3
Intake Valve.....	5
Thermostatic Valve and Minimum Pressure Valve.....	6
Thermostatic Valve and Minimum Pressure Valve Tank Connections.....	9
Airend	10

Compressed Air Systems is not liable for damages to people and/or objects caused by a misuse of the RS3.5, noncompliance or partial compliance with safety standards mentioned in this document, changes (even small ones), tampering, and use of non-original spare parts.

WARNING: Always wear proper protective eye ware, hearing protection and safety clothing when working around the compressor package. No loose or baggy clothing should be worn around compressor package at any time.

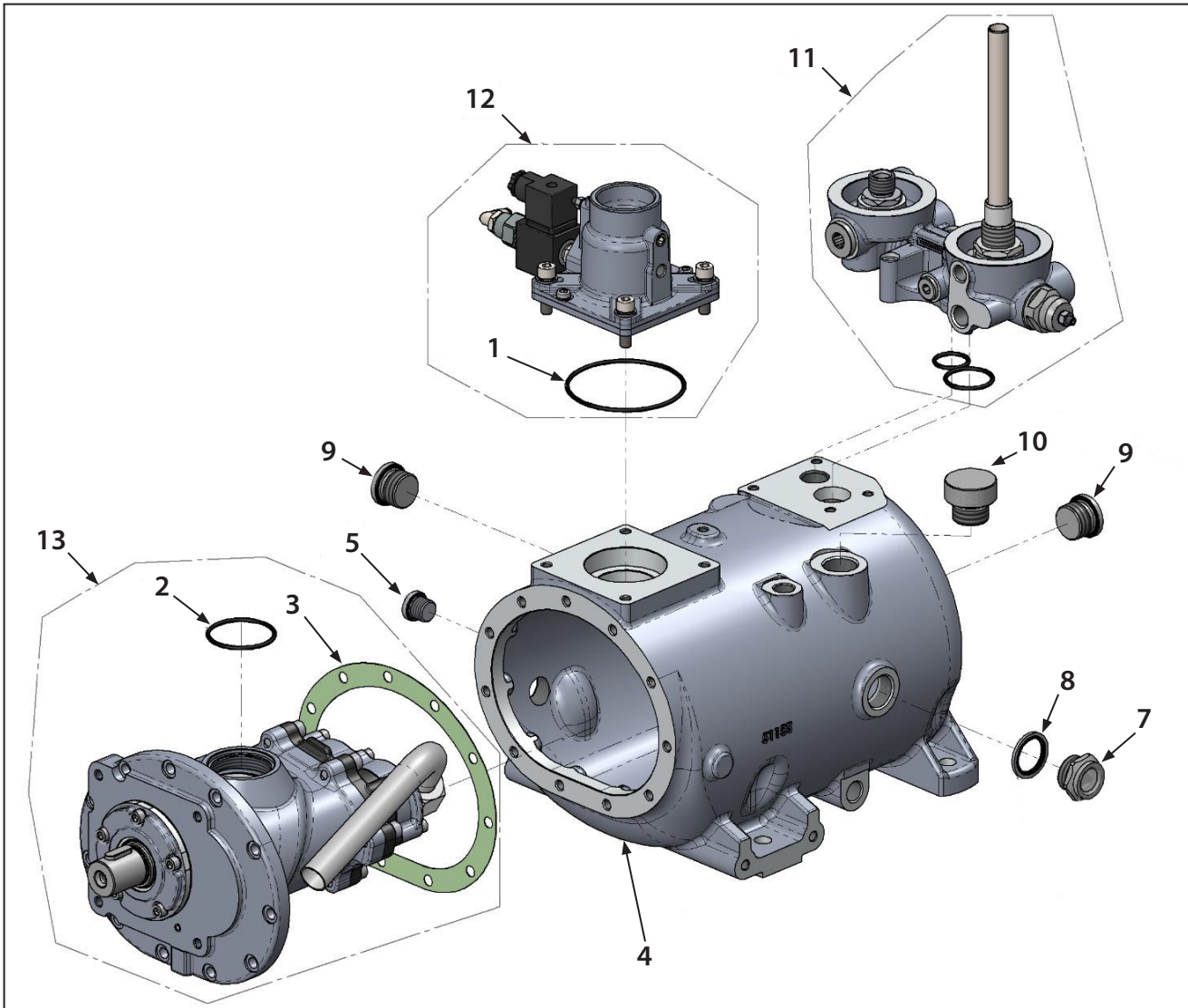
NOTICE: Compressed Air Systems compressors can operate at pressures from 0-250 PSI depending on the compressor package design and build specifications. Always verify that the system the compressor is installed into can handle the maximum operational pressure of the compressor. NEVER install a compressor in a system that can not handle the compressors maximum operating pressure.

Main Components



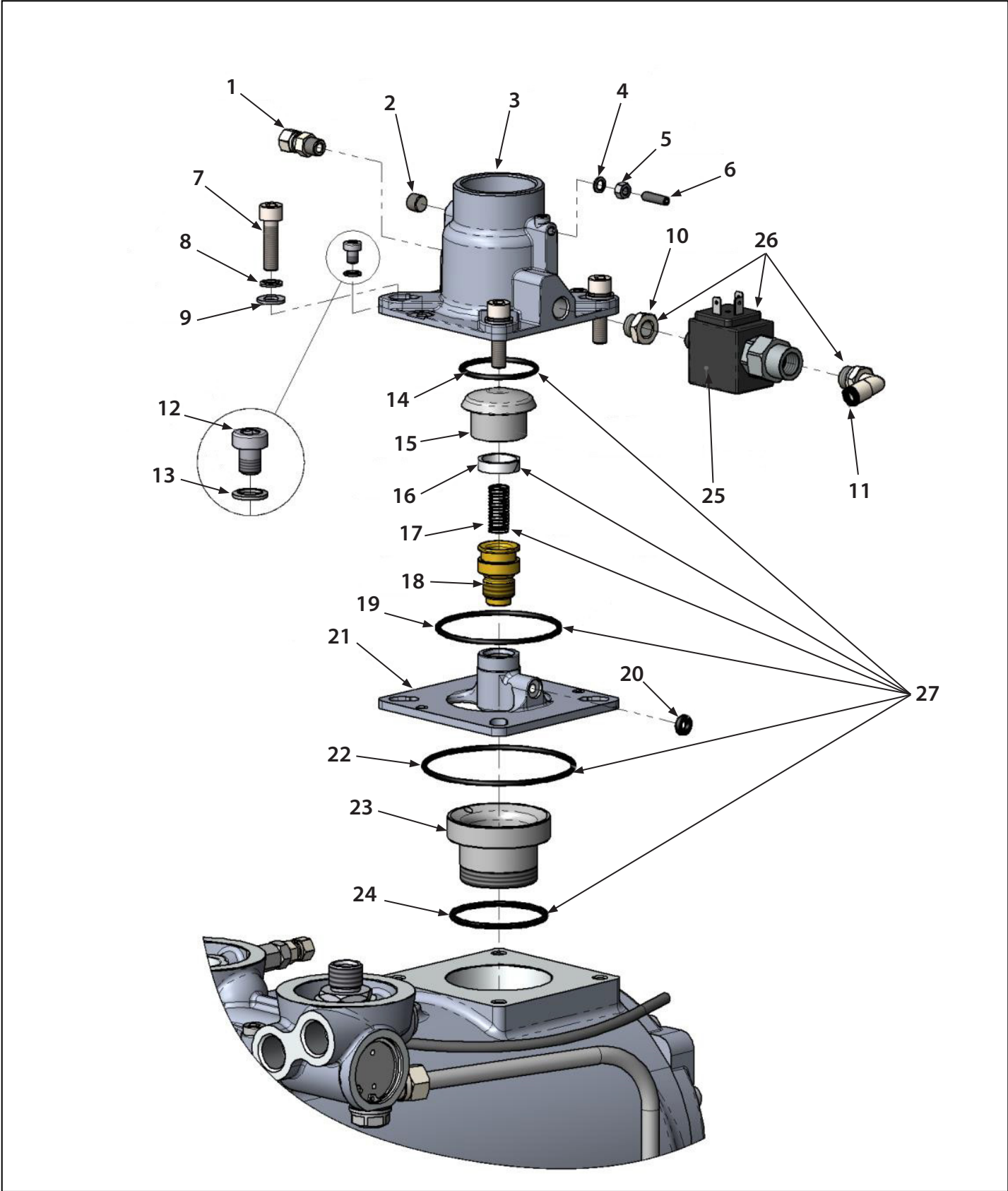
- 1. Oil nipples
- 2. Thermostatic and minimum pressure valve
- 3. Oil refilling cap
- 4. Oil level viewer
- 5. Separator Nipple
- 6. Front cover
- 7. Drive shaft
- 8. Separator tank
- 9. Check valve
- 10. Oil recovery pipe
- 11. Intake valve
- 12. Solenoid valve
- 13. Oil injection pipe

Separator Tank



Separator Tank			
#	Part Number	QTY	Description
1	IAT-VMC-700129	1	Viton O ring
2	IAT-VMC-700267	1	Viton O ring
3	IAT-VMC-700226	1	Tank gasket
4	IAT-VMC-600074	1	Separator tank
5	IAT-VMC-700075	1	Hex socket head plug steel zinc plated + Viton
6	IAT-VMC-700227	11	Hex socket head screw uni 9327 zinc. steel
7	IAT-VMC-700253	1	Oil sight glass
8	IAT-BPP-6001-12	1	Bonded seal washer steel + Viton
9	IAT-BPP-6408-HHP12EO	2	Hexagon socket head plug zinc. pl. steel + Viton
10	IAT-VMC-700252	1	Oil refill plug zinc. pl. Steel
11	IAT-VMC-200096	1	RS3.5 71° NY
12	IAT-RS3-IVC-1	1	12V DC Intake valve
	IAT-RS3-IVC-2	1	24V DC Intake valve
	IAT-RS3-IVC-3	1	110V AC Intake valve
	IAT-RS3-IVC-4	1	230V AC Intake valve
13	IAT-VMC-728.0001	1	RS3.5 Airend Core

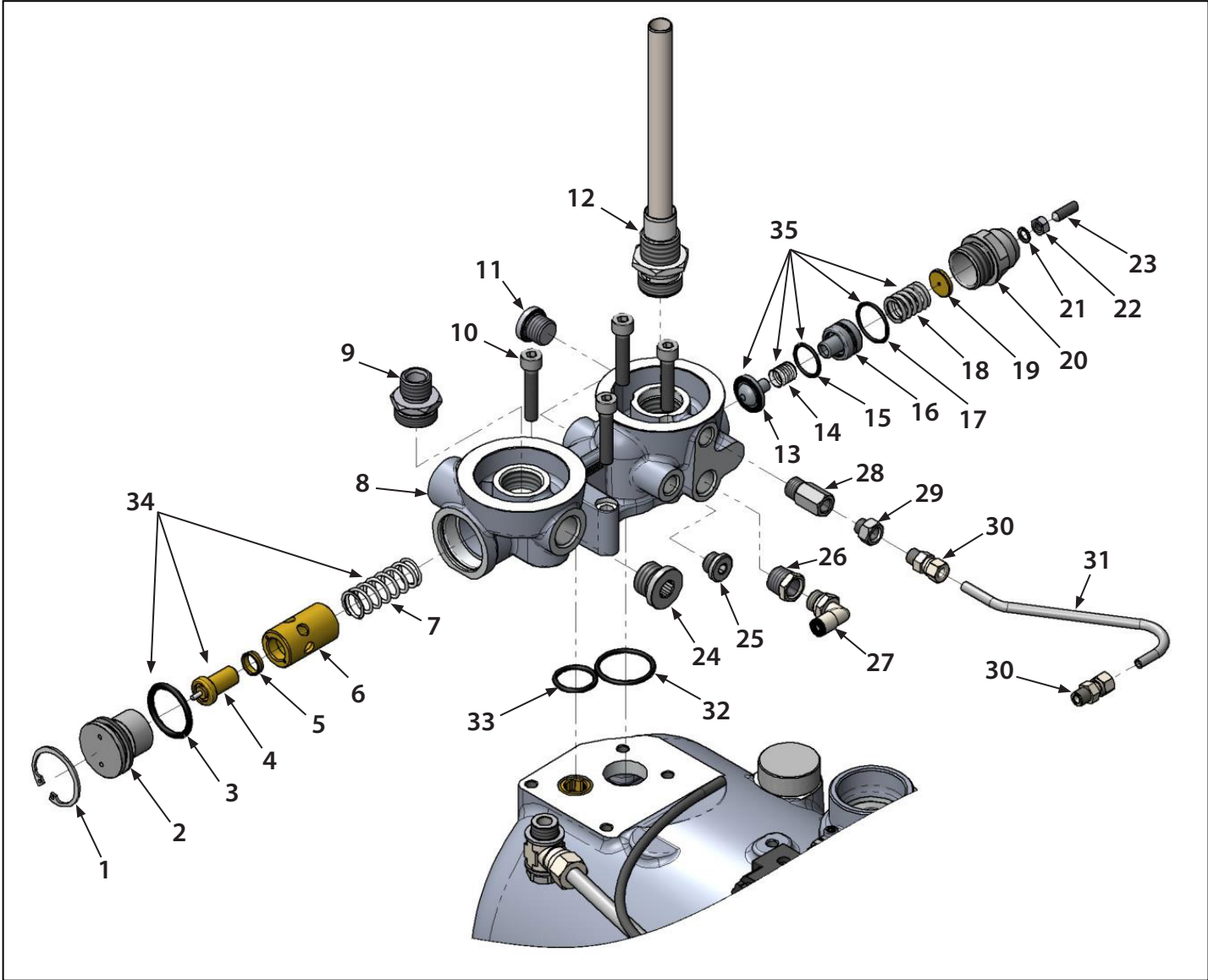
Intake Valve



Intake Valve

Intake Valve			
#	Part Number	QTY	Description
1	IAT-VMC-700248	1	Compression Fitting Nickel Plated Brass
2	IAT-VMC-100003	1	Flat Point Hex. Socket Set Screw Brass
3	IAT-VMC-100091	1	Upper Body Valve RH38E With O Ring
4	IAT-VMC-700239	1	Schnorr Washer Zinc Pl. Steel
5	IAT-VMC-700238	1	Nut Zinc. Plated Steel
6	IAT-VMC-700237	1	Hex Socket Set Screw Stainless Steel
7	IAT-VMC-700271	4	Socket Head Bolt Galvanized Steel
8	IAT-VMC-600062	4	Schnorr Washer
9	IAT-VMC-700236	4	Plane Washer Galvanized Steel
10	IAT-VMC-100092	1	Straight Reduction Nickel Plated Brass
11	IAT-VMC-100093	1	Swivel Elbow Fitt. Push In Nic. Pl.Brass (Viton)
12	IAT-VMC-700270	2	Socket Head Bolt Galvanized Steel
13	IAT-VMC-100094	2	Schnorr Washer
14	IAT-VMC-700177	1	Viton O ring
15	IAT-VMC-100090	1	Rh38 Throttle Alu.
16	IAT-VMC-700245	1	Cylinder Ring Ptf
17	IAT-VMC-700246	1	N.R. Spring Stainless Steel
18	IAT-VMC-700244	1	Piston Guide Whit Nr - Brass + Stainless Steel
19	IAT-VMC-700249	1	Viton O ring
20	IAT-VMC-700250	1	ORing Viton
21	IAT-VMC-100087	1	Lower Body Rh38E Anod. Alu.
22	IAT-VMC-700129	1	Viton O ring
23	IAT-VMC-100088	1	Intake Cylinder ADAM75
24	IAT-VMC-700251	1	JF Seal Ring Viton
25	IAT-RS3-IV-CO-1	1	12V DC Inlet valve coil
	IAT-RS3-IV-CO-2	1	24V DC Inlet valve coil
	IAT-RS3-IV-CO-3	1	110V AC Inlet valve coil
	IAT-RS3-IV-CO-4	1	230V AC Inlet valve coil
26	IAT-RS3-IV-SOL-ASY	1	Complete stainless solenoid valve body
27	IAT-RS3-IVC-RBK-4-0-1-2	1	Rebuild kit for RS3.5 inlet valve

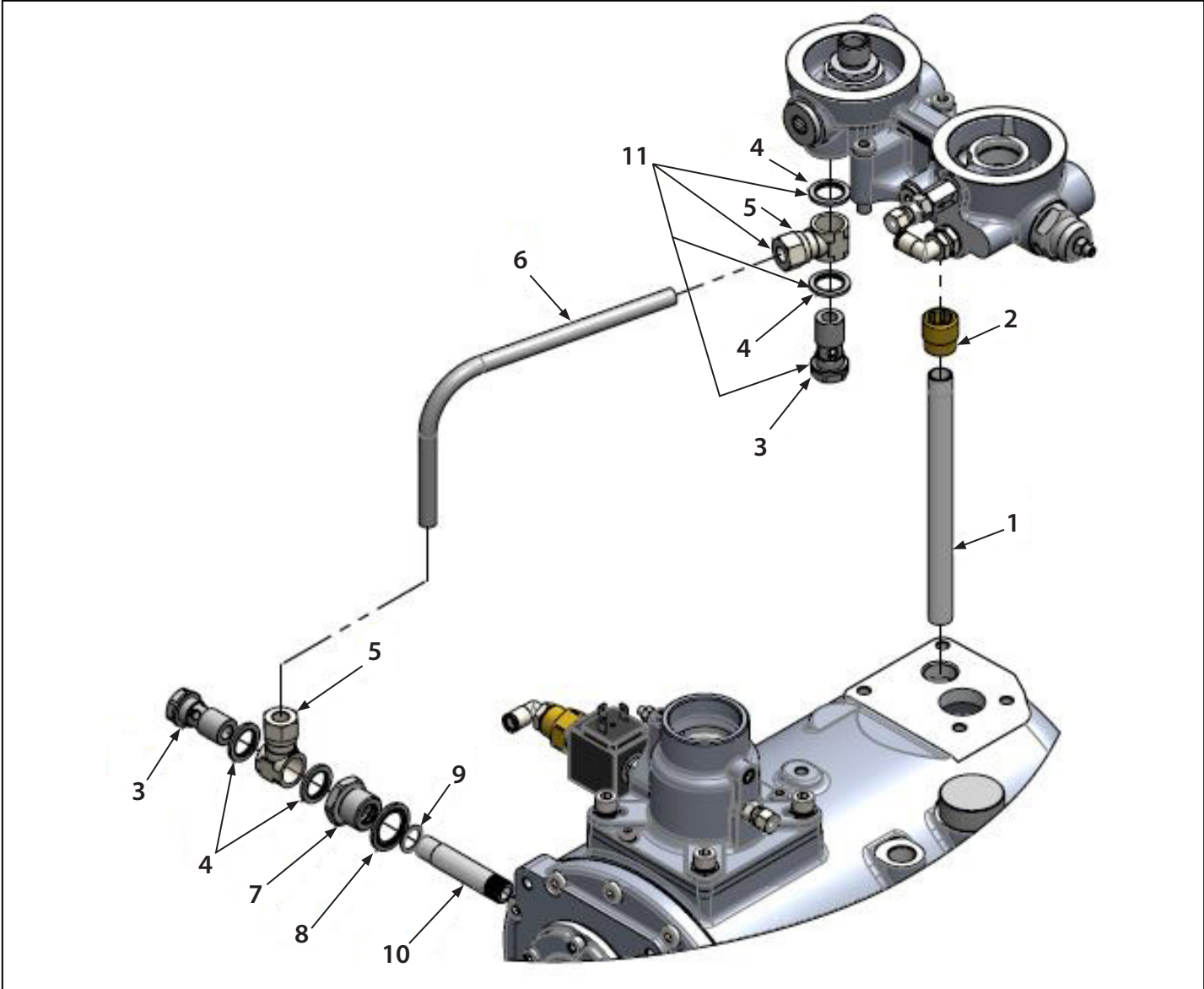
Thermostatic and Minimum Pressure Valve



Thermostatic and Minimum Pressure Valve

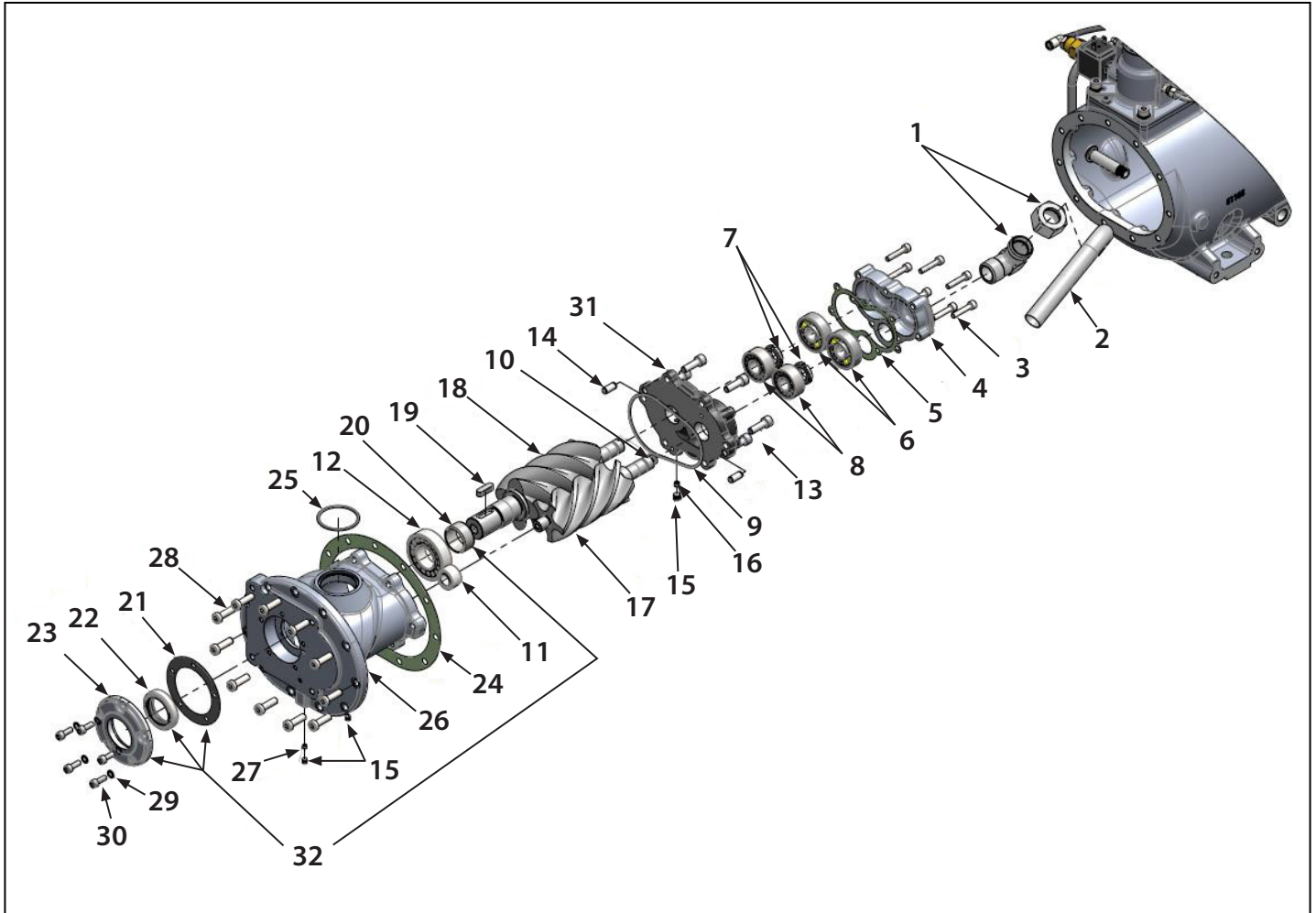
Thermostatic and Minimum Pressure Valve			
#	Part Number	QTY	Description
1	IAT-VMC-100053	1	Seeger ring steel
2	IAT-VMC-200014	1	VTDM192939x thermostatic cap with O ring
3		1	Viton O ring
4	IAT-VMC-200070	1	Thermal actuator 71°
5	IAT-VMC-200013	1	Thermal actuator bushing brass
6	IAT-VMC-200018	1	Vtvtft25/27 piston brass
7	IAT-VMC-700170	1	Spring vtvtf20/vtft25 steel
8	IAT-VMC-200094	1	Body valve VTDM19 "up" series anod. alu.
9	IAT-VMC-200006	1	Oil filter nipple zinc. steel
10	IAT-VMC-700262	4	Socket head screw steel zinc. plated
11	IAT-VMC-700075	1	Hex. Socket head plug steel zinc + Viton
12	IAT-VMC-200055	1	Complete separator nipple m24 steel
13	IAT-VMC-700263	1	M.P.V. G10 poppet stainless steel
14	IAT-VMC-500027	1	M.P.V. G10 poppet spring stainless steel
15	IAT-VMC-700264	1	Viton O ring
16	IAT-VMC-500032	1	G10 M.P.V. piston stainless steel
17	IAT-VMC-700142	1	Viton O ring
18	IAT-VMC-700265	1	V.M.P. G20 piston spring stainless steel
19	IAT-VMC-500031	1	Spring slide g10 brass
20	IAT-VMC-700266	1	V.M.P. G10 cylinder anod. alu.
21	IAT-VMC-100094	1	Schnorr washer
22	IAT-VMC-700272	1	Hex. nut zinc. plated steel
23	IAT-VMC-700273	1	Hex. socket screw cone point zinc. steel
24	IAT-VMC-700140	1	Hex. socket head plug zinc steel + seal Viton
25	IAT-VMC-700208	1	Hex. socket head plug zinc steel + seal Viton
26	IAT-VMC-700261	1	Reducing adapter male female nickel brass
27	IAT-VMC-100093	1	Swivel elbow fitt. push-in nickel plated brass (Viton)
28	IAT-VMC-728.0090	1	N.R. Valve anod. aluminum
29	IAT-VMC-700196	1	Calibrated nozzle stainless steel
30	IAT-VMC-700248	1	Compression fitting nickel plated brass
31	IAT-VMC-700260	1	Recovery oil pipe zinc. steel
32	IAT-VMC-700160	1	Viton O Ring
33	IAT-VMC-700163	1	Viton O Ring
34	IAT-VMC-270.1380	1	Therموالve kit 160°F / 71°C
35	IAT-VMC-220.0010	1	Minimum pressure valve repair kit

Thermostatic and Minimum Pressure Valve Tank Connections



Thermostatic and Minimum Pressure Valve Tank Connections			
#	Part Number	QTY	Description
1	IAT-VMC-900259	1	Oil dip pipe steel
2	IAT-VMC-700229	1	Pipe reducing adapter brass
3	IAT-VMC-700232	2	Fitting socket head screw 3/8" zinc. steel
4	IAT-VMC-700230	4	Bonded seal washer zinc. steel
5	IAT-VMC-700231	2	Adjustable ring fitting nickel brass
6	IAT-VMC-900260	1	Oil return pipe zinc. steel
7	IAT-VMC-700233	1	Oil return connector zinc. steel
8	IAT-VMC-700234	1	Bonded seal washer zinc. steel
9	IAT-VMC-700235	1	Viton O ring
10	IAT-VMC-900261	1	Tank/Airend connection pipe
11	IAT-VMC-728.0092	1	Oil return pipe kit

Airend



Airend

Airend			
#	Part Number	QTY	Description
1	IAT-VMC-600073	1	Fitting junction elbow zinc. steel
2	IAT-VMC-900246	1	Separator pipe zinc. steel
3	IAT-VMC-700218	7	Hexagon socket head screw zinc. steel
4	IAT-VMC-900258	1	Bearing cover aluminum
5	IAT-VMC-100086	1	Bearing cover gasket
6	IAT-VMC-900247	2	Thrust ball bearing steel
7	IAT-VMC-700219	2	Shaft lock nut steel
8	IAT-VMC-900248	2	Roller bearing steel
9	IAT-VMC-700176	1	Viton O ring
10	IAT-VMC-700220	1	Viton O ring
11	IAT-VMC-900250	1	Needle roller bearing steel
12	IAT-VMC-900249	1	Roller bearing steel
13	IAT-VMC-700200	6	Hexagon socket head screw zinc. steel
14	IAT-VMC-700222	2	Parallel pin steel
15	IAT-VMC-700224	3	Sealing plug steel
16	IAT-VMC-700223	1	Nozzle ø1.5 stainless steel
17	IAT-VMC-900251	1	Female rotor V75X steel
18	IAT-VMC-900252	1	Male rotor V75X steel
19	IAT-VMC-900255	1	Shaft key UNI6604 steel
20	IAT-VMC-700225	1	Inner ring ir ø30xø35x17
21	IAT-VMC-700228	1	Front cover gasket v75x
22	IAT-VMC-900254	1	Shaft seal CCW steel +PTFE
23	IAT-VMC-900253	1	Front shaft cover V75X aluminum
24	IAT-VMC-700226	1	Tank gasket
25	IAT-VMC-700267	1	Viton O ring
26	IAT-VMC-900256	1	Airend body aluminum
27	IAT-VMC-700269	1	Calibrated nozzle stainless steel
28	IAT-VMC-700227	11	Lowered hexagon socket head cap screw m8x25
29	IAT-VMC-100094	5	Schnorr washer steel
30	IAT-VMC-600064	5	Hexagon socket head screw zinc. Steel
31	IAT-VMC-900257	1	Bearing housing cast iron
32	IAT-VMC-940.0649	1	Shaft seal kit



Compressed Air Systems, LLC

600 S 2nd Ave
Mansfield, TX, 76063
1-800-531-9656
Fax 972-352-6364

Simplicity. It's What We Do.