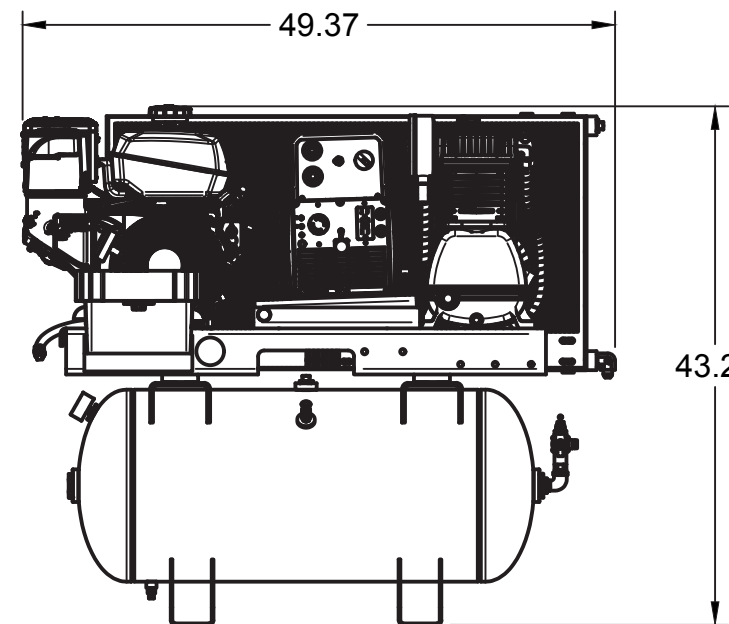
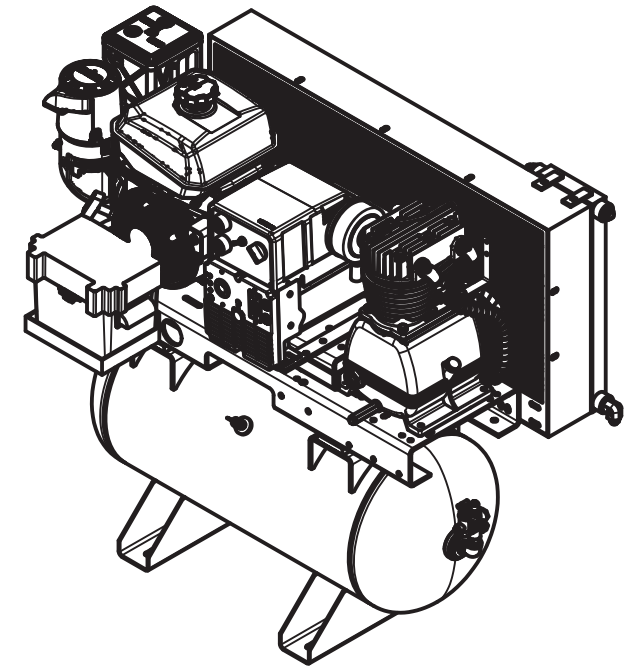
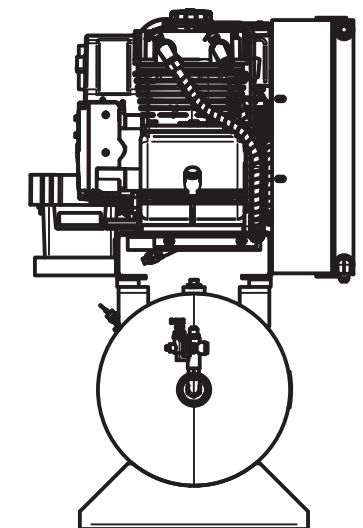


TOP VIEW



FRONT VIEW



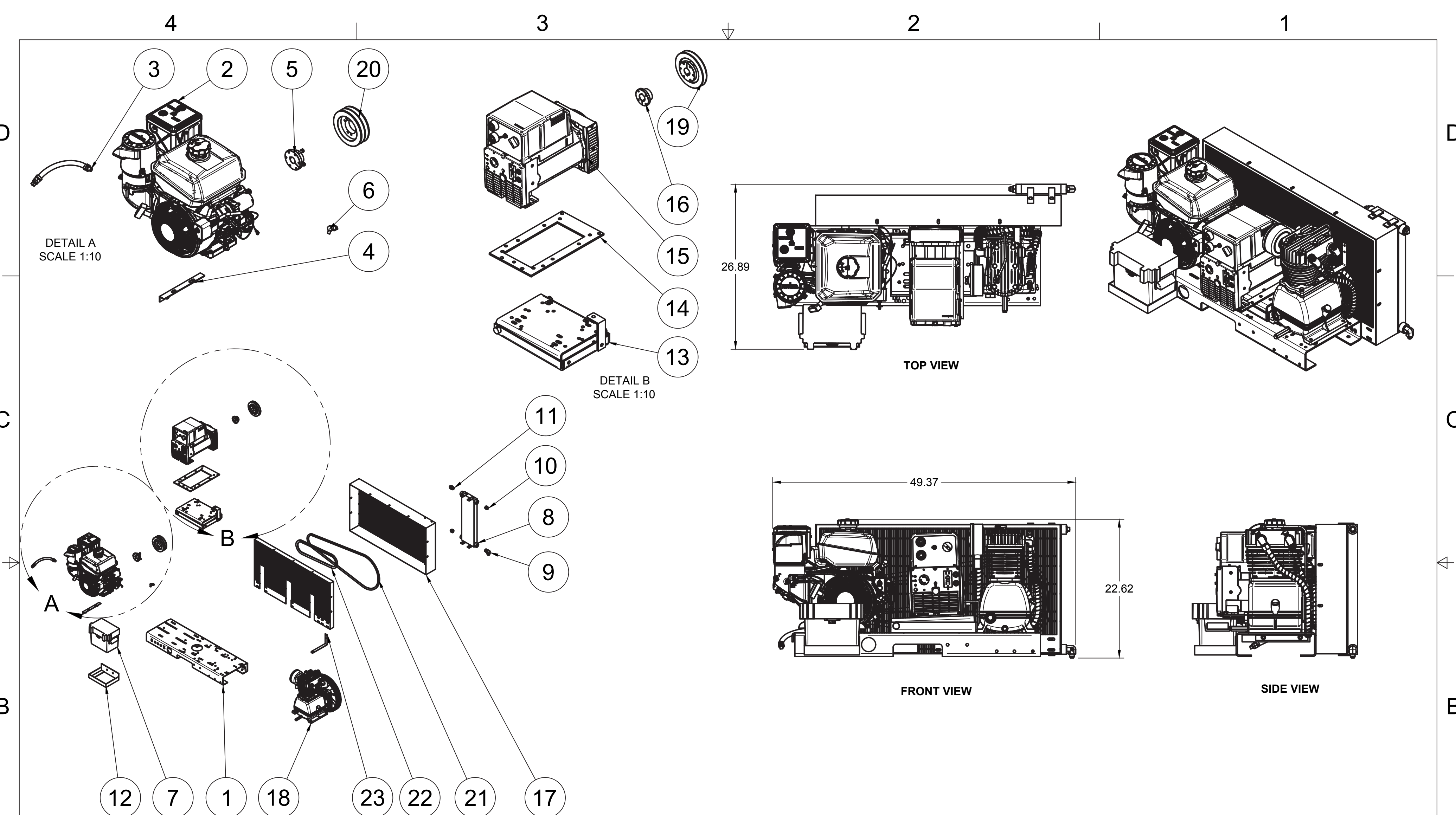
SIDE VIEW

PARTS LIST			
ITEM	QTY	PART NUMBER	DESCRIPTION
1	1	IAT-T30HGW-LH	30 GAL HORIZ GAS BASIC GWD LH
2	1	IAT-C143-GWE	14HP KOHLER E GENWELD SKID

**TANK DISCHARGE  
OUTLET SIZE: 3/4"**

TOLERANCES:	
.X = 0.01	
.XX = 0.001	
.XXX = 0.0001	
REV:	0
SHEET:	1/3

<b>SCALE:</b>	1:16	<b>ASSEMBLY:</b>	CAS-C140GEC33-GW
		<b>DESCRIPTION:</b>	14 HP KOHLER GW
		<b>DRAWN BY:</b>	SEAN BANCOD
		<b>DATE:</b>	4/24/2025
		<b>OWNER:</b>	Compressed Air Systems
		Unless specified, dimensions are in inches Property of CAS, do not alter, copy or distribute without prior consent.	



DETAIL A  
SCALE 1:10

DETAIL B  
SCALE 1:10

TOP VIEW

FRONT VIEW

SIDE VIEW

PARTS LIST


PARTS LIST

ITEM	QTY	PART NUMBER	DESCRIPTION
1	1	IAT-TP40BKWR (CURRENT)	40IN TOP PLATE
2	1	IAT-CH440	14HP KOHLER ENGINE
3	1	IAT-OIL-DRAIN	OIL DRAIN
4	1	IAT-MOTOR-ADJST BRKT	MOTOR ADJUSTMENT BRACKET
5	1	IAT-LPH1HUB	1"H HUB
6	1	IAT-TCSP-H-5565-B	5.5 HP HONDA THROTTLE CONTRO
7	1	IAT-BATTERY BOX SM	BATTERY BOX SMALL
8	1	IAT-M-12-AL	BELT GUARD COOLER 48 CFM
9	1	IAT-2501-08-12-O	3/4 MP X 1/2 M JIC 90 DEG R IN
10	2	IAT-PF3/4PLUG	3/4" PLUG
11	1	IAT-2404-08-12-O	3/4MP X 1/2 M JIC STRAIGHT OR
12	1	IAT-BATTERY PLATE	BATTERY PLATE

ITEM	QTY	PART NUMBER	DESCRIPTION
13	1	IAT-184-215TMP	184-215T MOTOR PLATE
14	1	IAT-GENWELDBRACKET-V3	NEWER GEN WELD BRACKET
15	1	IAT-EW240MDC	240 AMP WELDER GENERATOR
16	1	IAT-LX24MM	H24MM HUB
17	1	IAT-40X21X5-V1	BELTGUARDGEN/WELD #3-04
18	1	IAT-LH4TB	5 HP BARE PUMP TWO STAGE
19	1	IAT-BK57H	PULLEY
20	1	H-2B54-S-1	PULLEY
21	1	IAT-B80 V1	BELT
22	1	IAT-BX41 V1	COGGED B BELT 43
23	1	IAT-1/8X1X12	STRAP BELT GUARD

TOLERANCES:  
 .X = 0.01  
 .XX = 0.001  
 .XXX = 0.0001

REV: 0  
 SHEET: 2/3

SUBASSEMBLY: IAT-C143-GW	ASSEMBLY: CAS-C140GEC33-GW
	DESCRIPTION: 14HP KOHLER LH4 GENWELD SKID
	DRAWN BY: SEAN BANCOD
	DATE: 4/24/2025
OWNER: Compressed Air Systems	
Unless specified, dimensions are in inches	
Property of CAS, do not alter, copy or distribute without prior consent.	

4 3 2 1

D

D

C

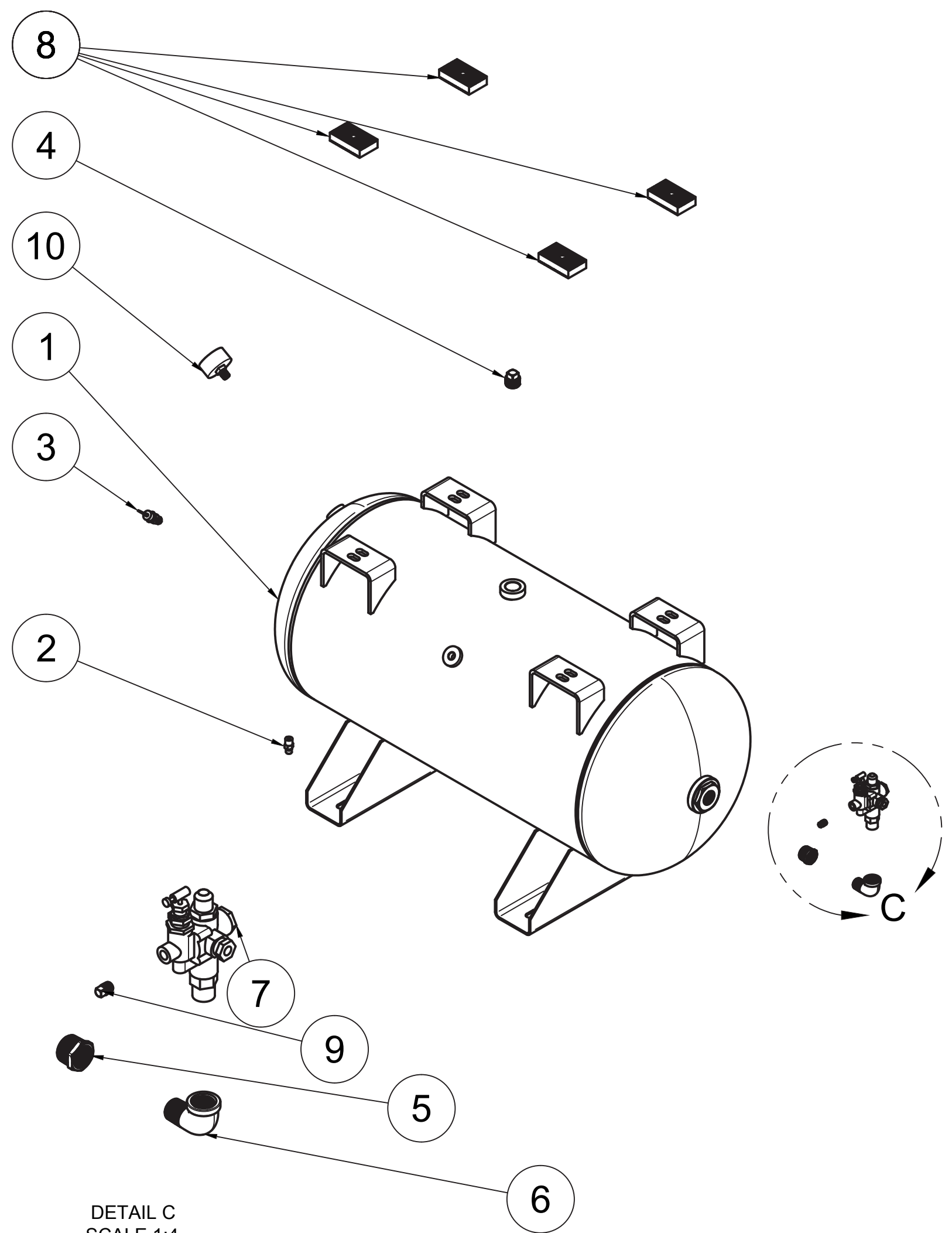
C

B

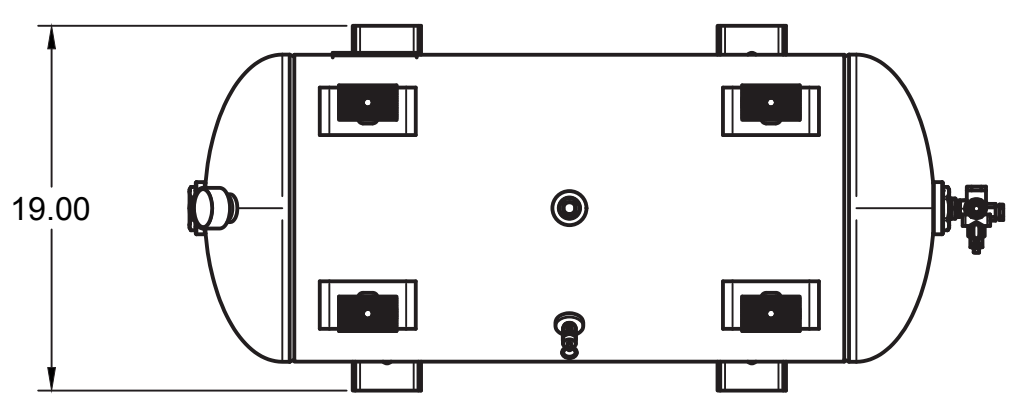
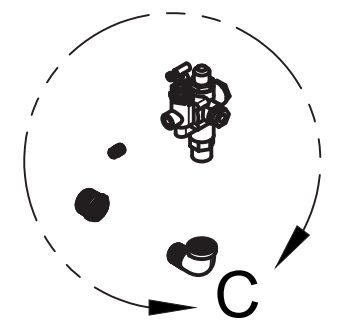
B

A

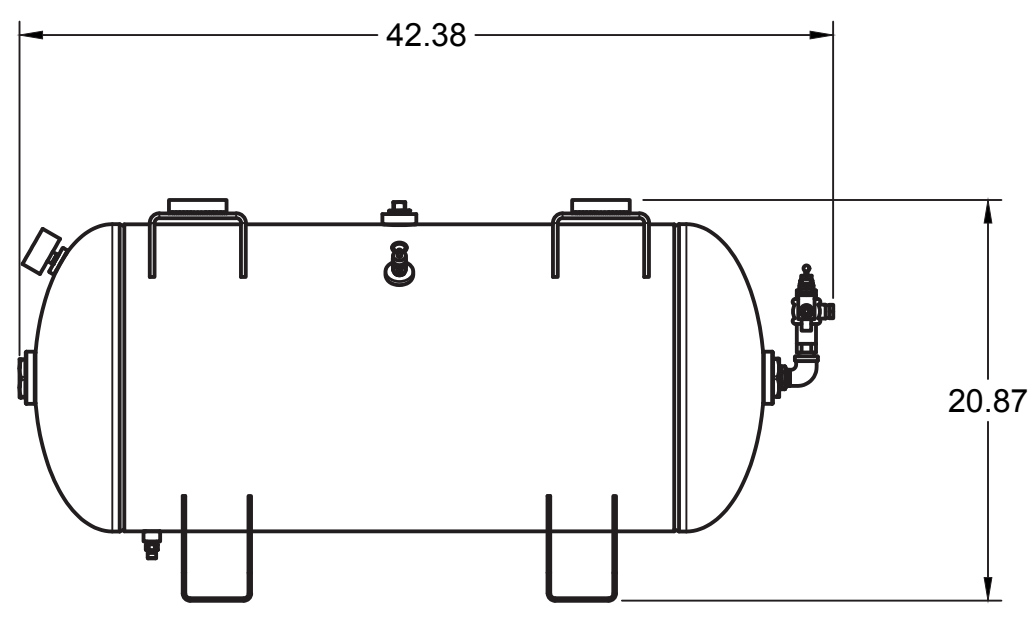
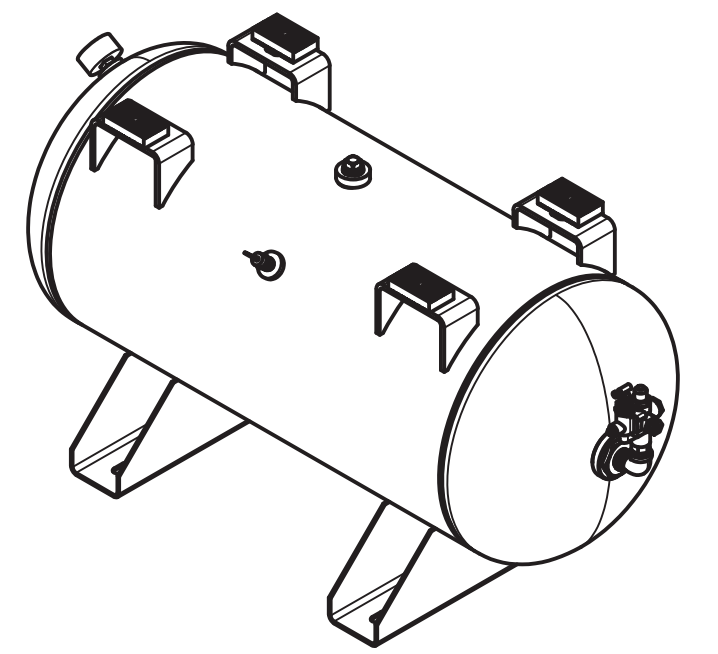
A



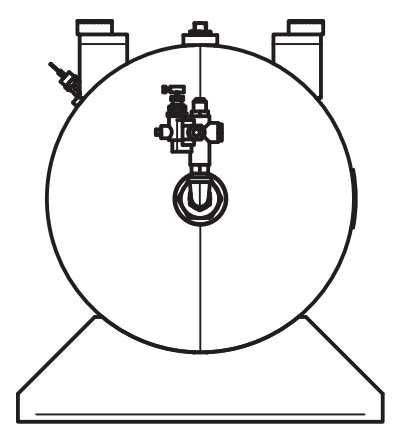
DETAIL C  
SCALE 1:4



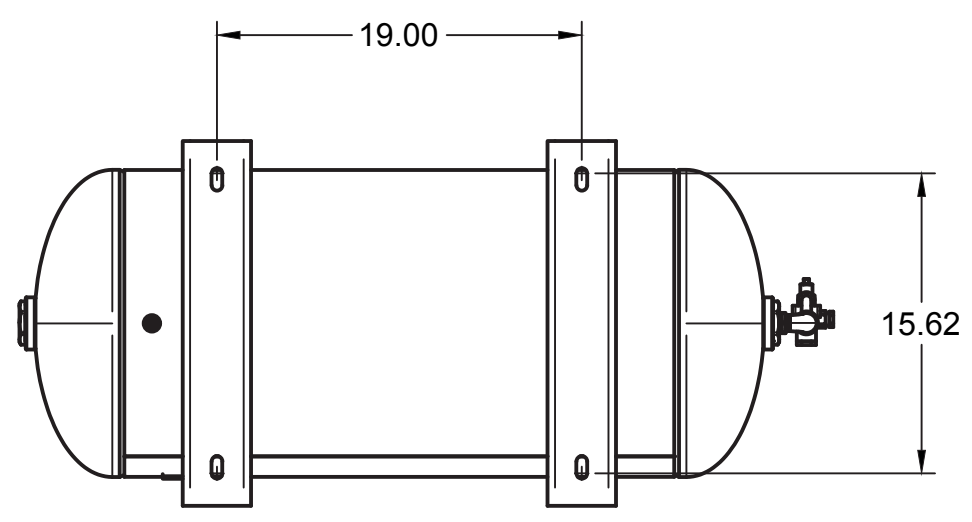
TOP VIEW



FRONT VIEW




SIDE VIEW



BOTTOM VIEW

PARTS LIST			
ITEM	QTY	PART NUMBER	DESCRIPTION
1	1	IAT-30HNTP-BKWR-R4	30 GALLON TANK
2	1	IAT-BDC604-04	1/4 PIPE DRAIN COCK
3	1	IAT-ST25-200	SAFETY VALVE 200 PSI
4	1	IAT-PF3/4PLUG	3/4" PLUG
5	1	IAT-PF3/4X1/2REDUCE	3/4X1/2 REDUCER GALV
6	1	IAT-PF1/2X90STREET	1/2" STREET 90 DEG
7	1	IAT-NG-49-95-125	PILOT VALVE 95-125 1/2" JIC
8	4	IAT-3X1.8X.7D	RUBBER PAD FOR TOP PLATES
9	1	IAT-109-2	1/8 BRASS PLUG
10	1	IAT-PSB20	AIR GAUGE BACK MT 1/4

TOLERANCES:  
 .X = 0.01  
 .XX = 0.001  
 .XXX = 0.0001  
 REV: 0  
 SHEET: 3/3

SUBASSEMBLY: IAT-T30HGW-LH	ASSEMBLY: CAS-C140GEC33-GW
	DESCRIPTION: 30 GAL HORIZ GAS BASIC GW LH
	DRAWN BY: SEAN BANCOD
	DATE: 4/24/2025
OWNER: Compressed Air Systems	
Unless specified, dimensions are in inches	
Property of CAS, do not alter, copy or distribute without prior consent.	

4 3 2 1