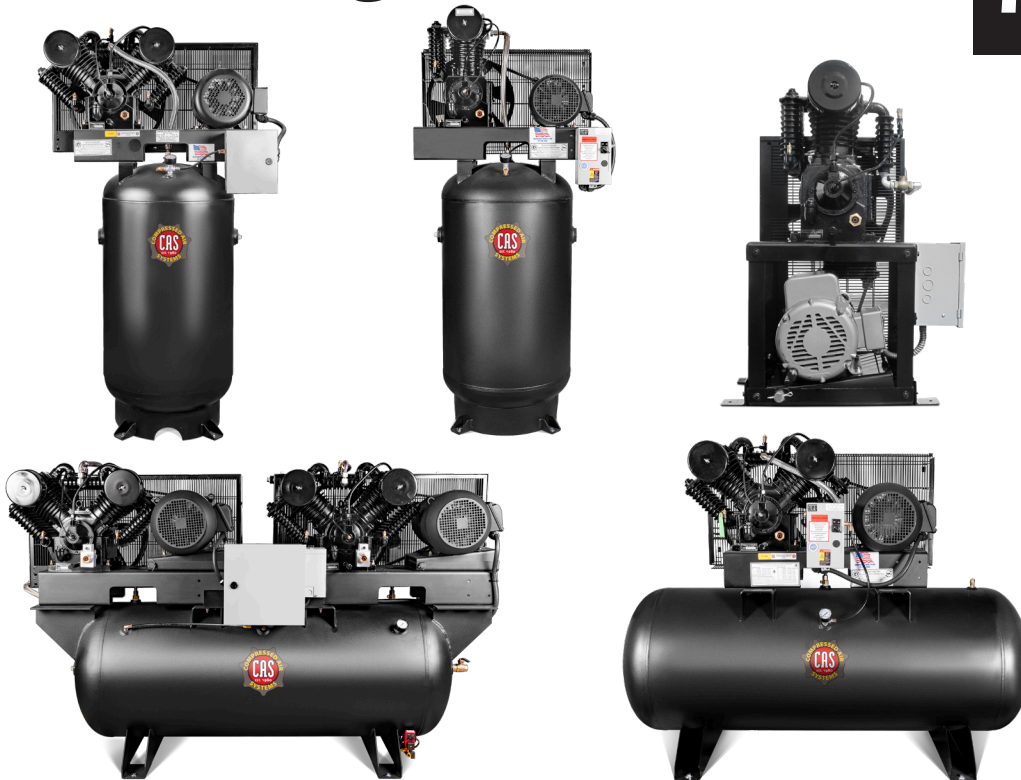


7.5, 10, 15 HP Electric Reciprocating Compressors

Owner's Manual



Congratulations on the purchase of your new air compressor. It is precision-built from the finest materials, using state-of-the-art design and the most advanced engineering available today. Expect reliable operation, consistent performance, and air power exactly when you need it.

Check www.compressed-air-systems.com for most up to date manual and compressor service and technical information

Read this manual carefully before operating or servicing this air compressor to familiarize yourself with the proper safety, operation, and standard operating procedures of this unit.

Failure to comply with instructions in this manual could result in the voiding of your warranty, and personal injury, and/or property damage.

The manufacturer of this air compressor will not be liable for any damage because of failure to follow the instructions in this manual.

By following the instructions and recommendations in this manual you will ensure a longer and safer service life of your air compressor.

NOTICE: All air compressors must be installed by a qualified and trained technician.

If you need a qualified technician, call 800-531-9656 or 972-352-6304. Improper installation may result in damage to the compressor, personal injury, and will void the warranty of the compressor package.

If you have questions or need clarification about this manual or your compressor call 800-531-9656

Do not operate compressor outdoors in wet weather

Compressed Air Systems

Simplicity. It's What We Do.

compressed-air-systems.com | 1-800-531-9656 | Fax 972-352-6364

© Compressed Air Systems, LLC



Scan to find installation guides,
repair guides, manuals, and more.



Contents

Additional Information..... 2
Safety Precautions and Warnings..... 3

Installation

Description of a Compressor..... 9
Receiving and Uncrating Your Compressor 10
Compressor Installation 11
Installation Diagram..... 12
Startup Preparation and Procedures..... 13

Maintenance

Stopping for Maintenance or Service 14
Maintenance Procedures..... 15
 Daily 15
 Weekly 15
 Monthly..... 15
 Every 3 Months/500 Hours 15
 Elite Units 15
 Long Term Storage..... 15
Maintenance Log..... 16
Adjusting Belt Tension & Pulley Alignment 17
Self Tensioning Belt Rocker Plates..... 18

Other

Troubleshooting Common Issues 19
National Electric Code Guidelines 22
Notes..... 23
Parts Diagrams 26
Warranty 30
Installation Sheet..... 31

Additional Information

For compressor pump information, see pump specific manual.

For installation instructions, see Install Guide.

For compressor package wiring diagram, contact manufacturer.

For compressor parts breakdown, see website (compressed-air-systems.com) or contact compressor manufacturer.

On electric driven compressors, always follow NEC (National Electric Code) and any local applicable code that exceeds NEC guidelines. On gas/diesel engine driven packages, follow engine manufacturer guide for proper placement and installation of engine driven equipment.

Industrial pressure lubricated reciprocating compressors are designed with an 80% duty cycle. Continuously exceeding the duty cycle will cause premature operational components failure that may not be covered under warranty. Industrial pressure lubricated reciprocating air compressors should not have continuous run times longer than 45 minutes without being off for 12 minutes prior to coming back on line. If you need help sizing the compressor to your application, please contact your local qualified air compressor sales engineer for help selecting the right air compressor for your application.

NOTICE: Air compressors must be installed by trained installation personnel. Installation sheets must be sent back in for warranty activation. If you need help finding a qualified technician to properly perform installation, call 800-531-9656 or 972-352-6304.

WARNING: Read all installation steps in install guide, and compressor package manual prior to uncrating or installing compressor package. Failure to do so can result in personal injury or damage to compressor package.

NOTICE: All compressor air receivers should be inspected by a certified pressure vessel technician at least once per year, to check for leaks, weak points in the metal or any other deformity of the air receiver. If at any time a receiver appears out of conformance with ASME/CRN certification or a deformity is believed to have developed, no matter how minor it may appear the tank should be locked out of service immediately and replaced with a certified ASME/CRN certified air receiver immediately before the compressor can be put back into service. The receivers should have a general inspection weekly as part of normal service.

SAFETY PRECAUTIONS AND WARNINGS

Listed are some, but not all safety precautions that must be observed with compressors and compressed air systems. Failure to follow any of these warnings may result in severe personal injury, death, property damage and/or compressor damage.

Air from this compressor will cause severe injury or death if used for breathing or food processing.

Air used for these processes must meet OSHA 29 CFR 1910 or FDA 21 178.3570 regulations.

This compressor is designed for use in the compression of normal atmospheric air only.

No other gases, vapors or fumes should be exposed to the compressor intake, nor processed through the compressor.

Disconnect all power supplies to the compressor plus any remote controllers prior to servicing the unit.

Relieve all pressure internal to the compressor prior to servicing.

Do not depend on check valves to hold system pressure.

A properly sized safety valve must be installed in the discharge piping ahead (upstream) of any shut-off valve (block valve), heat exchanger, orifice or any potential blockage point. Failure to install a safety relief valve could result in rupturing or explosion of some compressor or safety component.

Do not change the pressure setting of the safety relief valve, restrict the function of the safety relief valve, or replace the safety valve with a plug.

Over pressurization of some system or compressor component can occur, resulting in severe personal injury, death and property damage.

Never use plastic pipe, rubber hose, or soldered joints in any part of the compressed air system.

Failure to ensure system compatibility with compressor piping is dangerous.

Never use a flammable or toxic solvent for cleaning the air filter or any parts.

Do not attempt to service any parts while the compressor is operating.

Do not operate the compressor at pressures in excess of its rating.

Do not remove any guards while the compressor is operating.

Observe gauges daily to ensure compressor is operating properly.

Follow all maintenance procedures and check all safety devices on schedule.

Compressed air is dangerous, do not play with it.

Use the correct lubricant at all times.

Always wear proper safety equipment when using compressed air.

Always install compressor to all local applicable electric codes.

WARNING: Always wear proper protective eye wear, hearing protection and safety clothing when working around the compressor package. No loose or baggy clothing should be worn around compressor package at any time.

WARNING: On electric motor powered air compressors make sure electrical system is up to National Electric Code (NEC) prior to installing compressor system. Failure to install a compressor with a proper NEC electrical system can cause personal injury, compressor package damage and void compressor package warranty.

NOTICE: To ensure full compressor tank warranty all tank mounted compressor packages must be mounted on factory approved vibration isolation pads. A compressor should NEVER be installed while still on or in its original packaging. Failure to properly install the compressor system with approved vibration isolation pads will result in the compressor tank warranty being void.

WARNING: Compressed Air Systems compressors can operate at pressures from 0-250 PSI depending on the compressor package design and build specifications. Always verify that the system the compressor is installed into can handle the maximum operational pressure the compressor. NEVER install a compressor in a system that can not handle the compressors maximum operating pressure.

WARNING: Compressed air is extremely dangerous when not properly used or installed. Always make sure a trained compressed air professional has looked over the air system prior to use. Improper installation or use of compressed air can cause bodily injury or death. NEVER pressurize an object that was not designed to be pressurized. Pressurizing objects not properly engineered for the maximum operating pressure of the compressor system can cause bodily injury or death.

WARNING: Never apply air pressure to compressor crank case, always make sure crank case vent is clear and free from obstructions. Adding pressure to the crank case can cause serious bodily injury or death.

WARNING: Never operate a compressor in a moving vehicle or towable object in motion. Doing so can damage the compressor, compressor drive components, or auxiliary parts on the compressor package. Operating the compressor in a moving vehicle or towable object can cause serious bodily injury or death.

WARNING: Check function of safety valves, weekly to insure proper function, replace immediately if faulty or damaged.

WARNING: (Compressors Packaged with NEMA 7 Components)

Compressed Air Systems, LLC certifies that the electric motor, electrical enclosure and electrical conduit are rated for NEMA7/hazardous locations. (Only for applicable packages with NEMA7 added components)

Air compressors have multiple moving parts and potential points of contact that could create an ignition source. The compressor pumps are manufactured with ferrous metals and in some cases multiple moving parts can come in contact with one another causing an ignition source. Compressed Air Systems LLC does not guarantee this will not occur. Lack of maintenance or care can result in conditions that could also cause ignition sources.

Compressed Air Systems, LLC only guarantees that the electric motor, electrical enclosure and electrical conduit are rated for NEMA7 hazardous location. Compressed Air Systems LLC accepts no other responsibility for the rating of the package.



ASME coded pressure vessels must not be modified, welded, repaired, reworked or subjected to operation conditions outside the nameplate ratings. Such actions will negate code status, effect insurance status and may cause severe personal injury, death, and property damage.

PRESSURE VESSELS

Air receiver tanks and other pressure containing vessels such as, but not limited to, pulsation bottles, heat exchangers, moisture separators and traps, must be in accordance with ASME Boiler and Pressure Vessel Code Section VIII and ANSI B19.3 Safety Standards.




The installation, wiring, and all electrical controls must be in accordance with ANSI C1 National Electric Code, ANSE C2 National Electric Safety Code, state and local codes. All electrical work should be performed by a qualified electrician. Failure to abide by the national, state and local codes may result in physical and/or property damage.

ELECTRICAL

Before installation, the electrical supply should be checked for adequate wire size, breaker size, transformer size and capacity. During installation a suitable fused or circuit breaker disconnect switch should be provided. Where a 3 phase motor is used to drive a compressor, any unreasonable voltage unbalance between the legs must be eliminated and any low voltage corrected to prevent excessive current draw.


Compressors must be equipped with a properly wired magnetic motor starter or a pressure switch rated to carry the full motor current load. The coil which engages and disengages the contact points in the motor starter is controlled by the pressure switch. Never attempt to bypass the pressure switch or adjust it past the factory set pressure range. Improper installation of the electrical system can cause the motor to overheat or a short circuit to occur.

NOTICE: Air compressors must be installed by trained installation personnel. Installation sheets must be sent back in for warranty activation. If you need help finding a qualified technician to properly perform installation, call 800-531-9656 or 972-352-6304.

| | |
|--|--|
|  | <p>Electric power always exists inside the pressure switch when there is electric power at the compressor package. Either a qualified electrician should make the pressure adjustments or the electric power supply should be disconnected and locked out before making any adjustment.</p> <p>NEVER exceed the designed pressure for the system or overload the motor beyond its service factor.</p> <p>Failure to heed these warnings may result in serious injury or death, property damage and/or mechanical failure.</p> |
|--|--|

PRESSURE SWITCH

The pressure switch is automatic in operation and is adjusted to start and stop the unit at the minimum and maximum desired air receiver pressure by cutting in and out the power to the electric motor. On some models, the pressure switch incorporates a release valve, which releases air between the check valve located in the receiver and discharge valve in the head of the compressor.

| | |
|---|---|
|  | <p>Relieve compressor and system air pressure by opening the appropriate manual relief valve prior to servicing.</p> <p>Failure to relieve all system pressure may result in severe personal injury, death and property damage.</p> |
|---|---|

MANUAL RELIEF AND SHUTOFF VALVES

Install a manual relief valve to vent the compressor to atmosphere. In those instances where the air receiver tank services a single compressor, the manual relief valve can be installed on the receiver. When a manual shut-off valve, and a safety relief valve installed upstream from the manual relief valve. These valves are to be designed and installed as to permit maintenance to be performed in a safe manner. Never substitute a check valve for a manual shut-off valve (block valve) if the purpose is to isolate the compressor from a system for servicing.

NOTICE: Air compressors must be installed by trained installation personnel. Installation sheets must be sent back in for warranty activation. If you need help finding a qualified technician to properly perform installation, call 800-531-9656 or 972-352-6304.

NOISE

Noise is a potential health hazard that must be considered. There are local and federal laws specifying maximum acceptable noise levels that must not be exceeded. Most of the noise from a reciprocating compressor originates from the air inlet point. Excessive noise can be greatly reduced by installing an intake noise silencer. Intake noise silencers are available from the compressor manufacturer.

PIPING FITUP

Care must be taken to avoid assembling the piping in a strain with the compressor. It should line up without having to spring or twist into position. Adequate expansion loops or bends should be installed to prevent undue stresses at the compressor resulting from the changes between hot and cold conditions. Pipe support should be mounted independently of the compressor and anchored as necessary to limit vibration and prevent expansion strains.



Safety valves are to protect system integrity in accordance with ASME Codes and ANSI B19.3 safety standards. Failure to use safety valves of the proper capacity and pressure will cause severe personal injury or death.


NOTE: Standard motors are open drip proof with a maximum ambient temperature rating of 104°F. They are not suitable for salt laden, corrosive, dirty, wet, or explosive environments.

SAFETY VALVES: Safety valves are pressure relief valves and should be sized and purchased with a pressure setting to protect the weakest link in the system. Never change the pressure setting, only the safety valve manufacturer is qualified to make a change. Safety valves are to be placed ahead of any potential blockage point which includes but is not limited to, shutoff valves, heat exchangers, pulsation dampeners, and discharge silencers.



CAUTION


Failure to properly size, set and install pressure relief valves can be fatal.

| | |
|--|---|
|  | <p>Guards must be fastened in place before starting the compressor and never removed before cutting off and locking out the main power supply.</p> |
|--|---|

GUARDS

All mechanical action or motion is hazardous in varying degrees and needs to be guarded.

Guarding must be in compliance with OSHA Safety and Health Standards 29 CFR 1910.219 in OSHA manual 2206 and any state or local code.

| | |
|---|---|
|  | <p>Excessive speed of the compressor or driver can be lethal. Never operate the compressor beyond the manufacturer's recommendation.</p> <p>Bursting of the flywheel may be the greatest threat because the normal guard may not contain all the pieces.</p> <p>Crankshaft and connecting rod breakage is a possibility and compressor efficiency, valve life and bearing life will be abnormally reduced.</p> |
|---|---|

DRIVES

It is important that the compressor and motor pulleys are aligned properly and the V belt is correctly tensioned.

Improper pulley alignment and belt tension are causes for motor overloading, excessive vibration, and premature belt and/or bearing failure.

| |
|---|
| <p>Removal or painting over safety labels will result in uninformed conditions. This may result in personal injury or property damage. Warnings signs and labels must be provided with enough light to read, conspicuously located and maintained for legibility. Do not remove any warning, caution, or instructional material attached.</p> <p>Provisions should be made to have the instruction manual readily available to the operator and maintenance personnel. If for any reason any part of the manual becomes illegible or if the manual is lost, have it replaced immediately. The instruction manual should be periodically read to refresh one's memory, it may prevent a serious or fatal accident.</p> |
|---|

| |
|---|
| <p>NOTICE: Air compressors must be installed by trained installation personnel. Installation sheets must be sent back in for warranty activation. If you need help finding a qualified technician to properly perform installation, call 800-531-9656 or 972-352-6304.</p> |
|---|

Description of Compressor

WHAT IS A RECIPROCATING COMPRESSOR?

A reciprocating compressor is a piston type pump which develops pressure from the action of a piston moving through a cylinder. The cylinder(s) may be vertical, horizontal or angular.

When air is drawn in from the atmosphere and compressed to its final pressure in a single stroke, the compressor is referred to as a "single stage" pump. Single stage units normally are used in the 90 to 125 PSI range and are available as single or multi-cylinder (twin cylinder) compressors.

When the air drawn from the atmosphere is compressed first to an intermediate pressure, and then further compressed to a higher pressure, it is done in a "two stage" pump. These cylinders are unequal in size and the first stage always takes place in the larger, low pressure cylinder. From there it passes through the inner cooler to the smaller, high pressure cylinder. The cycle is completed as the air then moves through the after cooler and discharge line into the tank. Two stage compressors are generally used for pressure ranges from 100 to 175 PSI and deliver more air per horsepower at these pressures. This increase in efficiency is partially due to the heat dissipated as the air passes through the inner cooler.

Description Of Cooling

Our compressors are cooled by fan blades, incorporated into the driven sheave (pulley), blowing air across the intercooler, after cooler, and cylinder head.

Description Of Controls

Stop/Start Receiver or plant air system pressure is controlled within limits by a pressure switch automatically stopping and starting the compressor as the air pressure reaches a maximum preset pressure (cut out) and then drops to a minimum pressure (cut in).

Receiving and Uncrating of your Compressor

BEFORE UNCRATING THE COMPRESSOR THE FOLLOWING STEPS SHOULD BE TAKEN.

1. Immediately upon receipt of the equipment, it should be inspected for damage that may have occurred during shipment. If any damage is found, demand an inspection immediately by an inspector from the carrier. Ask them how to file a claim for damages.
2. Insure that adequate lifting equipment is available for moving the machinery. Never attempt to move compressor without proper lifting equipment.
3. Read the compressor nameplate to be sure the compressor is the model and size ordered.
4. Read the motor nameplate to be sure the motor is compatible with your electrical conditions. (Volts-Phase-Hertz).

IMPORTANT: If voltage supplied to the compressor is below 208 volts, the unit needs a 200 Volt drive motor. A 208-230-460 Volt motor should not be used below 208 volts.

NOTE: Standard motors are open drip proof with a maximum ambient temperature rating of 104°F. They are not suitable for salt laden, corrosive, dirty, wet, or explosive environments.



CAUTION

Improper lifting can result in component or system damage or personal injury.

Follow good shop practices and safety procedures.



CAUTION

Under no circumstances should a compressor be placed in an area that may be exposed to a flammable, toxic, volatile or corrosive atmosphere nor should flammable, toxic, volatile or corrosive agents be stored near the compressor.

NOTICE: Air compressors must be installed by trained installation personnel. Installation sheets must be sent back in for warranty activation. If you need help finding a qualified technician to properly perform installation, call 800-531-9656 or 972-352-6304.

Compressor Installation

LOCATION

Locate the compressor in an indoor area that is clean, dry, well lit, and well ventilated, with sufficient space for safe and proper inspection and maintenance. Ambient temperatures should not exceed 104°F or fall below 30°F unless an electric motor rated for a higher temperature is used. Inspection and maintenance checks are required daily, therefore, ample space is required around the compressor.

The compressor must not be installed closer than 18 inches from a wall or from another compressor to allow ample circulation of air across the compressor cylinders and head, and through the coolers if they are part of the system. Additional safety can be achieved by locating the pulley guard next to the wall.

MOUNTING

The use of the factory supplied rubber vibration isolation pads, or other factory supplied vibration isolation mounting equipment is required for tank warranty from the original tank manufacturer. The compressor should never be left on original shipping material for installation. If a shim is required to level the unit, place it between the pad and floor. If you bolt the unit to the floor, use the bolts as guide pins and do not tighten the bolts. The rubber pads are used to absorb machine vibration and cannot work effectively if bolted tightly.

INDUCTION SYSTEM

Do not locate the compressor where it could ingest or ignite toxic, explosive or corrosive vapors, ambient air temperatures exceeding 110°F, water, or extremely dirty air. Ingestion of any of the above noted atmospheres by the compressor could jeopardize the performance of the equipment and all personnel exposed to the total compressed air system.

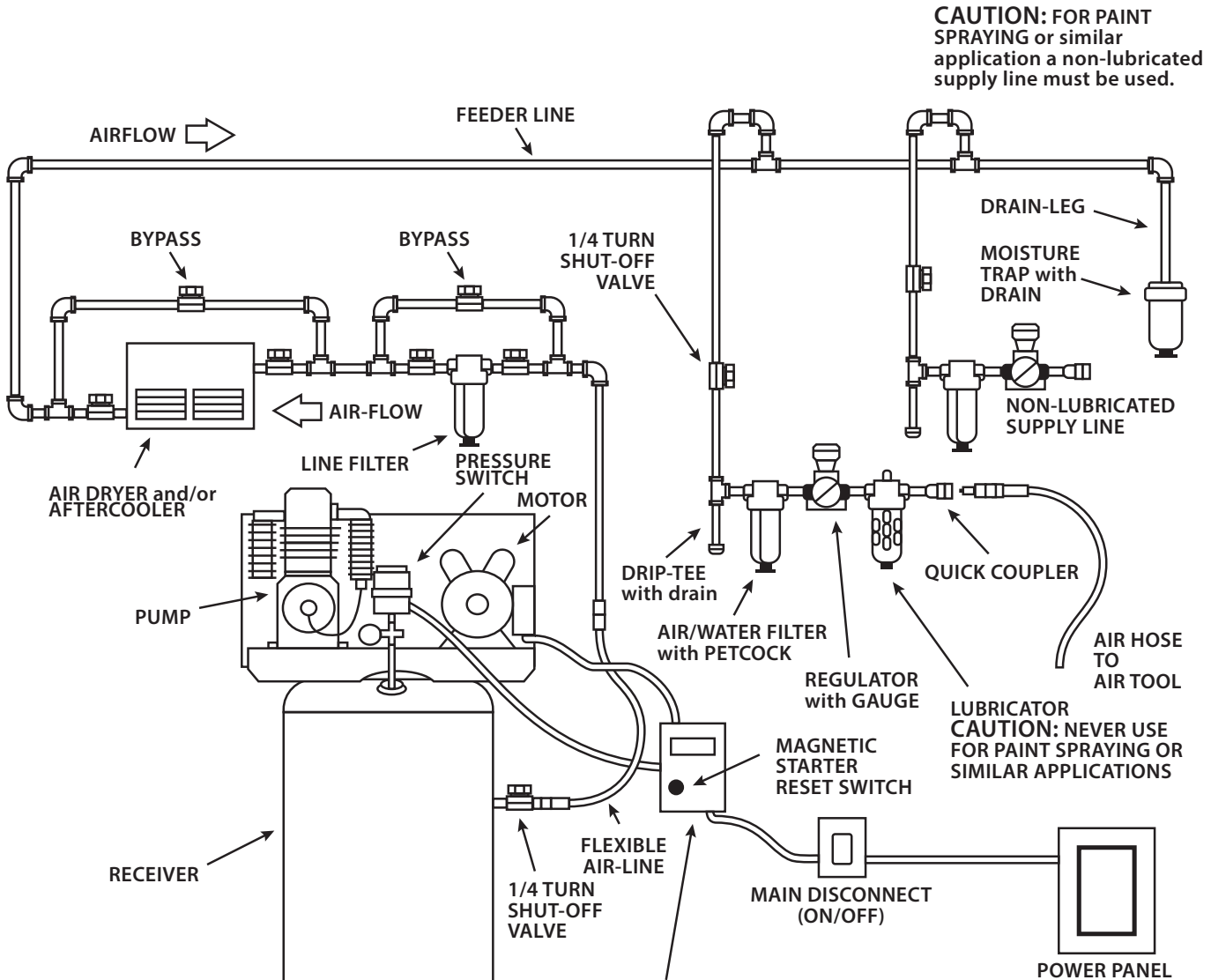
Destructive pulsations can be induced by reciprocating compressors that will damage walls and break windows. Pulsation can be minimized by adding a pulsation dampener on the inlet side of the compressor.

For compressor tank to have full manufacturer warranty. The tank must be installed properly on manufacturer supplied vibration pads per compressor manual. Failure to do so can void compressor tank warranty and cause tank cracks or failures.

On Electric compressors all electrical connections must be wired and installed per NEC (National Electric Code) (See the back of the manual for NEC code) and all local applicable codes for full electric component warranty. Failure to do so can void compressor electrical warranty.

Installation Diagram

NOTE: This diagram is only a guide to a typical system. Consult your distributor for detailed information regarding your particular installation.



CAUTION: SHIM TANK SO THE PUMP IS LEVEL WITHIN 1/8" PER LINEAL FOOT MAXIMUM TO DISTRIBUTE OIL PROPERLY. FASTEN TO FLOOR AND NEVER FORCE TANK FEET TO FLOOR WITHOUT SHIMS WHEN TIGHTENING.

MAGNETIC STARTER. Those not factory-mounted on the compressor can be mounted on the wall. Mount as close to the compressor as possible. Size the wires, protect them with conduit, and provide branch circuit protection per the National Electrical Code

CAUTION: TO REMOVE MOISTURE FROM THE AIR LINE, THE MAIN FEEDER LINE MUST RUN DOWNHILL TO DRAIN-LEG AT A RATE OF 3/4" TO 1" EVERY 10 FEET.

NOTE: RECOMMENDED PIPE AND FITTINGS: STAINLESS STEEL PIPE no smaller than tank outlet size (NPT). For systems over 100 feet in length increase by one pipe size.

NOTICE: Air compressors must be installed by trained installation personnel. Installation sheets must be sent back in for warranty activation. If you need help finding a qualified technician to properly perform installation, call 800-531-9656 or 972-352-6304.

Start Up Preparation & Procedures

The following check list must be adhered to before putting the compressor into operation.

FAILURE TO PERFORM THE CHECKS MAY RESULT IN SERIOUS INJURY OR DEATH, PROPERTY DAMAGE AND/OR MECHANICAL FAILURE.


DISCONNECT AND LOCK OUT POWER SUPPLY.

1. Remove all loose pieces and tools around the compressor installation.
2. Check oil level in crankcase, add as necessary.
3. Check all pressure connections for tightness and leaks.
4. Check to make sure all safety relief valves are in place and operational.
5. Check to be sure all guards are in place and securely mounted.
6. Check fuses, circuit breakers and thermal overloads for proper size.
7. Open all manual shut-off valves (block valves) at and beyond the compressor discharge.
8. For 3 phase units, after all of the above conditions have been satisfied, jog the starter switch button to check the rotational direction of the compressor. It should agree with the rotation arrow on the flywheel/pulley (counter clockwise, facing the shaft).

The following procedures should be followed for start-up of a new installation, or after changes have been made to an existing installation, and/or after service repair work has been performed.

1. Instructions in addition to those contained within this manual, supplied by manufacturers of supporting equipment, must also be read and understood before start-up.
2. Check oil level in crankcase.
3. Drain moisture from air receiver and traps.
4. Start compressor and watch for excessive vibration or strange noises.
If either is observed, stop the compressor immediately and correct.
5. Check air receiver or system pressure.
6. Manually activate safety relief valves by pulling ring or lever.
7. Check operation of controls.
8. After two days of operation check belt tension, air piping for leaks, and crankcase oil level.

Stopping for Maintenance or Service

| | |
|--|---|
|  | <p>Never assume the compressor is ready for maintenance or service because it is stopped.</p> <p>The automatic stop-start control may start the compressor at any time.</p> |
|--|---|

THE FOLLOWING PROCEDURE SHOULD BE FOLLOWED TO MAXIMIZE SAFETY WHEN PREPARING FOR MAINTENANCE OR SERVICE.

1. Disconnect and lock-out the main power switch and hang a sign at the switch informing of the unit being serviced.
2. Close shut-off valve (block valve) between receiver and compressor, or receiver and plant air system, to prevent any back-up of air flow into the area to be serviced.
3. Lock open manual vent valve and wait for the pressure in the area to be serviced (compressor, receiver, etc.) to be completely relieved before starting service. The manual vent valve may be the drain valve in the receiver. NEVER remove a plug to relieve the pressure.
4. Open all manual drain valves within the area to be serviced.
5. Wait for the unit to cool before starting service, (temperatures at 125°F can burn the skin), some surface temperatures exceed 400°F when the compressor is working).
6. Clean up all oils spills immediately to prevent slipping (Mark spill areas accordingly).

Common Maintenance Parts

| CA1(U) PUMP | Part Number |
|------------------------|---------------|
| Reciprocating Pump Oil | IAT-30100 |
| Air Filter Element | IAT-CA-712114 |
| Air Filter Housing | IAT-CA-712140 |

| CA2(U) PUMP | Part Number |
|------------------------|---------------|
| Reciprocating Pump Oil | IAT-30100 |
| Air Filter Element | IAT-CA-712114 |
| Air Filter Housing | IAT-CA-712140 |

| CA3 PUMP | Part Number |
|------------------------|---------------|
| Reciprocating Pump Oil | IAT-30100 |
| Air Filter Element | IAT-CA-712114 |
| Air Filter Housing | IAT-CA-712140 |

| PUMP OIL CAPACITIES | Quarts |
|---------------------|--------|
| CA1(U) | 2.5 |
| CA2(U) | 3.5 |
| CA3 | 5.5 |
| HV30 | 8 |
| LH4 | 2 |
| LH3 | 2 |
| LH2 | 1 |
| LH1 | 1 |

Part numbers subject to change/update always consult factory prior to ordering

NOTICE: Air compressors must be installed by trained installation personnel. Installation sheets must be sent back in for warranty activation. If you need help finding a qualified technician to properly perform installation, call 800-531-9656 or 972-352-6304.

Maintenance Procedures Review

DAILY:

- Drain the receiver - condensation will accumulate in the tank daily, and should be drained at least once a day. This is done to reduce corrossions of the tank from the inside. Always wear protective eye wear when draining the tank.
- Check pump oil level - For the units that have a sight glass the oil level, non running units should be no lower than the ½ way on the sight glass. If it is lower then the ½ way, add oil until it is at least ½ way up the sight glass.
- Check unit for any unusual noise or vibrations.

WEEKLY:

- Clean air filter- this will ensure that no dirt or heavy particulate makes its way into the compressors valve assemblies.
- Clean external parts of compressor and electric motor - this helps to ensure proper cooling and prevents rust and corrosion on critical parts.
- Check safety valves - this is don't to ensure they are not stuck in place and operating properly.
- **Elite Units**- Check auto tank drain for proper function

MONTHLY:

- Inspect complete air system for leaks - this is done to make sure the compressor does not get out of its duty cycle due to air leak in the system.
- Inspect oil for contamination - this is done to ensure that harmful deposits do not build up in the oil.
- Check belt tension - this is done to ensure the belt do not fail pre-maturely, tighten them as needed to ensure they do not slip. If belts are loose, tighten per instructions on next page. Failure to tighten can cause pre-mature belt failure.

EVERY 3 MONTHS OR 500 HOURS:

(WHICHEVER COMES FIRST)

- Change oil - this is done to ensure that the compressor is adequately lubricated and that the oil in the machine does not deteriorate past factory specifications.
- Inspect valve assemblies - this is done to prevent premature failure and clean out and carbon that can form in older valves.

- **Elite Units** - Clean auto tank drain strainer and check for proper function.
- Inspect pressure switch for proper function.
- Inspect check valve for proper function and remove any carbon accumulation to prevent premature failure.
- *Clean belt guard coolers (if equipped).

LONG TERM STORAGE PROCEDURES:

(COMPRESSORS THAT WILL NOT BE USED FOR 60 DAYS OR MORE)

1. **Electric Powered Units**- Turn off power and disconnect power from main compressor disconnect panel.
Gas/Diesel/Natural Gas Powered Units- Drain any fuel from package/disconnect any fuel source from system.
2. Drain compressor oil and change filters, refill oil. If engine driven drain engine oil, change filters, refill with oil.
3. Check compressor intake for debris, clean out if needed (Cover compressor intake to prevent debris, insects, etc. from entering compressor intake).
4. Clean off compressor package.
5. Drain all moisture from air compressor tank.
6. Cover compressor to prevent debris from collecting on compressor and store in a location out of direct sunlight/rain/weather. Do not seal compressor cover as moisture may form and prematurely rust parts due to humidity not being able to escape.
7. If storage last 90 days or more every 30 days manually rotate compressor pump/airend 1/4 turn.
8. Before putting compressor back into operation drain oil, change all filters, and check belt tension if belt driven. If compressor stored longer than 120 days inspect compressor intake and discharge valves on reciprocating, intake and MPV valve on rotary screws. If reciprocating check compressor check valve for operation.
9. Follow install guide and proper start up procedures prior to putting air compressor back into service. (Fill out a new compressor install data sheet at time of re-installation or initial installation).

NOTE: Maintaining proper oil level and performing oil changes at proper intervals is necessary for the proper function of the air compressor system. The best oil for you air compressor is **CAS30100 full synthetic reciprocating compressor oil**.

Reciprocating Compressor Maintenance Log

MAINTENANCE TO BE PERFORMED EVERY 3 MONTHS OR 500 HOURS (WHICHEVER COMES FIRST)

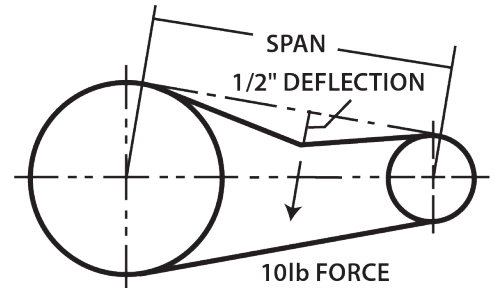
| DATE PUT INTO SERVICE: | | | | | | | | |
|------------------------|-----------------|------|------------------|------------|---------|-----------------|------------|---------------------------|
| SERVICE INTERVALS | TECH'S INITIALS | DATE | CHANGE | | INSPECT | | CLEAN | |
| | | | OIL IAT-30100 | AIR FILTER | VALVES | PRESSURE SWITCH | TANK DRAIN | AIR COOLER IF EQUIPPED |
| Q1 | | | | | | | | |
| Q2 | | | | | | | | |
| Q3 | | | | | | | | |
| Q4 | | | | | | | | |
| Q5 | | | | | | | | |
| Q6 | | | | | | | | |
| Q7 | | | | | | | | |
| Q8 | | | | | | | | |
| Q9 | | | | | | | | |
| Q10 | | | | | | | | |
| Q11 | | | | | | | | |
| Q12 | | | | | | | | |
| Q13 | | | | | | | | |
| Q14 | | | | | | | | |
| Q15 | | | | | | | | |
| Q16 | | | | | | | | |

- Service intervals are based on operating no more than 5 days per week 8 hours per day at 50% duty cycle.
- Increase frequency if operated more than above recommendations.
- Refer to owners manual prior to performing maintenance and for service item part numbers.
- Failure to perform recommended maintenance may cause damage to compressor and void warranty.

Adjusting Belt Tension

Proper belt tension and pulley alignment must be maintained for maximum drive efficiency and for maximum belt life. The correct tension exists if a deflection of ½ inch occurs by placing 10lbs of force midway between the motor pulley and the compressor flywheel. This deflection can be adjusted by the following procedure. The pulley should be carefully aligned with the flywheel and set screws should be kept tight.

1. Remove the belt guard
2. Loosen the motor mounting bolts
3. Shift the motor to the point where the correct deflection exists
4. Re-tighten the motor mounting belts
5. Check to ensure that the tension remain correct after tightening
6. Re-install the belt guard. All moving parts must be guarded

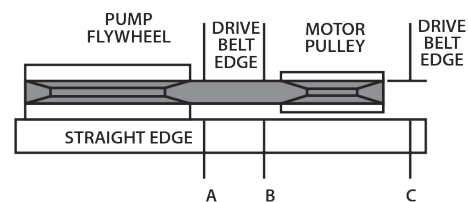
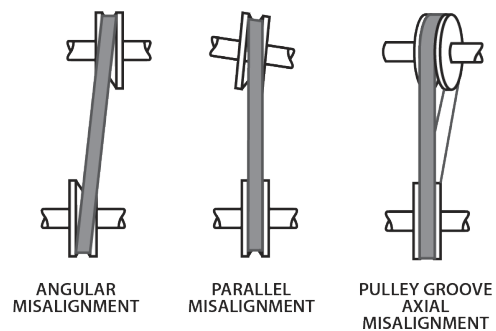


NOTE: Drive belt tension and pulley alignment are done at the same time. They are discussed separately for clarity.

Pulley Alignment

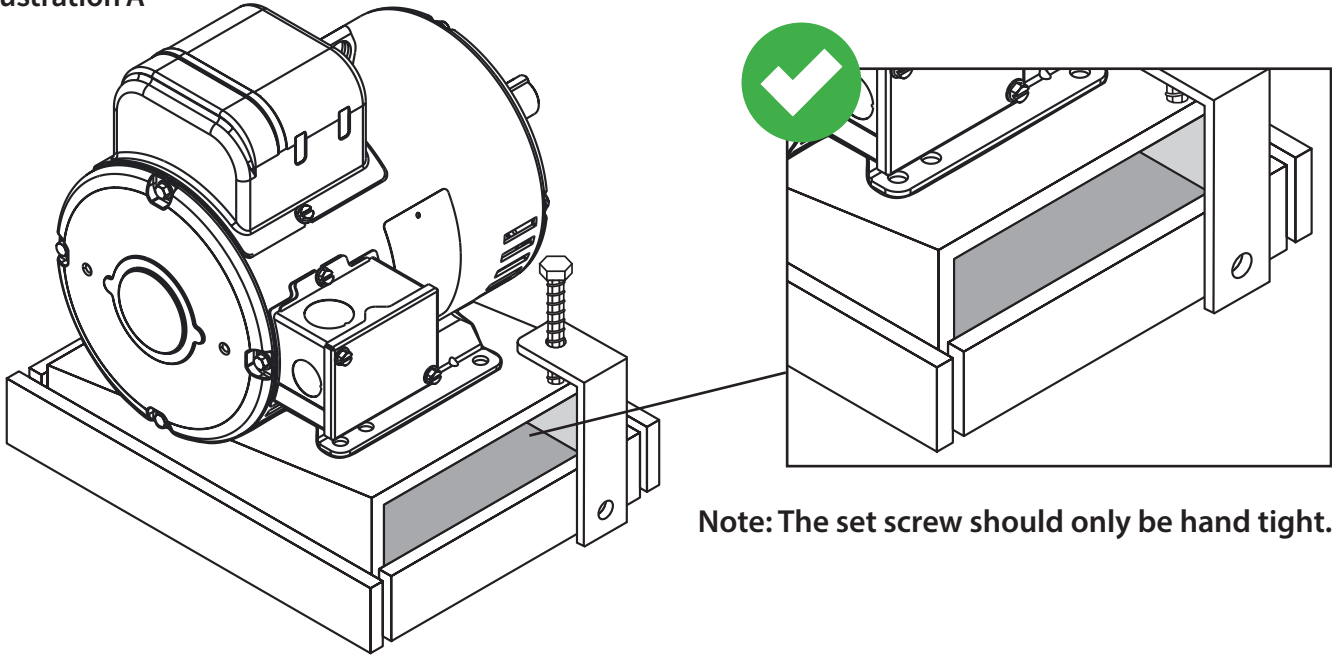
The figure to the side shows 3 examples of misaligned pulleys. To check pulley alignment, remove the belt guard and place a straightedge against the compressor flywheel, measure and record the distance from the straightedge to the edge of the drive belt. Then measure the distance to the edge of the drive belt on the motor pulley at the same edge. As long as both points measure the same distance the pulleys will be aligned if not you will need to move the pulley until its in alignment this may take a few tries. To re-align the pulley follow the steps below

1. Loosen the motor mounting bolts
2. Remove the belt guard
3. Loosen the set screw on the motor pulley
4. Align the motor pulley with the compressor flywheel
5. Re-tighten the motor pulley set screws
6. Adjust the proper belt tension
7. Re-tighten the motor mounting bolts
8. Re-install the belt guard



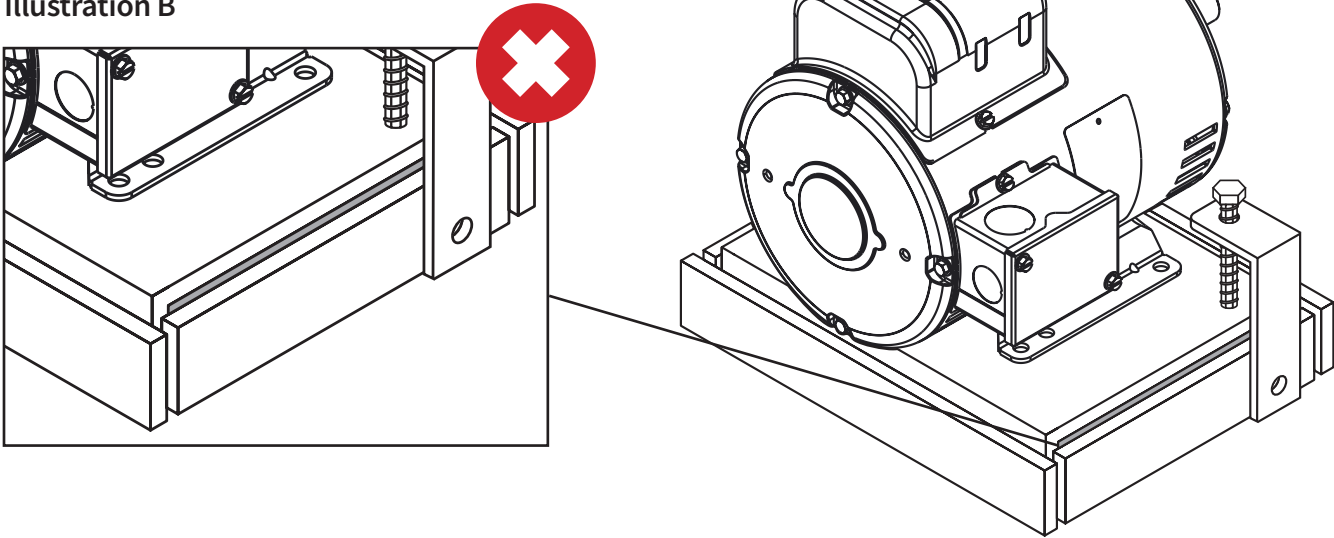
NOTICE: Air compressors must be installed by trained installation personnel. Installation sheets must be sent back in for warranty activation. If you need help finding a qualified technician to properly perform installation, call 800-531-9656 or 972-352-6304.

Illustration A



Note: The set screw should only be hand tight.

Illustration B



Self Tensioning Belt Rocker Plates

On units that come with the self tensioning rocker plates, there must always be a gap between the 2 plates shown in Illustration A. The set screw should only be hand tight, touching the top plate then 1/4 turn, and the set nut set to hold it in place. The belts need to be checked prior to unit installation and then after the first 40 hours of run time to verify tension. Then check belt tension every 3 months/500 hours of run time.

The rocker plate should never be too tight shown in Illustration B, to avoid the risk of premature belt and bearing failure. Over tensioning belts can void the package warranty.

Troubleshooting Chart

NOTE: Troubleshooting problems may have similar causes and solutions

You should always contact an authorized service center before attempting to fix or repair your air compressor.

Always make sure electrical power is off before removing any inspection covers or plates or before servicing compressor.

| Problem | Possible causes | Solutions |
|--------------------------|--|--|
| Breaker trips | <ul style="list-style-type: none"> Low voltage supply Motor overloads tripped Restricted air passages Loose wires at contact points Seized pump | <ul style="list-style-type: none"> Check that incoming power wire size is adequate for compressor Check that compressor is on a dedicated circuit Adjust belt tension Check wire connections to make sure they are tight Inspect transfer tubes and check valve |
| Compressor stalls | <ul style="list-style-type: none"> Low voltage supply to compressor Loose compressor belts Bad check valve Seized compressor pump | <ul style="list-style-type: none"> Check compressor power supply for adequate breaker and wire size Inspect check valve for proper operation Tighten belts Check compressor for proper oil level |
| Low discharge pressure | <ul style="list-style-type: none"> Air leaks in shop Leaking valves Restricted air intake Blown gaskets/seals Worn piston rings or cylinder | <ul style="list-style-type: none"> Tighten or replace leaking fittings, or joints Clean or replace air filter |
| Compressor pump knocking | <ul style="list-style-type: none"> Loose motor pulley or compressor flywheel Low oil level in compressor pump Carbon build up on valve and piston | <ul style="list-style-type: none"> Tighten pulley or flywheel Keep oil level at recommended level for proper operation Only use factory recommended oil |

Troubleshooting Chart (continued)

NOTE: Troubleshooting problems may have similar causes and solutions

You should always contact an authorized service center before attempting to fix or repair your air compressor.

Always make sure electrical power is off before removing any inspection covers or plates or before servicing compressor.

| Problem | Possible causes | Solutions |
|---|--|---|
| Excessive oil discharge in air (all compressors have a small amount of oil carry over) | Worn piston rings or cylinder Restricted air intake Oil level too high Compressor has exceeded its duty cycle | Clean or replace air filters Reduce oil level to recommended amount Reduce compressor duty cycle (repair leaks or add another unit to handle the excess demand) |
| Compressor overheating | Poor ventilation Dirty cooling surfaces Compressor has exceeded its duty cycle | Relocate compressor to any area with better ventilation (at least 18 inches from the nearest wall) Clean all cooling surfaces Reduce compressor duty cycle (repair leaks or add another unit to handle the excess demand) |
| Excessive belt wear | Pulley out of alignment Improper belt tension Pulley damaged or loose | Realign pulley with flywheel Readjust belt tension |
| Compressor won't start in cold weather | Bad check valve Compressor has the wrong grade oil Control lines frozen | Use IS 100 (30W) compressor oil for cold weather conditions Move compressor to a warmer location Put a heat lamp on compressor to maintain above freezing temperatures |

Troubleshooting Chart (continued)

NOTE: Troubleshooting problems may have similar causes and solutions

You should always contact an authorized service center before attempting to fix or repair your air compressor.

Always make sure electrical power is off before removing any inspection covers or plates or before servicing compressor.

| Problem | Possible causes | Solutions |
|---|--|--|
| Compressor motor hums but won't start | <ul style="list-style-type: none"> Fuse or breaker blown in main panel (or fuse in fused disconnect if applicable) Low voltage to compressor Compressor starting with head pressure Power leads in motor or magnetic starter loose Starter or pressure switch contacts corroded or broken | <ul style="list-style-type: none"> Reset breaker or replace blown fuse Inspect check valve for proper operation Check all power wires lead to solid connection Replace starter and pressure switch |
| Unit has power but won't run | <ul style="list-style-type: none"> Starter tripped Starter coil out Pressure switch closed Low oil monitor tripped (Elite units) Motor or pump locked up | <ul style="list-style-type: none"> Reset starter Replace starter and pressure switch Check unit for proper oil level Replace motor or pump |
| Compressor chatters (run and stops in a short period of time) | <ul style="list-style-type: none"> Pressure switch connection corroded Starter is not getting enough voltage to close coil Low oil switch tripping | <ul style="list-style-type: none"> Replace pressure switch Check unit voltage Check the oil level in the unit |

NOTE: Low voltage can cause a multitude of problems. The most common cause of low voltage is when the wire size supplying the power to the compressor is too small. The longer the run of wire the larger the diameter must be to overcome the inherent voltage loss caused by the wire resistance. The supply voltage at the main panel could also be low as supplied by your local power company or you may have too many other pieces of equipment running off the same panel. A local electrician should be contacted to evaluate and correct the problem according to the National Electric Code. Other symptoms of low voltage can be flickering lights when the compressor tries to turn on.

7.5, 10, 15 HP Electric Reciprocating Compressor

NEC (National Electric Code) Guidelines

1 Phase motor requirements (copper wire must be THW, THHN-THWN, XHHW). No solid core wire.

NOTE: Wire size is based on being within 30 feet of main electrical panel. Installation further away would need a qualified electrician to properly size the wire to account for voltage drop.

| Horse Power | Voltage | Instantaneous Trip Circuit Breaker Rating | Circuit Breaker Trip Rating | Minimum Wire Size |
|-------------|---------|---|-----------------------------|-------------------|
| 1.5 | 115 | 30 | 40 | 12 |
| 1.5 | 230 | 15 | 20 | 14 |
| 2 | 115 | 50 | 50 | 10 |
| 2 | 230 | 30 | 30 | 14 |
| 3 | 115 | 50 | 70 | 8 |
| 3 | 230 | 30 | 40 | 12 |
| 5 | 230 | 50 | 60 | 10 |
| 7.5 | 230 | 70 | 80 | 8 |
| 10 | 230 | 90 | 100 | 4 |

NOTE: Some rotary screw compressors have additional drive motors for the cooling fans that need to be taken into account when sizing the electrical system.

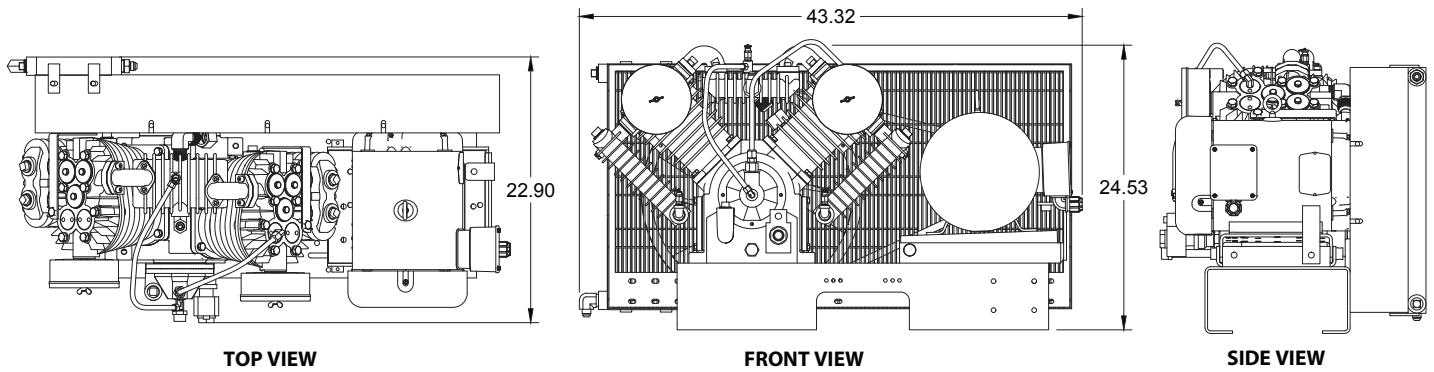
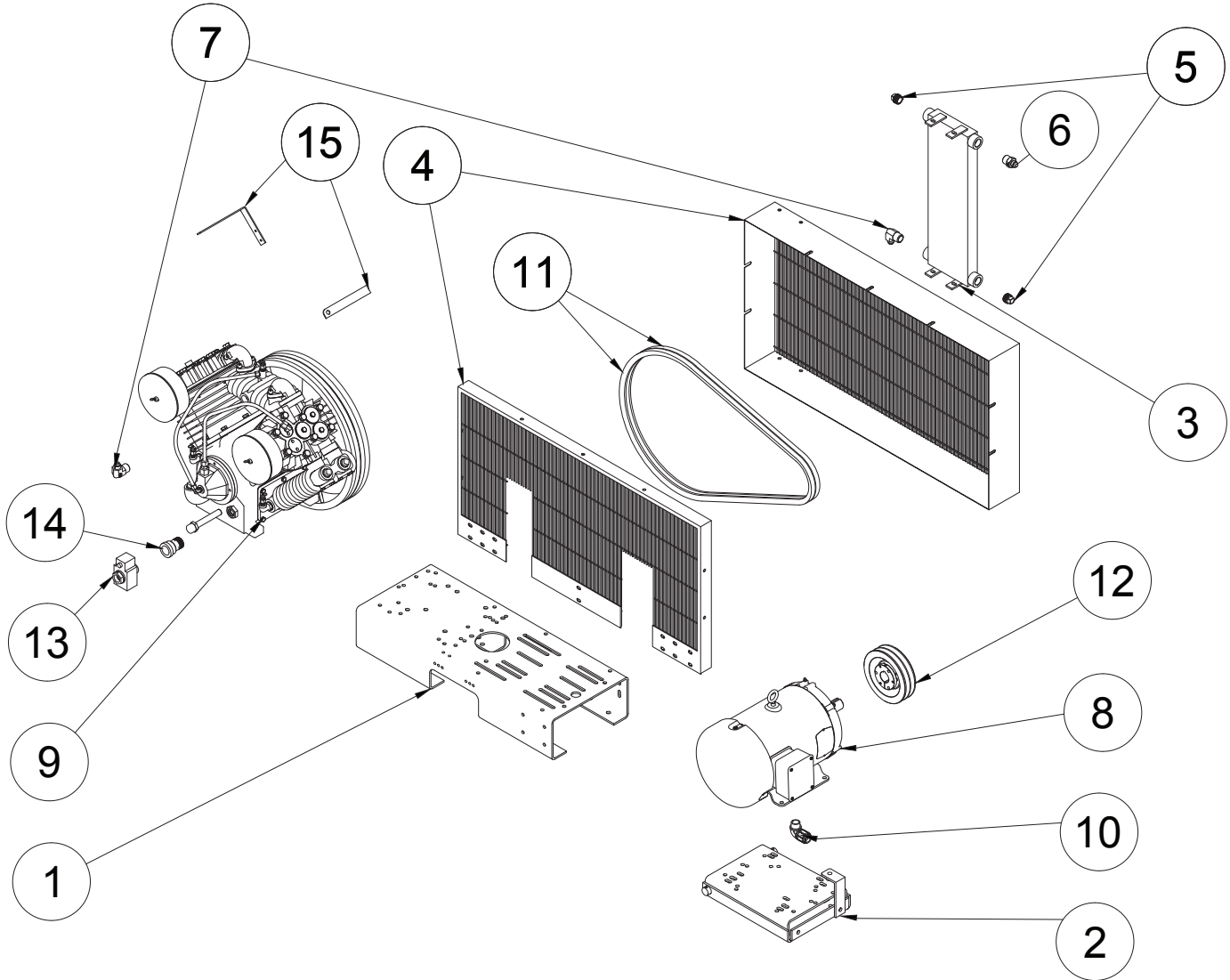
3 Phase motor requirements (copper wire must be THW, THHN-THWN, XHHW). No solid core wire.

NOTE: Wire size is based on being within 30 feet of main electrical panel. Installation further would need a qualified electrician to properly size the wire to account for voltage drop.

| Horse Power | Voltage | Circuit Breaker Trip Rating | Minimum Wire Size | Horse Power | Voltage | Circuit Breaker Trip Rating | Minimum Wire Size |
|-------------|---------|-----------------------------|-------------------|-------------|---------|-----------------------------|-------------------|
| 3 | 200 | 20 | 14 | 30 | 200 | 150 | 2 |
| 3 | 230 | 20 | 14 | 30 | 230 | 125 | 3 |
| 3 | 460 | 15 | 14 | 30 | 460 | 80 | 8 |
| 3 | 575 | 15 | 14 | 30 | 575 | 60 | 8 |
| 5 | 200 | 35 | 12 | 40 | 200 | 200 | 1/O |
| 5 | 230 | 30 | 14 | 40 | 230 | 175 | 1 |
| 5 | 460 | 15 | 14 | 40 | 460 | 100 | 6 |
| 5 | 575 | 15 | 14 | 40 | 575 | 80 | 6 |
| 7.5 | 200 | 50 | 10 | 50 | 200 | 200 | 3/O |
| 7.5 | 230 | 45 | 10 | 50 | 230 | 200 | 2/O |
| 7.5 | 460 | 20 | 14 | 50 | 460 | 125 | 4 |
| 7.5 | 575 | 20 | 14 | 50 | 575 | 100 | 6 |
| 10 | 200 | 60 | 8 | 60 | 200 | 250 | 4/O |
| 10 | 230 | 60 | 10 | 60 | 230 | 225 | 3/O |
| 10 | 460 | 35 | 14 | 60 | 460 | 125 | 3 |
| 10 | 575 | 25 | 14 | 60 | 575 | 125 | 4 |
| 15 | 200 | 90 | 6 | 75 | 200 | 300 | 300 |
| 15 | 230 | 80 | 6 | 75 | 230 | 300 | 250 |
| 15 | 460 | 45 | 10 | 75 | 460 | 150 | 1 |
| 15 | 575 | 40 | 12 | 75 | 575 | 125 | 3 |
| 20 | 200 | 100 | 4 | 100 | 200 | 400 | 500 |
| 20 | 230 | 90 | 4 | 100 | 230 | 400 | 350 |
| 20 | 460 | 60 | 10 | 100 | 460 | 200 | 2/O |
| 20 | 575 | 50 | 10 | 100 | 575 | 175 | 1 |
| 25 | 200 | 125 | 3 | | | | |
| 25 | 230 | 125 | 4 | | | | |
| 25 | 460 | 70 | 8 | | | | |
| 25 | 575 | 60 | 10 | | | | |

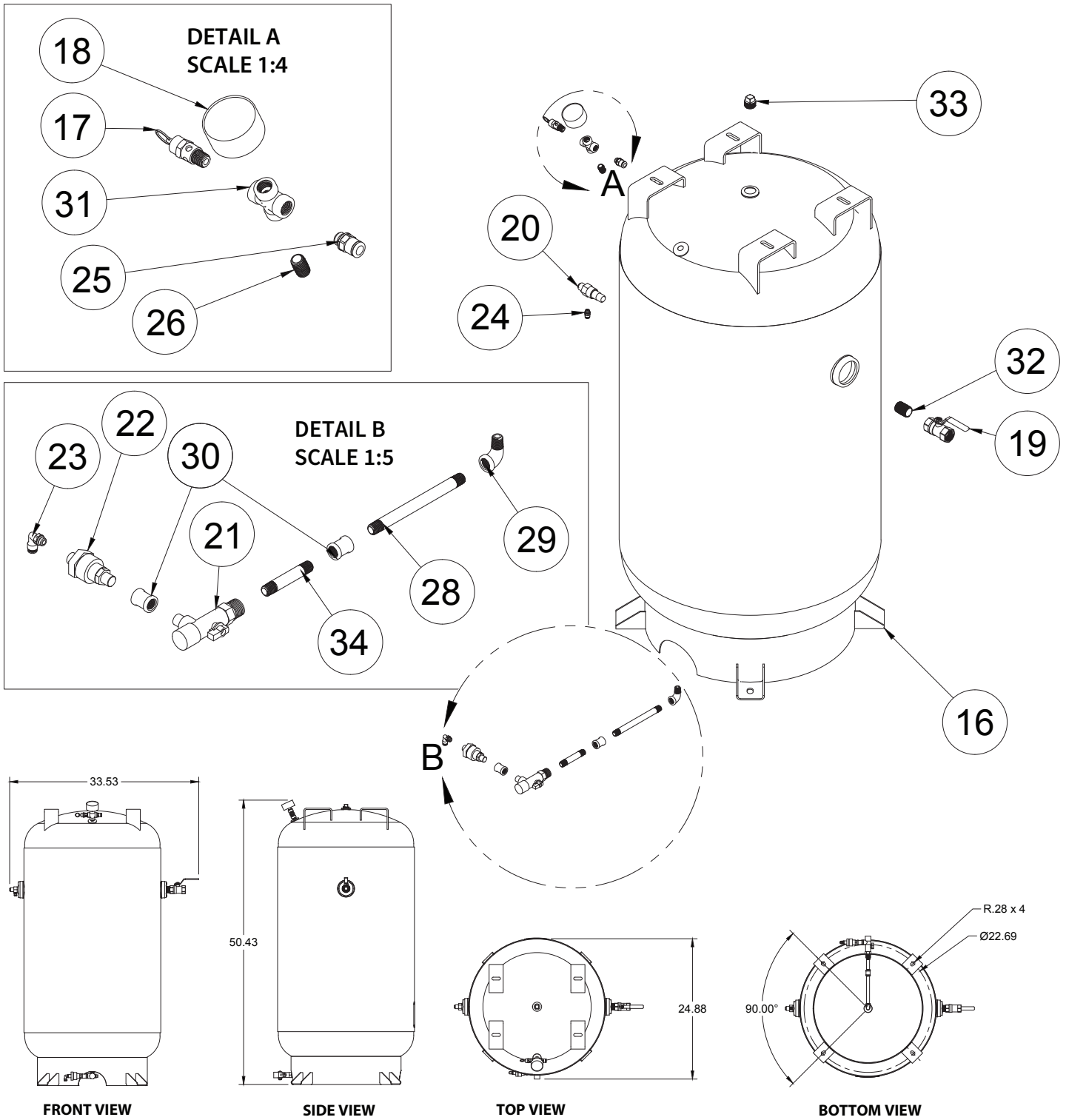
NOTE: Some rotary screw compressors have additional drive motors for the cooling fans that need to be taken into account when sizing the electrical system.

7.5 HP CA2 Pump Parts Diagram



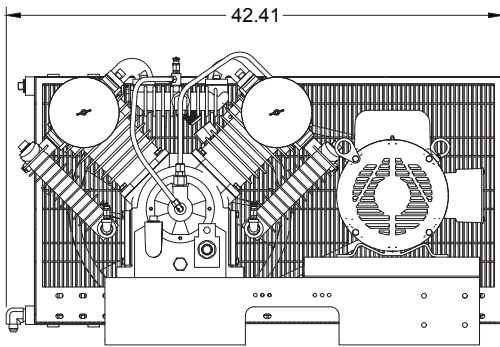
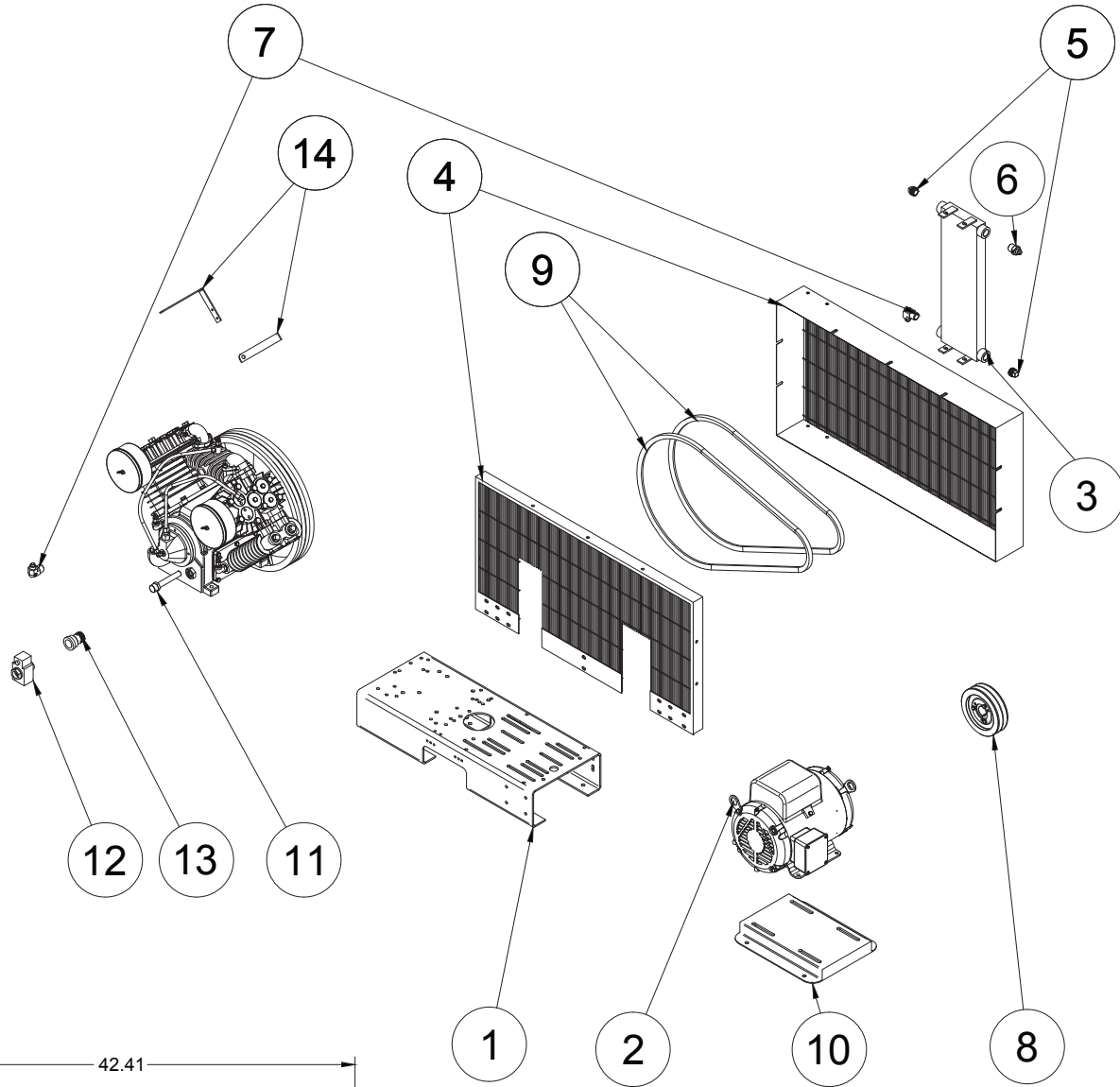
Dimensions are in inches. Part numbers may change. Depending on package figuration, parts may be different.

| Item | QTY | Part Number | Description | Item | QTY | Part Number | Description |
|------|-----|------------------|----------------------------------|------|-----|-----------------|-----------------------------------|
| 1 | 1 | IAT-TP32BKWR | 32" TOP PLATE | 9 | 1 | IAT-CA2 | 10HP BARE PUMP |
| 2 | 1 | IAT-184-215TMP | 184-215T MOTOR PLATE | 10 | 1 | IAT-4972NM | 3/4" X 3/4" 90 CONN FOR 10 SEOPRE |
| 3 | 1 | IAT-M-12-AL | BELT GUARD COOLER 48 CFM | 11 | 2 | IAT-B78 | BELT |
| 4 | 1 | IAT-BG40X20X5-V2 | #3-03 BELT GUARD 10HP ELE NEW | 12 | 1 | IAT-2BK67-1-3/8 | 2B 6.45 FIXED BORE 1-3/8 |
| 5 | 2 | IAT-PF3/4PLUG | 3/4" PLUG | 13 | 1 | IAT-3353102-D | LOW OIL MONITOR |
| 6 | 1 | IAT-2404-08-12-O | 3/4" MP X 1/2" M JIC STRAIGHT OR | 14 | 1 | IAT-CA-3353103 | LOW OIL PIPE CONNECTOR |
| 7 | 2 | IAT-2501-08-12-O | 3/4" MP X 1/2" M JIC 90 DEG R IN | 15 | 2 | IAT-1/8X1X12 | STRAP BELT GUARD |
| 8 | 1 | IAT-EM-7.5-3-17T | 7.5HP TEFC 3 PHASE 1750 RPM | 16 | 1 | IAT-80VNTPBKWR | 80 GALLON BLACK TANK |

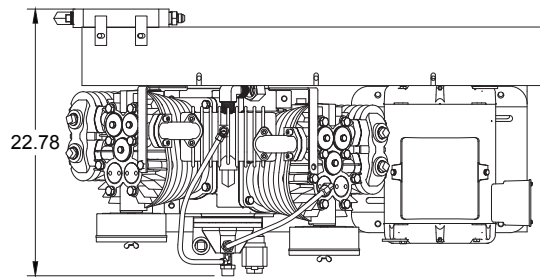


| Item | QTY | Part Number | Description | Item | QTY | Part Number | Description |
|------|-----|--------------------|--------------------------------|------|-----|---------------------|------------------------|
| 17 | 1 | IAT-ST25-200 | SAFETY VALVE 200 PSI | 26 | 1 | IAT-PF1/4"CL | 1/4" CLOSE NIPPLE GALV |
| 18 | 1 | IAT-PSB20 | AIR GAUGE BACK MT 1/4" | 27 | -- | -- | -- |
| 19 | 1 | IAT-716116 | BALL VALVE 3/4" | 28 | 1 | IAT-PF1/4X6NIPPLE | 1/4" X 6 NIPPLE |
| 20 | 1 | IAT-CTJ1234 | JIC CHECK VALVE | 29 | 1 | IAT-PF1/4" STR 90 B | 1/4" STREET 90 GALV |
| 21 | 1 | IAT-EDVS9002 | 1/4" BALL VALVE STRAINER | 30 | 2 | IAT-PF1/4COUPLING | 1/4" COUPLING |
| 22 | 1 | IAT-WV-1 | AIR OPERATED AUTO TANK DRAIN | 31 | 1 | IAT-PF1/4CROSS | 1/4" CROSS GAL |
| 23 | 1 | IAT-BPC-2501-04-02 | 1/8" P X 1/4" COMP PUSH LOK 90 | 32 | 1 | IAT-PF3/4"CL | 3/4" CLOSE NIPPLE BL |
| 24 | 1 | IAT-BPC-2404-04-02 | 1/8" P X 1/4" COMP PUSH LOC ST | 33 | 1 | IAT-PF3/4PLUG | 3/4" PLUG |
| 25 | 1 | IAT-BPC-2404-06-04 | 1/4" P X 3/8" COMP PUSH LOK ST | 34 | 1 | IAT-PF1/4X3NIPPLE | 1/4" X 3" NIPPLE |

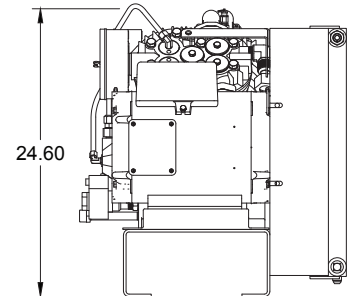
7.5 HP CA2 Pump Parts Diagram



FRONT VIEW



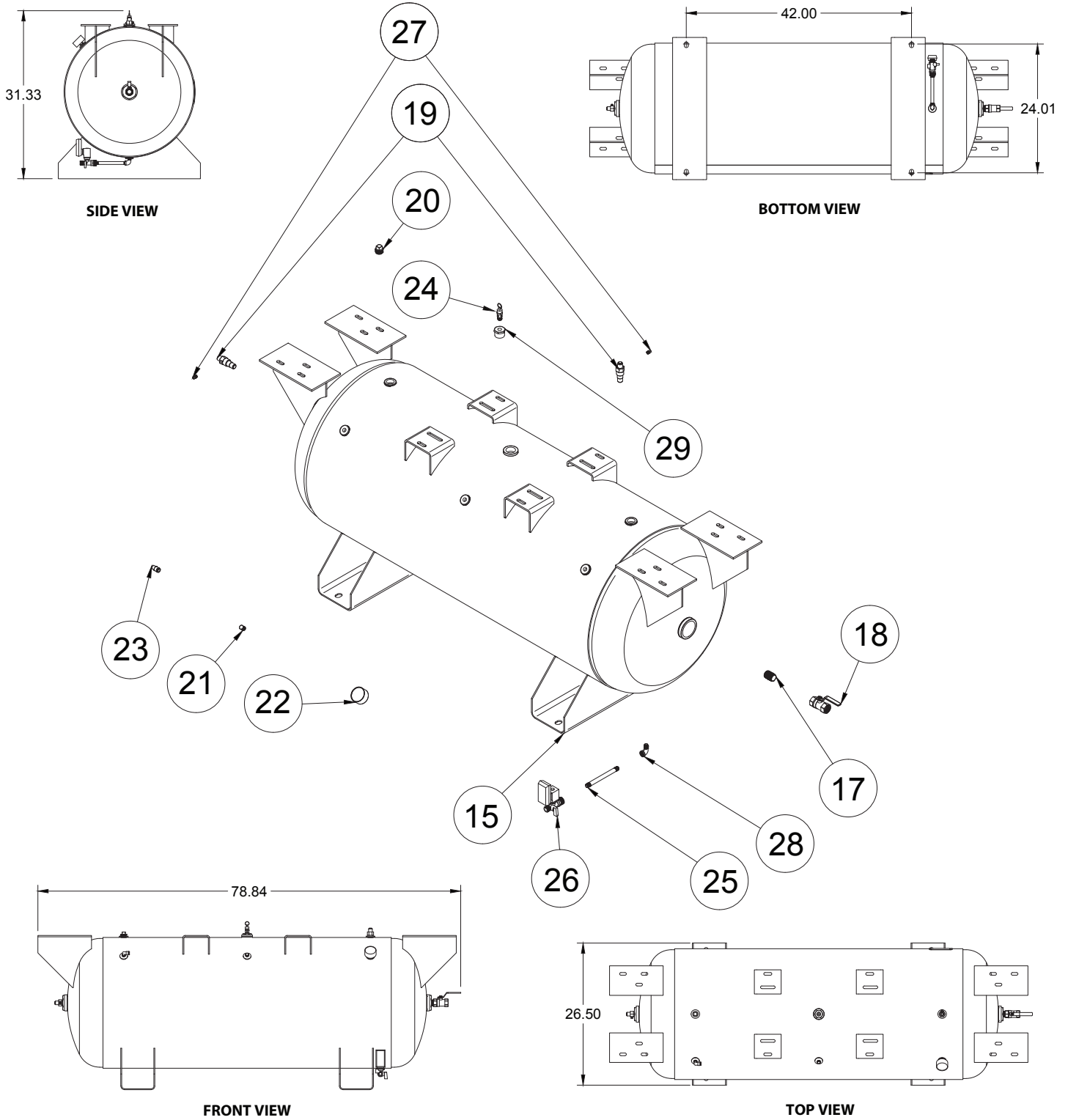
TOP VIEW



SIDE VIEW

Dimensions are in inches. Part numbers may change. Depending on package figuration, parts may be different.

| Item | QTY | Part Number | Description | Item | QTY | Part Number | Description |
|------|-----|------------------|----------------------------------|------|-----|----------------|-----------------------------|
| 1 | 1 | IAT-TP32BKWR | 32" TOP PLATE | 9 | 2 | IAT-B78 | BELT |
| 2 | 1 | IAT-EM-7.5-1-170 | 7.5HP 1 PHASE 1750 RPM MOTOR | 10 | 1 | IAT-215-D-BE | 215 MOTOR BASE W/DOUBLE ADJ |
| 3 | 1 | IAT-M-12-AL | BELT GUARD COOLER 48 CFM | 11 | 1 | IAT-CA2 | 10HP BARE PUMP |
| 4 | 1 | IAT-BG40X20X5-V2 | #3-03 BELT GUARD 10HP ELE NEW | 12 | 1 | IAT-3353102-D | LOW OIL MONITOR |
| 5 | 2 | IAT-PF3/4PLUG | 3/4" PLUG | 13 | 1 | IAT-CA-3353103 | LOW OIL PIPE CONNECTOR |
| 6 | 1 | IAT-2404-08-12-O | 3/4" MP X 1/2" M JIC STRAIGHT OR | 14 | 2 | IAT-1/8X1X12 | STRAP BELT GUARD |
| 7 | 2 | IAT-2501-08-12-O | 3/4" MP X 1/2" M JIC 90 DEG R IN | 15 | 1 | IAT-120DPBKWR | 120 DUPLEX GALLON TANK |
| 8 | 1 | IAT-2BK67-1-3/8 | 2B 6.45 FIXED BORE 1-3/8 | 16 | -- | -- | -- |



| Item | QTY | Part Number | Description | Item | QTY | Part Number | Description |
|------|-----|--------------------|--------------------------------|------|-----|---------------------|----------------------|
| 17 | 1 | IAT-PF3/4"CL | 3/4" CLOSE NIPPLE BL | 24 | 1 | IAT-ST25-200 | SAFETY VALVE 200 PSI |
| 18 | 1 | IAT-716116 | BALL VALVE 3/4" | 25 | 1 | IAT-PF1/4X6NIPPLE | 1/4" X 6" NIPPLE |
| 19 | 2 | IAT-CTJ1234 | JIC CHECK VALVE | 26 | 1 | IAT-ET2523 | TIMED AUTO DRAIN |
| 20 | 1 | IAT-PF3/4PLUG | 3/4" PLUG | 27 | 2 | IAT-109-2 | 1/8" BRASS PLUG |
| 21 | 1 | IAT-109-4 | 1/4" BRASS PLUG | 28 | 1 | IAT-PF1/4" STR 90 B | 1/4" STREET 90 GALV |
| 22 | 1 | IAT-PSB20 | AIR GAUGE BACK MT 1/4" | 29 | 1 | IAT-1X1/4REDUCER | 1" X 1/4" REDUCER |
| 23 | 1 | IAT-BPC-2501-06-04 | 1/4" P X 3/8" COMP PUSH LOK 90 | | | | |

Certificate of Limited Warranty Reciprocating Compressors and Parts

All component parts on this compressor, installed by the manufacturer, are warranted to be free of defects in workmanship and material for a period of one year. Transportation charges are the responsibility of the purchaser. This warranty extends to the original purchaser of the compressor only. The purchaser must use Synthetic Reciprocating Compressor Oil, Part Number 30100, in the compressor for the duration of the compressor warranty. There are NO express warranties other than those contained in this limited warranty statement. Covered in the one year period of the warranty are defective parts and labor only. Part defects are limited to original parts only. The compressor warranty is void in the case of abuse, lack of proper service, incorrect application, incorrect installation, and neglect. Industrial Electric stationary compressors may be repaired on site as long as the compressor is not located further than 50 miles from the service center. The purchaser is responsible for any additional travel expense beyond 50 miles from the service center. Gas/Diesel Engine Driven, Single Stage Stationary, and Contractor Series compressors must be repaired at the closest service center to the compressor. The purchaser is responsible for any travel expense if they do not wish to bring the compressor to the service center. ALL "SPECIALTY COMPRESSOR" WARRANTY SERVICE MUST BE PERFORMED AT THE CLOSEST SERVICE CENTER TO THE COMPRESSOR. A "SPECIALTY COMPRESSOR" is any compressor packaged with options other than those that apply to the standard models in the catalog. Warranty labor for the first year is only covered for work performed Monday-Friday 8am-5pm excluding all major US holidays. BEFORE WARRANTY SERVICE IS PERFORMED, CONTACT THE MANUFACTURER TECH SUPPORT FOR FASTEST SOLUTION AND APPROVAL (800-531-9656 or 972-352-6304). Warranty repairs must be authorized by the manufacturer prior to work being performed. Unauthorized work may void the package warranty. The warranty claim form MUST be submitted for any potential warranty claim to be reviewed. A copy of the original invoice must be sent in with the warranty claim form.

The limited warranty is not active until the installation sheet, included with the compressor manual, is properly filled out and returned. Failure to return the installation sheet will prevent the warranty from being active.

Certificate of Limited Warranty Parts Warranty

New parts purchased are warranted to be free from defects for a period of 1 year. Parts warranty is repair or replace only. Parts warranty is limited to the repair or replacement of the defective part only. No labor allowed for parts warranty. The defective part will be repaired or replaced. Freight and labor are not covered under the parts warranty. FOR A DEFECTIVE PART, CONTACT THE WARRANTY SERVICE CENTER (800-531-9656 or 972-352-6304).

Certificate of Limited Warranty Rotary Screw Compressors

All component parts on this compressor, installed by the manufacturer, are warranted to be free of defects in workmanship and material for a period of one year. Transportation charges are the responsibility of the purchaser. This warranty extends to the original purchaser of the compressor only. The purchaser must use Synthetic Rotary Screw Oil, Part Number RS8000, in the compressor for the duration of the compressor warranty. There are NO express warranties other than those contained in this limited warranty statement. Covered in the one year period of warranty are defective parts and labor. Part defects are limited to original part only. The compressor warranty is void in the cases of abuse, lack of proper service, incorrect application, incorrect installation and neglect. Industrial Electric stationary compressors may be repaired on site as long as the compressor is not located further than 50 miles from the service center. The purchaser is responsible for any additional travel expense beyond 50 miles from the service center. Gas/Diesel Engine Driven compressors must be repaired at the closest service center to the compressor. The purchaser is responsible for any travel expense if they do not wish to bring the compressor to the service center. ALL "SPECIALTY COMPRESSOR" WARRANTY SERVICE MUST BE PERFORMED AT THE CLOSEST SERVICE CENTER TO THE COMPRESSOR. A "SPECIALTY COMPRESSOR" is any compressor packaged with options other than those that apply to the standard model in the catalog. The AIREND is covered by a 2 year warranty to be free from defects from manufacturing. This does not cover abuse, neglect, improper service, misapplication, or improper installation. An oil sample must be submitted with any AIREND warranty claim for verification. An "AIREND" is the rotors and bearings of the compressor. Warranty labor for the first year is only covered for work performed Monday-Friday 8am-5pm excluding all major US holidays. BEFORE WARRANTY SERVICE IS PERFORMED, PLEASE CONTACT MANUFACTURER TECH SUPPORT FOR FASTEST SOLUTION AND AUTHORIZATION (800-531-9656 or 972-352-6304). Warranty repairs must be authorized by the manufacturer prior to work being performed. Unauthorized work may void the package warranty. The warranty claim form MUST be submitted for any potential warranty claim to be reviewed. A copy of the original invoice must be sent in with the warranty claim form.

The limited warranty is not active until the installation sheet, included with the compressor manual, is properly filled out and returned. Failure to return the installation sheet will prevent the warranty from being active.

THIS POLICY IS LIMITED TO THE ITEMS ON THE INVOICE, WHICH IS ATTACHED WITH THIS DOCUMENT.

THIS INSTALLATION SHEET MUST BE FILLED OUT AND RETURNED FOR WARRANTY TO BEGIN

Electric Reciprocating Compressor Installation Sheet

Compressor & Installer

Compressor Model # _____ Compressor Serial # _____

Installation Company: _____ Installation Technician: _____

Technician Signature: _____ Date: _____

Electrical Information

Compressor Voltage: _____ V Site Electrical Phase: 1-Phase 3-Phase

Site Voltage: L1: _____ V L2: _____ V L3: _____ V Checked All Connections Before Start-Up: Yes No

Breaker Size (Amps): _____ A Wire Size: _____

Incoming Power Connected to Magnetic Starter: Yes No *If No:* Connected to Power Distribution Block: Yes No

Distance from Main Panel: _____ ft Disconnect Installed at Compressor Location: Yes No

If Duplex Unit: Separate Disconnects for Each Drive Motor: Yes No

Incoming Voltage at Motor Start-Up: L1: _____ V L2: _____ V L3: _____ V

Incoming Voltage at Max Operating Pressure: L1: _____ V L2: _____ V L3: _____ V

Motor Amps at Max Operating Pressure: L1: _____ A L2: _____ A L3: _____ A

Performance & Status

Compressor Rotation Correct: Yes No Max Operating Pressure: _____ PSI

Tank Drain Functional: Yes No Checked All Air Fittings for Leaks: Yes No

Checked Unit for Oil Leaks: Yes No Checked Belt Tension: Yes No

Vibration Pads Properly Installed: Yes No

Unit Location: Indoors Outdoors *If Outdoors:* Unit Is Covered by Roof: Yes No

Unit Has At Least 24" Of Space On All Sides Free Of Obstructions: Yes No

Tank Fill Time: 0-125 PSI: _____ *Write N/A if pressure not applicable to unit*

0-150 PSI: _____ *Write N/A if pressure not applicable to unit*

0-175 PSI: _____ *Write N/A if pressure not applicable to unit*

All Install Steps Completed: Yes No *If No, Explain:* _____

Send a copy of this completed installation sheet to manufacturer to begin warranty.

Include the following:

- 1 image of the control panel wired up
- 1 image of the full install
- 1 image from each end of the compressor

Sales@compressed-air-systems.com

Fax 972-352-6304

Or mail to

Compressed Air Systems

600 S. 2nd Ave Mansfield, TX, 76063



Compressed Air Systems, LLC

600 S 2nd Ave
Mansfield, TX, 76063
1-800-531-9656
Fax 972-352-6364

Simplicity. It's What We Do.