



Lumana LUM-REC-F1200

Fisheye Camera

12MP Fisheye, Indoor/Outdoor



12MP image sensor delivers sharp full-HD, 4000x3000 video resolution



15m / 49ft infrared illuminators for greater nighttime visibility

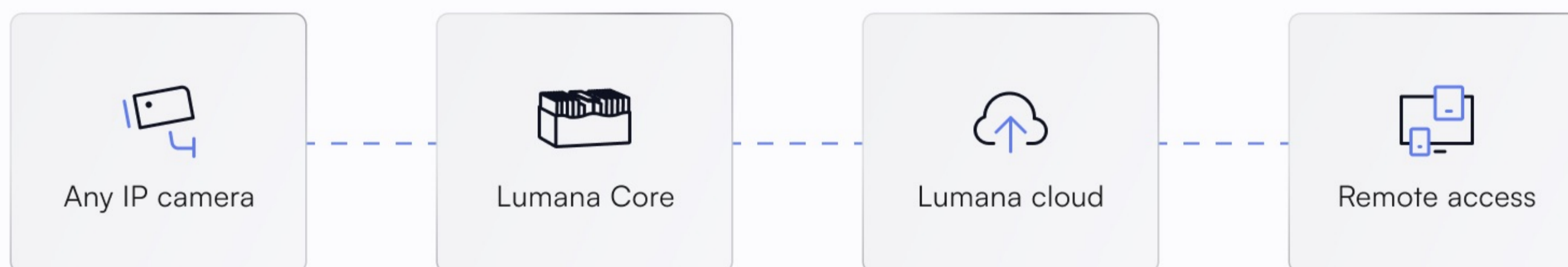


Real-time AI processing and minimal bandwidth impact (~100 Kbps)



Ready for any environment with IP67 weatherproof and IK10 vandal-resistance

Lumana hybrid-cloud architecture



Camera agnostic

Open platform provides powerful AI analytics to any security camera for greater situational awareness and operational efficiency.

Actionable intelligence

Self-learning AI adapts to your environment to predict anomalies and trigger automatic alerts for more proactive response.

Infinitely scalable

Manage unlimited cameras and users from one platform and utilize AI to empower your team to do more with fewer resources.

Lumana is an all-in-one, AI-powered video security solution



Modern system management

Designed for easy deployment and enhanced reliability, Lumana delivers the best from on-premise and cloud solutions for a modern and refined security experience.

- Centralized management and secure remote access
- Plug-and-play setup — integrate visual AI in minutes
- Automatic updates and system health monitoring



Secure by default architecture

From camera endpoint to application security, Lumana features enterprise cybersecurity protocols to provide powerful AI video security built with data privacy in mind.

- End-to-end encryption for data at rest and in transit
 - No port forwarding or inbound network traffic
- Automatic security updates and routine pen tests



Next-generation AI features

Patented AI and machine learning algorithms empower your team to operate more efficiently by delivering unparalleled visibility and new business insights at scale.

- Receive real-time alerts for immediate response
- Find people or vehicles of interest in seconds
- New AI features and system upgrades at no cost



Built for enterprise deployments

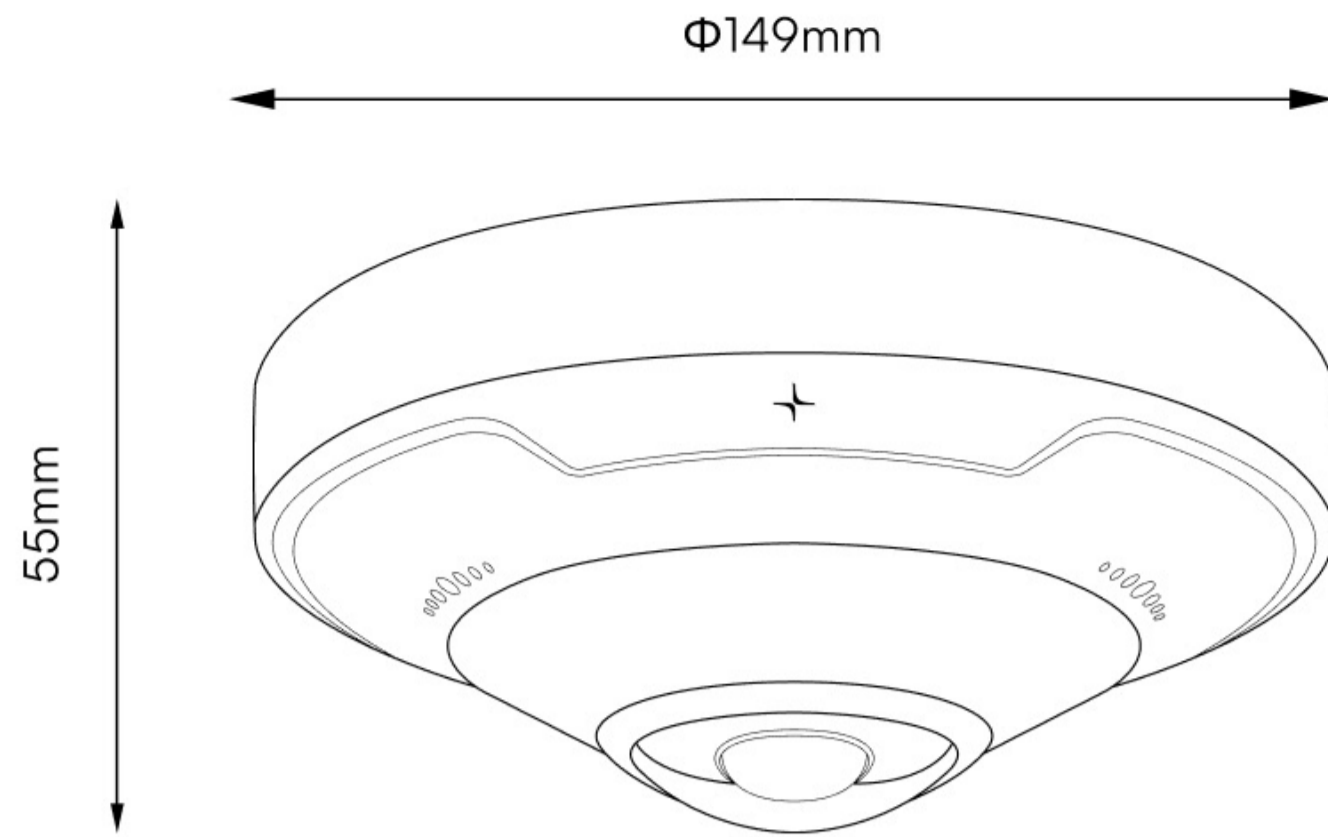
Whether you have 50 or 500 cameras, Lumana simplifies security with modern video management and proactive AI to help you focus on what matters most.

- Easy-to-use software accessible from web or mobile app
- Real-time AI to help users operate 10x more efficiently
- Distributed architecture for better performance and cost

Lumana LUM-REC-F1200

Fisheye Camera

12MP Fisheye, Indoor/Outdoor



Camera Features

Image sensor	1/1.7", 12.0 megapixel, progressive scan, CMOS	DORI distance	Detect: 43.8m Observe: 17.5m Recognize: 8.8m Identify: 4.4m
Sensor resolution	4000 x 3000px	Shutter speed	1 ~ 1/1000000s
Lens type	Fixed-focal	Day/Night	IR-cut filter with auto switch (ICR)
Focal length	1.8mm	IR range	Up to 15m (49ft)
Aperture	F1.8	WDR	Dynamic
Field of view	360°	S/N	>52dB

Standard Video Settings

Compression	Ultra 265, H.265, H.264, MJPEG	Historical video settings	Dynamic Storage*
Frame rate	Main Stream: 12MP, Max 25fps Sub Stream: 3MP, Max 25fps Third Stream: D1, Max 25ps	Flip	Normal/Flip Vertical/ Flip Horizontal/180°
Bitrate	128 Kbps ~ 16 Mbps	Digital noise reduction	2D/3D DNR
White balance	Auto/Outdoor/Fine Tune/ Sodium Lamp/Locked/Auto2	Smart IR	Supported

Standard Audio Settings

Two-way audio	Supported	Audio bitrate	64 Kbps
Audio compression	G.711U, G.711A	Sampling rate	8KHz

Power and Network

Power input	DC 12V±25%, PoE (IEEE 802.3af)	Protocols	IPv4, IPv6, IGMP, ICMP, ARP, TCP, UDP, DHCP, PPPoE, RTP, RTSP, RTCP, DNS, DDNS, NTP, FTP, UPnP, HTTP, HTTPS, SMTP, 802.1x, SNMP, QoS
Power consumption	Max 12W	Compatible integration	ONVIF (Profile S, Profile G, Profile T), API, SDK
Connectivity	1 x RJ45 10M/100M Base-TX Ethernet		

Mechanical

Dimensions	Φ149 x 55mm (Φ5.9" x 2.2")	Weight	0.52kg (1.2lb)
Body	Metal + Plastic		

Environmental

Operating temperature	-30°C ~ 60°C (-22°F ~ 140°F)	Humidity	≤95% RH (non-condensing)
Ingress protection	IP67	Vandal resistance	IK10

Ownership

Warranty	Lifetime**	Support	24/7 U.S. based support
Certifications	CE-EMC, FCC, CE LVD, IEC 62368, UL 62368-1, CE-RoHS, WEEE, Reach, IK10		

*All Lumana cameras store footage dynamically on the Lumana Core based on activity. A combination of standard-quality and high-quality images and videos is captured to ensure optimal footage during critical events.

**Must have active Lumana subscription to qualify for lifetime warranty.