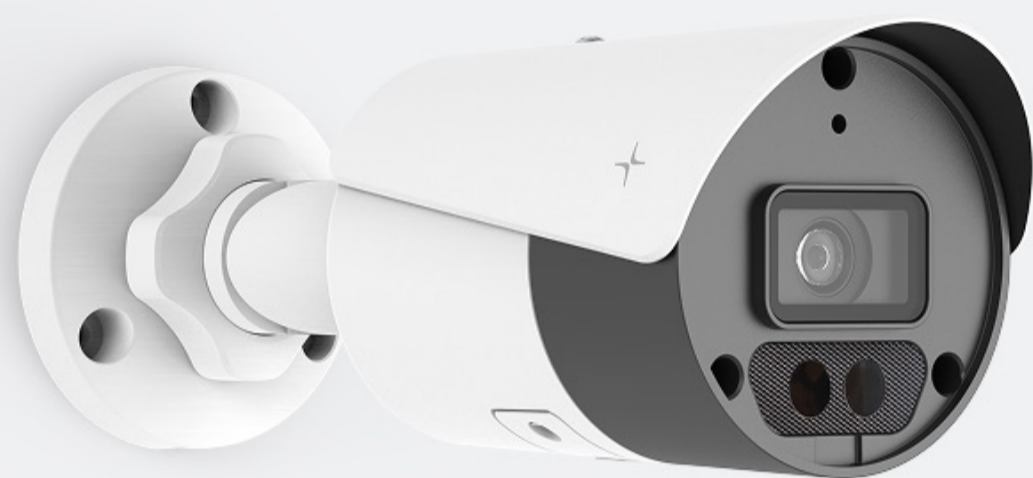




Lumana LUM-REC-B800

Bullet Camera

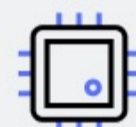
8MP, Indoor/Outdoor



8MP image sensor delivers sharp 4K, 3840 x 2160 video resolution



50m / 164ft infrared illuminators for greater nighttime visibility



Real-time AI processing and minimal bandwidth impact (~100 Kbps)



Ready for any environment with IP67 weatherproofing

Lumana hybrid-cloud architecture



Camera agnostic

Open platform provides powerful AI analytics to any security camera for greater situational awareness and operational efficiency.

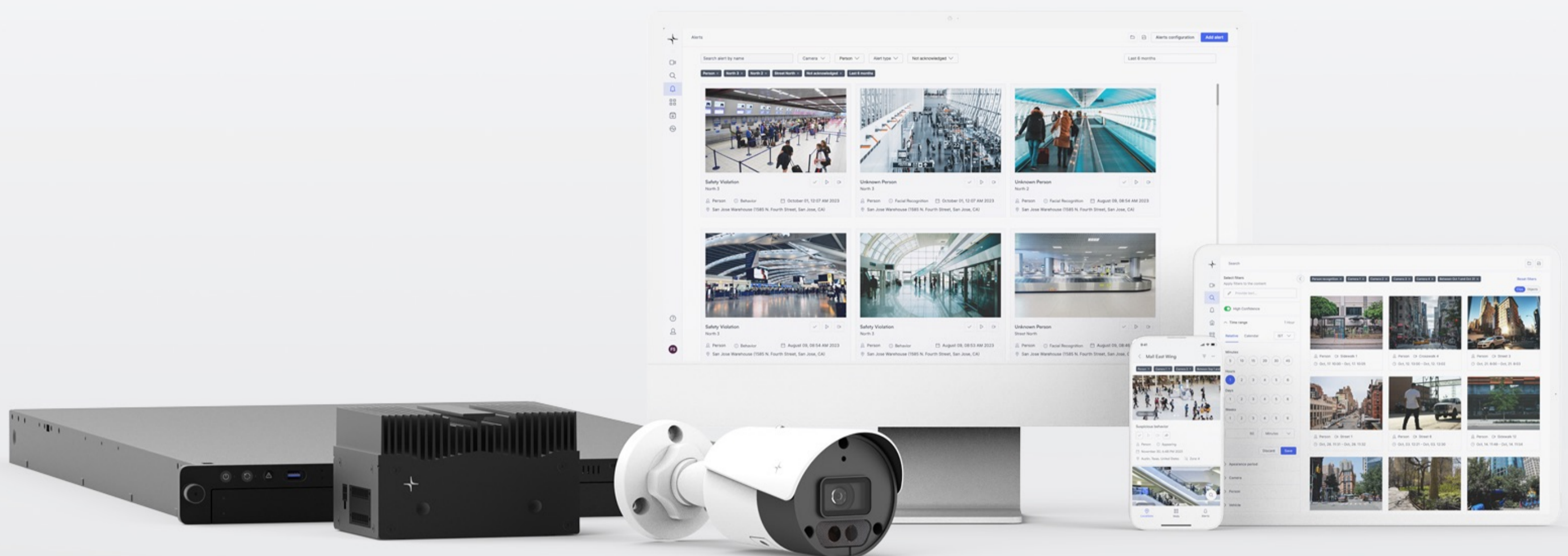
Actionable intelligence

Self-learning AI adapts to your environment to predict anomalies and trigger automatic alerts for more proactive response.

Infinitely scalable

Manage unlimited cameras and users from one platform and utilize AI to empower your team to do more with fewer resources.

Lumana is an all-in-one, AI-powered video security solution



Modern system management

Designed for easy deployment and enhanced reliability, Lumana delivers the best from on-premise and cloud solutions for a modern and refined security experience.

- Centralized management and secure remote access
- Plug-and-play setup — integrate visual AI in minutes
- Automatic updates and system health monitoring



Next-generation AI features

Patented AI and machine learning algorithms empower your team to operate more efficiently by delivering unparalleled visibility and new business insights at scale.

- Receive real-time alerts for immediate response
- Find people or vehicles of interest in seconds
- New AI features and system upgrades at no cost



Secure by default architecture

From camera endpoint to application security, Lumana features enterprise cybersecurity protocols to provide powerful AI video security built with data privacy in mind.

- End-to-end encryption for data at rest and in transit
 - No port forwarding or inbound network traffic
- Automatic security updates and routine pen tests



Built for enterprise deployments

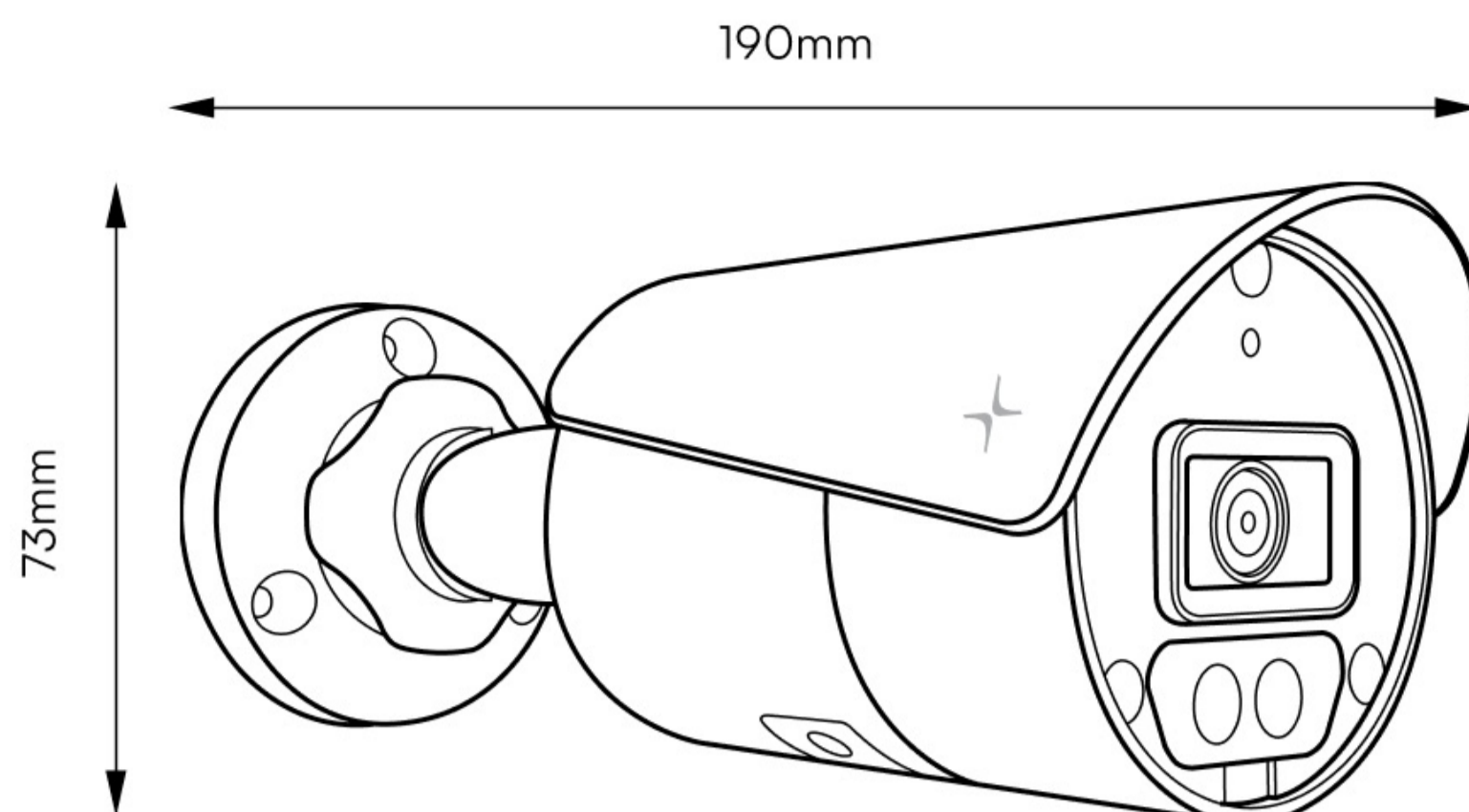
Whether you have 50 or 500 cameras, Lumana simplifies security with modern video management and proactive AI to help you focus on what matters most.

- Easy-to-use software accessible from web or mobile app
- Real-time AI to help users operate 10x more efficiently
- Distributed architecture for better performance and cost

Lumana LUM-REC-B800

Bullet Camera

8MP, Indoor/Outdoor



Camera Features

Image sensor	1/2.7", 8.0 megapixel, progressive scan, CMOS	Field of view	H: 112.9° V: 59.1° D: 121.2°
Sensor resolution	3840 x 2160px	Sensor movement	Pan: 0° ~ 360° Tilt: 0° ~ 90° Rotate: 0° ~ 360°
Lens type	Fixed-focal	Shutter speed	1 ~ 1/1000000s
Focal length	2.8mm	Day/Night	IR-cut filter with auto switch (ICR)
Aperture	F1.6	IR range	Up to 50m (164ft)
Iris	N/A	WDR	120dB

Standard Video Settings

Compression	Ultra 265, H.265, H.264, MJPEG	Historical video settings	Dynamic Storage*
Frame rate	Max 30fps / Min 20fps	White balance	Auto/Outdoor/Fine Tune/ Sodium Lamp/Locked/Auto2
Bitrate	128 Kbps ~ 16 Mbps	Digital noise reduction	2D/3D DNR
9:16 corridor mode	Supported	Flip	Normal/Vertical/ Horizontal/180°/90°Clockwise/ 90°Anti-clockwise

Standard Audio Settings

Audio	Supported	Interface	Built in microphone
--------------	-----------	------------------	---------------------

Power and Network

Power input	DC 12V±25%, PoE (IEEE 802.3af)	Protocols	IPv4, IGMP, ICMP, ARP, TCP, UDP, DHCP, RTP, RTSP, RTCP, RTMP, DNS, DDNS, NTP, FTP, UPnP, HTTP, HTTPS, SMTP, SSL/TLS, 802.1x, SNMP
Power consumption	Max 6.5W	Compatible integration	ONVIF, API
Connectivity	1 x RJ45 10M/100M Base-TX Ethernet 1 x Ø 5.5mm coaxial power plug (optional, in case PoE isnt supported)		

Mechanical

Dimensions (H×W×L)	73 × 71 × 190mm (2.9" × 2.8" × 7.5")	Weight	0.45kg (0.99lb)
Body	Metal		

Environmental

Operating temperature	-30°C ~ 60°C (-22°F ~ 140°F)	Humidity	≤95% RH (non-condensing)
Ingress protection	IP67		

Ownership

Warranty	Lifetime**	Support	24/7 U.S. based support
Certifications	NDAA, FCC Part 15, EN 60950-1, UL60950-1, IEC 60950-1		

*All Lumana cameras store footage dynamically on the Lumana Core based on activity. A combination of standard-quality and high-quality images and videos is captured to ensure optimal footage during critical events.

**Must have active Lumana subscription to qualify for lifetime warranty.