



Lumana LUM-REC-PTZ5

# Pan-Tilt-Zoom Camera

5MP Active PTZ, Indoor/Outdoor



5MP image sensor delivers sharp full-HD, 2880x1620 video resolution



50m / 164ft infrared illuminators for greater nighttime visibility

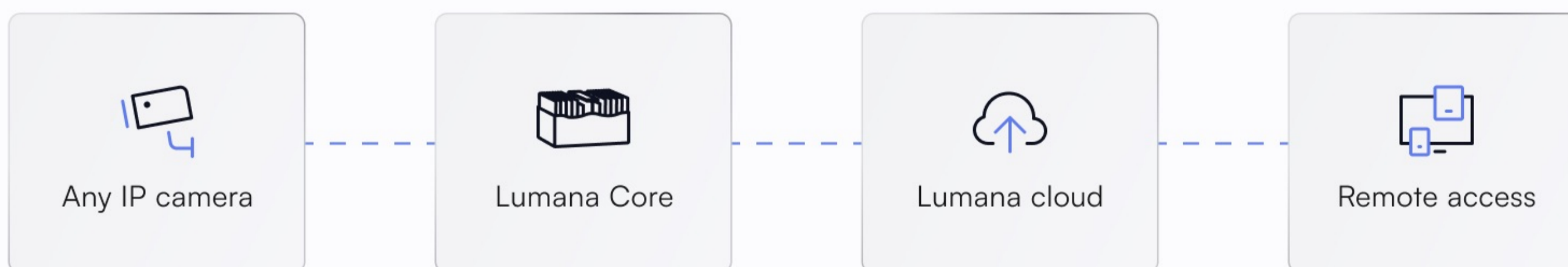


Real-time AI processing and minimal bandwidth impact (~100 Kbps)



Ready for any environment with IP66 weatherproof

## Lumana hybrid-cloud architecture



### Camera agnostic

Open platform provides powerful AI analytics to any security camera for greater situational awareness and operational efficiency.

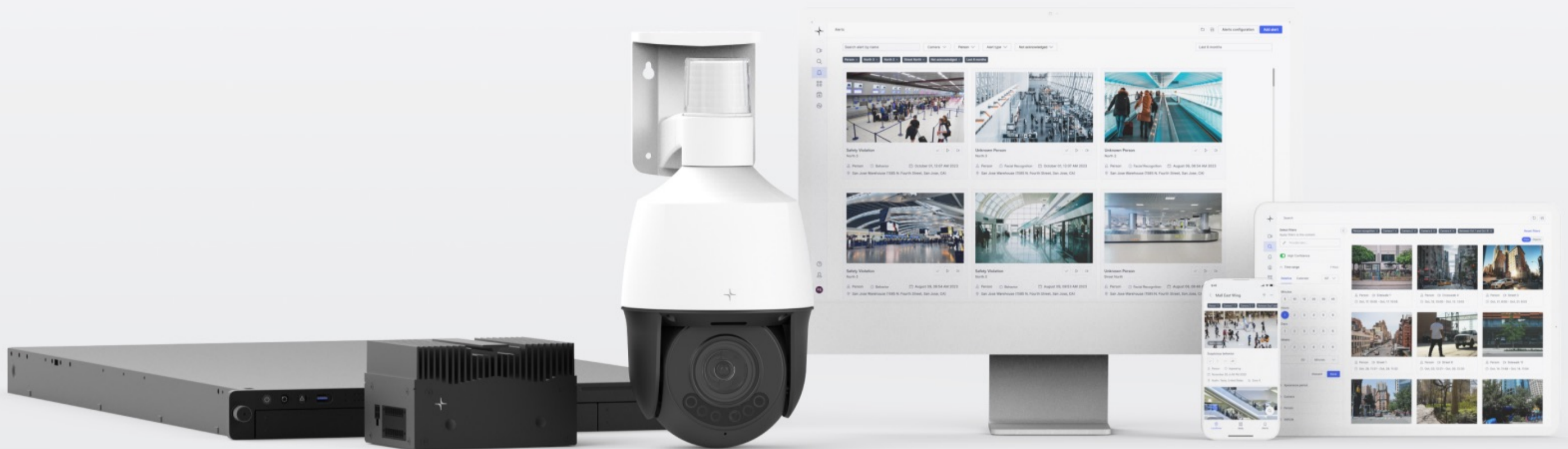
### Actionable intelligence

Self-learning AI adapts to your environment to predict anomalies and trigger automatic alerts for more proactive response.

### Infinitely scalable

Manage unlimited cameras and users from one platform and utilize AI to empower your team to do more with fewer resources.

# Lumana is an all-in-one, AI-powered video security solution



## Modern system management

Designed for easy deployment and enhanced reliability, Lumana delivers the best from on-premise and cloud solutions for a modern and refined security experience.

- Centralized management and secure remote access
- Plug-and-play setup — integrate visual AI in minutes
- Automatic updates and system health monitoring



## Secure by default architecture

From camera endpoint to application security, Lumana features enterprise cybersecurity protocols to provide powerful AI video security built with data privacy in mind.

- End-to-end encryption for data at rest and in transit
  - No port forwarding or inbound network traffic
- Automatic security updates and routine pen tests



## Next-generation AI features

Patented AI and machine learning algorithms empower your team to operate more efficiently by delivering unparalleled visibility and new business insights at scale.

- Receive real-time alerts for immediate response
- Find people or vehicles of interest in seconds
- New AI features and system upgrades at no cost



## Built for enterprise deployments

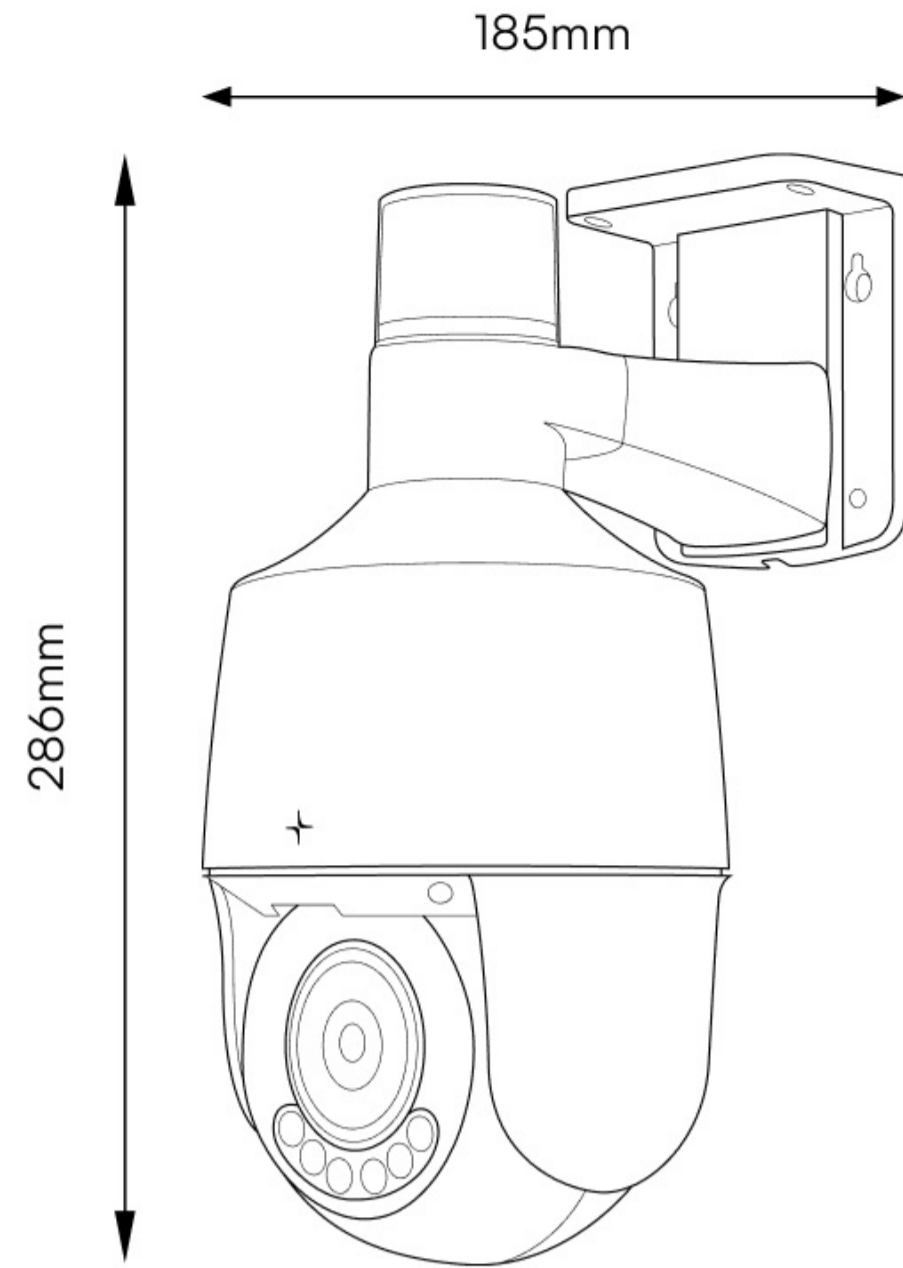
Whether you have 50 or 500 cameras, Lumana simplifies security with modern video management and proactive AI to help you focus on what matters most.

- Easy-to-use software accessible from web or mobile app
- Real-time AI to help users operate 10x more efficiently
- Distributed architecture for better performance and cost

Lumana LUM-REC-PTZ5

# Pan-Tilt-Zoom Camera

5MP Active PTZ, Indoor/Outdoor



## Camera Features

<b>Image sensor</b>	1/2.7", 5.0 megapixel, progressive scan, CMOS	<b>DORI distance</b>	Detect: 8 - 24m Observe: 79 - 236m Recognize: 32 - 95m Identify: 116 - 47m
<b>Sensor resolution</b>	2880 x 1620px	<b>Sensor movement</b>	Pan: 0° ~ 345° Tilt: -10° ~ 100°
<b>Lens type</b>	5x optical zoom	<b>Shutter speed</b>	1 ~ 1/1000000s
<b>Aperture</b>	F1.8	<b>WDR</b>	120dB
<b>Focal length</b>	2.7 - 13.5 mm	<b>IR range</b>	Up to 50m (164ft)
<b>Field of view</b>	H: 106.9° ~ 30.6° V: 56° ~ 17.7° D: 131.5° ~ -36.1°	<b>Day/Night</b>	IR-cut filter with auto switch (ICR)

## Standard Video Settings

<b>Compression</b>	Ultra 265, H.265, H.264, MJPEG	<b>Historical video settings</b>	Dynamic Storage*
<b>Frame rate</b>	Main Stream: 5MP, Max 30fps Sub Stream: 720P, Max 30fps Third Stream: D1, Max 30fps	<b>White balance</b>	Auto/Outdoor/Fine Tune/ Sodium Lamp/Locked/Auto2
<b>Bitrate</b>	128 Kbps ~ 16 Mbps	<b>Digital noise reduction</b>	2D/3D DNR
<b>Flip</b>	Normal/Flip Vertical/ Flip Horizontal/180°	<b>Smart IR</b>	Supported

## Standard Audio Settings

<b>Two-way audio</b>	Supported	<b>Audio bitrate</b>	128 Kbps
<b>Audio compression</b>	G.711U, G.711A	<b>Sampling rate</b>	16KHz

## Power and Network

<b>Power input</b>	DC12V(±25%), PoE(IEEE 802.3at)	<b>Protocols</b>	TLS1.3; SSH; IGMP; RTP; RTCP; SMTP; IPv4; IPv6; ICMP; ARP; TCP; UDP; DHCP; PPPoE; RTSP; RTMP; DNS; DDNS; NTP; FTP; UPnP; HTTP; HTTPS; 802.1x; SNMP; QoS; SSL/TLS
<b>Power consumption</b>	18W	<b>Compatible integration</b>	ONVIF (Profile S, Profile G, Profile T); API
<b>Connectivity</b>	Ø 5.5mm coaxial power plug		

## Mechanical

<b>Dimensions</b>	286mm x 185mm (11.3" x 7.3")	<b>Weight</b>	0.788kg (1.73lb)
<b>Body</b>	Metal + Plastic		

## Environmental

<b>Operating temperature</b>	-30°C ~ 60°C (-22°F ~ 140°F)	<b>Humidity</b>	≤95% RH (non-condensing)
<b>Ingress protection</b>	IP66		

## Ownership

<b>Warranty</b>	Lifetime**	<b>Support</b>	24/7 U.S. based support
<b>Certifications</b>	NDAA, CE-LVD, UL 62368-1, CE-ROHS		

\*All Lumana cameras store footage dynamically on the Lumana Core based on activity. A combination of standard-quality and high-quality images and videos is captured to ensure optimal footage during critical events.

\*\*Must have active Lumana subscription to qualify for lifetime warranty.