



Lumana LUM-REC-OZ500

# Turret Camera

5MP Optical Zoom, Indoor/Outdoor



5MP image sensor delivers sharp full-HD, 2880x1620 video resolution



40m / 131ft infrared illuminators for greater nighttime visibility

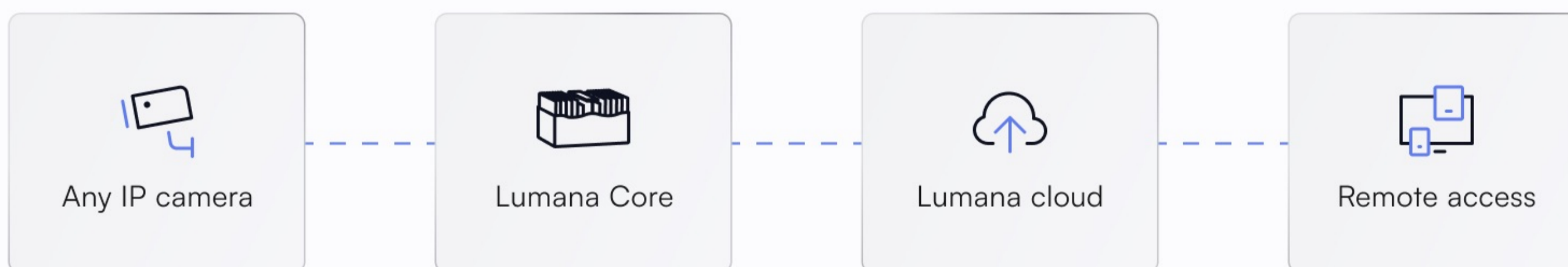


Real-time AI processing and minimal bandwidth impact (~100 Kbps)



Ready for any environment with IP67 weatherproof

## Lumana hybrid-cloud architecture



### Camera agnostic

Open platform provides powerful AI analytics to any security camera for greater situational awareness and operational efficiency.

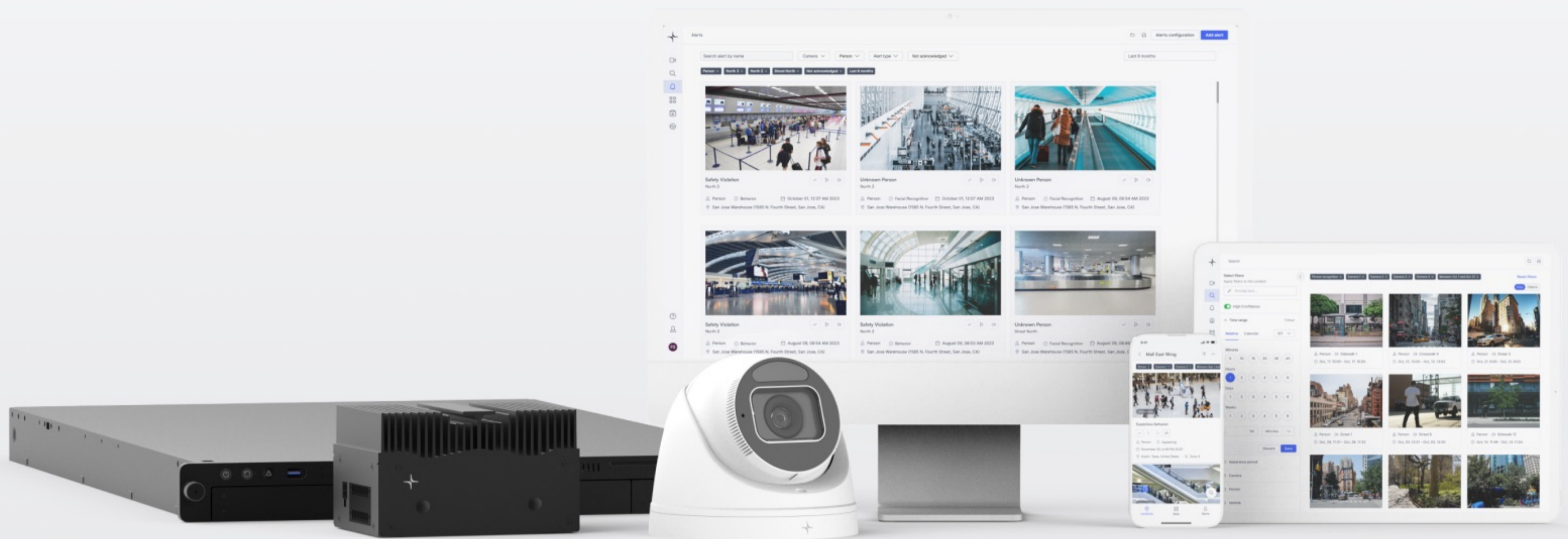
### Actionable intelligence

Self-learning AI adapts to your environment to predict anomalies and trigger automatic alerts for more proactive response.

### Infinitely scalable

Manage unlimited cameras and users from one platform and utilize AI to empower your team to do more with fewer resources.

# Lumana is an all-in-one, AI-powered video security solution



## Modern system management

Designed for easy deployment and enhanced reliability, Lumana delivers the best from on-premise and cloud solutions for a modern and refined security experience.

- Centralized management and secure remote access
- Plug-and-play setup — integrate visual AI in minutes
- Automatic updates and system health monitoring



## Secure by default architecture

From camera endpoint to application security, Lumana features enterprise cybersecurity protocols to provide powerful AI video security built with data privacy in mind.

- End-to-end encryption for data at rest and in transit
  - No port forwarding or inbound network traffic
- Automatic security updates and routine pen tests



## Next-generation AI features

Patented AI and machine learning algorithms empower your team to operate more efficiently by delivering unparalleled visibility and new business insights at scale.

- Receive real-time alerts for immediate response
- Find people or vehicles of interest in seconds
- New AI features and system upgrades at no cost



## Built for enterprise deployments

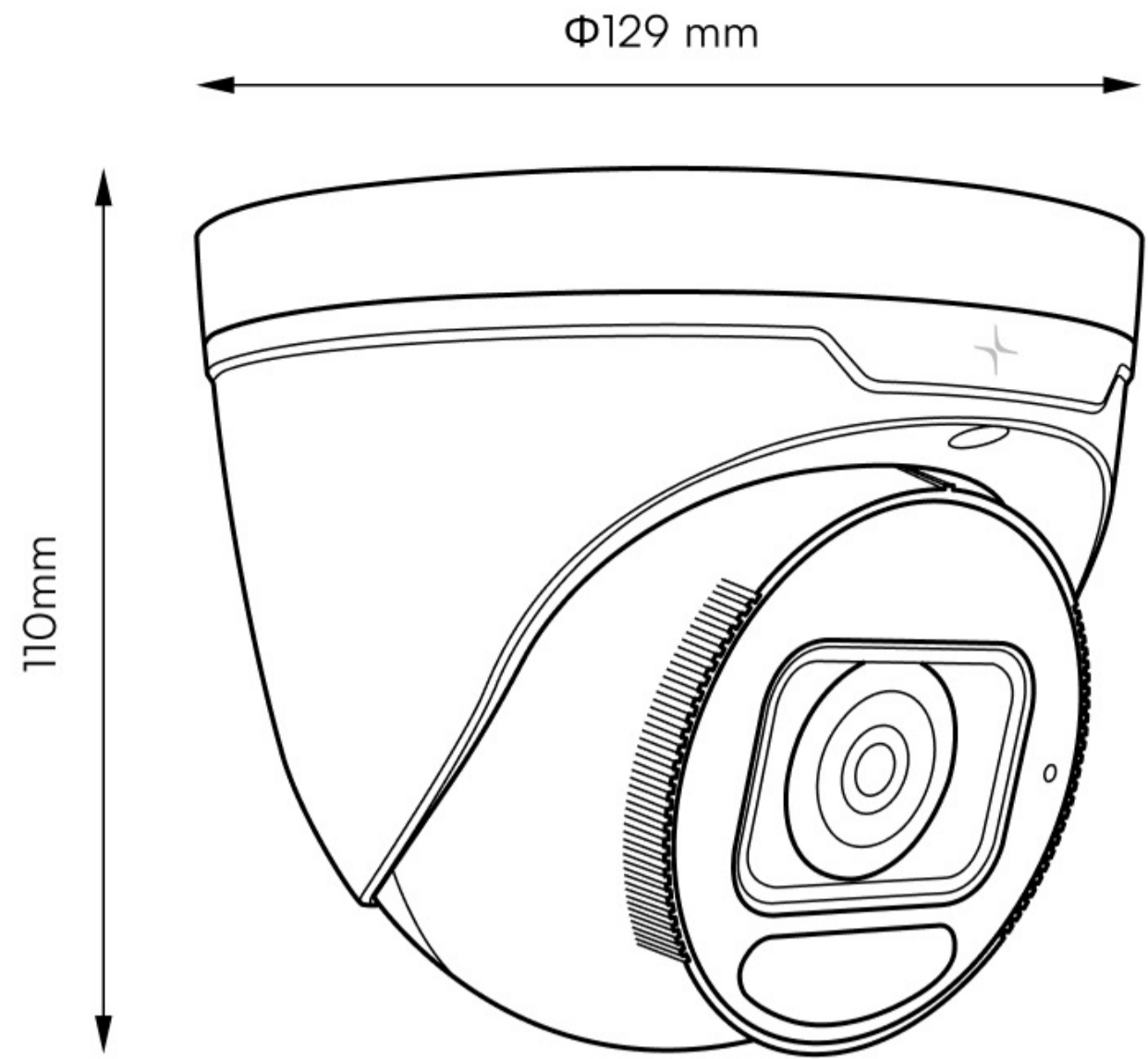
Whether you have 50 or 500 cameras, Lumana simplifies security with modern video management and proactive AI to help you focus on what matters most.

- Easy-to-use software accessible from web or mobile app
- Real-time AI to help users operate 10x more efficiently
- Distributed architecture for better performance and cost

Lumana LUM-REC-OZ500

# Turret Camera

5MP Optical Zoom, Indoor/Outdoor



## Camera Features

<b>Image sensor</b>	1/2.7", 5.0 megapixel, progressive scan, CMOS	<b>Field of view</b>	H: 63.7° V: 32.7° D: 64.0°
<b>Sensor resolution</b>	2880 x 1620px	<b>Sensor movement</b>	Pan: 0° ~ 360° Tilt: 0° ~ 75° Rotate: 0° ~ 360°
<b>Lens type</b>	Zoom	<b>Shutter speed</b>	1 ~ 1/1000000s
<b>Focal length</b>	2.8 - 12mm	<b>Day/Night</b>	IR-cut filter with auto switch (ICR)
<b>Aperture</b>	F1.6	<b>IR range</b>	Up to 40m (131ft)
<b>Iris</b>	Fixed	<b>WDR</b>	120dB

## Standard Video Settings

<b>Compression</b>	Ultra 265, H.265, H.264, MJPEG	<b>Historical video settings</b>	Dynamic Storage*
<b>Frame rate</b>	30fps	<b>White balance</b>	Auto/Outdoor/Fine Tune/ Sodium Lamp/Locked/Auto2
<b>Bitrate</b>	128 Kbps ~ 6144 Kbps	<b>Digital noise reduction</b>	2D/3D DNR
<b>9:16 corridor mode</b>	Supported	<b>Flip</b>	Normal/Vertical/ Horizontal/180°/90°Clockwise/ 90°Anti-clockwise

## Standard Audio Settings

---

<b>Audio</b>	Supported	<b>Interface</b>	Built in microphone
--------------	-----------	------------------	---------------------

---

## Power and Network

---

<b>Power input</b>	DC 12V±25%, PoE (IEEE 802.3af)	<b>Protocols</b>	IPv4, IGMP, ICMP, ARP, TCP, UDP, DHCP, RTP, RTSP, RTCP, RTMP, DNS, DDNS, NTP, FTP, UPnP, HTTP, HTTPS, SMTP, SSL/TLS, QoS, SNMP
<b>Surge protection</b>	6KV	<b>Compatible integration</b>	ONVIF, API, SDK
<b>Connectivity</b>	1 x RJ45 10M/100M Base-TX Ethernet 1 x Ø 5.5mm coaxial power plug		

---

## Mechanical

---

<b>Dimensions</b>	Ø129 x 110mm (Ø5.1" x 4.3")	<b>Weight</b>	0.66kg (1.46lb)
<b>Body</b>	Metal + Plastic		

---

## Environmental

---

<b>Operating temperature</b>	-30°C ~ 60°C (-22°F ~ 140°F)	<b>Humidity</b>	≤95% RH (non-condensing)
<b>Ingress protection</b>	IP67		

---

## Ownership

---

<b>Warranty</b>	Lifetime**	<b>Support</b>	24/7 U.S. based support
<b>Certifications</b>	CE-EMC, NDAA, CE LVD, CB, UL/CUL, FCC Part 15, CE-RoHS		

---

\*All Lumana cameras store footage dynamically on the Lumana Core based on activity. A combination of standard-quality and high-quality images and videos is captured to ensure optimal footage during critical events.

\*\*Must have active Lumana subscription to qualify for lifetime warranty.