



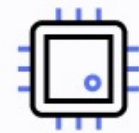
Lumana LUM252 / LUM254  
Core



Hybrid-cloud video security system with simple deployment and real-time edge processing



Optimizes existing camera infrastructure and brings visual intelligence to any workspace or environment



Best-in-class, self-learning AI algorithms tailored to your unique environment



Secure by default with enterprise-grade encryption and cybersecurity protocols

## Lumana hybrid-cloud architecture



Any IP camera



Lumana Core



Lumana cloud



Remote access

### Camera agnostic

Open platform provides powerful AI analytics to any security camera for greater situational awareness and operational efficiency.

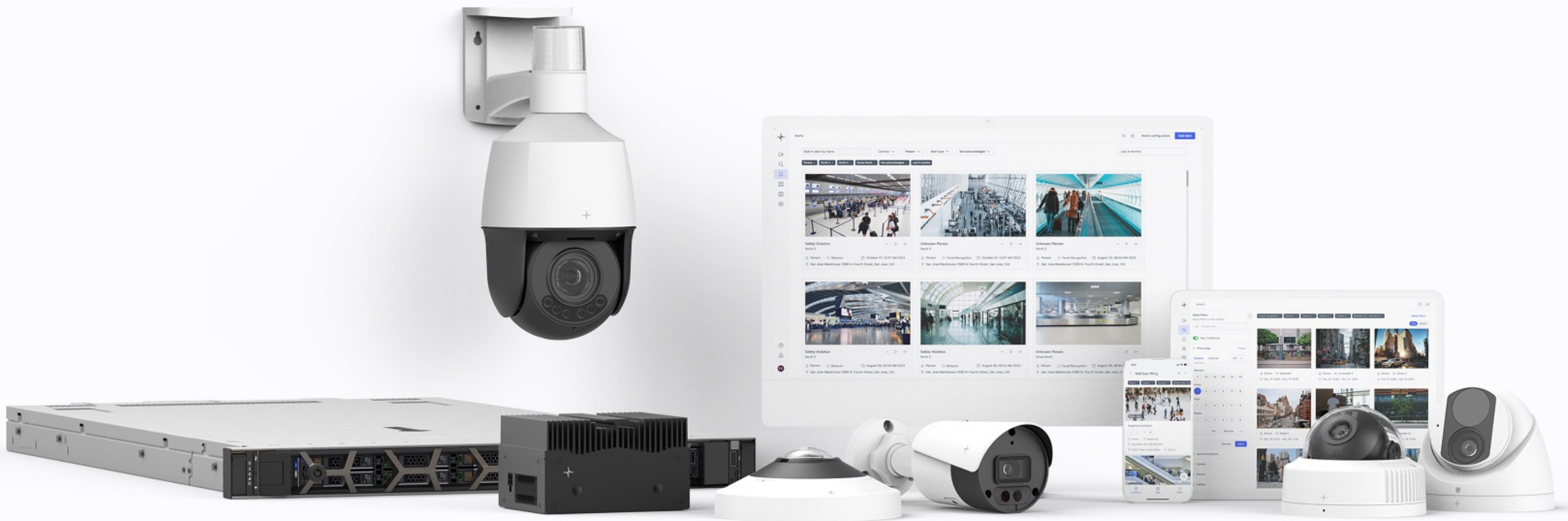
### Actionable intelligence

Self-learning AI adapts to your environment to predict anomalies and trigger automatic alerts for more proactive response.

### Infinitely scalable

Manage unlimited cameras and users from one platform and utilize AI to empower your team to do more with fewer resources.

# Lumana is an all-in-one, AI-powered video security solution



## Modern system management

Designed for easy deployment and enhanced reliability, Lumana delivers the best from on-premise and cloud solutions for a modern and refined security experience.

- Centralized management and secure remote access
- Plug-and-play setup — integrate visual AI in minutes
- Automatic updates and system health monitoring



## Secure by default architecture

From camera endpoint to application security, Lumana features enterprise cybersecurity protocols to provide powerful AI video security built with data privacy in mind.

- End-to-end encryption for data at rest and in transit
  - No port forwarding or inbound network traffic
  - Automatic security updates and routine pen tests



## Next-generation AI features

Patented AI and machine learning algorithms empower your team to operate more efficiently by delivering unparalleled visibility and new business insights at scale.

- Receive real-time alerts for immediate response
- Find people or vehicles of interest in seconds
- New AI features and system upgrades at no cost

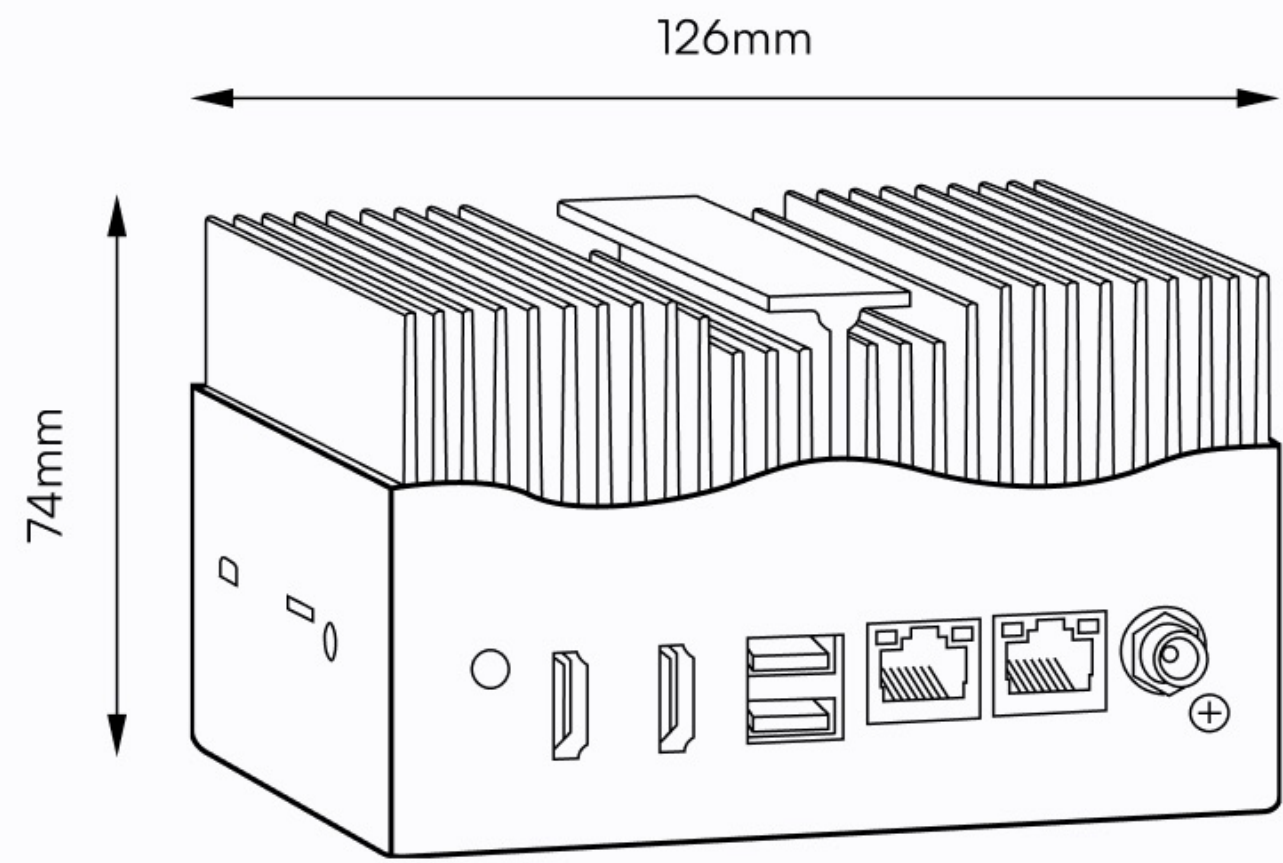


## Built for enterprise deployments

Whether you have 50 or 500 cameras, Lumana simplifies security with modern video management and proactive AI to help you focus on what matters most.

- Easy-to-use software accessible from web or mobile app
- Real-time AI to help users operate 10x more efficiently
- Distributed architecture for better performance and cost

 Lumana LUM252 / LUM254  
Core



## System

<b>Software</b>	Lumana VMS+	<b>Offline operation</b>	Full operation and recording
<b>Compression</b>	H.265, H.264	<b>Automatic updates</b>	Yes
<b>Bandwidth</b>	Steady-state: 100 Kbps/camera	<b>Input power</b>	100v/240v (50-60Hz)
<b>Networking</b>	2x GbE RJ-45	<b>Expansion header</b>	GPIO, I2C, UART
<b>Supported resolutions</b>	Up to 12MP (4000x3000)	<b>Storage</b>	Industrial-grade SSD
<b>AI processing</b>	Real-time	<b>Storage capability</b>	Up to 90 days local Up to 365 days in cloud

## Mechanical

<b>Dimensions (H×W×L)</b>	74 × 126 × 96mm (2.9" × 5.0" × 3.8")	<b>Weight</b>	1.1kg (2.42 lbs)
---------------------------	---	---------------	------------------

## Environmental

<b>Operating temperature</b>	-25°C ~ 60°C (-13°F ~ 140°F)	<b>Humidity</b>	40°C @ ≤95% RH (non-condensing)
------------------------------	------------------------------	-----------------	------------------------------------

## Ownership

<b>Warranty</b>	Warranty matches the license term	<b>Support</b>	24/7 U.S. based support
-----------------	-----------------------------------	----------------	-------------------------