



ALEA 40

The 40" Alea fire pit is handmade by Dekko in North America. Ships with your choice of NG or LP burner, one decorative aggregate option and chrome On/Off key.

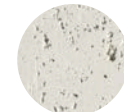
Size: 40"W x 40"D x 16"H
CSA/UL Approved Burner Assembly



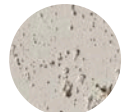
Colour Options



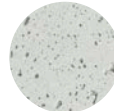
NATURAL



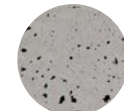
LIMESTONE



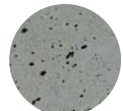
CLAY



ASH



SANDSTONE



CHARCOAL

Decorative Aggregate Options



IVORY BEACH STONE



SLATE BEACH STONE



BLACK LAVA ROCK

	Manual Ignition	Electronic Ignition
BTU/Hr	65,000	90,000
Weight	177 lbs	177 lbs
Fuel Options	NG/LP	NG/LP

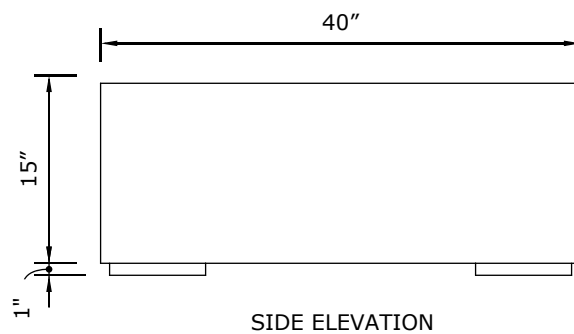
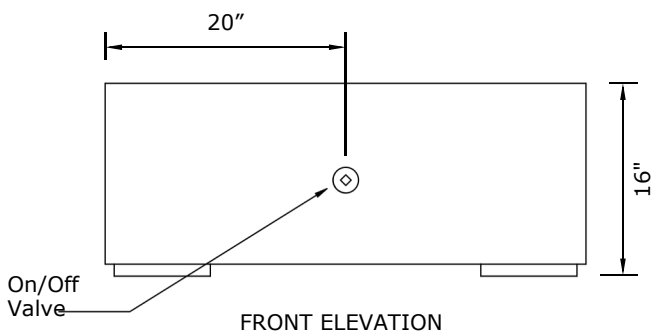
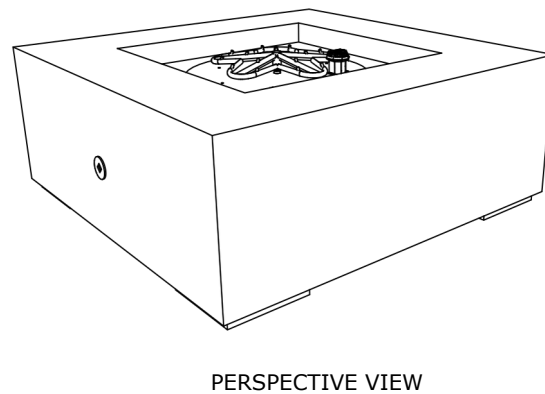
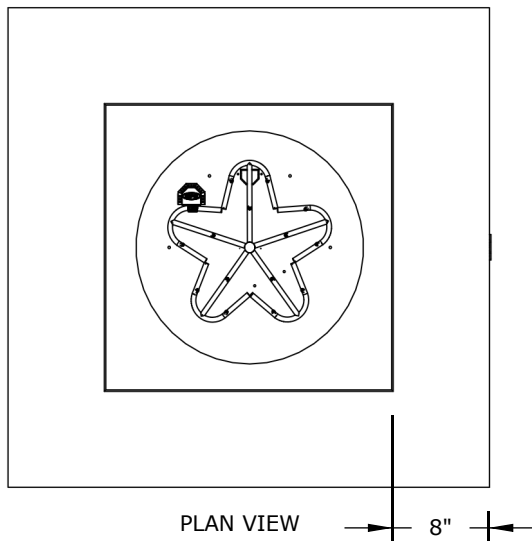
Optional Accessories:

Propane Tank Cover 16"W x 16"D x 21"H

Glass Wind Guard 31"W x 31"D x 6"H

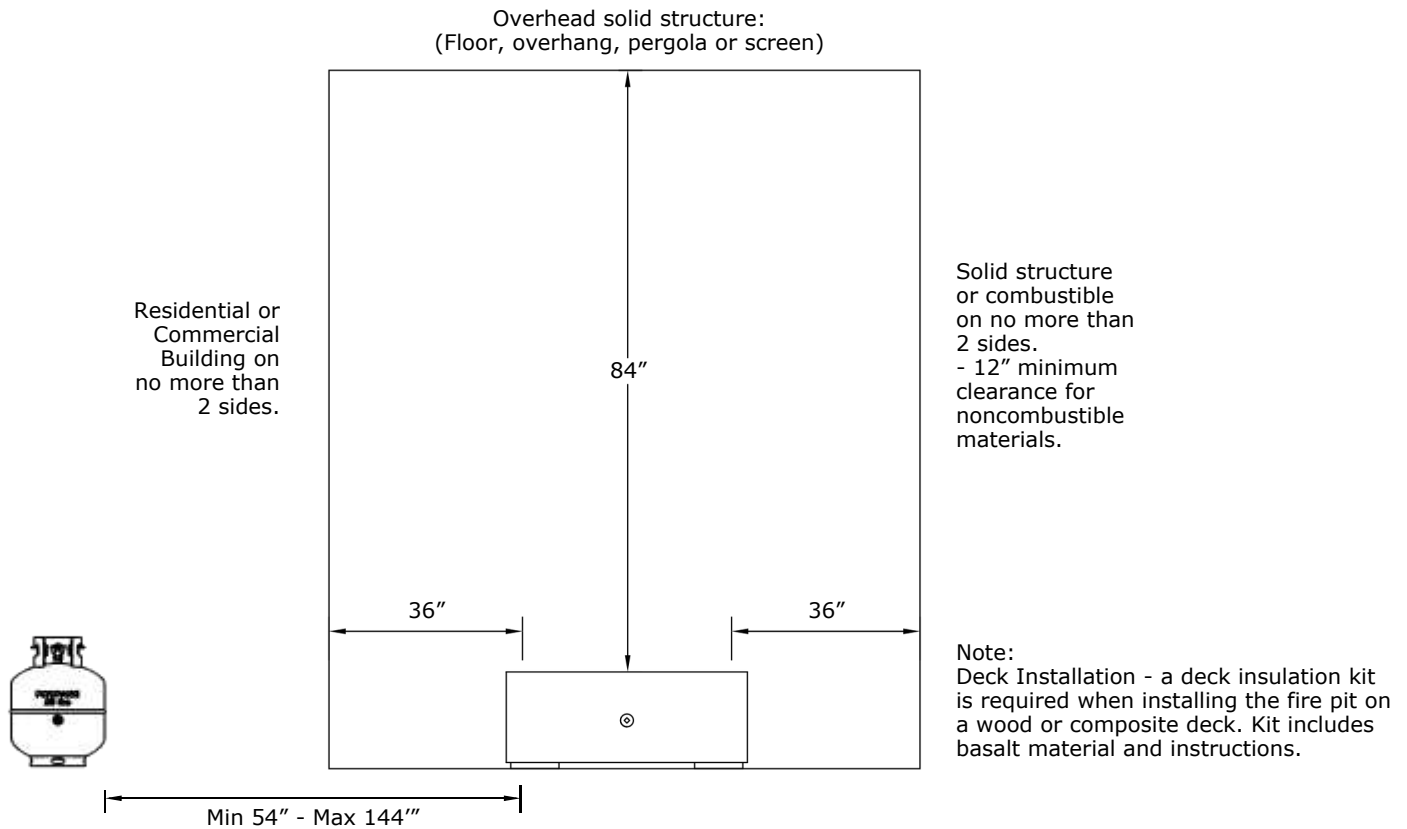
Vinyl Weather Cover

Powder Coated Aluminium Table Top 40"W x 40"D



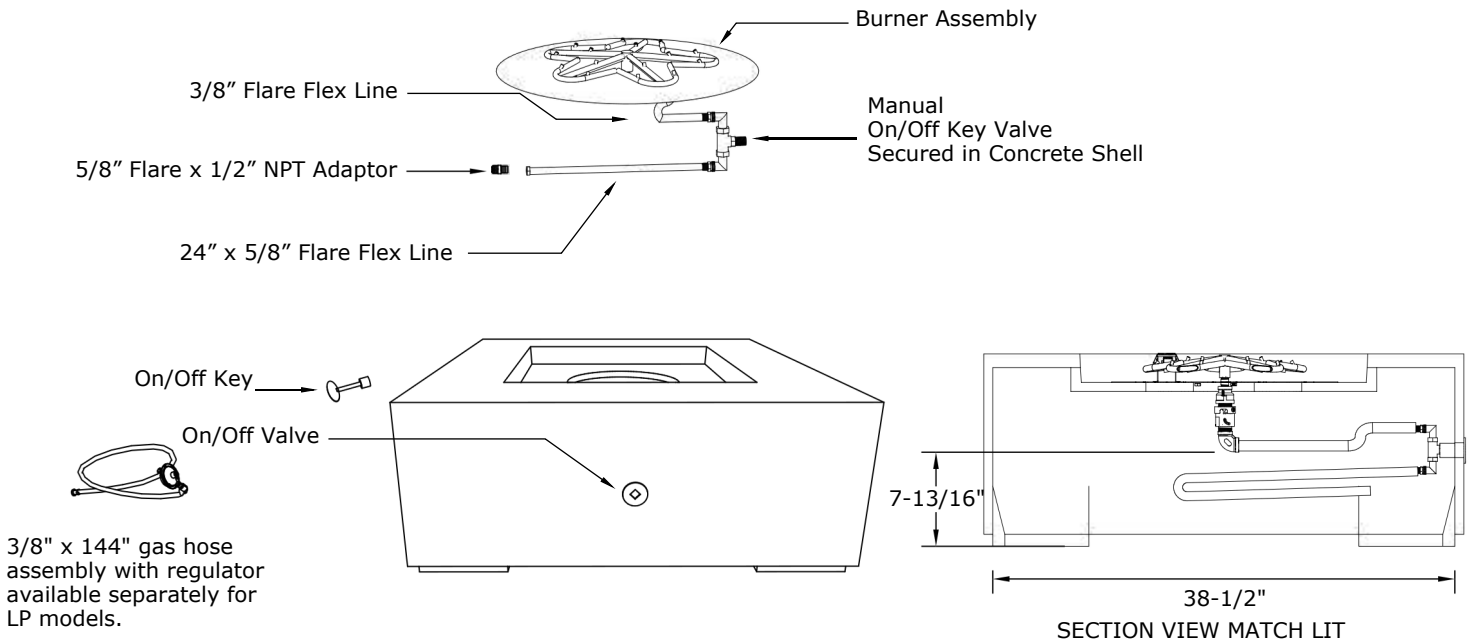


Clearances



Burner Assembly

18" Match Lit Burner

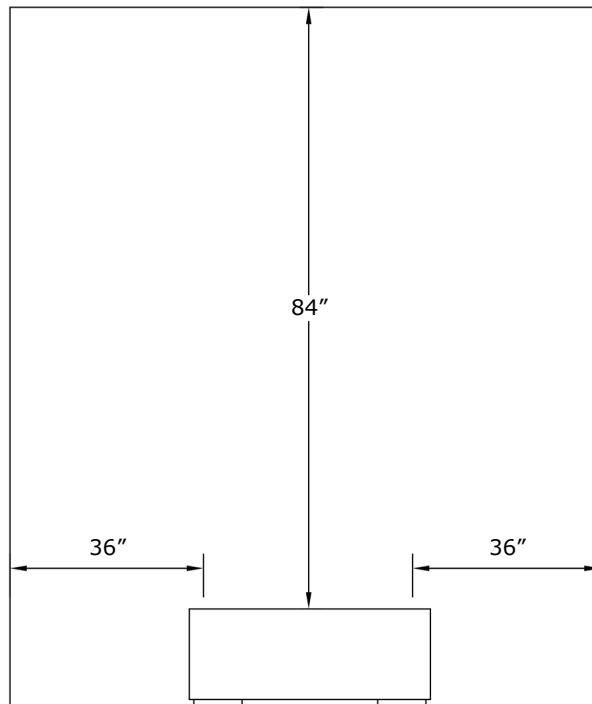




Clearances

Overhead solid structure:
(Floor, overhang, pergola or screen)

Residential or Commercial Building on no more than 2 sides.



Solid structure or combustible on no more than 2 sides.
- 12" minimum clearance for noncombustible materials.

Note:
Electronic ignition burners require a fixed piping gas supply. Not for use with portable LP tanks.

Note:
Deck Installation - if installing fire pit on a wood or composite deck, it is required to use the deck insulation kit. Kit includes basalt material and instructions.

Burner Assembly

Electrical: 120V Outdoor receptacle required. Must be installed and grounded in accordance with local codes.

18" Electronic Ignition Burner

