

The Alea fire pit is handmade by Dekko in North America. Ships with your choice of NG or LP burner, one decorative aggregate option and chrome On/Off key.

Size: 32"W x 32"D x 13"H
 CSA/US Approved Burner Assembly

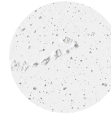


	Manual Ignition	Electronic Ignition
BTU/Hr	65,000	90,000
Weight	115 lbs	115 lbs
Fuel Options	NG/LP	NG/LP

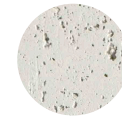
Optional Accessories:

- Propane Tank Cover 16"W x 16"D x 21"H
- Glass Wind Guard 25"W x 25"D x 6"H
- Vinyl Weather Cover
- Powder Coated Aluminium Table Top 32"W x 32"D

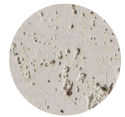
Colour Options



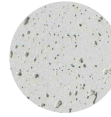
NATURAL



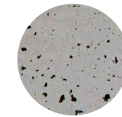
LIMESTONE



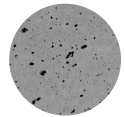
CLAY



ASH



SANDSTONE



CHARCOAL

Decorative Aggregate Options



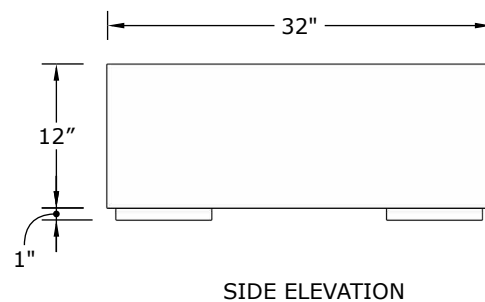
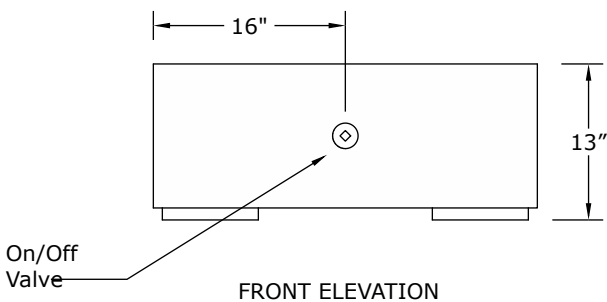
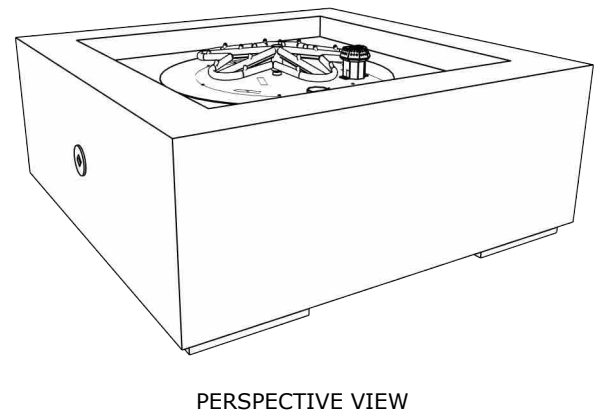
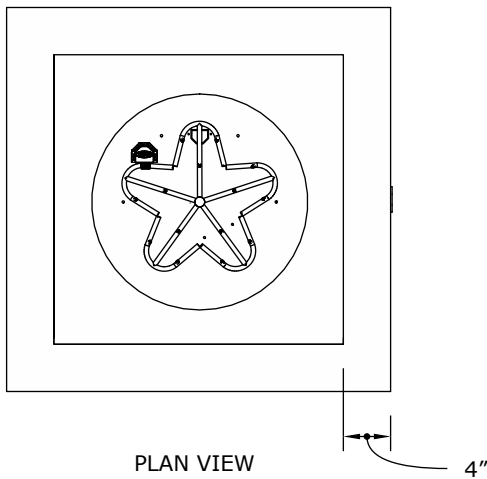
IVORY BEACH STONE



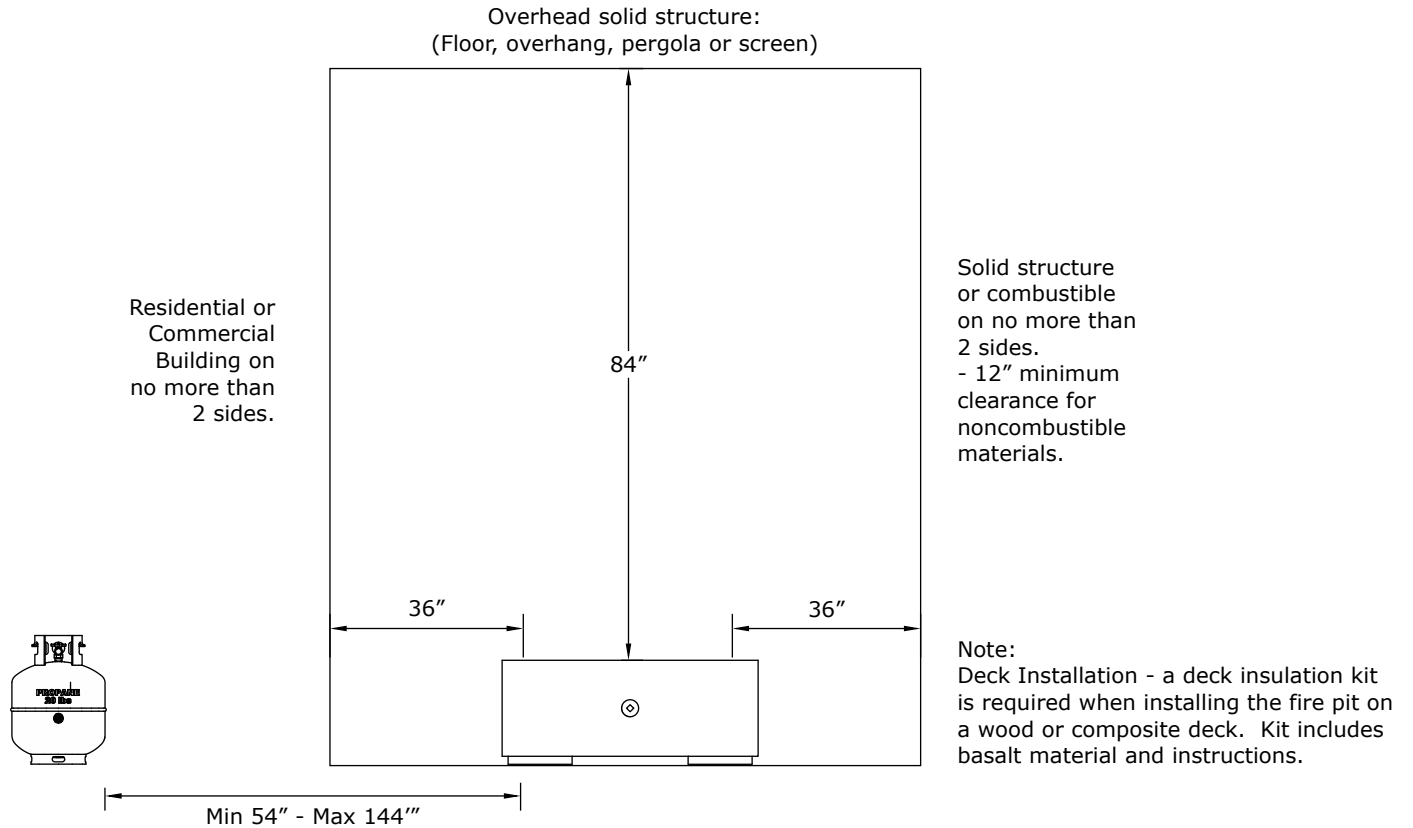
SLATE BEACH STONE



BLACK LAVA ROCK

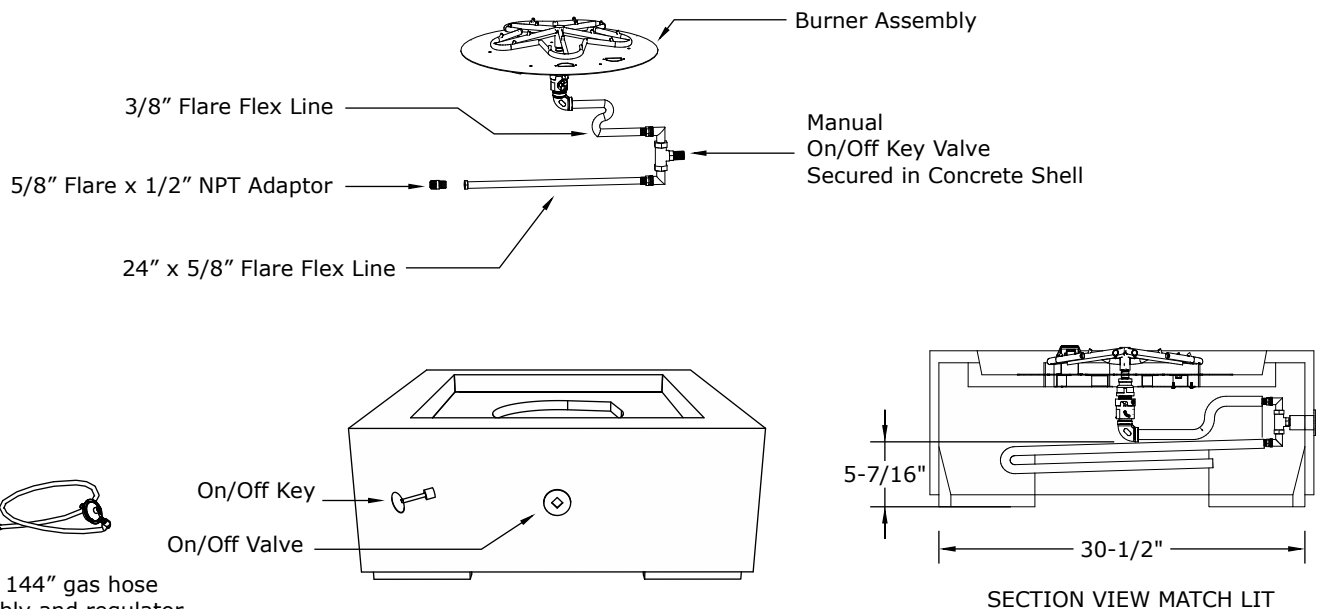


Clearances



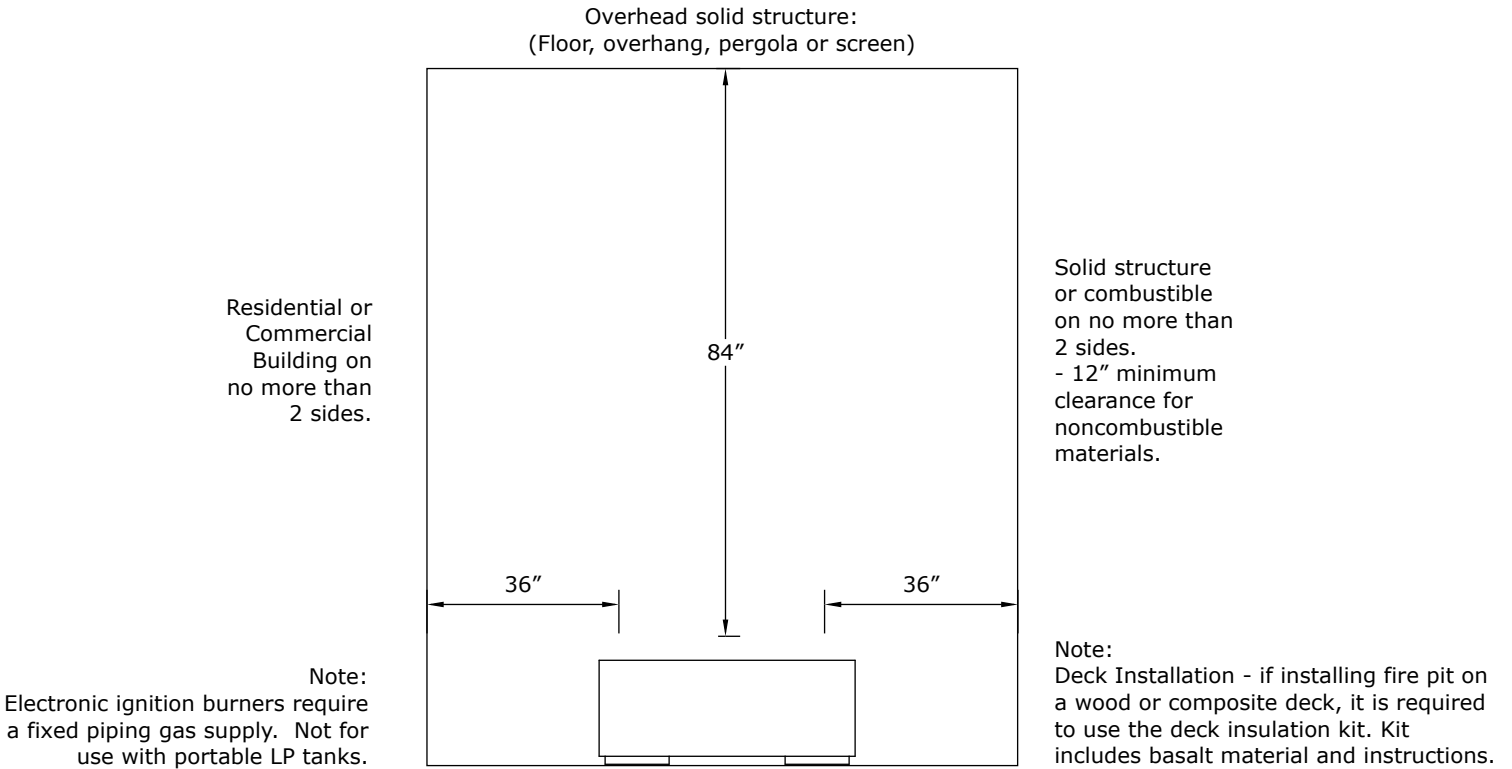
Burner Assembly

18" Match Lit Burner



3/8" x 144" gas hose assembly and regulator available separately with LP models

Clearances



Burner Assembly

Electrical:
120V Outdoor receptacle required. Must be installed and grounded in accordance with local codes.

18" Electronic Ignition Burner

