

# ALEA 40

The 40" Alea fire pit is handmade by Dekko in North America. Ships with your choice of NG or LP burner, one decorative aggregate option and chrome On/Off key.

Size: 40"W x 40"D x 16"H  
 CSA/US Approved Burner Assembly

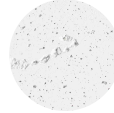


	Manual Ignition	Electronic Ignition
BTU/Hr	65,000	90,000
Weight	177 lbs	177 lbs
Fuel Options	NG/LP	NG/LP

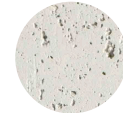
### Optional Accessories:

- Propane Tank Cover 16"W x 16"D x 21"H
- Glass Wind Guard 31"W x 31"D x 6"H
- Vinyl Weather Cover
- Powder Coated Aluminium Table Top 40"W x 40"D

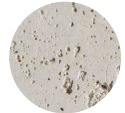
### Colour Options



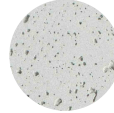
NATURAL



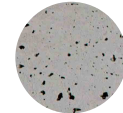
LIMESTONE



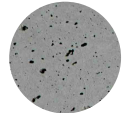
CLAY



ASH



SANDSTONE



CHARCOAL

### Decorative Aggregate Options



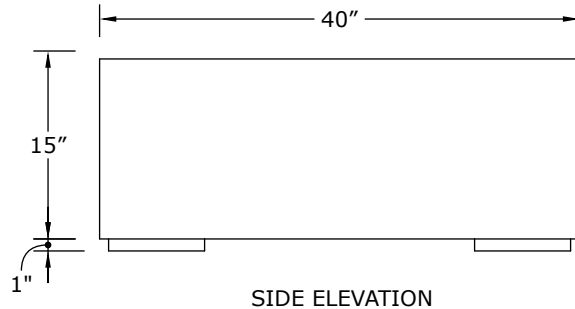
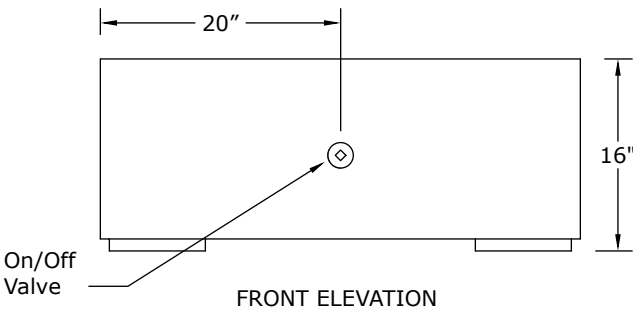
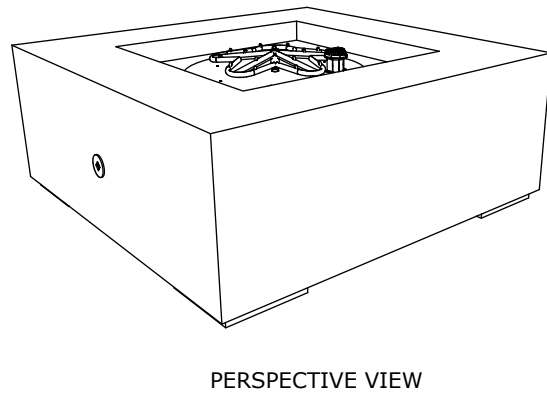
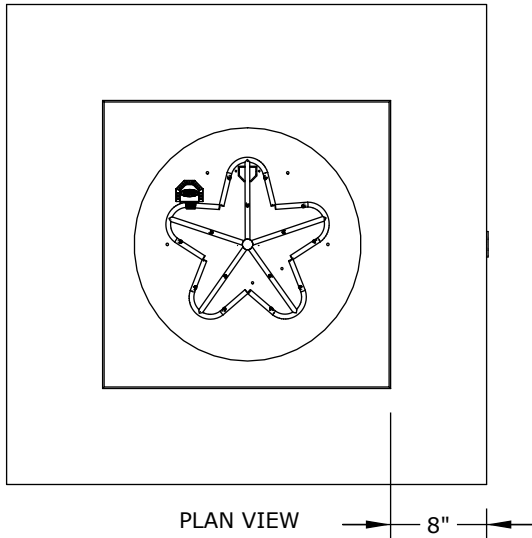
IVORY BEACH  
STONE



SLATE BEACH  
STONE

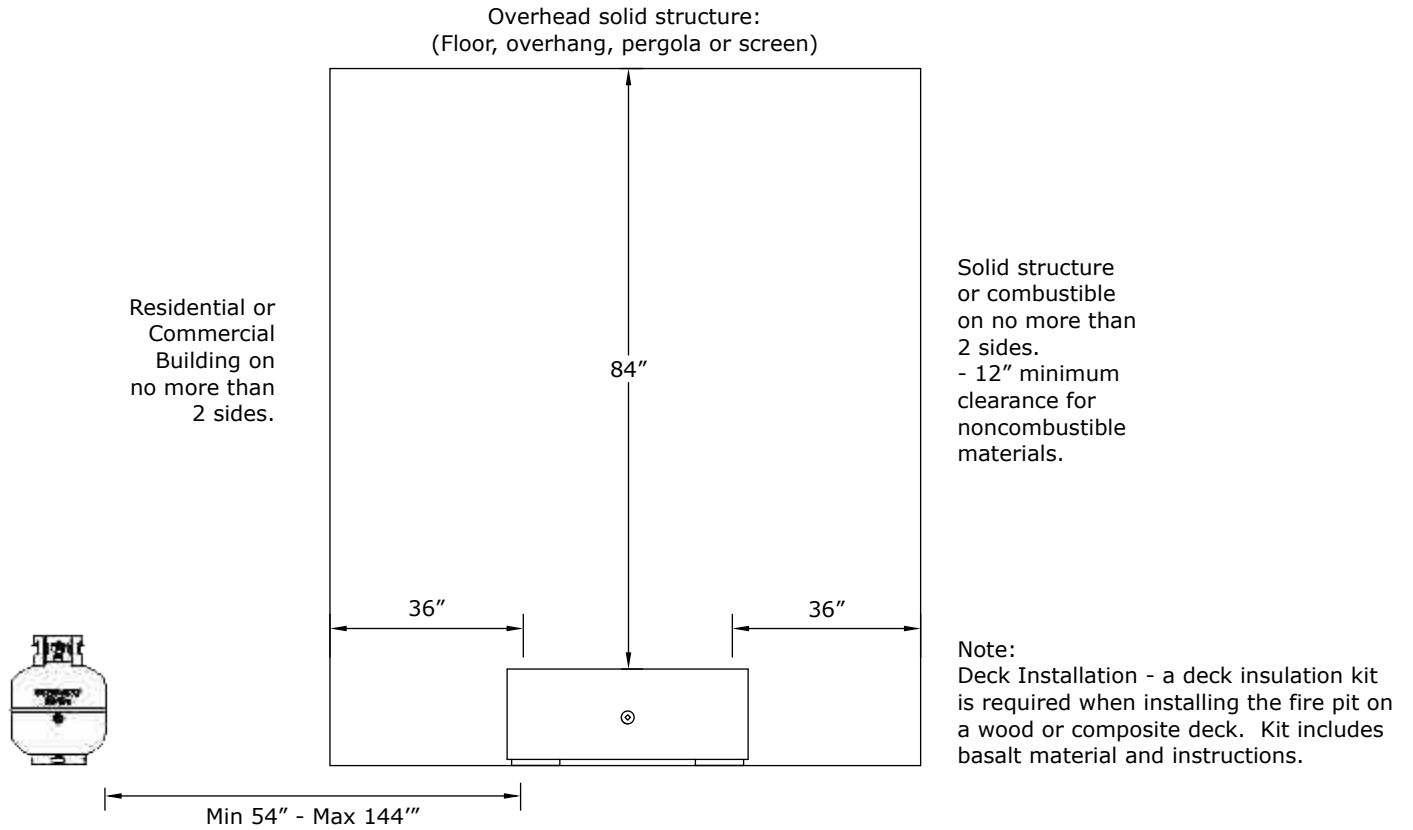


BLACK LAVA  
ROCK



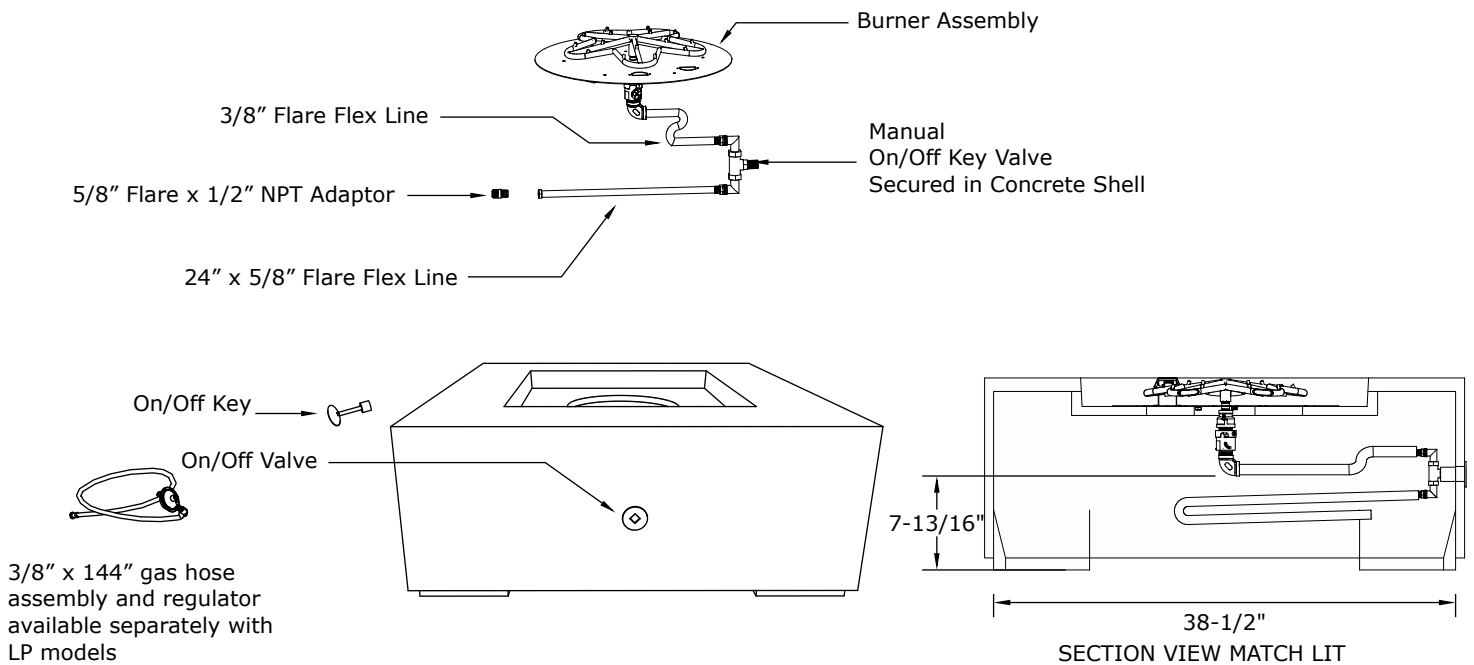


### Clearances



### Burner Assembly

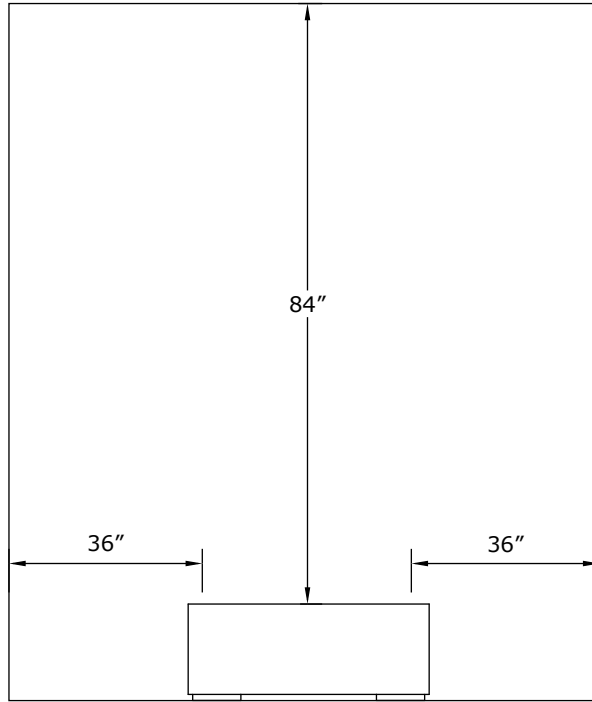
#### 18" Match Lit Burner





### Clearances

Overhead solid structure:  
(Floor, overhang, pergola or screen)



Residential or Commercial Building on no more than 2 sides.

Solid structure or combustible on no more than 2 sides.  
- 12" minimum clearance for noncombustible materials.

Note:

Electronic ignition burners require a fixed piping gas supply. Not for use with portable LP tanks.

Note:

Deck Installation - if installing fire pit on a wood or composite deck, it is required to use the deck insulation kit. Kit includes basalt material and instructions.

### Burner Assembly

#### Electrical:

120V Outdoor receptacle required. Must be installed and grounded in accordance with local codes.

18" Electronic Ignition Burner

