

The Element fire pit is handmade by Dekko in North America. Ships with your choice of NG or LP burner, one decorative aggregate option and chrome On/Off key.

Size: 20-1/2"W x 16"H
 CSA/US Approved Burner Assembly

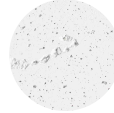


	Manual Ignition	Electronic Ignition
BTU/Hr	65,000	90,000
Weight	50 lbs	50 lbs
Fuel Options	NG/LP	NG/LP

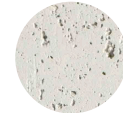
Optional Accessories:

- Propane Tank Cover 21"H x 16"W x 16"D
- Vinyl Weather Cover
- Powder Coated Aluminium Table Top 20-1/2"D

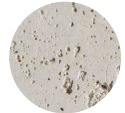
Colour Options



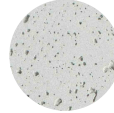
NATURAL



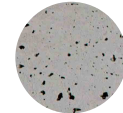
LIMESTONE



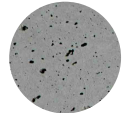
CLAY



ASH



SANDSTONE



CHARCOAL

Decorative Aggregate Options



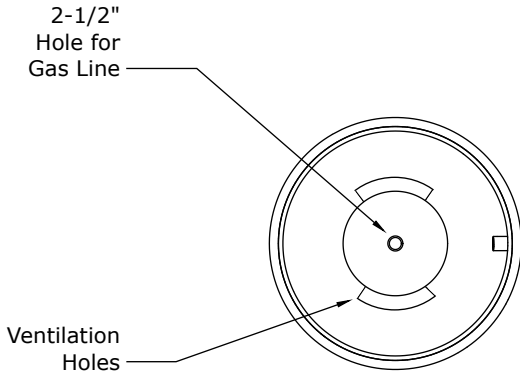
IVORY BEACH STONE



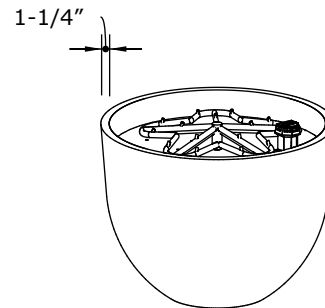
SLATE BEACH STONE



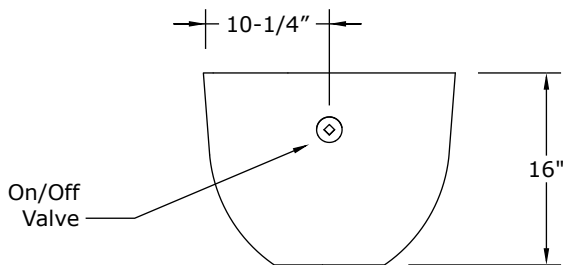
BLACK LAVA ROCK



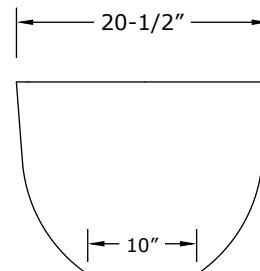
PLAN VIEW



PERSPECTIVE VIEW



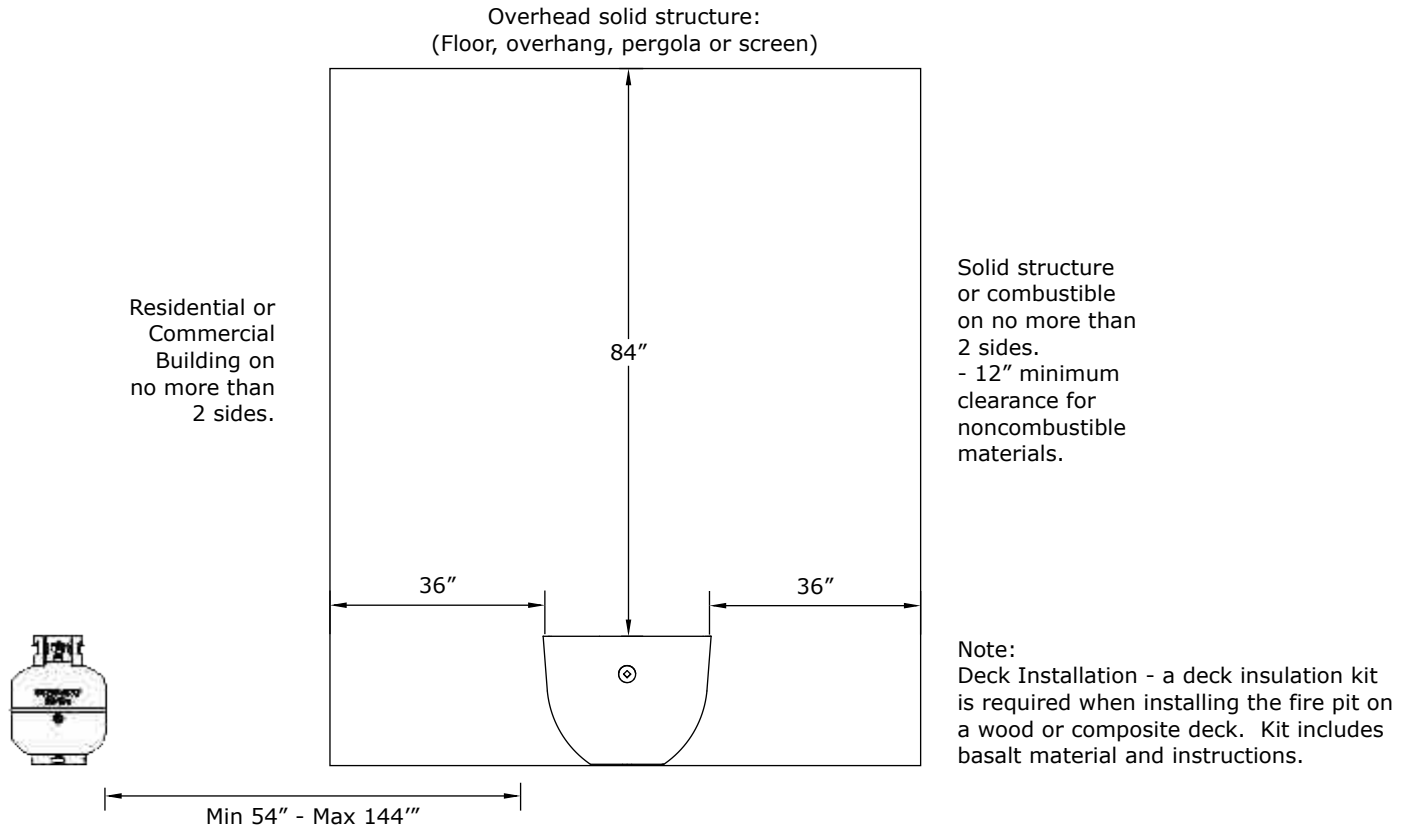
FRONT ELEVATION



SIDE ELEVATION

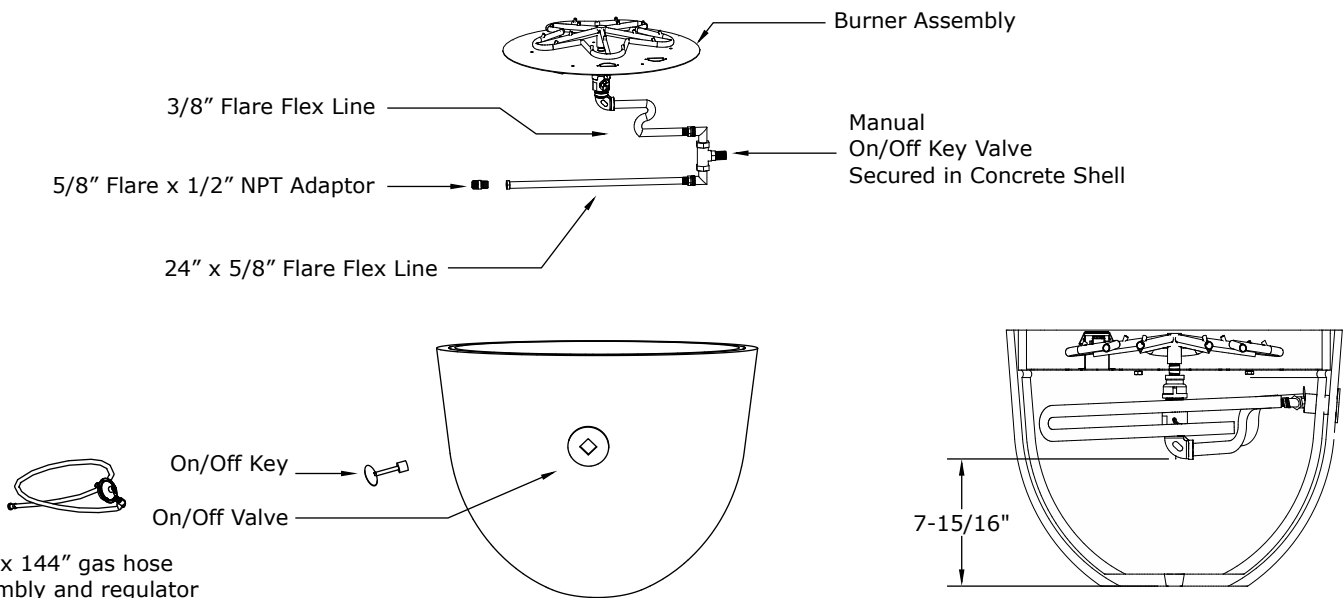


Clearances



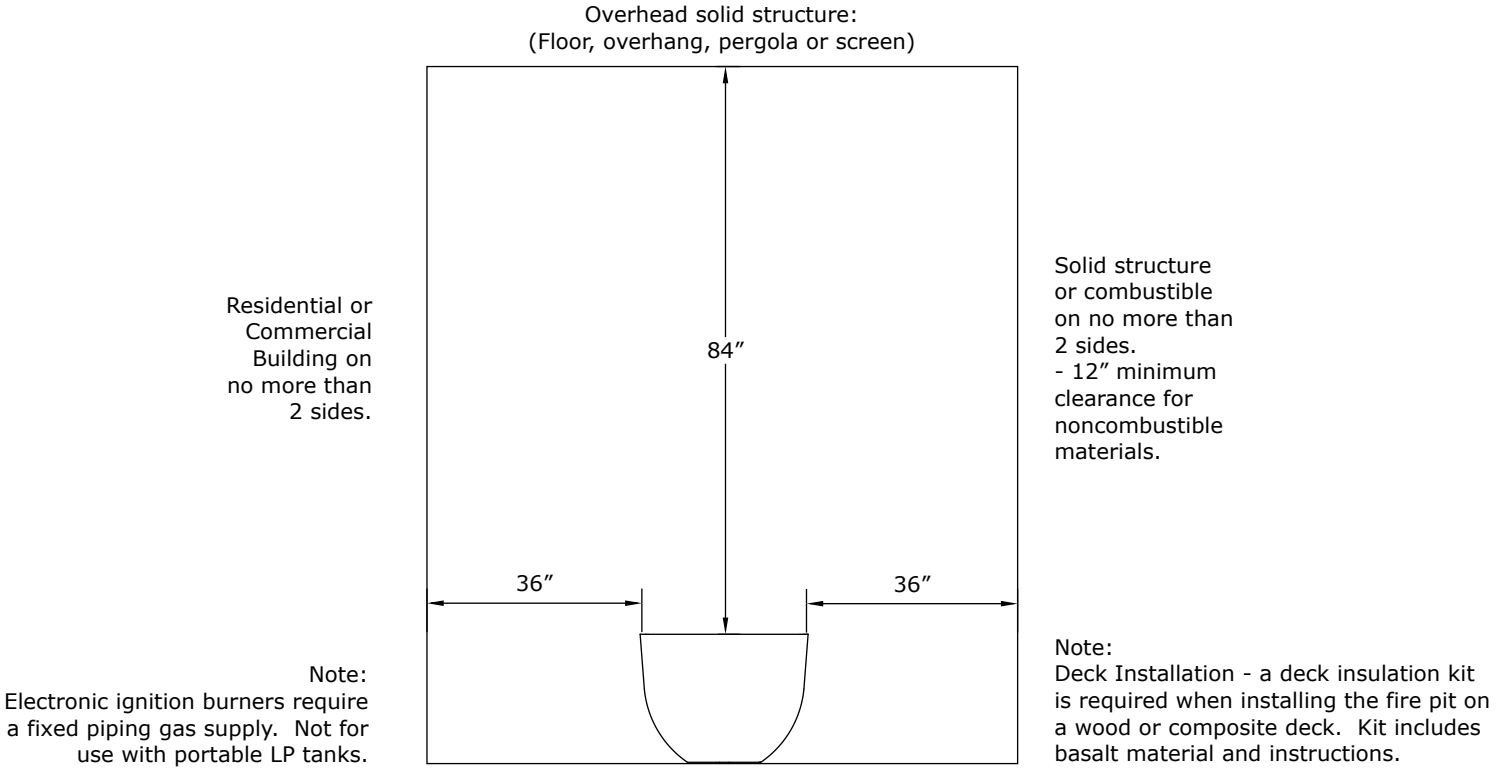
Burner Assembly

18" Match Lit Burner



3/8" x 144" gas hose assembly and regulator available separately with LP models

SECTION VIEW MATCH LIT

Clearances

Burner Assembly
Electrical:

120V Outdoor receptacle required. Must be installed and grounded in accordance with local codes.

18" Electronic Ignition
Burner

