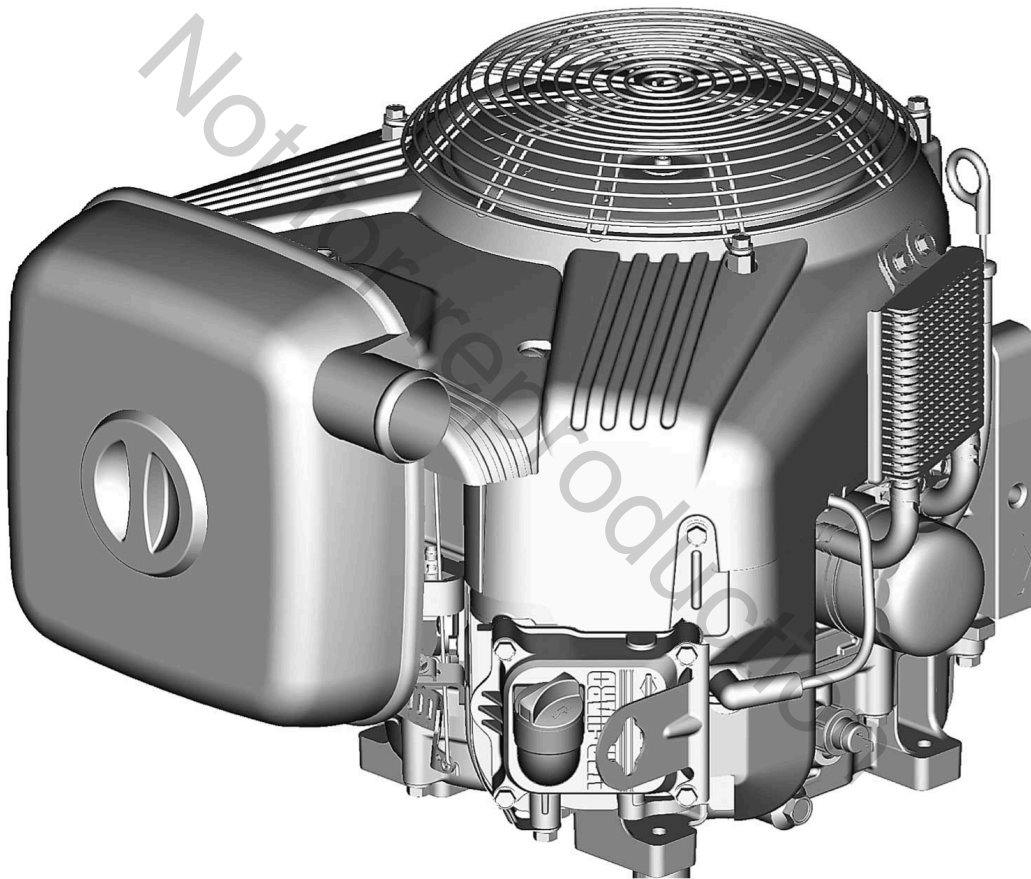


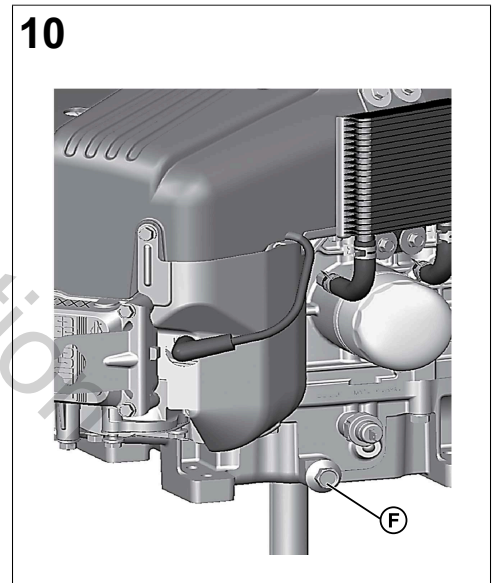
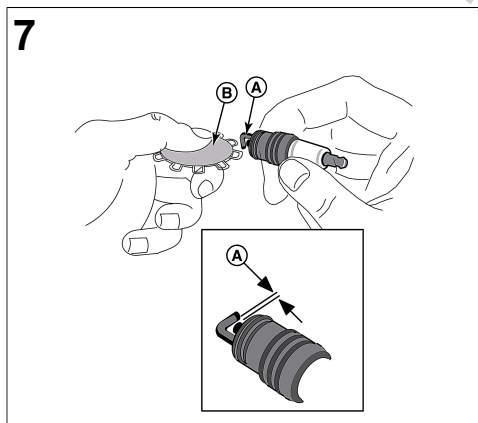
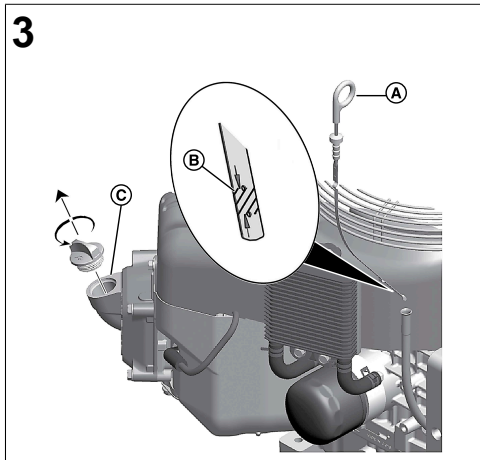
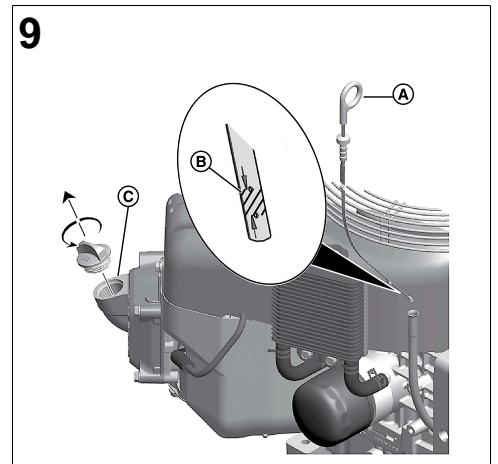
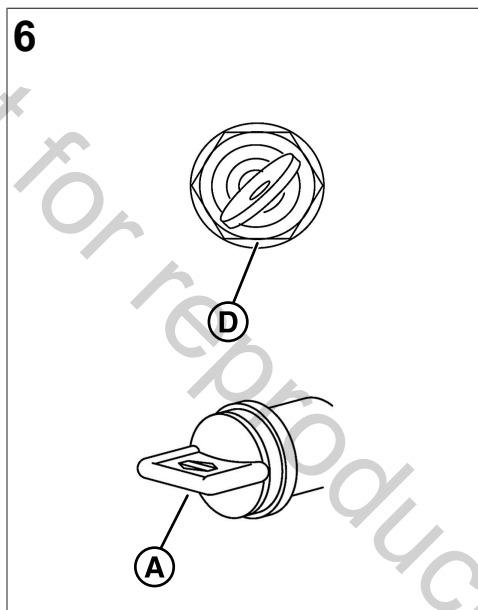
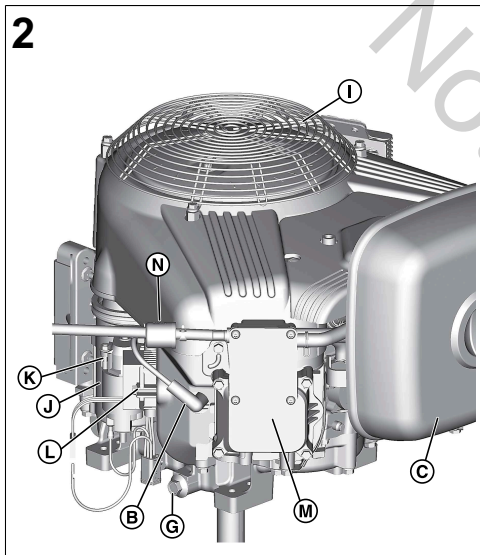
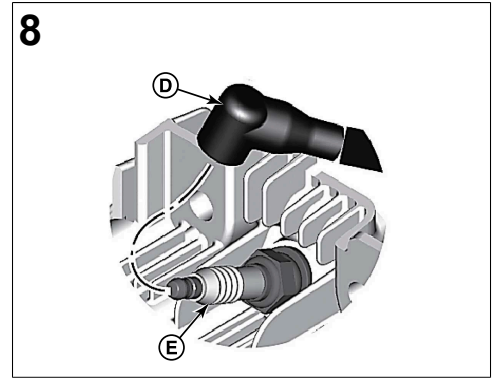
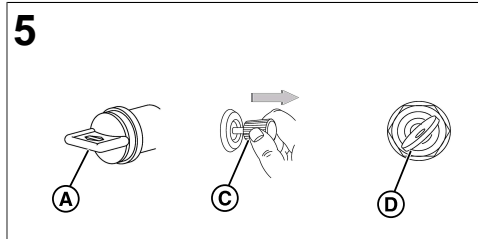
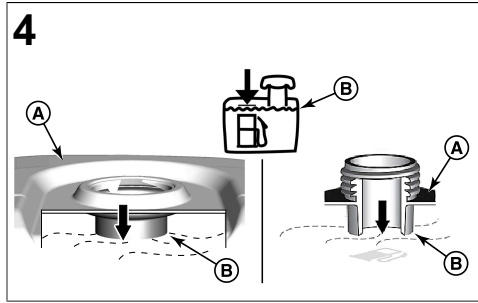
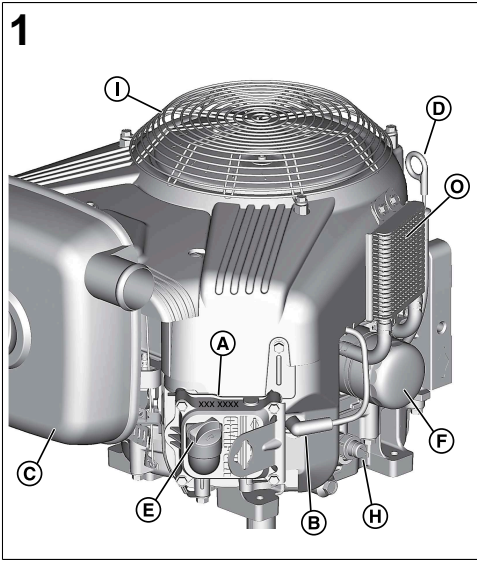
# VANGUARD®



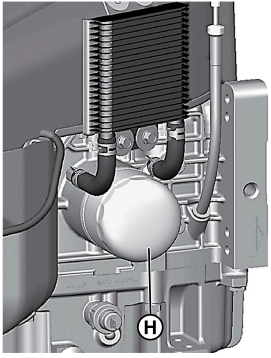
**613700, 61E900, 61G900**

- en Operator's Manual
- es Manual del operador
- fr Manuel d'utilisation

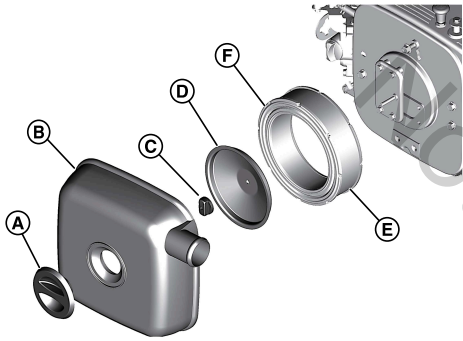




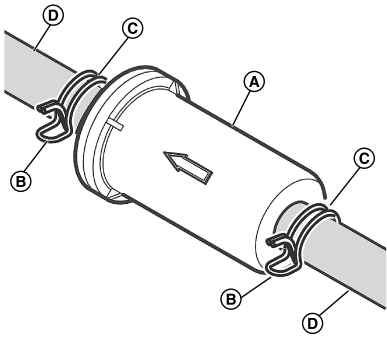
11



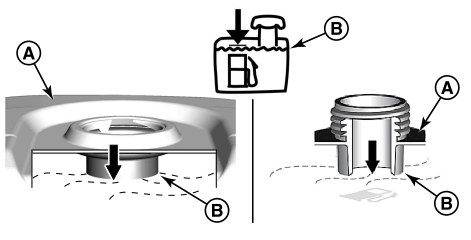
12



13



14



Not for reproduction

## General Information



This manual contains the safety information about the hazards and risks related to the engine and how to prevent them. It also contains the correct operation and maintenance of this engine. It is important that you read, understand, and obey these instructions. **Keep this manual for future reference.**

**NOTE:** The figures and illustrations in this manual are for information only and can be different from your model. Use the figures that align with your engine configuration. If it is necessary, speak to an Authorized Service Dealer.

Record the date of purchase, engine model, type, trim, and the engine serial number for replacement parts. These numbers are on your engine. Refer to the **Features and Controls** section.

Date of Purchase	
Engine Model - Type - Trim	
Engine Serial Number	

## European Office Contact Information

For questions related to European emissions, contact our European office at:

Max-Born-Straße 2, 68519 Viernheim, Germany.

## European Union (EU) Stage V (5): Carbon Dioxide (CO<sub>2</sub>) Values

Enter CO<sub>2</sub> in the search window on [BriggsandStratton.com](http://BriggsandStratton.com) to find carbon dioxide values of Briggs & Stratton EU Type-Approval Certificate engines.

## Recycling Information

		Recycle all cartons, boxes, used oil, and batteries as specified by government regulations.
--	--	---

## Operator Safety

### Safety Alert Symbol and Signal Words



The safety alert symbol identifies safety information about hazards that could result in personal injury. A signal word (**DANGER**, **WARNING**, or **CAUTION**) is used to indicate the likelihood and the potential severity of injury. In addition, a hazard symbol is used to represent the type of hazard.

**DANGER** indicates a hazard which, if not avoided, **will** result in death or serious injury.

**WARNING** indicates a hazard which, if not avoided, **could** result in death or serious injury.

**CAUTION** indicates a hazard which, if not avoided, **could** result in minor or moderate injury.

**NOTICE** indicates information considered important but not hazard-related.

## Hazard Symbols and Meanings

	Safety information about hazards that can result in personal injury.		Read and understand the Operator's Manual before operating or servicing the unit.
	Fire Hazard		Explosion Hazard
	Shock Hazard		Toxic Fume Hazard
	Hot Surface Hazard		Kickback Hazard

	Amputation Hazard - Moving Parts		Fuel Level - Maximum Do Not Overfill
--	----------------------------------	--	--------------------------------------

## Safety Messages



### WARNING

This product can expose you to chemicals including gasoline engine exhaust, which is known to the State of California to cause cancer, and carbon monoxide, which is known to the State of California to cause birth defects or other reproductive harm. For more information go to [www.P65Warnings.ca.gov](http://www.P65Warnings.ca.gov).



### WARNING

Briggs & Stratton® Engines are not designed for and are not to be used to power: fun-karts; go-karts; children's, recreational, or sport all-terrain vehicles (ATVs); motorbikes; hovercraft; aircraft products; or vehicles used in competitive events not sanctioned by Briggs & Stratton. For information about competitive racing products, see [www.briggsracing.com](http://www.briggsracing.com). For use with utility and side-by-side ATVs, please contact Briggs & Stratton Power Application Center, 1-866-927-3349. Incorrect engine use could result in serious injury or death.



### WARNING

Fuel and its vapors are flammable and explosive. Fire or explosion could result in burns or death.

#### When you add fuel

- Stop the engine. Before you remove the fuel cap, wait a minimum of two (2) minutes to make sure that the engine is cool.
- Fill the fuel tank outdoors or in an area that has good airflow.
- Do not put too much fuel in the tank. For expansion of the fuel, do not fill above the bottom of the fuel tank neck.
- Keep fuel away from sparks, open flames, pilot lights, heat, and other ignition sources.
- Frequently examine the fuel lines, fuel tank, fuel cap, and connections for cracks or leaks. Replace damaged parts.
- If fuel spills, wait until it dries before you start the engine.

#### When you start the engine

- Make sure that the spark plug, muffler, fuel cap and air cleaner (if equipped) are correctly installed.
- Do not crank the engine with the spark plug removed.
- If the engine is flooded, set the choke (if equipped) to the OPEN or RUN position. Move the throttle (if equipped) to the FAST position and crank until the engine starts.
- If there is natural or LP gas leakage in the area, do not start the engine.
- Because vapors are flammable, do not use pressurized starter fluids.

#### When you operate the equipment

- Do not tilt the engine or the equipment at an angle which causes fuel to spill.
- Do not choke the carburetor (if equipped) to stop the engine.
- Do not start or operate the engine with the air cleaner (if equipped) or the air filter (if equipped) removed.

#### When you do maintenance

- If you drain the oil from the top oil fill tube, the fuel tank must be empty. If it is not empty, fuel leakage can occur and could result a fire or an explosion.
- During maintenance if it is necessary to tilt the unit, make sure that the fuel tank, if mounted on the engine, is empty and that the spark plug side is up. If the fuel tank is not empty, leakage can occur and could result a fire or an explosion.
- Frequently examine the fuel lines, fuel tank, fuel cap, and connections for cracks or leaks. Replace damaged parts.
- Do not change the governor spring, links or other parts to increase engine speed.
- Do not hit the flywheel with a hammer or hard object. This could result in failure of the flywheel during operation.
- Replacement parts must be of the same design and installed in the same position as the original parts. Other parts could result in damage or an injury.

#### When you move the location of equipment

- Make sure that the fuel tank is EMPTY or that the fuel shut-off valve is in the CLOSED position.

**When fuel or equipment is in storage with fuel in the fuel tank**

- Because pilot lights or other ignition sources can cause explosions, keep fuel or equipment away from furnaces, stoves, water heaters or other appliances that have pilot lights.



**WARNING**  
Fuel and its vapors are flammable and explosive. Fire or explosion could result in burns or death.

**Engine start-up causes spark that could result in a fire or explosion.**

- If there is natural or LP gas leakage in the area, do not start the engine.
- Because vapors are flammable, do not use pressurized starter fluids.



**WARNING**  
**POISONOUS GAS HAZARD.** Engine exhaust contains carbon monoxide, a poisonous gas that could kill you in minutes. Although you do not smell exhaust fumes, you could still be exposed to dangerous carbon monoxide gas. If you feel sick, dizzy, or weak while you use this product, get to fresh air **RIGHT AWAY**. See a doctor. You may have carbon monoxide poisoning.

- Carbon monoxide gas can collect in occupied spaces. To reduce the risk of carbon monoxide gas, **ONLY** operate this product outdoors and far away from windows, doors and vents.
- Install battery-operated carbon monoxide alarms or plug-in carbon monoxide alarms with battery back-up as specified by the manufacturer's instructions. Smoke alarms cannot sense carbon monoxide gas.
- **DO NOT** operate this product in homes, garages, basements, crawlspaces, sheds, or other closed spaces, even if you use fans or open doors and windows for ventilation. After the operation of this product, carbon monoxide can quickly collect in these spaces and stay for hours.
- **ALWAYS** put this product downwind and point the engine exhaust away from occupied spaces.



**WARNING**  
Fast retraction of the starter cord (kickback) will pull your hand and arm to the engine faster than you can let go. Broken bones, fractures, bruises or sprains could result.

- To prevent kickback when you start the engine, pull the starter cord slowly until resistance is felt and then pull quickly.
- Before you start the engine, disconnect or remove all external equipment and engine loads.
- Make sure that direct-coupled equipment components, such as, but not limited to, blades, impellers, pulleys, and sprockets, are correctly attached.



**WARNING**  
Rotating parts can entangle hands, feet, hair, clothing, or accessories and result in traumatic amputation or laceration.

- Operate equipment with the guards correctly installed.
- Keep hands and feet away from rotating parts.
- Remove jewelry and make sure that long hair is away from all rotating parts.
- Do not wear loose clothes or items that could become caught.



**WARNING**  
During operation, the engine and muffler become hot. If you touch a hot engine, thermal burns can occur.

**Combustible materials, such as leaves, grass and brush, can catch fire.**

- Before you touch the engine or muffler, stop the engine and wait two (2) minutes. Make sure that the engine and muffler are safe to touch.
- Remove debris from the muffler and engine.

It is a violation of California Public Resource Code, Section 4442, to use or operate the engine on any forest-covered, brush-covered, or grass-covered land unless the exhaust system is equipped with a spark arrester, as defined in section 4442, maintained in effective working order. Other states or federal jurisdictions may have similar laws; reference Federal Regulation 36 CFR Part 261.52. Contact the original equipment manufacturer, retailer, or dealer to obtain a spark arrester designed for the exhaust system installed on this engine.



**WARNING**  
Accidental engine spark can cause an electric shock, fire or explosion and could result in entanglement, traumatic amputation or laceration.

**Before you make adjustments or repairs:**

- Disconnect all spark plug wires and keep them away from the spark plugs.
- Disconnect the battery wire from the negative battery terminal (only engines with electric start).
- Use only the correct tools.

**When you check for spark:**

- Use an approved spark plug tester.
- Do not check for spark with the spark plug removed.



**WARNING**  
Fuel vapors are flammable and explosive. Fire or explosion could result in burns or death.

**If you smell gas**

- Do not start the engine.
- Do not switch on electrical switches.
- Do not use a phone in the vicinity.
- Evacuate the area.
- Contact the gas supplier or the fire department.









## Features and Controls

### Engine Controls

Compare the callout letters in Figures 1 and 2 to the engine controls in the list that follows:

- A. Engine Identification Numbers **Model - Type - Code**
- B. Spark Plug
- C. Air Cleaner
- D. Dipstick
- E. Oil Fill
- F. Oil Filter
- G. Oil Drain Plug
- H. Oil Pressure Sensor
- I. Air Intake Grille
- J. Electric Starter
- K. Starter Solenoid
- L. Regulator / Rectifier
- M. Fuel Pump
- N. Fuel Filter (if installed)
- O. Oil Cooler (if installed)

### Engine Control Symbols and Meanings

 Engine Speed - FAST	 Engine Speed - SLOW
 Engine Speed - STOP	 ON - OFF
 Engine Start Choke CLOSED	 Engine Start Choke OPEN
 Fuel Cap Fuel Shut-off OPEN	 Fuel Shut-off CLOSED



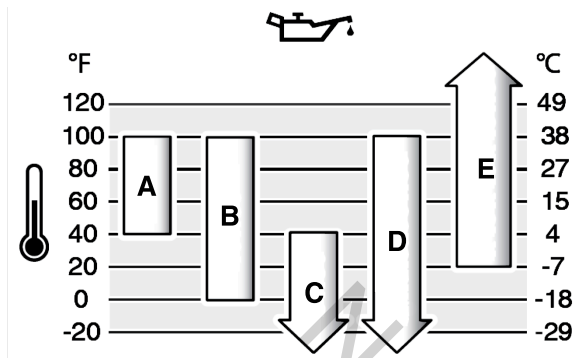
## Operation

### Oil Recommendations

**Oil Capacity:** Refer to the *Specifications* section.

We recommend the use of Briggs & Stratton® Warranty Certified oils for best performance. Other high-quality detergent oils are permitted if classified for service SF, SG, SH, SJ or higher. Do not use special additives.

Use the chart to select the best viscosity for the outdoor temperature range expected. Engines on most outdoor power equipment operate good with 5W-30 Synthetic oil. For equipment operated in hot temperatures, Vanguard® 15W-50 Synthetic oil gives the best protection.



<b>A</b>	<b>SAE 30</b> - Below 40 °F (4 °C) the use of SAE 30 will result in hard starting.
<b>B</b>	<b>10W-30</b> - Above 80 °F (27 °C) the use of 10W-30 may cause increased oil consumption. Check the oil level frequently.
<b>C</b>	<b>5W-30</b>
<b>D</b>	<b>Synthetic 5W-30</b>
<b>E</b>	<b>Vanguard® Synthetic 15W-50</b>

### Check the Oil Level

**Before you check or add oil**

- Make sure the engine is level.
- Clean the oil fill area of debris.
- Refer to the *Specifications* section for oil capacity.

#### NOTICE

This engine was shipped from Briggs & Stratton without oil. Equipment manufacturers or dealers could have added oil to the engine. Before you start the engine for the first time, make sure that the oil is at the correct level. Add oil as specified by the instructions in this manual. If you start the engine without oil, damage will occur and the engine will not be repaired under warranty.

1. Remove the dipstick (A, Figure 3) and clean with a cloth.
2. Install and tighten the dipstick (A, Figure 3).
3. Remove the dipstick and check the oil level. Make sure that the oil level is at the top of the full indicator (B, Figure 3) on the dipstick.
4. If the oil level is low, slowly add oil into the engine oil fill (C, Figure 3). Do not add too much oil.
5. Wait one minute and check the oil level again. Make sure that the oil level is correct.
6. Install and tighten the dipstick (A, Figure 3).

### Low Oil Protection System (if installed)

A low oil sensor is installed on some engines. If the oil is low, the sensor will show a warning light or stop the engine. Stop the engine and do the steps that follow before you start the engine.

- Make sure that the engine is level.
- Do an oil check. Refer to the *Check Oil Level* section.
- If the oil level is low, add the correct amount of oil. Start the engine and make sure that the warning light (if installed) does not come on.
- If the oil level is not low, do not start the engine. Contact a Briggs & Stratton Authorized Service Dealer to correct the oil problem.

### Fuel Recommendations

**Fuel must meet these requirements:**

- Clean, fresh, unleaded gasoline.
- A minimum of 87 octane/87 AKI (91 RON). High altitude use, see below.
- Gasoline with up to 10% ethanol (gasohol) is permitted.

#### NOTICE

Do not use unapproved gasoline, such as E15 and E85. Do not mix oil in gasoline or change the engine to operate on alternate fuels. Use of unapproved fuels could result in damage to engine components, which will not be repaired under the warranty.

To protect the fuel system from gum formation, and corrosion, mix an alcohol-free fuel stabilizer and ethanol treatment into the fuel. Refer to the *Storage* section. All fuel is not the same. If start or performance problems occur, change fuel providers or brands. This engine is certified to operate on gasoline. The emissions control system for carbureted engines is EM (Engine Modifications). The emissions control systems for engines with electronic fuel injection are ECM (Engine Control Module), MFI (Multiport Fuel Injection), TBI (Throttle Body Fuel Injection) and if equipped an O2S (Oxygen Sensor).

#### High Altitude

At altitudes over 5,000 feet (1524 meters), a minimum 85 octane/85 AKI (89 RON) gasoline is permitted.

For carbureted engines, high altitude adjustment is required to maintain performance. Operation without this adjustment will cause decreased performance, increased fuel consumption, and increased emissions. Contact a Briggs & Stratton Authorized Service Dealer for high altitude adjustment information. Operation of the engine at altitudes below 2,500 feet (762 meters) with the high altitude adjustment is not recommended.

For Electronic Fuel Injection (EFI) engines, no high altitude adjustment is necessary.

### Add Fuel



#### WARNING

**Fuel and its vapors are flammable and explosive. Fire or explosion could result in burns or death.**

**When you add fuel**

- Stop the engine. Before you remove the fuel cap, wait a minimum of two (2) minutes to make sure that the engine is cool.
  - Fill the fuel tank outdoors or in an area that has good airflow.
  - Do not put too much fuel in the tank. For expansion of the fuel, do not fill above the bottom of the fuel tank neck.
  - Keep fuel away from sparks, open flames, pilot lights, heat, and other ignition sources.
  - Frequently examine the fuel lines, fuel tank, fuel cap, and connections for cracks or leaks. Replace damaged parts.
  - If fuel spills, wait until it dries before you start the engine.
1. Clean the fuel cap area of dirt and debris. Remove the fuel cap.
  2. Fill the fuel tank (A, Figure 4) with fuel. Because fuel will expand, do not fill above the bottom of the fuel tank neck (B).
  3. Install the fuel cap.

### Start and Stop the Engine



#### WARNING

**Fast retraction of the starter cord (kickback) will pull your hand and arm to the engine faster than you can let go. Broken bones, fractures, bruises or sprains could result.**

- To prevent kickback when you start the engine, pull the starter cord slowly until resistance is felt and then pull quickly.
- Before you start the engine, disconnect or remove all external equipment and engine loads.
- Make sure that direct-coupled equipment components, such as, but not limited to, blades, impellers, pulleys, and sprockets, are correctly attached.



#### WARNING

**Fuel and its vapors are flammable and explosive. Fire or explosion could result in burns or death.**

**When you start the engine**

- Make sure that the spark plug, muffler, fuel cap and air cleaner (if equipped) are correctly installed.
- Do not crank the engine with the spark plug removed.
- If the engine is flooded, set the choke (if equipped) to the OPEN or RUN position. Move the throttle (if equipped) to the FAST position and crank until the engine starts.
- If there is natural or LP gas leakage in the area, do not start the engine.
- Because vapors are flammable, do not use pressurized starter fluids.



**WARNING** **POISONOUS GAS HAZARD.** Engine exhaust contains carbon monoxide, a poisonous gas that could kill you in minutes. Although you do not smell exhaust fumes, you could still be exposed to dangerous carbon monoxide gas. If you feel sick, dizzy, or weak while you use this product, get to fresh air **RIGHT AWAY**. See a doctor. You may have carbon monoxide poisoning.

- Carbon monoxide gas can collect in occupied spaces. To reduce the risk of carbon monoxide gas, **ONLY** operate this product outdoors and far away from windows, doors and vents.
- Install battery-operated carbon monoxide alarms or plug-in carbon monoxide alarms with battery back-up as specified by the manufacturer's instructions. Smoke alarms cannot sense carbon monoxide gas.
- **DO NOT** operate this product in homes, garages, basements, crawlspaces, sheds, or other closed spaces, even if you use fans or open doors and windows for ventilation. After the operation of this product, carbon monoxide can quickly collect in these spaces and stay for hours.
- **ALWAYS** put this product downwind and point the engine exhaust away from occupied spaces.

**NOTICE**

This engine was shipped from Briggs & Stratton without oil. Equipment manufacturers or dealers could have added oil to the engine. Before you start the engine for the first time, make sure that the oil is at the correct level. Add oil as specified by the instructions in this manual. If you start the engine without oil, damage will occur and the engine will not be repaired under warranty.

**Types of Start Systems**

Before you start the engine, you must know the type of start system on your engine. Your engine has one of these types.

- **Electronic Fuel Injection (EFI) System:** This system does not have a choke or a primer.
- **Choke System:** This type of system has a choke to use in cool temperatures. Some models have a choke control, but other models have a combination choke and throttle choke. It does not have a primer.

**NOTE:** Your equipment can have remote controls. Refer to the equipment manual for location and operation of remote controls.

**Electronic Fuel Injection (EFI) System**

1. Check the engine oil. Refer to the **Check Oil Level** section.
2. Make sure that the equipment drive controls, if installed, are disengaged.
3. Move the fuel shut-off (A, Figure 5), if installed, to the OPEN position.
4. Move the throttle control to the SLOW position.
5. Turn the electric start switch (D, Figure 5) to the ON or START position.

**NOTICE** To extend the life of the starter, use short start cycles (five seconds maximum). Wait one minute between start cycles.

If the engine does not start after 3 or 4 times, contact your local dealer or go to [vanguardpower.com](http://vanguardpower.com) or call 1-800-999-9333.

**Choke System**

1. Check the engine oil. Refer to the **Check the Oil Level** section.
2. Make sure that the equipment drive controls, if installed, are disengaged.
3. Move the fuel shut-off (A, Figure 5), if installed, to the OPEN position.
4. Move the throttle control (B, Figure 5), if installed, to the FAST position.
5. Move the choke control (C, Figure 5) to the CLOSED position.

**NOTE:** To start the engine with a dry fuel system, additional cranking time in the choke position will be required. This will give the fuel pump time to prime the fuel system.

6. Turn the key switch (D, Figure 5) to the ON or START position.
7. If the engine starts but will not continue to operate, move the choke control (C, Figure 5) to the OPEN position to start the engine.

**NOTICE** To extend the life of the starter, use short start cycles (five seconds maximum). Wait one minute between start cycles.

8. As the engine warms, move the choke control (C, Figure 5) to the OPEN position.

**NOTE:** If the engine will not start, contact your local dealer or go to [vanguardpower.com](http://vanguardpower.com) or call 1-800-999-9333 (in USA).

**Stop the Engine**



**WARNING** Fuel and its vapors are flammable and explosive. Fire or explosion could result in burns or death.

- Do not choke the carburetor (if equipped) to stop the engine.
1. Set the throttle control to the SLOW position. Then, turn the key switch (D, Figure 6) to the OFF position.
  2. Remove the key, and keep it in a safe location out of reach of children.
  3. After the engine stops, move the fuel shut-off (A, Figure 6), if installed, to the CLOSED position.

**Maintenance  
Maintenance Information**



**WARNING** Fuel and its vapors are flammable and explosive. Fire or explosion could result in burns or death.

During maintenance if it is necessary to tilt the unit, make sure that the fuel tank, if mounted on the engine, is empty and that the spark plug side is up. If the fuel tank is not empty, leakage can occur and could result in a fire or an explosion. If the engine is tilted in a different direction, it will not easily start because of oil or fuel contamination of the air filter or the spark plug.



**WARNING** Accidental engine spark can cause an electric shock, fire or explosion and could result in entanglement, traumatic amputation or laceration.

**Before you make adjustments or repairs:**

- Disconnect all spark plug wires and keep them away from the spark plugs.
- Disconnect the battery wire from the negative battery terminal (only engines with electric start).
- Use only the correct tools.

**When you check for spark:**

- Use an approved spark plug tester.
- Do not check for spark with the spark plug removed.



**WARNING** Replacement parts must be of the same design and installed in the same position as the original parts. Other parts could result in damage or an injury.

**NOTICE**

All the components used to build this engine must remain in place for correct operation. See a Briggs & Stratton Authorized Service Dealer for all maintenance and servicing of the engine and engine parts.

**Emissions Control Service**

For maintenance, replacement, or repair of emissions control devices and systems, contact a qualified off-road engine repair establishment or service technician. However, for "no charge" emissions control service, the work must be done by a factory authorized dealer. Refer to the Emissions Control Statements.

**Maintenance Schedule**

Intervals of 8 Hours or Daily
<ul style="list-style-type: none"> <li>• Check the engine oil level.</li> <li>• Clean the area around the muffler and controls.</li> </ul>
Intervals of 100 Hours or Annually
<ul style="list-style-type: none"> <li>• Replace the spark plugs.</li> <li>• Change the engine oil.</li> <li>• Replace the oil filter (if installed).</li> <li>• Service the air filter <sup>1</sup>.</li> <li>• Clean the pre-cleaner (if installed) <sup>1</sup>.</li> <li>• Service the exhaust system.</li> </ul>
Intervals of 250 Hours or Annually
<ul style="list-style-type: none"> <li>• Check the valve clearance. Adjust if necessary.</li> </ul>

#### Intervals of 400 Hours or Annually

- Replace the air filter.
- Replace the fuel filter.
- Service the air cooling system<sup>1</sup>.
- Clean the oil cooler fins<sup>1</sup>.

<sup>1</sup> Clean more frequently in dusty conditions or when many particles are in the air.

## Electronic Fuel Injection (EFI) System

The EFI System monitors engine temperature, engine speed, and battery voltage for engine start-up and warm-up. There are no adjustments on the system. If start-up or operation problems occur, contact a Briggs & Stratton Authorized Service Dealer.

**NOTICE** Make sure to obey the steps that follow or damage to the EFI system could occur.

- DO NOT start the engine if the battery cables are loose.
- Turn the key to the OFF position before you disconnect, remove, and / or install the battery.
- DO NOT use a battery charger to start the engine.
- DO NOT disconnect the battery cables during engine operation.
- When you disconnect the battery cables, first connect the positive (+) cable, and then connect the negative (-) cable to the battery.
- When you charge the battery, turn the ignition switch to the OFF position, and disconnect the negative (-) battery cable from the battery.
- DO NOT spray water directly on the Electronic Control Module.

## Carburetor and Engine Speed

Do not make adjustments to the carburetor, governor spring, linkages, or other parts to adjust the engine speed. If adjustments are necessary, contact a Briggs & Stratton Authorized Service Dealer for servicing.

#### NOTICE

The equipment manufacturer specifies the maximum speed for the engine as installed on the equipment. Do not exceed this speed. If you are not sure what the equipment maximum speed is, or what the engine speed is set to from the factory, contact a Briggs & Stratton Authorized Service Dealer for assistance. For safe and correct operation of the equipment, the engine speed should only be adjusted by a qualified service technician.

## Servicing the Spark Plug

Check the spark plug gap (A, Figure 7) with a wire gauge (B). If necessary, set the spark plug gap. Install and tighten the spark plug to the correct torque. For gap and torque specifications, refer to the **Specifications** section.

## Servicing the Exhaust System



**WARNING** During operation, the engine and muffler become hot. If you touch a hot engine, thermal burns can occur.

Combustible materials, such as leaves, grass and brush, can catch fire.

- Before you touch the engine or muffler, stop the engine and wait two (2) minutes. Make sure that the engine and muffler are safe to touch.
- Remove debris from the muffler and engine.

It is a violation of California Public Resource Code, Section 4442, to use or operate the engine on any forest-covered, brush-covered, or grass-covered land unless the exhaust system is equipped with a spark arrester, as defined in section 4442, maintained in effective working order. Other states or federal jurisdictions may have similar laws; reference Federal Regulation 36 CFR Part 261.52. Contact the original equipment manufacturer, retailer, or dealer to obtain a spark arrester designed for the exhaust system installed on this engine.

Remove debris from the muffler and cylinder area. Inspect the muffler for cracks, corrosion, or other damage. Remove the deflector or the spark arrester, if equipped, and inspect for damage or carbon blockage. If damage is found, install the replacement parts before you operate the equipment.

## Change Engine Oil



**WARNING** Fuel and its vapors are flammable and explosive. Fire or explosion could result in burns or death.

During operation, the engine and muffler become hot. If you touch a hot engine, thermal burns can occur.

- If you drain the oil from the top oil fill tube, the fuel tank must be empty. If it is not empty, fuel leakage can occur and cause a fire or an explosion.
- Before you touch the engine or muffler, stop the engine and wait two (2) minutes. Make sure that the engine and muffler are safe to touch.

Used oil is a hazardous waste product and must be discarded of correctly. Do not discard with household waste. Contact your local authorities, service center, or dealer for safe disposal or recycling facilities.

### Remove Oil

1. With engine OFF but warm, disconnect the spark plug wire(s) (D, Figure 8), and keep it away from the spark plug(s)(E).
2. Remove the dipstick (A, Figure 9).
3. Remove the oil drain plug (F, Figure 10). Drain the oil into an approved container.
4. Install and tighten the oil drain plug (F, Figure 10).

### Change the Oil Filter

1. Drain the oil from the engine. Refer to the **Remove Oil** section.
2. Remove the oil filter (H, Figure 11) and discard correctly.
3. Before you install the new oil filter, lightly lubricate the oil filter gasket with clean oil.
4. Install the oil filter by hand until the gasket touches the oil filter adapter, then tighten the oil filter 1/2 to 3/4 turns.
5. Add oil. Refer to the **Add Oil** section.
6. Start and operate the engine. When the engine is warm, do a check for oil leaks.
7. Stop the engine. Make sure that oil level is at the top of the full indicator on the dipstick. Refer to the **Add Oil** section.

### Add Oil

- Make sure the engine is level.
  - Clean the oil fill area of all debris.
  - Refer to the **Specifications** section for oil capacity.
1. Remove the dipstick (A, Figure 3). Remove oil from the dipstick with a clean cloth.
  2. Slowly add oil into the engine oil fill (C, Figure 3). **Do not put too much oil in the engine oil fill.** Wait one minute and then check the oil level.

**NOTE:** Do not add oil at the quick oil drain, if equipped.

3. Install and tighten the dipstick (A, Figure 3).
4. Remove the dipstick and check the oil level. The correct oil level is at the top of the full indicator (B, Figure 3) on the dipstick.
5. Install and tighten the dipstick (A, Figure 3).
6. Connect the spark plug wire(s) to the spark plug(s). See **Remove Oil** section.

## Servicing the Air Filter



**WARNING** Fuel vapors are flammable and explosive. Fire or explosion could result in burns or death.

- Do not start and operate the engine with the air cleaner assembly (if equipped) or the air filter (if equipped) removed.

#### NOTICE

Do not use pressurized air or solvents to clean the filter. Pressurized air could result in damage to the filter and solvents will dissolve the filter.

See the **Maintenance Schedule** for service requirements.

The air filter system uses a paper filter with an optional pre-cleaner. The pre-cleaner can be cleaned and used again. Some models can also have an optional pre-cleaner that can be cleaned and used again.

1. Remove the fastener(s) (A, Figure 12).
2. Remove the cover (B, Figure 12).
3. Remove the fastener(s) (C, Figure 12) and retainer (D).
4. Remove the air filter (F, Figure 12).
5. To loosen debris, lightly tap the air filter (F, Figure 12) on a hard surface. If the air filter is dirty, replace it with a new filter.



- Remove the pre-cleaner (E, Figure 12), from the air filter (F).
- Clean the pre-cleaner (E, Figure 12) in liquid detergent and water. Let the pre-cleaner fully air dry. **DO NOT** lubricate the pre-cleaner.
- Assemble the dry pre-cleaner (E, Figure 12) to the air filter (F).
- Install the air filter (E, Figure 12) and attach with the retainer (D) and fastener(s)(C).
- Install the cover (B, Figure 12) and attach with the fastener(s) (A). Make sure that the fastener(s) is tight.

## Servicing the Fuel System



**WARNING**  
Fuel and its vapors are flammable and explosive. Fire or explosion could result in burns or death.

- Keep fuel away from sparks, open flames, pilot lights, heat, and other ignition sources.
- Frequently examine the fuel lines, fuel tank, fuel cap, and connections for cracks or leaks. Replace damaged parts.
- If fuel spills, wait until it dries before you start the engine.

### Fuel Filter, if installed

- Before you replace the fuel filter (A, Figure 13), drain the fuel tank or close the fuel shut-off valve. If the fuel tank is not drained, fuel leakage can occur and cause a fire or explosion.
- Squeeze the tabs (B, Figure 13) on the clamps (C) with pliers. Move the clamps away from the fuel filter (A).
- Twist and pull the fuel lines (D, Figure 13) off of the fuel filter.
- Examine the fuel lines (D, Figure 13) for cracks or leaks. If it is necessary, replace the fuel lines.
- Replace the fuel filter (A, Figure 13).
- Attach the fuel lines (D, Figure 13) with clamps (C).

## Servicing the Cooling System



**WARNING**  
During operation, the engine and muffler become hot. If you touch a hot engine, thermal burns can occur.

**Combustible debris, such as leaves, grass, and brush can catch fire.**

- Before you touch the engine or muffler, stop the engine and wait two (2) minutes. Make sure that the engine and muffler are safe to touch.
- Remove debris from the muffler and engine.

### NOTICE

Do not use water to clean the engine. Water could cause contamination of the fuel system. Use a brush or dry cloth to clean the engine.

This is an air cooled engine. Dirt or debris can prevent air flow and cause the engine to become too hot and result in unsatisfactory performance and decreased engine life.

- Use a brush or dry cloth to remove debris from the air intake grille.
- Keep linkage, springs, and controls clean.
- Keep the area around and behind the muffler, if equipped, free of combustible debris.
- Make sure the oil cooler fins, if equipped, are clean.

After a period of time, the cylinder cooling fins can collect debris and cause the engine to overheat. This unwanted material cannot be removed without partial disassembly of the engine. Have a Briggs & Stratton Authorized Service Dealer inspect and clean the air cooling system as recommended in the **Maintenance Schedule**.

## Storage Fuel System

Refer to Figure: 14.



**WARNING**  
Fuel and its vapors are flammable and explosive. Fire or explosion could result in burns or death.

### Fuel Storage

- Because pilot lights or other ignition sources can cause explosions, keep fuel or equipment away from furnaces, stoves, water heaters or other appliances that have pilot lights.

Keep the engine level (normal operating position). Fill the fuel tank (A, Figure 14) with fuel. For fuel expansion, do not fill above the fuel tank neck (B).

Fuel can become stale when kept in a storage container for more than 30 days. The use of an alcohol-free fuel stabilizer and ethanol treatment in the fuel storage container is recommended to prevent fuel degradation and keep the fuel fresh.

When you fill the fuel container with fuel, add an alcohol-free fuel stabilizer as specified by the manufacturer's instructions. If gasoline in the engine has not been treated with a fuel stabilizer, it must be drained into an approved container. Operate the engine until it is out of fuel.

## Engine Oil

While the engine is still warm, change the engine oil. Refer to **Change the Engine Oil** section.

## Troubleshooting Assistance

For assistance, contact your local dealer or go to **BRIGGSandSTRATTON.COM** or call **1-800-444-7774** (in USA).

## Specifications

### Specifications and Service Parts

Models: 613700, 61E900, 61G900	
Displacement	60.60 ci (993 cc)
Bore	3.366 in (85,5 mm)
Stroke	3.406 in (86,5 mm)
Oil Capacity	78 - 80 oz (2,3 - 2,4 L)
Spark Plug Gap	.030 in (.76 mm)
Spark Plug Torque	180 lb-in (20 Nm)
Armature Air Gap	.005 - .008 in (.13 - .20 mm)
Intake Valve Clearance	.004 - .006 in (.10 - .15 mm)
Exhaust Valve Clearance	.007 - .009 in (.18 - .23 mm)

Service Parts - Models: 613700, 61E900, 61G900	
Service Part	Part Number
Paper Air Filter	692519
Pre-cleaner	692520
Oil - SAE 30	100028
Oil Filter	842921
Fuel Filter	695666
Resistor Spark Plug	491055S
Long Life Platinum Spark Plug	5066K
Spark Plug Wrench	19576S
Spark Tester	84003327

Engine power will decrease 3.5% for each 1,000 feet (300 meters) above sea level and 1% for each 10°F (5.6°C) above 77°F (25°C). The engine will operate satisfactorily at an angle up to 15°. Refer to the equipment Operator's Manual for safe permitted operating limits on slopes.

## Power Ratings

The gross power rating for individual gasoline engine models is labeled in accordance with SAE (Society of Automotive Engineers) code J1940 Small Engine Power & Torque Rating Procedure, and is rated in accordance with SAE J1995. Torque values are derived at 2600 RPM for those engines with "rpm" called out on the label and 3060 RPM for all others; horsepower values are derived at 3600 RPM. The gross power curves can be viewed at [www.BRIGGSandSTRATTON.COM](http://www.BRIGGSandSTRATTON.COM). Net power values are taken with exhaust and air cleaner installed whereas gross power values are collected without these attachments. Actual gross engine power will be higher than net engine power and is affected by, among other things, ambient operating conditions and engine-to-engine variability. Given the wide array of products on which engines are placed, the gasoline engine may not develop the rated gross power when used in a given piece of power equipment. This difference is due to a variety of factors including, but not limited to, the variety of engine components (air cleaner, exhaust, charging, cooling, carburetor, fuel pump, etc.), application limitations, ambient operating conditions (temperature, humidity, altitude), and engine-to-engine variability. Due to manufacturing and capacity limitations, Briggs & Stratton may substitute an engine of higher rated power for this engine.

## Warranty

### Briggs & Stratton® Engine Warranty

Effective August 2022

### Limited Warranty

Briggs & Stratton warrants that, during the warranty period specified below, it will repair or replace, free of charge, with a new, reconditioned or re-manufactured part, at the sole discretion of Briggs & Stratton, any part that is defective in material or workmanship or both. Transportation charges on product submitted for repair or replacement under this warranty must be borne by purchaser. This warranty is effective for and is subject to the time periods and conditions stated below. For warranty service, find the nearest Authorized Service Dealer in our dealer locator map at BRIGGSandSTRATTON.COM. The purchaser must contact the Authorized Service Dealer, and then make the product available to the Authorized Service Dealer for inspection and testing.

**There is no other express warranty. Implied warranties, including those of merchantability and fitness for a particular purpose, are limited to one year from purchase, or to the extent permitted by law. All other implied warranties are excluded. Liability for incidental or consequential damages are excluded to the extent exclusion is permitted by law.** Some states or countries do not allow limitations on how long an implied warranty lasts, and some states or countries do not allow the exclusion or limitation of incidental or consequential damages, so the above limitation and exclusion may not apply to you. This warranty gives you specific legal rights and you may also have other rights which vary from state to state and country to country.

Standard Warranty Terms <sup>1, 2</sup>
<b>Vanguard®; Commercial Series</b>
Consumer Use - 36 months
Commercial Use - 36 months
<b>XR Series</b>
Consumer Use - 24 months
Commercial Use - 24 months
<b>All Other Engines Featuring Dura-Bore™ Cast Iron Sleeve</b>
Consumer Use - 24 months
Commercial Use - 12 months
<b>All Other Engines</b>
Consumer Use - 24 months
Commercial Use - 3 months

<sup>1</sup>These are our standard warranty terms, but occasionally there may be additional warranty coverage that was not determined at time of publication. For a listing of current warranty terms for your engine, go to BRIGGSandSTRATTON.COM or contact your Briggs & Stratton Authorized Service Dealer.

<sup>2</sup>There is no warranty for engines on equipment used for prime power in place of a utility; standby generators used for commercial purposes, utility vehicles exceeding 25 MPH, or engines used in competitive racing or on commercial or rental tracks.

\* In Australia - Our goods come with guarantees that cannot be excluded under the Australian Consumer Law. You are entitled to a replacement or refund for a major failure and for compensation for any other reasonably foreseeable loss or damage. You are also entitled to have the goods repaired or replaced if the goods fail to be of acceptable quality and the failure does not amount to a major failure. For warranty service, find the nearest Authorized Service Dealer in our dealer locator map at BRIGGSandSTRATTON.COM, or by calling 1300 274 447, or by emailing or writing to salesenquiries@briggsandstratton.com.au, Briggs & Stratton Australia Pty Ltd, 1 Moorebank Avenue, Moorebank, NSW, Australia, 2170.

The warranty period begins on the date of purchase by the first retail consumer or commercial end user, and continues for the period of time stated in the table above. "Consumer use" means personal residential household use by a retail consumer. "Commercial use" means all other uses, including use for commercial, income producing or rental purposes. Once an engine has experienced commercial use, it shall thereafter be considered as a commercial use engine for purposes of this warranty.

**No warranty registration is necessary to obtain warranty on Briggs & Stratton products. Save your proof of purchase receipt. If you do not provide proof of the initial purchase date at the time warranty service is requested, the manufacturing date of the product will be used to determine the warranty period.**

### About Your Warranty

This limited warranty covers engine-related material and/or workmanship issues only, and not replacement or refund of the equipment to which the engine may be mounted. Routine maintenance, tune-ups, adjustments, or normal wear and tear are not covered under this warranty. Similarly, warranty is not applicable if the engine has been altered or modified or if the engine serial number has been defaced or removed. This warranty does not cover engine damage or performance problems caused by:

1. The use of parts that are not original Briggs & Stratton parts;
2. Operating the engine with insufficient, contaminated, or an incorrect grade of lubricating oil;

3. The use of contaminated or stale fuel, gasoline formulated with ethanol greater than 10%, or the use of alternative fuels such as liquefied petroleum or natural gas on engines not originally designed/manufactured by Briggs & Stratton to operate on such fuels;
4. Dirt which entered the engine because of improper air cleaner maintenance or reassembly;
5. Striking an object with the cutter blade of a rotary lawn mower, loose or improperly installed blade adapters, impellers, or other crankshaft coupled devices, or excessive v-belt tightness;
6. Associated parts or assemblies such as clutches, transmissions, equipment controls, etc., which are not supplied by Briggs & Stratton;
7. Overheating due to grass clippings, dirt and debris, or rodent nests which plug or clog the cooling fins or flywheel area, or by operating the engine without sufficient ventilation;
8. Excessive vibration due to over-speeding, loose engine mounting, loose or unbalanced cutter blades or impellers, or improper coupling of equipment components to the crankshaft;
9. Misuse, lack of routine maintenance, shipping, handling, or warehousing of equipment, or improper engine installation.

Warranty service is available only through Briggs & Stratton Authorized Service Dealers. Locate your nearest Authorized Service Dealer in our dealer locator map at BRIGGSandSTRATTON.COM or by calling 1-800-444-7774 (in USA).

80114782 (Revision A)

## Briggs & Stratton Emissions Warranty

### U.S. EPA and Briggs & Stratton, LLC Emissions Control Warranty Statement - Your Warranty Rights and Obligations For Briggs & Stratton Marine Engine Models with "J" Trim Designation (Model-Type-Trim Representation xxxxxx xxxx Jx)

The U.S. EPA, and Briggs & Stratton (B&S) are pleased to explain the exhaust emissions control system warranty on your Model Year 2022-2024 engine. In the U.S, new small off-road engines and large spark ignited engines less than or equal to 1.0 liter must be designed, built, and equipped to meet stringent anti-smog standards. B&S must warrant the emissions control system on your engine for the periods of time listed below provided there has been no abuse, neglect, or improper maintenance of your engine leading to the failure of the emissions control system.

Your emissions control system may include parts such as the carburetor or fuel-injection system, the ignition system, catalytic converter, fuel tanks, fuel lines (for liquid fuel and fuel vapors), fuel caps, valves, canisters, filters, clamps and other associated components. Also included may be hoses, belts, connectors, and other emission-related assemblies.

Where a warrantable condition exists, B&S will repair your engine at no cost to you including diagnosis, parts, and labor.

### Manufacturer's Warranty Coverage:

The exhaust emissions control system on your marine engine is warranted for five (5) years or 175 hours, whichever occurs first. If any emissions-related parts on your engine is defective, the part will be repaired or replaced by B&S.

The exhaust and evaporative

### Owner's Warranty Responsibilities:

- As the engine owner, you are responsible for the performance of the required maintenance listed in your Operator's Manual. B&S recommends that you retain all receipts covering maintenance on your engine, but B&S cannot deny warranty coverage solely for the lack of receipts or your failure to ensure the performance of all scheduled maintenance.
- As the engine owner, you should however be aware that B&S may deny you warranty coverage if your engine or a part has failed due to abuse, neglect, improper maintenance, or unapproved modifications.
- You are responsible for presenting your engine to a B&S distribution center, or service center, as soon as a problem exists. The warranty repairs should be completed in a reasonable amount of time, not to exceed 30 days. If you have a question regarding your warranty rights and responsibilities, you should contact B&S at 1-800-444-7774 (in USA) or BRIGGSandSTRATTON.com.

### Briggs & Stratton Emissions Control Warranty Provisions

The following are specific provisions relative to your Emissions Control Warranty Coverage. It is in addition to the B&S engine warranty for non-regulated engines found in the Operator's Manual.

1. Warranted Emissions Parts  
Coverage under this warranty extends only to the parts listed below (the emissions control systems parts) to the extent these parts were present on the B&S engine.
  - a. Fuel Metering System
    - Cold start enrichment system (soft choke)
    - Carburetor or fuel injection system

- Oxygen sensor
  - Electronic control unit
  - Fuel pump module
- b. Air Induction System
- Air cleaner
  - Intake manifold
- c. Ignition System
- Spark plug(s)
  - Magneto ignition system
- d. Catalyst System
- Catalytic converter
  - Exhaust manifold
  - Air injection system or pulse value
- e. Miscellaneous Items Used in Above Systems
- Vacuum, temperature, position, time sensitive valves and switches
  - Connectors and assemblies
  - Electronic controls

2. Length of Coverage

Coverage is for a period of five (5) years from the date of delivery to an ultimate purchaser, or 175 hours, whichever occurs first. B&S warrants to the original purchaser and each subsequent purchaser that the engine is designed, built, and equipped so as to conform with all applicable regulations under Section 213 of the Clean Air Act that is free from defects in material and workmanship that could cause the failure of a warranted part; and that is identical in all material respects to the engine described in the manufacturer's application for certification. The warranty period begins on the date the engine or equipment is delivered to an ultimate purchaser.

The warranty on emissions-related parts is as follows:

- Any warranted part that is not scheduled for replacement as required maintenance in the Operator's Manual supplied, is warranted for the warranty period stated above. If any such part fails during the period of warranty coverage, the part will be repaired or replaced by B&S at no charge to the owner. Any such part repaired or replaced under the warranty will be warranted for the remaining warranty period.
- Any warranted part that is scheduled only for regular inspection in the Operator's Manual supplied, is warranted for the warranty period stated above. Any such part repaired or replaced under warranty will be warranted for the remaining warranty period.
- Any warranted part that is scheduled for replacement as required maintenance in the Operator's Manual supplied, is warranted for the period of time prior to the first scheduled replacement point for that part. If the part fails prior to the first scheduled replacement, the part will be repaired or replaced by B&S at no charge to the owner. Any such part repaired or replaced under warranty will be warranted for the remainder of the period prior to the first scheduled replacement point for the part.
- Add-on or modified parts that are not exempted by the U.S. EPA may not be used. The use of any non-exempted add-on or modified parts by the owner will be grounds for disallowing a warranty claim. The manufacturer will not be liable to warrant failures of warranted parts caused by the use of a non-exempted add-on or modified part.

3. Consequential Coverage

Coverage shall extend to the failure of any engine components caused by the failure of any warranted emissions parts.

4. Claims and Coverage Exclusions

Warranty claims shall be filed according to the provisions of the B&S engine warranty policy. Warranty coverage does not apply to failures of emissions parts that are not original equipment B&S parts or to parts that fail due to abuse, neglect, or improper maintenance as set forth in the B&S engine warranty policy. B&S is not liable for warranty coverage of failures of emissions parts caused by the use of add-on or modified parts.

80111506 (Revision A)

## Información general



Este manual contiene información de seguridad sobre los peligros y riesgos relacionados con el motor y cómo prevenirlos. También contiene el correcto funcionamiento y mantenimiento de este motor. Es importante que lea, comprenda y obedezca estas instrucciones. **Conserve este manual para referencia futura.**

**NOTA:** Las figuras e ilustraciones en este manual sirven solo para información y pueden ser diferentes a su modelo. Utilice las cifras que se alinean con la configuración de su motor. Si es necesario, hable con un distribuidor de servicio autorizado.

Registre la fecha de compra, el modelo del motor, el tipo, la versión y el número de serie del motor para las piezas de repuesto. Estos números están en su motor. Consulte la sección **Características y controles**.

Fecha de compra	
Modelo del motor - Tipo - Reglaje	
Número de Serie del motor	

## Información de contacto de la oficina en Europa

Si tiene preguntas relacionadas con las emisiones europeas, póngase en contacto con nuestra oficina en Europa en:

Max-Born-Straße 2, 68519 Viernheim, Alemania.

## Etapa V (5) de la Unión Europea (UE): Valores del dióxido de carbono (CO2)

Ingrese CO2 en la ventana de búsqueda en [BriggsandStratton.com](http://BriggsandStratton.com) para encontrar los valores de dióxido de carbono de los motores de Briggs & Stratton con certificado de aprobación tipo UE.

## Información de reciclaje

		Recicle todos los cartones, cajas, aceite usado y baterías según lo especifiquen las regulaciones gubernamentales.
--	--	--

## Seguridad del operador

### Símbolo de alerta de seguridad y palabras de señalización



El símbolo de alerta de seguridad identifica información de seguridad sobre peligros que podrían provocar lesiones personales. Se usa una palabra de señalización (**PELIGRO**, **ADVERTENCIA**, o **PRECAUCIÓN**) para indicar la probabilidad y la gravedad potencial de las lesiones. Además, se usa un símbolo de peligro para representar el tipo de riesgo.

**PELIGRO** indica un riesgo que, si no se evita, **ocasionará** la muerte o lesiones graves.

**ADVERTENCIA** indica un riesgo que, si no se evita, **podría** ocasionar la muerte o lesiones graves.

**PRECAUCIÓN** indica un riesgo que, si no se evita, **podría** ocasionar lesiones menores o moderadas.

**AVISO** indica información que se considera importante pero que no está relacionada con un peligro.

## Símbolos de peligro y significados

	Información de seguridad sobre peligros que pueden conllevar a lesiones personales.		Lea y entienda el Manual del operador antes de operar y realizar mantenimientos a la unidad.
	Peligro de incendio		Peligro de explosión

	Peligro de descarga eléctrica		Peligro de vapores tóxicos
	Peligro de superficie caliente		Peligro de retroceso violento
	Peligro de amputación: piezas móviles		Nivel de combustible - Máximo No lo llene en exceso

## Mensajes de seguridad



### ADVERTENCIA

Este producto puede exponerlo a sustancias químicas, entre las que se incluyen emisiones de escape de motor de gasolina, reconocidas por el estado de California como causantes de cáncer, y monóxido de carbono, reconocido por el estado de California como causante de defectos de nacimiento u otros problemas reproductivos. Para obtener más información, visite [www.P65Warnings.ca.gov](http://www.P65Warnings.ca.gov).



### ADVERTENCIA

Los motores Briggs & Stratton® no están diseñados, y no deben utilizarse, para potenciar carritos motorizados; go karts; vehículos para niños; vehículos recreativos; vehículos deportivos todo terreno (ATV); motocicletas; aerodeslizadores; equipo aeronáutico; o vehículos utilizados en eventos de competencia que no estén avalados por Briggs & Stratton. Para obtener información acerca de productos de carrera profesionales, consulte [www.briggsracing.com](http://www.briggsracing.com). Para usar el motor en ATV utilitarios y side by side, comuníquese con el Centro de aplicaciones de potencia de Briggs & Stratton llamando al 1-866-927-3349. El uso incorrecto del motor podría provocar lesiones graves o la muerte.



### ADVERTENCIA

**El combustible y sus vapores son inflamables y explosivos. El fuego o una explosión podrían provocar quemaduras o la muerte.**

### Cuando agregue combustible

- Detenga el motor. Antes de quitar la tapa del combustible, espere un mínimo de dos (2) minutos para asegurarse de que el motor esté frío.
- Llene el tanque de combustible al aire libre o en un área con buena circulación de aire.
- No ponga demasiado combustible en el tanque. Para permitir la expansión del combustible, no llene el tanque de combustible arriba de la parte inferior del cuello.
- Mantenga el combustible alejado de chispas, llamas abiertas, llamas piloto, calor y otras fuentes de ignición.
- Examine frecuentemente las líneas de combustible, el tanque de combustible, la tapa del combustible y las conexiones en busca de grietas o fugas. Reemplace las piezas dañadas.
- Si el combustible se derrama, espere a que se seque antes de arrancar el motor.

### Cuando arranque el motor

- Asegúrese de que la bujía, el silenciador, la tapa del combustible y el limpiador de aire (si tiene) estén correctamente instalados.
- No arranque el motor si retiró la bujía.
- Si el motor está inundado, lleve el estrangulador (si tiene) a la posición ABIERTO o MARCHA. Mueva el acelerador (si tiene) a la posición RÁPIDO y de arranque hasta que el motor se encienda.
- Si hay alguna filtración de gas natural o gas LP en el área, no arranque el motor.
- Puesto que los vapores son inflamables, no utilice fluidos de encendido presurizados.

### Cuando opere el equipo

- No incline el motor o el equipo en un ángulo que cause derramamiento del combustible.
- No cebe el carburador (si tiene) para detener el motor.
- Nunca arranque u opere el motor sin el limpiador de aire (si tiene) o el filtro de aire (si tiene).

### Cuando lleve a cabo mantenimiento

- Si drena el aceite desde el tubo de llenado de aceite superior, el tanque de combustible debe estar vacío. Si no está vacío, puede producirse un derrame de combustible y podría ocasionarse un incendio o una explosión.
- Durante el mantenimiento, si es necesario inclinar la unidad, asegúrese de que el tanque de combustible, si está montado en el motor, esté vacío y que el extremo del motor donde está la bujía esté elevado. Si el tanque de combustible no está vacío, puede producirse un derrame de combustible y podría ocasionarse un incendio o una explosión.
- Examine frecuentemente las líneas de combustible, el tanque de combustible, la tapa del combustible y las conexiones en busca de grietas o fugas. Reemplace las piezas dañadas.
- No cambie el resorte del regulador, las conexiones u otras piezas para aumentar la velocidad del motor.
- No golpee el volante con un martillo o un objeto duro. Esto podría provocar una falla en el volante durante la operación.
- Las piezas de repuesto deben ser del mismo diseño y deben ser instaladas en la misma posición que las piezas originales. Otras piezas podrían provocar daños o lesiones.

### Cuando traslada la ubicación del equipo

- Asegúrese de que el tanque de combustible esté VACÍO o que la válvula de cierre de combustible esté en la posición CERRADA.

### Cuando el combustible o el equipo está almacenado con combustible en el tanque de combustible

- Puesto que las luces piloto u otras fuentes de ignición pueden causar explosiones, mantenga el combustible o el equipo lejos de hornos, estufas, calentadores de agua u otros aparatos que tengan luces piloto.



#### ADVERTENCIA

El combustible y sus vapores son inflamables y explosivos. El fuego o una explosión podrían provocar quemaduras o la muerte.

El arranque del motor causa una chispa que podría provocar un incendio o una explosión.

- Si hay alguna filtración de gas natural o gas LP en el área, no arranque el motor.
- Puesto que los vapores son inflamables, no utilice fluidos de encendido presurizados.



#### ADVERTENCIA

**PELIGRO DE GAS NOCIVO.** Las emisiones del motor contienen monóxido de carbono, un gas nocivo que podría causar la muerte en minutos. Aunque no huele los gases del escape, puede estar expuesto al peligroso gas de monóxido de carbono. Si usted se siente enfermo, adormecido, o débil al utilizar este producto, diríjase hacia un lugar con aire fresco DE INMEDIATO. Consulte a un médico. Es probable que se haya intoxicado con monóxido de carbono.

- El gas de monóxido de carbono puede acumularse en los espacios habitados. Para reducir el riesgo del gas de monóxido de carbono, SOLAMENTE opere este producto al aire libre, lejos de ventanas, puertas y ventilaciones.
- Instale alarmas de monóxido de carbono operadas por baterías o alarmas de monóxido de carbono para enchufar con batería de respaldo según lo que especifiquen las instrucciones del fabricante. Los detectores de humo no detectan el gas de monóxido de carbono.
- NO opere este producto en viviendas, garajes, sótanos, espacios reducidos, cobertizos u otros espacios cerrados, incluso si usa ventiladores o deja las puertas y ventanas abiertas a manera de ventilación. Después de la operación de este producto, el monóxido de carbono puede acumularse rápidamente en estos espacios y permanecer durante horas.
- SIEMPRE ubique este producto a favor del viento y mantenga el escape del motor alejado de los espacios confinados.



#### ADVERTENCIA

La retracción rápida del cordón del arrancador (retroceso) tirará de su mano y brazo hacia el motor más rápido de lo que puede sostenerlo. Podrían presentarse roturas en los huesos, fracturas, contusiones, o torceduras.

- Para evitar el retroceso al arrancar el motor, hale del cordón del arrancador lentamente hasta sentir resistencia y luego suéltelo rápidamente.
- Antes de arrancar el motor, desconecte o retire cualquier carga externa del motor/equipo.
- Asegúrese de que los componentes del equipo acoplados directamente, entre otros, cuchillas, propulsores, poleas y ruedas dentadas estén firmemente acoplados.



#### ADVERTENCIA

Las partes giratorias pueden atrapar las manos, los pies, el cabello, la ropa o los accesorios y provocar una amputación o laceración traumática.

- Opere el equipo con protectores correctamente instalados.
- Mantenga sus manos y pies alejados de las piezas giratorias.
- Quítese las joyas y asegúrese de que el pelo largo esté apartado de todas las piezas giratorias.
- No use ropa suelta o artículos que puedan quedar atrapados.



#### ADVERTENCIA

Durante la operación, el motor y el silenciador se calientan. Si toca un motor caliente, pueden producirse quemaduras térmicas.

Los materiales combustibles, como hojas, césped y hierbas se pueden inflamar.

- Antes de tocar el motor o el silenciador, detenga el motor y espere dos (2) minutos. Asegúrese de que el motor y el silenciador se puedan tocar con seguridad.
- Quite los residuos del silenciador y del motor.

Es una infracción del Código de Recursos Públicos de California (California Public Resource Code), Sección 4442, utilizar u operar el motor en cualquier terreno forestal o cubierto por árboles o césped, a menos que el sistema de escape esté equipado con un supresor de chispas, en virtud de la Sección 4442, el cual se debe mantener en buenas condiciones de operación. Es posible que otros estados o jurisdicciones federales cuenten con leyes similares; consulte la Regulación Federal 36 CFR Sección 261.52. Póngase en contacto con el vendedor, el distribuidor o el fabricante del equipo original para obtener un extintor de chispas diseñado para el sistema de escape instalado en este motor.



#### ADVERTENCIA

La chispa accidental del motor puede provocar una descarga eléctrica, un incendio o una explosión y podría resultar en un enredo, una amputación traumática o una laceración.

Antes de que realice ajustes o reparaciones:

- Desconecte todos los cables de las bujías y manténgalos alejados de las bujías.
- Desconecte el cable de la batería del terminal negativo de la batería (solo motores con arranque eléctrico).
- Use solamente las herramientas correctas.

Cuando verifique si hay chispa:

- Use un probador de bujías aprobado.
- No revise si hay chispa con la bujía extraída.



#### ADVERTENCIA

Los vapores del combustible son inflamables y explosivos. El fuego o una explosión podrían provocar quemaduras o la muerte.

Si siente olor a gas

- No arranque el motor.
- No encienda interruptores eléctricos.
- No use un teléfono en las cercanías.
- Desaloje el área.
- Comuníquese con el proveedor de gas o con los bomberos.

## Características y controles

### Controles del motor









Compare las letras de las leyendas en las Figuras 1 y 2 con los controles del motor en la lista a continuación:

- A. Números de identificación del motor **Modelo - Tipo - Código**
- B. Bujía
- C. Filtro de aire
- D. Tapones de la varilla
- E. Llenado de aceite
- F. Filtro de aceite
- G. Tapón de drenaje de aceite
- H. Sensor de presión de aceite
- I. Rejilla de toma de aire
- J. Arrancador eléctrico



- K. Solenoide del arrancador
- L. Regulador/Rectificador
- M. Bomba de combustible
- N. Filtro de combustible (si está instalado)
- O. Refrigerador de aceite (si está instalado)

## Símbolos de control del motor y significados

 Velocidad del motor - RÁPIDA	 Velocidad del motor - LENTA
 Velocidad del motor - DETENER	 ENCENDIDO/APAGADO
 Arranque del motor Estrangulador CERRADO	 Arranque del motor Estrangulador ABIERTO
 Tapa del combustible Válvula de cierre de combustible - ABIERTO	 Válvula de cierre de combustible - CERRADO

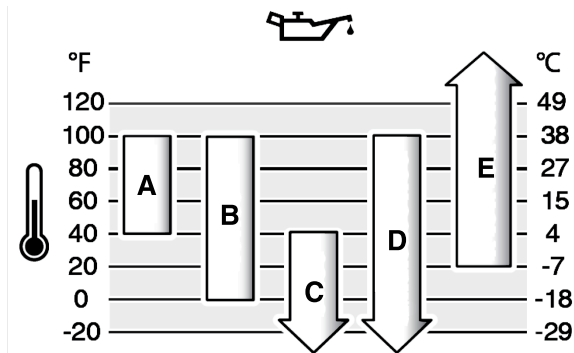
## Operación

### Recomendaciones sobre el aceite

**Capacidad de aceite:** Consulte la sección **Especificaciones**.

Recomendamos el uso de aceites Briggs & Stratton® con garantía certificada para un mejor rendimiento. Se permiten otros aceites detergentes de alta calidad, si están clasificados para servicio SF, SG, SH, SJ o superior. No use aditivos especiales.

Use el cuadro para seleccionar la mejor viscosidad para el margen de temperatura exterior que se espera. Los motores de la mayoría de los equipos eléctricos para exteriores funcionan bien con aceite sintético 5W-30. Para equipos que operan a altas temperaturas, el aceite sintético Vanguard® 15W-50 brinda la mejor protección.



<b>A</b>	<b>SAE 30</b> - El uso de SAE 30 a temperaturas inferiores a 40 °F (4 °C) provocará dificultades de arranque.
<b>B</b>	<b>10W-30</b> - El uso de 10W-30 a temperaturas mayores a 80 °F (27 °C) puede provocar un aumento en el consumo de aceite. Verifique el nivel de aceite con frecuencia.
<b>C</b>	<b>5W-30</b>
<b>D</b>	<b>5W-30 sintético</b>
<b>E</b>	<b>Vanguard® Sintético 15W-50</b>

## Verifique el nivel de aceite

**Antes de verificar o agregar aceite**

- Asegúrese de que el motor esté nivelado.
- Limpie todos los desechos del área de llenado de aceite.
- Consulte la sección **Especificaciones** para obtener la capacidad de aceite.

## AVISO

Este motor fue enviado desde Briggs & Stratton sin aceite. Los fabricantes o distribuidores del equipo podrían haber agregado aceite al motor. Antes de arrancar el motor por primera vez, asegúrese de que el nivel de aceite sea el correcto. Agregue el aceite como se especifica en las instrucciones de este manual. Si arrancar el motor sin aceite, se presentarán daños y la reparación del motor no estará cubierta por la garantía.

1. Retire la varilla indicadora de nivel (A, Figura 3) y séquela con un paño limpio.
2. Instale y ajuste la varilla indicadora de nivel de aceite (A, Figura 3).
3. Retire la varilla y revise el nivel de aceite. Asegúrese de que el nivel de aceite esté en la parte superior del indicador de Lleno (B, Figura 3) de la varilla indicadora de nivel de aceite.
4. Si el nivel de aceite es bajo, agregue aceite lentamente en el llenado de aceite del motor (C, Figura 3). No agregue demasiado aceite.
5. Espere un minuto y verifique el nivel de aceite. Asegúrese de que el nivel de aceite sea el correcto.
6. Instale y ajuste la varilla indicadora de nivel de aceite (A, Figura 3).

## Sistema de protección de bajo nivel de aceite (si está instalado)

En algunos motores se ha instalado un sensor de bajo nivel de aceite. Si el nivel de aceite está bajo, el sensor mostrará una luz de advertencia o detendrá el motor. Detenga el motor y siga los pasos a continuación antes de arrancar el motor.

- Asegúrese de que el motor esté nivelado.
- Haga una comprobación del nivel de aceite. Consulte la sección **Verificación del nivel de aceite**.
- Si el nivel de aceite es bajo, agregue la cantidad correcta de aceite. Arranque el motor y asegúrese de que la luz de advertencia (si está instalada) no se encienda.
- Si el nivel de aceite es bajo, no arranque el motor. Comuníquese con un distribuidor de servicio autorizado de Briggs & Stratton para corregir el problema del aceite.

## Recomendaciones acerca del combustible

**El combustible debe cumplir con estos requisitos:**

- Gasolina limpia, fresca y sin plomo.
- Un mínimo de 87 octanos/87 AKI (91 RON). Para uso en grandes alturas, consulte a continuación.
- Se permite gasolina con hasta un 10 % de etanol (gasohol).

## AVISO

No utilice gasolina no aprobada, como la E15 y la E85. No mezcle la gasolina con aceite ni cambie el motor para usarlo con combustibles alternativos. El uso de combustibles no aprobados podría provocar daños a los componentes del motor, lo que no será reparado bajo la garantía.

Para proteger el sistema de combustible de la formación de goma y la corrosión, mezcle el combustible con un estabilizador de combustible sin alcohol y un tratamiento de etanol. Consulte la sección **Almacenamiento**. No todos los combustibles son iguales. Si ocurren problemas de arranque o de rendimiento, cambie el proveedor o la marca del combustible. Este motor está certificado para funcionar con gasolina. El sistema de control de emisiones para motores carburados es EM (modificaciones del motor). Los sistemas de control de emisiones para motores con inyección de combustible electrónica son ECM (módulo de control del motor), MPI (inyección multipuerto) y, si lo tiene, un O2S (sensor de oxígeno).

## Gran altura

En alturas de más de 5000 pies (1524 metros), se permite una gasolina con un mínimo de 85 octanos/85 AKI (89 RON).

Para motores carburados, se requiere realizar el ajuste de gran altura para mantener el rendimiento. El funcionamiento sin este ajuste provocará una disminución en el rendimiento y un aumento en el consumo de combustible y en las emisiones. Comuníquese con un Distribuidor de Servicio Autorizado por Briggs & Stratton para obtener información sobre el ajuste de gran altura. No se recomienda operar la máquina a alturas menores de 2500 pies (762 metros) con el ajuste de gran altura.

En el caso de motores con inyección de combustible electrónica (EFI), no se requiere un ajuste de gran altura.

## Agregar combustible



### ADVERTENCIA

El combustible y sus vapores son inflamables y explosivos. El fuego o una explosión podrían provocar quemaduras o la muerte.

#### Cuando agregue combustible

- Detenga el motor. Antes de quitar la tapa del combustible, espere un mínimo de dos (2) minutos para asegurarse de que el motor esté frío.
  - Llene el tanque de combustible al aire libre o en un área con buena circulación de aire.
  - No ponga demasiado combustible en el tanque. Para permitir la expansión del combustible, no llene el tanque de combustible arriba de la parte inferior del cuello.
  - Mantenga el combustible alejado de chispas, llamas abiertas, llamas piloto, calor y otras fuentes de ignición.
  - Examine frecuentemente las líneas de combustible, el tanque de combustible, la tapa del combustible y las conexiones en busca de grietas o fugas. Reemplace las piezas dañadas.
  - Si el combustible se derrama, espere a que se seque antes de arrancar el motor.
1. Limpie la suciedad y los desechos en el área de la tapa de llenado de combustible. Retire la tapa de llenado de combustible.
  2. Llene el tanque de combustible (A, Figura 4) con combustible. Puesto que el combustible se expandirá, no llene más arriba de la parte inferior del cuello del tanque de combustible (B).
  3. Instale la tapa de llenado de combustible.

## Arranque y detención del motor



### ADVERTENCIA

La retracción rápida del cordón del arrancador (retroceso) tirará de su mano y brazo hacia el motor más rápido de lo que puede sostenerlo. Podrían presentarse roturas en los huesos, fracturas, contusiones, o torceduras.

- Para evitar el retroceso al arrancar el motor, hale del cordón del arrancador lentamente hasta sentir resistencia y luego suéltelo rápidamente.
- Antes de arrancar el motor, desconecte o retire cualquier carga externa del motor/equipo.
- Asegúrese de que los componentes del equipo acoplados directamente, entre otros, cuchillas, propulsores, poleas y ruedas dentadas estén firmemente acoplados.



### ADVERTENCIA

El combustible y sus vapores son inflamables y explosivos. El fuego o una explosión podrían provocar quemaduras o la muerte.

#### Cuando arranque el motor

- Asegúrese de que la bujía, el silenciador, la tapa del combustible y el limpiador de aire (si tiene) estén correctamente instalados.
- No arranque el motor si retiró la bujía.
- Si el motor está inundado, lleve el estrangulador (si tiene) a la posición ABIERTO o MARCHA. Mueva el acelerador (si tiene) a la posición RÁPIDO y de arranque hasta que el motor se encienda.
- Si hay alguna filtración de gas natural o gas LP en el área, no arranque el motor.
- Puesto que los vapores son inflamables, no utilice fluidos de encendido presurizados.



### ADVERTENCIA

PELIGRO DE GAS NOCIVO. Las emisiones del motor contienen monóxido de carbono, un gas nocivo que podría causar la muerte en minutos. Aunque no huele los gases del escape, puede estar expuesto al peligroso gas de monóxido de carbono. Si usted se siente enfermo, adormecido, o débil al utilizar este producto, diríjase hacia un lugar con aire fresco DE INMEDIATO. Consulte a un médico. Es probable que se haya intoxicado con monóxido de carbono.

- El gas de monóxido de carbono puede acumularse en los espacios habitados. Para reducir el riesgo del gas de monóxido de carbono, SOLAMENTE opere este producto al aire libre, lejos de ventanas, puertas y ventilaciones.
- Instale alarmas de monóxido de carbono operadas por baterías o alarmas de monóxido de carbono para enchufar con batería de respaldo según lo que especifiquen las instrucciones del fabricante. Los detectores de humo no detectan el gas de monóxido de carbono.
- NO opere este producto en viviendas, garajes, sótanos, espacios reducidos, cobertizos u otros espacios cerrados, incluso si usa ventiladores o deja las puertas y ventanas abiertas a manera de ventilación. Después de la operación de este producto, el monóxido de carbono puede acumularse rápidamente en estos espacios y permanecer durante horas.
- SIEMPRE ubique este producto a favor del viento y mantenga el escape del motor alejado de los espacios confinados.

### AVISO

Este motor fue enviado desde Briggs & Stratton sin aceite. Los fabricantes o distribuidores del equipo podrían haber agregado aceite al motor. Antes de arrancar el motor por primera vez, asegúrese de que el nivel de aceite sea el correcto. Agregue el aceite como se especifica en las instrucciones de este manual. Si arrancar el motor sin aceite, se presentarán daños y la reparación del motor no estará cubierta por la garantía.

#### Tipos de sistemas de encendido

Antes de arrancar el motor, debe conocer el tipo de sistema de encendido de su motor. Su motor tiene uno de estos tipos.

- **Sistema de inyección de combustible electrónica (EFI):** Este sistema no tiene un estrangulador ni un cebador.
- **Sistema del estrangulador:** Este tipo de sistema tiene un estrangulador que se utiliza en temperaturas frías. Algunos modelos tendrán un control de estrangulamiento, mientras que otros tendrán una combinación de control de estrangulador y acelerador. No tiene cebador.

**NOTA:** Su equipo podría tener controles remotos. Consulte el manual del equipo para conocer la ubicación y el funcionamiento de los controles remotos.

#### Sistema de inyección de combustible electrónica (EFI)

1. Revise el aceite del motor. Consulte la sección **Verificación del nivel de aceite**.
2. Asegúrese de que los controles de transmisión del equipo, si están instalados, estén desconectados.
3. Mueva el cierre de combustible (A, Figura 5), si está instalado, a la posición ABIERTO
4. Mover el control del acelerador a la posición LENTO.
5. Gire el interruptor de arranque eléctrico (D, Figura 5) a la posición ENCENDIDO o a la posición ARRANQUE.

**AVISO** Para prolongar la vida útil del arrancador, haga ciclos cortos de arranque (cinco segundos como máximo). Espere un minuto entre los ciclos de arranque.

Si el motor no arranca después de 3 o 4 intentos, póngase en contacto con su distribuidor local o vaya a [vanguardpower.com](http://vanguardpower.com) o llame 1-800-999-9333.

#### Sistema del estrangulador

1. Revise el aceite del motor. Consulte la sección **Verificación del nivel de aceite**.
2. Asegúrese de que los controles de transmisión del equipo, si están instalados, estén desconectados.
3. Mueva el cierre de combustible (A, Figura 5), si está instalado, a la posición ABIERTO
4. Mueva el control del acelerador (B, Figura 5), si está instalado, a la posición RÁPIDO.
5. Mueva el control del estrangulador (C, Figura 5) a la posición CERRADO.

**NOTA:** Para arrancar el motor con un sistema de combustible seco, será necesario un tiempo adicional de arranque en la posición estrangulador. Esto dará tiempo a la bomba de combustible para cebar el sistema de combustible.

6. Gire el interruptor de llave (D, Figura 5) a la posición ENCENDIDO o a la posición ARRANQUE.
7. Si el motor arranca pero no sigue operando, mueva el control del estrangulador (C, Figura 5) a la posición ABIERTO para arrancar el motor.

**AVISO** Para prolongar la vida útil del arrancador, haga ciclos cortos de arranque (cinco segundos como máximo). Espere un minuto entre los ciclos de arranque.

8. Cuando se caliente el motor, mueva el control del estrangulador (C, Figura 5) a la posición ABIERTO.

**NOTA:** Si el motor no arranca, póngase en contacto con su distribuidor local o vaya a [vanguardpower.com](http://vanguardpower.com) o llame al 1-800-999-9333 (en EE. UU.).

## Detención del motor



### ADVERTENCIA

El combustible y sus vapores son inflamables y explosivos. El fuego o una explosión podrían provocar quemaduras o la muerte.

- No cebe el carburador (si tiene) para detener el motor.
1. Mueva el control del acelerador a la posición LENTO. Gire el interruptor de llave (D, Figura 6) a la posición APAGADO
  2. Retire la llave, y manténgala en un sitio seguro fuera del alcance de los niños.
  3. Después de que se haya detenido el motor, mueva el cierre de combustible (A, Figura 6), si está instalado, a la posición CERRADO.

## Mantenimiento

### Información de mantenimiento



### ADVERTENCIA

El combustible y sus vapores son inflamables y explosivos. El fuego o una explosión podrían provocar quemaduras o la muerte.

Durante el mantenimiento, si es necesario inclinar la unidad, asegúrese de que el tanque de combustible, si está montado en el motor, esté vacío y que el extremo del motor donde está la bujía esté elevado. Si el tanque de combustible no está vacío, puede producirse un derrame de combustible y podría ocasionarse un incendio o una explosión. Si el motor está inclinado en una dirección diferente, no arrancará fácilmente debido a la contaminación del filtro de aire o de la bujía por aceite o combustible.



### ADVERTENCIA

La chispa accidental del motor puede provocar una descarga eléctrica, un incendio o una explosión y podría resultar en un enredo, una amputación traumática o una laceración.

#### Antes de que realice ajustes o reparaciones:

- Desconecte todos los cables de las bujías y manténgalos alejados de las bujías.
- Desconecte el cable de la batería del terminal negativo de la batería (solo motores con arranque eléctrico).
- Use solamente las herramientas correctas.

#### Cuando verifique si hay chispa:

- Use un probador de bujías aprobado.
- No revise si hay chispa con la bujía extraída.



### ADVERTENCIA

Las piezas de repuesto deben ser del mismo diseño y deben ser instaladas en la misma posición que las piezas originales. Otras piezas podrían provocar daños o lesiones.

### AVISO

Todos los componentes usados para armar este motor deben permanecer en su lugar para un funcionamiento apropiado.

Consulte a un distribuidor de servicio autorizado de Briggs & Stratton para todo el mantenimiento y servicio del motor y las piezas del motor.

## Mantenimiento del control de emisiones

Para el mantenimiento, la sustitución o la reparación de los dispositivos y sistemas de control de emisiones, póngase en contacto con un establecimiento de reparación de motores todo terreno calificado o con un técnico de servicio. Sin embargo, para obtener un servicio de control de emisiones "sin costo", el trabajo debe ser realizado por un distribuidor autorizado de la fábrica. Consulte las Declaraciones de Control de Emisiones.

## Programa de mantenimiento

### Intervalos de 8 horas o diariamente

- Revise el nivel de aceite del motor.
- Limpie el área alrededor del silenciador y los controles.

### Intervalos de 100 horas o anualmente

- Reemplace las bujías.
- Cambie el aceite del motor.
- Reemplace el filtro de aceite (si está instalado).
- Mantenimiento del filtro de aire.<sup>1</sup>
- Limpie el prefiltro (si está instalado)<sup>1</sup>.
- Realice el mantenimiento del sistema de escape.

### Intervalos de 250 horas o anualmente

- Verifique el espacio libre de la válvula. Ajustelo si es necesario.

### Intervalos de 400 horas o anualmente

- Reemplace el filtro de aire.
- Reemplace el filtro de combustible.
- Mantenimiento del sistema de refrigeración por aire<sup>1</sup>.
- Limpie las aberturas del refrigerador de aceite<sup>1</sup>.

<sup>1</sup> Limpie con más frecuencia en condiciones de polvo o cuando haya muchas partículas en el aire.

## Sistema de inyección de combustible electrónica (EFI)

El sistema EFI controla la temperatura del motor, la velocidad del motor y el voltaje de la batería para el arranque y el calentamiento del motor. El sistema no tiene ajustes. Si hay problemas de arranque u operación, póngase en contacto con un distribuidor de servicio autorizado de Briggs & Stratton.

**AVISO** Asegúrese de obedecer los pasos que figuran a continuación pues de lo contrario podría presentarse daño en el sistema EFI.

- NO arranque el motor si los cables de la batería están flojos.
- Gire la llave a la posición APAGADO antes de desconectar, retirar y/o instalar la batería.
- NO use un cargador de baterías para arrancar el motor.
- NO desconecte los cables de la batería durante la operación del motor.
- Cuando desconecte los cables de la batería, conecte el cable positivo (+) primero y, luego conecte el cable negativo (-) a la batería.
- Cuando se cargue la batería, gire el interruptor de encendido a la posición APAGADO y desconecte el cable negativo (-) de la batería.
- NO rocíe con agua el módulo de control electrónico.

## Carburador y velocidad del motor

No realice ajustes en el carburador, el resorte del regulador, las conexiones u otras piezas para ajustar la velocidad del motor. Si se necesitan ajustes, comuníquese con un distribuidor de servicio autorizado de Briggs & Stratton para solicitar el servicio.

### AVISO

El fabricante del equipo especifica la velocidad máxima del motor tal y como está instalado en el equipo. No exceda esta velocidad. Si no está seguro de la velocidad máxima del equipo o de la velocidad del motor predeterminada de fábrica, póngase en contacto con un distribuidor de servicio autorizado de Briggs & Stratton para obtener ayuda. Para una operación segura y correcta del equipo, la velocidad del motor solo debe ajustarse por un técnico de servicio calificado.

## Mantenimiento de las bujías

Verifique la separación entre bujías (A, Figura 7) con un calibrador de bujías (B). Si es necesario, ajuste la separación entre bujías. Instale y apriete la bujía con el par de torsión correcto. Para obtener información acerca de las especificaciones de la separación o del par de torsión, consulte la sección **Especificaciones**.

## Mantenimiento del sistema de escape



### ADVERTENCIA

Durante la operación, el motor y el silenciador se calientan. Si toca un motor caliente, pueden producirse quemaduras térmicas.

Los materiales combustibles, como hojas, césped y hierbas se pueden inflamar.

- Antes de tocar el motor o el silenciador, detenga el motor y espere dos (2) minutos. Asegúrese de que el motor y el silenciador se puedan tocar con seguridad.
- Quite los residuos del silenciador y del motor.

Es una infracción del Código de Recursos Públicos de California (California Public Resource Code), Sección 4442, utilizar u operar el motor en cualquier terreno forestal o

cubierto por árboles o césped, a menos que el sistema de escape esté equipado con un supresor de chispas, en virtud de la Sección 4442, el cual se debe mantener en buenas condiciones de operación. Es posible que otros estados o jurisdicciones federales cuenten con leyes similares; consulte la Regulación Federal 36 CFR Sección 261.52. Póngase en contacto con el vendedor, el distribuidor o el fabricante del equipo original para obtener un extintor de chispas diseñado para el sistema de escape instalado en este motor.

Retire los residuos del área del silenciador y del cilindro. Inspeccione el silenciador en busca de grietas, corrosión u otros daños. Retire el deflector del supresor de chispas, si tiene, e inspecciones en busca de daños u obstrucciones de carbón. Si se encuentran daños, instale las piezas de repuesto antes de operar el equipo.



#### ADVERTENCIA

Las piezas de repuesto deben ser del mismo diseño y deben ser instaladas en la misma posición que las piezas originales. Otras piezas podrían provocar daños o lesiones.

## Cambie el aceite del motor



#### ADVERTENCIA

El combustible y sus vapores son inflamables y explosivos. El fuego o una explosión podrían provocar quemaduras o la muerte.

Durante la operación, el motor y el silenciador se calientan. Si toca un motor caliente, pueden producirse quemaduras térmicas.

- Si drena el aceite desde el tubo de llenado de aceite superior, el tanque de combustible debe estar vacío. Si no está vacío, puede producirse un derrame de combustible y ocasionarse un incendio o una explosión.
- Antes de tocar el motor o el silenciador, detenga el motor y espere dos (2) minutos. Asegúrese de que el motor y el silenciador se puedan tocar con seguridad.

El aceite usado es un peligroso producto de desecho y debe eliminarse correctamente. No lo descarte con los residuos domésticos. Comuníquese con sus autoridades locales, su centro de servicio o su distribuidor para conocer las instalaciones para su disposición o reciclaje seguro.

## Remoción del aceite

1. Con el motor APAGADO pero aún caliente, desconecte el(los) cable(s) de bujía (D, Figura 8), y aléjelo(s) de la(s) bujía(s) (E).
2. Retire la varilla indicadora de nivel de aceite (A, Figura 9).
3. Retire el tapón para drenaje de aceite (F, Figura 10). Drene el aceite en un recipiente aprobado.
4. Instale y apriete el tapón de drenaje de aceite (F, Figura 10).

## Cambio del filtro de aceite

1. Vacíe el aceite del motor. Consulte la sección **Remoción del aceite**.
2. Retire el filtro de aceite (H, Figura 11) y deseche correctamente.
3. Antes de instalar el nuevo filtro de aceite, lubrique ligeramente la empaquetadura del filtro de aceite con aceite limpio.
4. Instale manualmente el filtro de aceite hasta que el empaque haga contacto con el adaptador del filtro de aceite, luego apriete el filtro de aceite dándole de 1/2 a 3/4 de giro.
5. Agregue aceite. Consulte la sección **Agregar aceite**.
6. Arranque y opere el motor. Cuando el motor esté caliente, revise si hay fugas de aceite.
7. Detenga el motor. Asegúrese de que el nivel de aceite esté en la parte superior del indicador de lleno en la varilla indicadora de nivel de aceite. Consulte la sección **Agregar aceite**.

## Agregar aceite

- Asegúrese de que el motor esté nivelado.
- Limpie todos los desechos del área de llenado de aceite.
- Consulte la sección **Especificaciones** para obtener la capacidad de aceite.

1. Retire la varilla indicadora de nivel de aceite (A, Figura 3). Quite el aceite de la varilla indicadora con un paño limpio.
2. Agregue aceite nuevo lentamente en el tubo de llenado de aceite del motor (C, Figura 3). **No ponga demasiado aceite en el llenado de aceite del motor.** Espere un minuto y compruebe el nivel de aceite.

**NOTA:** No agregue aceite en el drenaje rápido de aceite, si está equipado.

3. Instale y ajuste la varilla indicadora de nivel de aceite (A, Figura 3).
4. Retire la varilla y revise el nivel de aceite. El nivel de aceite debe estar en la parte superior del indicador de lleno (B, Figura 3) de la varilla indicadora de nivel de aceite.

5. Instale y ajuste la varilla indicadora de nivel de aceite (A, Figura 3).
6. Conecte el(los) cable(s) de la(s) bujía(s) a las bujía(s). Vea la sección **Remoción del aceite**

## Mantenimiento del filtro de aire



#### ADVERTENCIA

Los vapores del combustible son inflamables y explosivos. El fuego o una explosión podrían provocar quemaduras o la muerte.

- No arranque y opere el motor sin el montaje de limpiador de aire (si tiene) o el filtro de aire (si tiene).

#### AVISO

No use aire presurizado ni solventes para limpiar el filtro. El aire presurizado podría dañar el filtro y los disolventes lo disolverán.

Véase el **Programa de mantenimiento** para conocer los requisitos de servicio.

El sistema de filtro de aire utiliza un filtro de papel con un prefiltro opcional. El prefiltro se puede limpiar y volver a utilizar. Algunos modelos también pueden tener un prefiltro opcional que se puede limpiar y volver a utilizar.

1. Retire el(los) sujetador(es) (A, Figura 12).
2. Retire la cubierta (B, Figura 12).
3. Retire el(los) sujetador(es) (C, Figura 12) y el retén (D).
4. Quite el filtro de aire (F, Figura 12).
5. Para aflojar los residuos, golpee ligeramente el filtro de aire (F, Figura 12) en una superficie dura. Si el filtro está sucio, reemplácelo por otro nuevo.
6. Retire el prefiltro (E, Figura 12), del filtro de aire (F).
7. Lave el prefiltro (E, Figura 12) con detergente líquido y agua. Deje que el prefiltro se seque al aire completamente. **NO** lubrique el prefiltro.
8. Monte el prefiltro seco (E, Figura 12), en el filtro de aire (F).
9. Instale el filtro de aire (E, Figura 12) y fíjelo con el retenedor (D) y el(los) sujetador(es) (C).
10. Instale la cubierta (B, Figura 12) y fíjela con el(los) sujetador(es) (A). Compruebe que el(los) sujetador(es) estén ajustados.

## Mantenimiento del sistema de combustible



#### ADVERTENCIA

El combustible y sus vapores son inflamables y explosivos. El fuego o una explosión podrían provocar quemaduras o la muerte.

- Mantenga el combustible alejado de chispas, llamas abiertas, llamas piloto, calor y otras fuentes de ignición.
- Examine frecuentemente las líneas de combustible, el tanque de combustible, la tapa del combustible y las conexiones en busca de grietas o fugas. Reemplace las piezas dañadas.
- Si el combustible se derrama, espere a que se seque antes de arrancar el motor.

## Filtro de combustible, si está instalado

1. Antes de reemplazar el filtro de combustible (A, Figura 13), drene el tanque de combustible o cierre la válvula de corte de combustible. Si no se vacía el depósito de combustible, pueden producirse fugas de combustible y provocar un incendio o una explosión.
2. Apriete las lengüetas (B, Figura 13) de las abrazaderas (C) con unos alicates. Aleje las abrazaderas del filtro de combustible (A).
3. Gire y tire de las líneas de combustible (D, Figura 13) del filtro de combustible.
4. Examine las líneas de combustible (D, Figura 13) en busca de grietas o fugas. Si es necesario, reemplace las líneas de combustible.
5. Reemplace el filtro de combustible (A, Figura 13).
6. Sujete las líneas de combustible (D, Figura 13) con abrazaderas (C).

## Mantenimiento del sistema de enfriamiento



#### ADVERTENCIA

Durante la operación, el motor y el silenciador se calientan. Si toca un motor caliente, pueden producirse quemaduras térmicas.

Los residuos combustibles, como hojas, césped y hierbas se pueden inflamar.

- Antes de tocar el motor o el silenciador, detenga el motor y espere dos (2) minutos. Asegúrese de que el motor y el silenciador se puedan tocar con seguridad.
- Quite los residuos del silenciador y del motor.

## AVISO

No use agua para limpiar el motor. El agua podría ocasionar la contaminación del sistema de combustible. Use un cepillo o un paño seco para limpiar el motor.

Este es un motor refrigerado por aire. La suciedad o los desechos pueden impedir el flujo de aire y hacer que el motor se caliente demasiado, lo que provoca un rendimiento insatisfactorio y la disminución de la vida útil del motor.

1. Use un cepillo o un paño seco para quitar los residuos de la rejilla de toma de aire.
2. Mantenga limpias las conexiones, los muelles y los controles.
3. Mantenga el área alrededor y detrás del silenciador, si tiene, libre de desechos combustibles.
4. Asegúrese de que las aletas del refrigerador de aceite, si tiene, estén limpias.

Después de cierto tiempo, las aletas de enfriamiento del cilindro pueden acumular residuos y provocar el sobrecalentamiento del motor. Este material no deseado no se puede retirar sin desmontar parcialmente el motor. Haga que un Distribuidor de Servicio Autorizado de Briggs & Stratton inspeccione y limpie el sistema de refrigeración por aire como se recomienda en el **Plan de mantenimiento**.

## Almacenamiento Sistema de combustible

Consulte la Figura: 14.



**ADVERTENCIA**  
El combustible y sus vapores son inflamables y explosivos. El fuego o una explosión podrían provocar quemaduras o la muerte.

### Almacenamiento del combustible

- Puesto que las luces piloto u otras fuentes de ignición pueden causar explosiones, mantenga el combustible o el equipo lejos de hornos, estufas, calentadores de agua u otros aparatos que tengan luces piloto.

Mantenga el nivel del motor (posición de operación normal). Llene el tanque de combustible (A, Figura 14) con combustible. Por la expansión del combustible, no llene en exceso por encima del cuello del tanque de combustible (B).

El combustible puede echarse a perder cuando se conserva en un contenedor de almacenamiento durante más de 30 días. Se recomienda el uso de un estabilizador de combustible sin alcohol y un tratamiento con etanol en el contenedor de almacenamiento de combustible.

Cuando llene el recipiente de combustible, añada un estabilizador de combustible sin alcohol según las instrucciones del fabricante. Si la gasolina en el motor no ha sido tratada con un estabilizador de combustible, ésta debe ser drenada dentro de un contenedor aprobado. Opere el motor hasta que se detenga por falta de combustible.

## Aceite del motor

Con el motor aún caliente, cambie el aceite del motor. Consulte la sección **Cambio de aceite del motor**.

## Solución de problemas

### Asistencia

Si necesita asistencia, comuníquese con su distribuidor local o visite **BRIGGSandSTRATTON.COM** o llame al **1-800-444-7774** (en EE. UU.).

## Especificaciones

### Especificaciones y piezas de servicio

Modelos: 613700, 61E900, 61G900	
Desplazamiento	60.60 pulg cúbicas (993 cc)
Diámetro	3.366 pulg (85,5 mm)
Carrera	3.406 pulg (86,5 mm)
Capacidad de aceite	78 - 80 oz (2,3 - 2,4 L)
Apertura de la bujía	.030 pulg (.76 mm)
Torque de la bujía	180 lb-pulg (20 Nm)
Entrehierro del inducido	.005 - .008 pulg (.13 - .20 mm)
Espacio libre de la válvula de admisión	.004 - .006 pulg (.10 - .15 mm)
Espacio libre de la válvula de escape	.007 - .009 pulg (.18 - .23 mm)

### Mantenimiento de piezas - Modelos: 613700, 61E900, 61G900

Repuesto	Número de pieza
Filtro de aire de papel	692519

### Mantenimiento de piezas - Modelos: 613700, 61E900, 61G900

Prefiltro	692520
Aceite - SAE 30	100028
Filtro de aceite	842921
Filtro de combustible	695666
Bujía con resistor	491055S
Bujía de platino de larga vida	5066K
Llave para bujías	19576S
Probador de bujías	84003327

La potencia del motor disminuirá un 3,5 % por cada 1000 pies (300 metros) por encima del nivel del mar y un 1 % por cada 10 °F (5,6 °C) por encima de 77 °F (25 °C). El motor funcionará satisfactoriamente en un ángulo de hasta 15°. Consulte el Manual del operador del equipo para conocer los límites de operación seguros permitidos en pendientes.

## Clasificación de potencia

La potencia nominal bruta para los modelos de motor de gasolina individuales está etiquetada conforme al código SAE (Sociedad de Ingenieros Automotrices) J1940, Procedimiento de calificación de potencia y torque para motores pequeños, y está clasificada conforme a SAE J1995. Los valores de torque se obtienen a 2600 RPM para los motores con "rpm" indicado en la etiqueta y 3060 RPM para todos los demás. Los valores de potencia se obtienen a 3600 RPM. Las curvas de potencia bruta se pueden ver en [www.BRIGGSandSTRATTON.COM](http://www.BRIGGSandSTRATTON.COM). Los valores de potencia neta se obtienen con un limpiador de aire y un escape instalados, mientras que los valores de potencia bruta se recopilan sin estos aditamentos. La potencia bruta real del motor es mayor que la potencia neta del motor y depende, entre otros factores, de las condiciones ambientales de uso y de las variaciones entre los motores. Dada la amplia gama de productos donde se colocan los motores, el motor de gasolina puede no desarrollar la potencia bruta nominal cuando se usa en un equipo de potencia determinado. Esta diferencia se debe, entre otros, a los siguientes factores: variedad de componentes del motor (limpiador de aire, escape, carga, enfriamiento, carburador, bomba de combustible, etc.), limitaciones de la aplicación, condiciones ambientales de uso (temperatura, humedad, altitud) y variaciones entre los motores. Debido a limitaciones de fabricación y capacidad, Briggs & Stratton puede sustituir un motor de una potencia nominal mayor por este motor.

## Garantía

### Garantía para motores Briggs & Stratton®

Vigente a partir de agosto de 2022

#### Garantía limitada

Briggs & Stratton garantiza que, durante el periodo de garantía especificado a continuación, reparará o reemplazará, sin cargo alguno, por una pieza nueva, reacondicionada o remanufacturada, a criterio exclusivo de Briggs & Stratton, cualquier pieza defectuosa en cuanto a material, mano de obra o ambos. Los gastos de transporte del producto sometido a reparación o cambio conforme a garantía deben ser abonados por el comprador. Esta garantía se mantiene vigente durante los periodos de tiempo indicados a continuación y está sujeta a dichos periodos y a las condiciones presentadas a continuación. Para obtener servicio de garantía, encuentre el distribuidor de servicio autorizado más cercano en nuestro mapa localizador de distribuidores en [BRIGGSandSTRATTON.COM](http://BRIGGSandSTRATTON.COM). El comprador debe ponerse en contacto con el distribuidor de servicio autorizado y entregarle el producto para la inspección y prueba.

**No existe ninguna otra garantía explícita.** Las garantías implícitas, incluidas las de comerciabilidad y aptitud para una finalidad específica, quedan limitadas a un año a partir de la fecha de compra, o en la medida en que lo permita la ley. Quedan excluidas todas las demás garantías implícitas. **La responsabilidad de daños fortuitos o consecuentes queda excluida en la medida que dicha exclusión esté permitida por ley.** Algunos estados o países no contemplan limitaciones en cuanto a la duración de una garantía implícita, y otros estados o países no permiten la exclusión o limitación de daños consecuentes o incidentales, en cuyo caso la limitación y la exclusión anteriores pueden no ser aplicables a usted. Esta garantía le da derechos legales específicos, pudiendo tener a su vez otros derechos que varían de un estado a otro o de un país a otro.

### Términos de la garantía estándar <sup>1, 2</sup>

#### Vanguard®, Serie comercial

Uso privado: 36 meses

Uso comercial: 36 meses

#### Serie XR

Uso privado: 24 meses

Uso comercial: 24 meses

Todos los demás motores con manga de hierro fundido Dura-Bore™



<b>Términos de la garantía estándar</b> <sup>1, 2</sup>
Uso privado: 24 meses
Uso comercial: 12 meses
<b>Todos los demás motores</b>
Uso privado: 24 meses
Uso comercial: 3 meses

<sup>1</sup> Estos son nuestros términos estándar de garantía, pero ocasionalmente puede haber una cobertura de garantía adicional no determinada en el momento de la publicación. Para obtener una lista de los términos actuales de garantía para su motor, vaya a BRIGGSandSTRATTON.COM o comuníquese con el distribuidor de servicio autorizado de Briggs & Stratton.

<sup>2</sup> No hay garantía para los motores de los equipos usados para suministrar energía primaria en sustitución de un servicio público, los generadores de energía de emergencia para fines comerciales, los vehículos utilitarios que excedan una velocidad máxima de 25 mph, o los motores que se usan en eventos competitivos o en pistas de carreras comerciales o de alquiler.

\* En Australia: nuestros productos vienen con garantías que no se pueden excluir en virtud de la Ley australiana de protección al consumidor (Australian Consumer Law). Usted tiene derecho a una sustitución o a un reembolso por una avería importante y a compensación por cualquier otra pérdida o daño razonablemente previsible. También tiene derecho a una reparación o sustitución de productos si estos no son de una calidad aceptable y la avería no asciende a una avería más importante. Para obtener el servicio de garantía, busque al distribuidor de servicio autorizado más cercano en el mapa localizador de distribuidores en BRIGGSandSTRATTON.COM, o llamando al 1300 274 447, o mediante un correo electrónico o carta a salesenquiries@briggsandstratton.com.au, Briggs & Stratton Australia Pty Ltd., 1 Moorebank Avenue, Moorebank, NSW, Australia, 2170.

El período de garantía comienza en la fecha de compra por parte del primer consumidor minorista o usuario final comercial, y continúa durante el período de tiempo que se indica en la tabla anterior. "Uso privado" significa uso doméstico personal por parte de un consumidor final. "Uso comercial" significa todos los demás usos, incluidos los usos con fines comerciales, de generación de ingresos o alquiler. Una vez que el motor haya experimentado uso comercial, será considerado en adelante como motor de uso comercial a los fines de esta garantía.

**No es necesario registrar la garantía para obtenerla en los productos Briggs & Stratton. Guarde su recibo de comprobante de compra. Si no aporta un comprobante de la fecha de compra inicial al solicitar el servicio de garantía, se tomará la fecha de fabricación del producto para determinar el periodo de garantía.**

#### **Acerca de su garantía**

Esta garantía limitada cubre únicamente problemas de materiales y/o mano de obra asociados al motor, y no la sustitución o el reembolso del equipo en el que el motor puede estar montado. El mantenimiento de rutina, la puesta a punto, los ajustes o el desgaste normal no están cubiertos bajo esta garantía. Asimismo, la garantía queda anulada si el motor ha sido alterado o modificado, o si el número de serie del motor ha sido desfigurado o eliminado. Esta garantía no cubre daños al motor o problemas de desempeño causados por:

1. El uso de piezas que no son piezas originales Briggs & Stratton;
2. El funcionamiento del motor con aceite lubricante insuficiente, contaminado o de grado incorrecto;
3. El uso de combustible contaminado o rancio, gasolina formulada con un contenido de etanol mayor al 10 %, o el uso de combustibles alternativos tales como gas licuado del petróleo o gas natural en motores no diseñados o fabricados originalmente por Briggs & Stratton para operar con tales combustibles;
4. Suciedad que ingresa al motor debido a mantenimiento o reensamblado incorrecto del limpiador de aire;
5. Golpear un objeto con la cuchilla de corte de un cortacésped rotatorio, adaptadores de la cuchilla, impulsores u otros dispositivos acoplados al cigüeñal sueltos o instalados incorrectamente, o excesiva tirantez de la correa en V;
6. Piezas o ensambles asociados, tales como embragues, transmisiones, controles de equipos, etc., no suministrados por Briggs & Stratton;
7. Sobre calentamiento debido a recortes de hierba, suciedad y desechos, o nidos de roedores que taponan u obstruyen las aletas de refrigeración o el área de la volante, o por poner en funcionamiento el motor sin suficiente ventilación;
8. Vibración excesiva debida al exceso de velocidad, montaje flojo del motor, cuchillas o impulsores flojos o no balanceados, o acoplamiento incorrecto de los componentes del equipo al cigüeñal;
9. Uso incorrecto, falta de mantenimiento de rutina, transporte, manipulación o almacenamiento de los equipos, o instalación incorrecta del motor.

El servicio de garantía solo está disponible a través de los distribuidores de servicio autorizados de Briggs & Stratton. Ubique a su distribuidor de servicio autorizado más cercano en nuestro mapa localizador de distribuidores en BRIGGSandSTRATTON.COM o llamando al 1-800-444-7774 (en EE. UU.).

80114782 (Revisión A)

## **Garantía de emisiones de Briggs & Stratton**

**Declaración de garantía de control de emisiones de la EPA de EE. UU. y Briggs & Stratton, LLC: Sus derechos y obligaciones bajo la garantía**  
**Para los modelos de motores marinos Briggs & Stratton con designación de versión "J" (Modelo-Tipo-Representación de versión xxxxxx xxxx Jx)**

La EPA de EE. UU. y Briggs & Stratton (B&S) se complacen en explicar la garantía del sistema de control de emisiones en su motor modelo 2022-2024. En Estados Unidos, los motores pequeños todo terreno nuevos y los motores grandes encendidos por chispa de 1,0 litro o menos nuevos deben estar diseñados, fabricados y equipados para cumplir con estrictas normas anticontaminación. B&S debe garantizar el sistema de control de emisiones de su motor durante los períodos que se indican a continuación, siempre que no haya habido maltrato, negligencia o mantenimiento indebido de su motor que diera como resultado la falla del sistema de control de emisiones.

Su sistema de control de emisiones puede incluir piezas como el carburador o el sistema de inyección de combustible, el sistema de ignición, el convertidor catalítico, los tanques de combustible, las líneas de combustible (para combustible líquido y vapores de combustible), tapas de combustible, válvulas, cámaras, filtros, abrazaderas y otros componentes asociados. También puede incluir mangueras, correas, conectores y otros conjuntos relacionados con el sistema de control de emisiones.

Cuando exista una condición sujeta a garantía, B&S reparará su motor sin costo alguno para usted, lo que incluye diagnóstico, piezas y mano de obra.

#### **Cobertura de la garantía del fabricante:**

El sistema de control de emisiones de escape en su motor marino tiene una garantía de cinco (5) años o 175 horas, lo que ocurra primero. Si alguna pieza relacionada con las emisiones en su motor está defectuosa, la pieza será reparada o reemplazada por B&S.

del sistema de control de emisiones de escapes y evaporaciones

#### **Responsabilidades del propietario bajo la garantía:**

- Como propietario del motor, usted es responsable de llevar a cabo todas las operaciones de mantenimiento necesarias indicadas en el Manual del operador. B&S recomienda conservar todas las facturas relativas al mantenimiento del motor, pero B&S no puede denegar la cobertura de la garantía basándose únicamente en la falta de facturas o en su imposibilidad de asegurar la correcta realización de todas las tareas de mantenimiento programadas.
- Sin embargo, como propietario del motor, usted debe ser consciente de que B&S puede negar la cobertura de la garantía si su motor o una parte de él ha fallado a causa de abuso, descuido, mantenimiento inapropiado o modificaciones no aprobadas.
- Usted es responsable de llevar su motor a un centro de distribución de B&S o centro de servicio, en cuanto surja un problema. Las reparaciones bajo la garantía deben completarse en un período de tiempo razonable que no exceda de 30 días. Si tiene preguntas sobre los derechos y responsabilidades relativos a la garantía, debe ponerse en contacto con B&S llamando al 1-800-444-7774 (en EE. UU.) o visitando el sitio BRIGGSandSTRATTON.com.

#### **Disposiciones para la garantía sobre control de emisiones de Briggs & Stratton**

A continuación se detallan las disposiciones concretas relativas a la cobertura de la garantía del sistema de control de emisiones. Es una adición a la garantía del motor de B&S para los motores no regulados, que se encuentra en el Manual del operador.

1. Piezas de emisiones garantizadas  
 La cobertura de esta garantía se extiende únicamente a las piezas que se indican a continuación (las piezas de los sistemas de control de emisiones) en la medida en que estas piezas estén presentes en el motor B&S.
  - a. Sistema de medición de combustible
    - Sistema de enriquecimiento para arranque en frío (estrangulador electrónico)
    - Carburador o sistema de inyección de combustible
    - Sensor de oxígeno
    - Unidad electrónica de control
    - Módulo de la bomba de combustible
  - b. Sistema de inducción de aire
    - Limpiador de aire
    - Colector de admisión
  - c. Sistema de ignición
    - Bujía(s)
    - Sistema de ignición magnética
  - d. Sistema catalizador
    - Convertidor catalítico

- Colector de escape
- Sistema de inyección de aire o válvula de pulso

e. Artículos misceláneos usados en los sistemas anteriores

- Válvulas e interruptores de vacío, temperatura, posición y sensibles al tiempo
- Conectores y conjuntos
- Controles electrónicos

2. Duración de la cobertura

La cobertura es por un período de cinco (5) años a partir de la fecha de entrega a un comprador final o 175 horas, lo que ocurra primero. B&S garantiza al comprador original y a cada comprador posterior que el motor está diseñado, fabricado y equipado conforme a todas las normativas vigentes de la Sección 213 de la Ley de Aire Limpio; que no tiene defectos de materiales ni de mano de obra que puedan causar que falle un componente cubierto por la garantía; y que es idéntico en todos los aspectos materiales al motor descrito en la solicitud de certificación del fabricante. El período de garantía comienza en la fecha en que el motor o el equipo se envían a un comprador final.

La garantía sobre las piezas relacionadas con las emisiones es la siguiente:

- Todas las piezas cubiertas por la garantía que no se deban repuesto como parte del programa de mantenimiento obligatorio detallado en el Manual del operador entregado quedarán cubiertas por la garantía durante el período especificado anteriormente. Si tal pieza falla durante el período de cobertura de la garantía, la pieza será reparada o reemplazada por B&S, sin costo alguno para el propietario. Las piezas que se reparen o sustituyan en virtud de la garantía estarán cubiertas por la garantía durante el período de garantía restante.
- Todas las piezas cubiertas por la garantía que solo se deban inspeccionar periódicamente según el Manual del operador entregado quedarán cubiertas por la garantía durante el período de la garantía especificado anteriormente. Cualquiera de estas piezas que se repare o reemplace bajo garantía estará garantizada durante el período de garantía restante.
- Toda pieza cubierta por la garantía que esté programada para reemplazarse como mantenimiento obligatorio en el Manual del operador entregado, está cubierta por la garantía durante el periodo de tiempo previo al primer punto de reemplazo programado para la pieza. Si la pieza falla antes del primer repuesto programado, la pieza será reparada o reemplazada por B&S, sin costo alguno para el propietario. Las piezas que se reparen o reemplacen en virtud de la garantía estarán cubiertas por la garantía durante el período de garantía restante hasta llegar a la fecha de la primera repuesto.
- No pueden usarse piezas complementarias o modificadas que no estén exentas por la EPA de EE. UU. El uso de cualquier parte complementaria o modificada no exenta por parte del propietario dará lugar a la anulación de la garantía. El fabricante no será responsable de extender la garantía por fallas de piezas cubiertas por la garantía que se deban al uso de piezas adicionales o modificadas que no estén exentas.

3. Cobertura consecencial

La cobertura se ampliará a los fallos de cualesquiera componentes del motor causados por la falla de cualquier pieza garantizada en materia de emisiones.

4. Reclamaciones y exclusiones de la cobertura

Las solicitudes de reclamación de garantía se cumplimentarán según las disposiciones de la política de garantía del motor B&S. La cobertura de garantía no se aplica a fallas de piezas de emisiones que no sean piezas originales de los equipos de B&S o a piezas que fallen debido a abuso, negligencia o mantenimiento incorrecto, según lo establecido en la política de garantía del motor de B&S. B&S no es responsable de la cobertura en garantía de fallas de piezas de emisiones causadas por el uso de piezas adicionales o modificadas.

80111506 (Revisión A)

## Renseignements généraux



Ce manuel contient des consignes de sécurité portant sur les dangers et risques connexes au moteur et comment les prévenir. Il contient également le fonctionnement et l'entretien adéquat de ce moteur. Il est important de lire, de comprendre et de respecter ces instructions. **Conserver ce manuel à des fins de référence.**

**REMARQUE :** Les figures et illustrations dans ce manuel sont fournies à titre éducatif et peuvent différer de votre modèle. Utiliser les figures qui correspondent à la configuration de votre moteur. Au besoin, parler avec un détaillant autorisé de service.

Noter la date d'achat, le modèle de moteur, le type, la garniture et le numéro de série du moteur. Ces numéros se trouvent sur votre moteur. Consulter la section **Caractéristiques et commandes.**

Date d'achat	
Modèle du moteur - Type - Garniture	
Numéro de série du moteur	

## Coordonnées du contact du bureau européen

Pour des questions liées aux émissions européennes, communiquer avec notre bureau européen à:

Max-Born-Straße 2, 68519 Viernheim, Allemagne.

## Union européenne (UE) Phase V (5) : Valeurs de dioxyde de carbone (CO2)

Entrer CO2 dans la fenêtre de recherche sur [BriggsandStratton.com](http://BriggsandStratton.com) pour trouver les valeurs de dioxyde de carbone des moteurs de Briggs & Stratton ayant un certificat d'approbation de la UE.

## Information sur le recyclage




Recycler tous les emballages, les boîtes, les huiles usées et les batteries, tel que spécifié par les réglementations gouvernementales.

## Sécurité de l'utilisateur

### Symbole d'alerte de sécurité et mots-indicateurs



Le symbole d'alerte de sécurité  identifie l'information de sécurité relative aux dangers qui pourraient causer des blessures. Un mot de signalisation (**DANGER**, **AVERTISSEMENT** ou **ATTENTION**) est utilisé pour indiquer la possibilité et la gravité des blessures potentielles. En plus, un symbole de danger est utilisé pour représenter un type de danger.







**DANGER** indique un danger qui, si non évité, **provoquera** la mort ou des blessures graves.





**AVERTISSEMENT** indique un danger qui, si non évité, **pourrait** causer la mort ou des blessures graves.

**ATTENTION** indique un danger qui, si non évité, **pourrait** causer une blessure mineure ou modérée.

**AVIS** indique des informations considérées importantes, mais non liées aux dangers.

## Renseignements et symboles de risque

	Information de sécurité au sujet des dangers qui peuvent causer des blessures corporelles.		Lire et assimiler le Manuel d'utilisation avant de faire fonctionner ou d'entretenir l'unité.
	Risque d'incendie		Risque d'explosion
	Risque de choc électrique		Risque de vapeurs toxiques

	Risque de surface chaude		Risque de rebond
	Risque d'amputation – pièces mobiles		Niveau de carburant – maximum Ne pas trop remplir

## Messages de sécurité



### AVERTISSEMENT

Ce produit peut vous exposer à des agents chimiques, y compris les échappements des moteurs à essence, connus dans l'État de la Californie pour causer le cancer, et le monoxyde de carbone, connu dans l'État de la Californie pour causer des malformations congénitales ou les dommages à l'appareil reproducteur. Pour obtenir de plus amples renseignements, visitez le [www.P65Warnings.ca.gov](http://www.P65Warnings.ca.gov).



### AVERTISSEMENT

Les moteurs Briggs & Stratton® ne sont pas conçus et ne doivent pas être utilisés pour propulser des « fun-karts »; « go-karts »; véhicules récréationnels pour enfants ou sportifs/tous-terrains (VTT); motocyclettes; aéroglisseur, avionet ou véhicules utilisés pour compétitions non sanctionnées par Briggs & Stratton. Pour plus d'information à propos des produits pour courses, visiter [www.briggsracing.com](http://www.briggsracing.com). Pour l'utilisation avec des véhicules utilitaires ou VTT pour passagers côte à côte, communiquer avec le Centre d'application électrique de Briggs & Stratton au 1-866-927-3349. Une utilisation inappropriée du moteur pourrait causer des blessures graves ou mortelles.



### AVERTISSEMENT

**Le carburant et ses vapeurs sont inflammables et explosives. Un incendie ou une explosion pourrait causer des brûlures graves voire la mort.**

#### Lors de l'ajout de carburant

- Arrêter le moteur. Lorsque vous retirez le bouchon de carburant, attendre au moins deux (2) minutes pour s'assurer que le moteur est froid.
- Remplir le réservoir de carburant à l'extérieur ou à un endroit avec une bonne circulation d'air.
- Ne pas mettre trop de carburant dans le réservoir. Pour l'expansion du carburant, ne pas remplir au-dessus du goulot du réservoir de carburant.
- Garder le carburant loin des étincelles, des flammes nues, des veilleuses, de la chaleur et des autres sources d'inflammation.
- Examiner régulièrement les conduites de carburant, le réservoir de carburant, le bouchon de carburant et les raccords pour détecter toute fissure ou fuite. Remplacer les pièces endommagées.
- Si le carburant se renverse, attendre jusqu'à ce qu'il sèche avant de démarrer le moteur.

#### Lors du démarrage du moteur

- Veiller à ce que la bougie d'allumage, le silencieux, le bouchon de carburant et le filtre à air (le cas échéant) soient correctement installés.
- Lorsque la bougie d'allumage est enlevée, ne pas mettre le moteur en marche.
- Si le moteur est noyé, régler le étrangleur (le cas échéant) à la position OUVERT ou MARCHE. Déplacer la manette des gaz (le cas échéant) à la position RAPIDE et faire tourner le moteur jusqu'à ce qu'il démarre.
- S'il y a une fuite de gaz naturel ou PL dans l'endroit où vous êtes, ne pas démarrer le moteur.
- Ne pas utiliser de fluides sous pression car les vapeurs sont inflammables.

#### Lors de l'utilisation de l'équipement

- Ne pas incliner le moteur ou l'équipement à un angle qui risquerait de faire couler du carburant.
- Ne pas étrangler le carburateur (le cas échéant) pour arrêter le moteur.
- Ne pas démarrer ou faire fonctionner le moteur lorsque l'épurateur d'air (le cas échéant) ou le filtre à air (le cas échéant) est enlevé.

#### Lors de l'entretien

- Si la vidange de l'huile est faite par le tube de remplissage du haut, le réservoir de carburant doit être vide. Si le réservoir n'est pas vide, une fuite de carburant peut se produire et pourrait causer un incendie ou une explosion.
- Durant l'entretien, s'il est nécessaire d'incliner l'appareil, s'assurer que le réservoir de carburant, si monté sur le moteur, est vide et que le côté bougie se trouve en haut. Si le réservoir de carburant n'est pas vide, une fuite peut se produire et pourrait causer un incendie ou une explosion.

- Examiner régulièrement les conduites de carburant, le réservoir de carburant, le bouchon de carburant et les raccords pour détecter toute fissure ou fuite. Remplacer les pièces endommagées.
- Ne pas modifier le ressort du régulateur, la tringlerie ni aucune autre pièce pour augmenter le régime du moteur.
- Ne pas frapper le volant-moteur avec un marteau ni un objet dur. Cela pourrait se traduire par une défaillance du volant-moteur durant le fonctionnement.
- Les pièces de rechange doivent être de la même conception et installées dans la même position que les pièces d'origine. D'autres pièces pourraient causer des dommages ou une blessure.

#### Lors du changement d'emplacement de l'équipement

- S'assurer que le réservoir de carburant est VIDE et que le robinet d'arrêt de carburant est à la position FERMÉ.

#### Lorsque le carburant ou l'équipement est entreposé avec du carburant dans le réservoir de carburant

- Puisque les veilleuses et autres sources d'allumage peuvent causer des explosions, garder le carburant ou l'équipement loin des fournaises, des poêles, des chauffe-eaux ou autres appareils ayant des veilleuses.



**AVERTISSEMENT**  
Le carburant et ses vapeurs sont inflammables et explosives. Un incendie ou une explosion pourrait causer des brûlures graves voire la mort.

#### Le démarrage du moteur produit des étincelles qui pourraient entraîner un incendie ou une explosion.

- S'il y a une fuite de gaz naturel ou PL dans l'endroit où vous êtes, ne pas démarrer le moteur.
- Ne pas utiliser de fluides sous pression car les vapeurs sont inflammables.



**AVERTISSEMENT**  
**RISQUE LIÉ AUX GAZ TOXIQUES.** Les gaz d'échappement du moteur contiennent du monoxyde de carbone, un gaz toxique pouvant provoquer la mort en quelques minutes. Même si vous ne sentez pas de vapeurs d'échappement, vous pourriez quand même être exposé(e) au dangereux gaz de monoxyde de carbone. Si vous vous sentez malade, étourdi ou faible en utilisant ce produit, sortez au grand air IMMÉDIATEMENT. Voir un médecin. Vous pourriez être intoxiqué(e) par le monoxyde de carbone.

- Le gaz de monoxyde de carbone peut s'accumuler dans les espaces occupés. Pour réduire le risque d'accumulation de gaz de monoxyde de carbone, utiliser ce produit UNIQUEMENT à l'extérieur et à l'écart des fenêtres, portes et événements.
- Installer des avertisseurs de monoxyde de carbone fonctionnant à piles ou alimentés par câble avec batterie de secours, conformément aux directives du fabricant. Les détecteurs de fumée ne peuvent pas détecter le monoxyde de carbone.
- NE PAS utiliser ce produit dans les maisons, garages, sous-sol, vides sanitaires, ou autres espaces partiellement clos, même si des ventilateurs sont utilisés ou des portes et fenêtres sont laissées ouvertes pour de la ventilation. Après l'utilisation de ce produit, le monoxyde de carbone peut rapidement s'accumuler dans ces espaces et y rester pendant des heures.
- TOUJOURS mettre ce produit dans le sens du vent et diriger l'échappement du moteur à l'opposé des espaces occupés.



**AVERTISSEMENT**  
Une rétraction rapide du cordon du démarreur (effet de rebond) a pour effet de tirer votre main et votre bras en direction du moteur plus rapidement qu'il n'est possible de le lâcher, ce qui pourrait provoquer des fêlures, des fractures osseuses, des contusions ou des entorses.

- Pour empêcher les rebonds lors du démarrage du moteur, tirer le cordon du démarreur lentement jusqu'à ce qu'une résistance soit ressentie, puis tirer rapidement.
- Avant de démarrer le moteur, débrancher ou retirer tout équipement et charge externe.
- S'assurer que les accessoires directement accouplés à la machine tels que, sans toutefois s'y limiter, les lames, roues de pompe, poulies et roues dentées, sont fixés de façon sécuritaire.



#### AVERTISSEMENT

Les pièces rotatives peuvent enrouler les mains, les pieds, les cheveux, les vêtements ou les accessoires et entraîner une amputation traumatique ou une lacération.

- Faire fonctionner la machine avec les gardes correctement installés.
- Tenir les mains et les pieds à l'écart des lames rotatives.
- Enlever les bijoux et s'assurer que les cheveux longs sont éloignés de toutes les pièces rotatives.
- Ne pas porter de vêtements amples ou d'articles qui pourraient se prendre dans la machine.



#### AVERTISSEMENT

Lors de la mise en marche, le moteur et le silencieux deviennent chauds. Si vous touchez un moteur chaud, des brûlures thermiques peuvent survenir.

Les matières combustibles telles que les feuilles, le gazon et les broussailles, peuvent s'enflammer.

- Avant de toucher le moteur ou le silencieux, arrêter le moteur et attendre deux (2) minutes. S'assurer que le moteur et le silencieux peuvent être touchés sans risque.
- Enlever les débris se trouvant à proximité du silencieux et du moteur.

L'utilisation ou le fonctionnement du moteur sur des terrains forestiers, broussailleux ou herbeux constituent une violation de la Section 4442 du Code des ressources publiques de Californie (California Public Resource Code), à moins que le système d'échappement ne soit équipé d'un pare-étincelles, comme le définit la Section 4442, maintenu en bon état de marche. D'autres États ou juridictions fédérales peuvent avoir des lois similaires; consulter le Règlement fédéral 36 CFR, section 261.52. Communiquez avec le fabricant, le détaillant ou le revendeur d'origine de l'équipement pour obtenir un pare-étincelles conçu pour le système d'échappement installé sur ce moteur.



#### AVERTISSEMENT

Une étincelle de moteur accidentelle peut causer un choc électrique ou une explosion provoquant un étranglement, une amputation traumatique ou une lacération.

#### Avant de faire des ajustements ou des réparations :

- Débrancher tous les câbles de bougie et les garder à l'écart des bougies.
- Débrancher le câble de batterie à la borne négative de la batterie (uniquement sur les moteurs avec démarrage électrique).
- Utiliser uniquement les outils appropriés.

#### Quand vous vérifiez s'il y a étincelle :

- Utiliser un vérificateur de bougies d'allumage approuvé.
- Ne pas vérifier s'il y a étincelle lorsque la bougie est enlevée.



#### AVERTISSEMENT

Les vapeurs de carburant sont inflammables et explosives. Un incendie ou une explosion pourrait causer des brûlures graves voire la mort.

#### S'il y a odeur de gaz

- Ne pas démarrer le moteur.
- Ne pas mettre en marche les commutateurs électriques.
- Ne pas se servir d'un téléphone à proximité.
- Évacuez la zone.
- Contacter le fournisseur de gaz ou le service d'incendie.

## Caractéristiques et commandes









### Commandes du moteur

Comparer les lettres de la Figure 1 et 2 aux commandes du moteur dans la liste qui suit :

- Numéros d'identification du moteur **Modèle - Type - Code**
- Bougie
- Filtre à air
- Jauge
- Ouverture de remplissage d'huile
- Filtre à huile
- Bouchon de vidange d'huile
- Captur de pression d'huile

- I. Grille d'entrée d'air
- J. Démarreur électrique
- K. Solénoïde du démarreur
- L. Régulateur/correcteur
- M. Pompe à carburant
- N. Filtre de carburant (si installé)
- O. Refroidisseur d'huile (le cas échéant)

## Symboles de commande du moteur et significations

 Vitesse du moteur – RAPIDE	 Vitesse du moteur – LENT
 Vitesse du moteur – ARRÊT	 MARCHE - ARRÊT
 Démarrage du moteur Étrangleur FERMÉ	 Démarrage du moteur Étrangleur OUVERT
 Bouchon du réservoir de carburant Robinet d'alimentation de carburant OUVERT	 Robinet d'alimentation de carburant FERMÉ

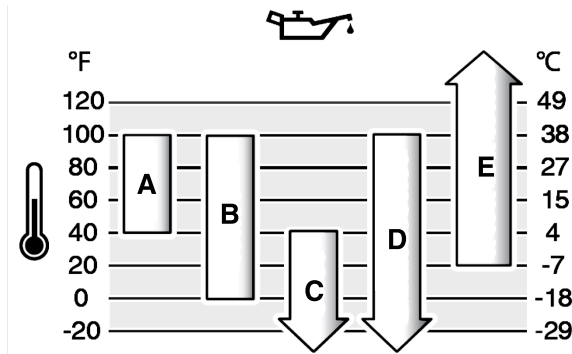
## Fonctionnement

### Recommandations relatives à l'huile

**Volume maximal d'huile :** Se reporter à la section *Spécifications*.

Nous recommandons l'utilisation d'huiles certifiées par garantie Briggs & Stratton® pour les meilleures performances. D'autres huiles détergentes de haute qualité sont acceptables si classées pour service SF, SG, SH, SJ ou supérieure. Ne pas utiliser d'additifs spéciaux.

Utiliser le tableau pour sélectionner la meilleure viscosité pour la plage de températures extérieures prévues. Les moteurs sur la plupart des équipements motorisés d'extérieur fonctionnent bien avec l'huile synthétique 5W-30. Pour l'équipement fonctionnant à haute température, l'huile synthétique 15W-50 de Vanguard® offre la meilleure protection.



<b>A</b>	<b>SAE 30</b> - En dessous de 40 °F (4 °C), l'utilisation de SAE 30 causera une difficulté de mise en marche.
<b>B</b>	<b>10W-30</b> - Au-dessus de 80 °F (27 °C), l'utilisation de 10W-30 peut causer une augmentation de la consommation d'huile. Vérifier régulièrement le niveau d'huile.
<b>C</b>	<b>5W-30</b>
<b>D</b>	<b>Synthétique 5W-30</b>
<b>E</b>	<b>Synthétique 15W-50 de Vanguard®</b>

### Vérifier le niveau d'huile.

**Avant la vérification et l'ajout d'huile**

- S'assurer que la machine est nivelée.
- Débarrasser de tout débris la zone de remplissage d'huile.
- Consulter la section *Spécifications* pour le volume maximal d'huile.

### AVIS

Ce moteur a été livré par Briggs & Stratton sans huile. Les fabricants d'équipement ou concessionnaires pourraient avoir ajouté de l'huile au moteur. Avant de démarrer le moteur pour la première fois, s'assurer que l'huile est au niveau approprié. Ajouter de l'huile, conformément aux instructions dans le présent manuel. Si le moteur est démarré sans huile, des dommages se produiront et le moteur ne sera pas réparé aux termes de la garantie.

1. Retirer la jauge à huile (A, Figure 3) et l'essuyer avec un chiffon.
2. Replacer et serrer le bouchon-jauge (A, figure 3).
3. Sortir la jauge et vérifier le niveau d'huile. Confirmer que le niveau d'huile est au-dessus de la marque du haut de la jauge (B, figure 3).
4. Si le niveau d'huile est bas, verser l'huile lentement dans le tube de remplissage du moteur (C, figure 3). Ne pas ajouter trop d'huile.
5. Attendre une minute, puis vérifier à nouveau le niveau d'huile. S'assurer que le niveau d'huile est approprié.
6. Replacer et serrer le bouchon-jauge (A, figure 3).

### Système de protection pour le bas niveau d'huile (si installé)

Un détecteur de niveau bas d'huile est installé sur certains moteurs. Si le niveau d'huile est bas, le détecteur affichera un voyant d'avertissement ou arrêtera le moteur. Arrêter le moteur et suivre les étapes ci-après avant de démarrer le moteur.

- S'assurer que la machine est de niveau.
- Vérifier l'huile. Consulter la section *Vérifier le niveau d'huile*.
- Si le niveau d'huile est bas, ajouter la quantité d'huile appropriée. Démarrer le moteur et s'assurer que le voyant d'avertissement (si installé) ne s'allume pas.
- Si le niveau d'huile n'est pas bas, ne pas démarrer le moteur. Contacter un détaillant autorisé de service de Briggs & Stratton pour corriger le problème d'huile.

### Recommandations de carburant

**Le carburant doit répondre aux critères suivants :**

- Essence sans plomb neuve et propre.
- Au minimum 87 octanes/87 AKI (91 RON). Utilisation en haute altitude, voir ci-dessous.
- De l'essence avec jusqu'à 10 % d'éthanol (alco-essence) est permise.

### AVIS

Ne pas utiliser d'essence non approuvée telle que E15 et E85. Ne pas mélanger de l'huile avec de l'essence ni modifier le moteur afin de pouvoir utiliser des carburants alternatifs. L'utilisation de carburants non approuvés pourrait endommager les composants du moteur, qui ne seront pas réparés aux termes de la garantie.

Pour protéger le système de carburant de la gomme et de la corrosion, mélanger un stabilisateur de carburant sans alcool et un traitement à base d'éthanol dans le carburant. Consulter la section *Entreposage*. Tous les carburants ne sont pas identiques. Si des problèmes de démarrage ou de performance se produisent, changer de fournisseur ou de marque de carburant. Ce moteur est certifié pour fonctionner à l'essence. Le système de contrôle des émissions pour les moteurs à carburateur est EM (Modifications du moteur). Le système de contrôle des émissions pour les moteurs à système d'injection électronique est ECM (module de gestion du moteur), MPI (injection multiport), et, le cas échéant, O2S (capteur d'oxygène).

### Haute altitude

Aux altitudes supérieures à 5 000 pieds (1 524 mètres), du carburant à octane minimum de 85/85 AKI (89 RON) est permis.

Pour les moteurs carburés, un réglage pour les hautes altitudes est requis pour maintenir la performance. Faire fonctionner le moteur sans ce réglage donnera lieu à une performance réduite, une consommation de carburant supérieure et une augmentation des émissions. Consulter un détaillant autorisé de service Briggs & Stratton pour avoir des informations sur les ajustements de haute altitude. Il n'est pas recommandé de faire fonctionner le moteur à une altitude inférieure à 2 500 pieds (762 mètres) avec l'ajustement de haute altitude.

Pour les moteurs à système d'injection de carburant électronique (EFI), aucun ajustement de haute altitude est nécessaire.



## Ajouter le carburant



### AVERTISSEMENT

Le carburant et ses vapeurs sont inflammables et explosives. Un incendie ou une explosion pourrait causer des brûlures graves voire la mort.

#### Lors de l'ajout de carburant

- Arrêter le moteur. Lorsque vous retirez le bouchon de carburant, attendre au moins deux (2) minutes pour s'assurer que le moteur est froid.
  - Remplir le réservoir de carburant à l'extérieur ou à un endroit avec une bonne circulation d'air.
  - Ne pas mettre trop de carburant dans le réservoir. Pour l'expansion du carburant, ne pas remplir au-dessus du goulot du réservoir de carburant.
  - Garder le carburant loin des étincelles, des flammes nues, des veilleuses, de la chaleur et des autres sources d'inflammation.
  - Examiner régulièrement les conduites de carburant, le réservoir de carburant, le bouchon de carburant et les raccords pour détecter toute fissure ou fuite. Remplacer les pièces endommagées.
  - Si le carburant se renverse, attendre jusqu'à ce qu'il sèche avant de démarrer le moteur.
1. Nettoyer la zone autour du bouchon de réservoir en enlevant toute la poussière et les débris. Retirer le bouchon de carburant.
  2. Remplir le réservoir de carburant (A, Figure 4) de carburant. Puisque le carburant prendra de l'expansion, ne pas remplir au-dessus de la base du col du réservoir de carburant (B).
  3. Remplacer le bouchon du réservoir de carburant.

## Démarrage et arrêt du moteur



### AVERTISSEMENT

Une rétraction rapide du cordon du démarreur (effet de rebond) a pour effet de tirer votre main et votre bras en direction du moteur plus rapidement qu'il n'est possible de le lâcher, ce qui pourrait provoquer des fêlures, des fractures osseuses, des contusions ou des entorses.

- Pour empêcher les rebonds lors du démarrage du moteur, tirer le cordon du démarreur lentement jusqu'à ce qu'une résistance soit ressentie, puis tirer rapidement.
- Avant de démarrer le moteur, débrancher ou retirer tout équipement et charge externe.
- S'assurer que les accessoires directement accouplés à la machine tels que, sans toutefois s'y limiter, les lames, roues de pompe, poulies et roues dentées, sont fixés de façon sécuritaire.



### AVERTISSEMENT

Le carburant et ses vapeurs sont inflammables et explosives. Un incendie ou une explosion pourrait causer des brûlures graves voire la mort.

#### Lors du démarrage du moteur

- Veiller à ce que la bougie d'allumage, le silencieux, le bouchon de carburant et le filtre à air (le cas échéant) soient correctement installés.
- Lorsque la bougie d'allumage est enlevée, ne pas mettre le moteur en marche.
- Si le moteur est noyé, régler le étrangleur (le cas échéant) à la position OUVERT ou MARCHE. Déplacer la manette des gaz (le cas échéant) à la position RAPIDE et faire tourner le moteur jusqu'à ce qu'il démarre.
- S'il y a une fuite de gaz naturel ou PL dans l'endroit où vous êtes, ne pas démarrer le moteur.
- Ne pas utiliser de fluides sous pression car les vapeurs sont inflammables.



### AVERTISSEMENT

**RISQUE LIÉ AUX GAZ TOXIQUES.** Les gaz d'échappement du moteur contiennent du monoxyde de carbone, un gaz toxique pouvant provoquer la mort en quelques minutes. Même si vous ne sentez pas de vapeurs d'échappement, vous pourriez quand même être exposé(e) au dangereux gaz de monoxyde de carbone. Si vous vous sentez malade, étourdi ou faible en utilisant ce produit, sortez au grand air IMMÉDIATEMENT. Voir un médecin. Vous pourriez être intoxiqué(e) par le monoxyde de carbone.

- Le gaz de monoxyde de carbone peut s'accumuler dans les espaces occupés. Pour réduire le risque d'accumulation de gaz de monoxyde de carbone, utiliser ce produit UNIQUEMENT à l'extérieur et à l'écart des fenêtres, portes et événements.
- Installer des avertisseurs de monoxyde de carbone fonctionnant à piles ou alimentés par câble avec batterie de secours, conformément aux directives du fabricant. Les détecteurs de fumée ne peuvent pas détecter le monoxyde de carbone.
- NE PAS utiliser ce produit dans les maisons, garages, sous-sol, vides sanitaires, ou autres espaces partiellement clos, même si des ventilateurs sont utilisés ou des portes et fenêtres sont laissées ouvertes pour de la ventilation. Après l'utilisation de ce produit, le monoxyde de carbone peut rapidement s'accumuler dans ces espaces et y rester pendant des heures.
- TOUJOURS mettre ce produit dans le sens du vent et diriger l'échappement du moteur à l'opposé des espaces occupés.

### AVIS

Ce moteur a été livré par Briggs & Stratton sans huile. Les fabricants d'équipement ou concessionnaires pourraient avoir ajouté de l'huile au moteur. Avant de démarrer le moteur pour la première fois, s'assurer que l'huile est au niveau approprié. Ajouter de l'huile, conformément aux instructions dans le présent manuel. Si le moteur est démarré sans huile, des dommages se produiront et le moteur ne sera pas réparé aux termes de la garantie.

#### Types de systèmes de démarrage

Avant de démarrer le moteur, vous devez connaître le type du système de démarrage sur votre moteur. Votre moteur possède un de ces types.

- **Système d'injection électronique (EFI) :** Ce système ne comporte pas d'étrangleur ni d'amorceur.
- **Système d'étrangleur :** Ce type de système dispose d'un étrangleur qui doit être utilisé par temps froid. Certains modèles comportent une commande d'étrangleur, mais d'autres modèles comportent une commande combinée d'étrangleur et de manette des gaz. Il n'utilise pas d'enrichissement de carburant comme moyen d'aide au démarrage.

**REMARQUE :** Votre équipement pourrait être muni de commandes à distance. Pour localiser et utiliser les commandes à distance, consulter le manuel de la machine.

#### Système d'injection de carburant électronique (EFI)

1. Contrôlez le niveau d'huile du moteur. Consulter la section **Vérifier le niveau d'huile**.
2. S'assurer que les commandes d'entraînement de l'équipement, si installées, sont débrayées.
3. Tourner le robinet de carburant (A, Figure 5), si installé, à la position OUVERT.
4. Placer le levier de commande des gaz en position LENT.
5. Mettre le contact (D, Figure 5) en position MARCHE ou DÉMARRER.

**AVIS** Pour prolonger la durée de vie du démarreur, utiliser des cycles de démarrage courts (cinq secondes maximum). Attendre une minute entre les cycles de démarrage.

Si le moteur ne démarre pas après plusieurs 3 ou 4 tentatives, communiquer avec un détaillant local, visiter [vanguardpower.com](http://vanguardpower.com) ou composer le 1-800-999-9333.

#### Système d'étranglement

1. Contrôler le niveau d'huile du moteur. Consulter la section **Vérifier le niveau d'huile**.
2. S'assurer que les commandes d'entraînement de l'équipement, si installées, sont débrayées.
3. Tourner le robinet de carburant (A, Figure 5), si installé, à la position OUVERT.
4. Déplacer la commande de l'accélérateur (B, Figure 5), si installée, à la position RAPIDE.
5. Déplacer le levier de commande d'étranglement (C, figure 5), à la position FERMÉE.

**REMARQUE :** Pour démarrer le moteur dont la conduite d'alimentation de carburant est à sec, plus de révolutions de lancement dans la position étrangleur seront nécessaires. Ceci permettra l'amorçage de la pompe d'alimentation.

6. Mettre le commutateur à clé (D, Figure 5) à la position MARCHE ou DÉMARRER.

- Si le moteur se met en marche puis s'arrête, déplacer la manette de l'étrangleur (C, Figure 5) à la position OUVERT pour démarrer le moteur.

**AVIS** Pour prolonger la durée de vie du démarreur, utiliser des cycles de démarrage courts (cinq secondes maximum). Attendre une minute entre les cycles de démarrage.

- Au fur et à mesure que le moteur se réchauffe, déplacer la commande d'étranglement (C, Figure 5) à la position OUVERT.

**REMARQUE** : Si le moteur ne démarre pas, communiquer avec votre concessionnaire local, ou aller à [vanguardpower.com](http://vanguardpower.com) ou encore composer le 1-800-999-9333 (aux É.-U.).

## Arrêter le moteur



### AVERTISSEMENT

**Le carburant et ses vapeurs sont inflammables et explosives. Un incendie ou une explosion pourrait causer des brûlures graves voire la mort.**

- Ne pas étrangler le carburateur (le cas échéant) pour arrêter le moteur.
- Placer le levier de commande des gaz en position LENT. Mettre le commutateur à clé (D, Figure 6) à la position ARRÊT.
  - Retirer la clé et la conserver dans un endroit sécuritaire hors de la portée des enfants.
  - Après l'arrêt du moteur, tourner le robinet de carburant (A, Figure 6), si installé, à la position FERMÉ.

## Entretien

### Information sur l'entretien



### AVERTISSEMENT

**Le carburant et ses vapeurs sont inflammables et explosives. Un incendie ou une explosion pourrait causer des brûlures graves voire la mort.**

Durant l'entretien, s'il est nécessaire d'incliner l'appareil, s'assurer que le réservoir de carburant, si monté sur le moteur, est vide et que le côté bougie se trouve en haut. Si le réservoir de carburant n'est pas vide, une fuite peut se produire et provoquer un incendie ou une explosion. Si le moteur est incliné dans une différente direction, il ne se mettra pas en marche facilement en raison de la contamination de l'huile ou du carburant du filtre à air ou de la bougie.



### AVERTISSEMENT

**Une étincelle de moteur accidentelle peut causer un choc électrique ou une explosion provoquant un étranglement, une amputation traumatique ou une lacération.**

#### Avant de faire des ajustements ou des réparations :

- Débrancher tous les câbles de bougie et les garder à l'écart des bougies.
- Débrancher le câble de batterie à la borne négative de la batterie (uniquement sur les moteurs avec démarrage électrique).
- Utiliser uniquement les outils appropriés.

#### Quand vous vérifiez s'il y a étincelle :

- Utiliser un vérificateur de bougies d'allumage approuvé.
- Ne pas vérifier s'il y a étincelle lorsque la bougie est enlevée.



### AVERTISSEMENT

Les pièces de rechange doivent être de la même conception et installées dans la même position que les pièces d'origine. D'autres pièces pourraient causer des dommages ou une blessure.

### AVIS

Pour un fonctionnement adéquat, tous les composants utilisés pour fabriquer ce moteur doivent demeurer bien en place.

Consulter un détaillant autorisé de service Briggs & Stratton pour tout entretien et toute réparation du moteur et des pièces de moteur.

## Service de contrôle des émissions

Pour l'entretien, le remplacement ou la réparation des dispositifs et systèmes de contrôle des émissions, communiquer avec un établissement de réparations de moteur hors route ou un technicien d'entretien qualifié. Cependant, pour un service après-vente « gratuit » du contrôle des émissions, le travail doit être effectué par un détaillant autorisé de l'usine. Consulter les énoncés sur le contrôle des émissions.

## Calendrier d'entretien

### Aux intervalles de 8 heures ou quotidiennement

- Vérifier le niveau d'huile moteur.
- Nettoyer la région autour des commandes et du silencieux.

### Aux intervalles de 100 heures ou annuellement

- Remplacer les bougies d'allumage.
- Vidanger l'huile moteur.
- Remplacer le filtre à huile (si installé).
- Service du filtre à air<sup>1</sup>.
- Nettoyer le pré-nettoyant (si installé)<sup>1</sup>.
- Service du système d'échappement.

### Toutes les 250 heures de fonctionnement ou annuellement

- Vérifier le jeu des soupapes. Ajuster si nécessaire.

### Aux intervalles de 400 heures ou annuellement

- Remplacer le filtre à air.
- Remplacer le filtre à carburant.
- Effectuer l'entretien du système de refroidissement par air<sup>1</sup>.
- Nettoyer les ailettes de refroidissement d'huile<sup>1</sup>.

<sup>1</sup> Nettoyer plus souvent dans les conditions poussiéreuses ou lorsque les particules se trouvent dans l'air.

## Système d'injection de carburant électronique (EFI)

Le système EFI répond à la température du moteur, à son régime et à la tension de la batterie pour le démarrage et la période de réchauffement. Il n'y a aucun réglage sur le système. Si des problèmes de démarrage ou de fonctionnement surviennent, consulter un détaillant autorisé de service Briggs & Stratton.

**AVIS** S'assurer de suivre la procédure ci-dessous, sans quoi le système EFI pourrait être endommagé.

- NE PAS démarrer le moteur si les branchements des câbles de la batterie sont desserrés.
- Mettre le contacteur en position ARRÊT avant de débrancher, de retirer ou d'installer la batterie.
- NE PAS démarrer le moteur avec un chargeur à batterie.
- NE PAS débrancher les câbles de la batterie lorsque le moteur fonctionne.
- Pour le raccordement de la batterie, brancher d'abord le câble positif (+) et ensuite le câble négatif (-).
- Pour recharger la batterie, placer le contact à la position ARRÊT et retirer le câble négatif (-) de son raccord.
- NE PAS exposer directement le module de commande électronique à de l'eau.

## Vitesse du carburateur et du moteur

Ne pas faire de réglages au carburateur, au ressort du régulateur, à la tringlerie ou à d'autres pièces pour ajuster la vitesse du moteur. Si des réglages sont nécessaires, consulter un détaillant autorisé de service de Briggs & Stratton pour un entretien.

### AVIS

Le fabricant de l'équipement spécifie la vitesse maximale du moteur, tel qu'installé sur l'équipement. Ne pas dépasser cette vitesse. Si vous n'êtes pas certain(e) de la vitesse maximale de la machine ou de la vitesse à laquelle le moteur est réglé par défaut, communiquer avec un détaillant autorisé de service de Briggs & Stratton pour obtenir de l'aide. Pour un fonctionnement adéquat et sécuritaire de l'équipement, la vitesse du moteur devrait uniquement être ajustée par un technicien d'entretien qualifié.

## Entretien de la bougie d'allumage

Vérifier l'écartement des électrodes (A, Figure 7) avec le calibre du fil (B). Au besoin, définir l'écartement des électrodes. Installer et serrer la bougie au couple correct. Pour les spécifications en matière d'écartement et de couple, voir la section **Spécifications**.

## Entretien du système d'échappement



### AVERTISSEMENT

Lors de la mise en marche, le moteur et le silencieux deviennent chauds. Si vous touchez un moteur chaud, des brûlures thermiques peuvent survenir.

Les matières combustibles telles que les feuilles, le gazon et les broussailles, peuvent s'enflammer.

- Avant de toucher le moteur ou le silencieux, arrêter le moteur et attendre deux (2) minutes. S'assurer que le moteur et le silencieux peuvent être touchés sans risque.
- Enlever les débris se trouvant à proximité du silencieux et du moteur.

L'utilisation ou le fonctionnement du moteur sur des terrains forestiers, broussailleux ou herbeux constitue une violation de la Section 4442 du Code des ressources publiques de Californie (California Public Resource Code), à moins que le système d'échappement ne soit équipé d'un pare-étincelles, comme le définit la Section 4442, maintenu en bon état de marche. D'autres États ou juridictions fédérales peuvent avoir des lois similaires; consulter le Règlement fédéral 36 CFR, section 261.52. Communiquez avec le fabricant, le détaillant ou le revendeur d'origine de l'équipement pour obtenir un pare-étincelles conçu pour le système d'échappement installé sur ce moteur.

Enlever tous débris de la section du silencieux et de la section du cylindre. Recherchez la présence de fissures, de corrosion ou d'autres dommages sur le silencieux. Déposer le déflecteur ou pare-flammes de retour (le cas échéant) et s'assurer qu'il n'y a pas de blocage de dépôts de carbone. Si des dommages sont découverts, installer les pièces de remplacement avant d'utiliser l'équipement.



### AVERTISSEMENT

Les pièces de rechange doivent être de la même conception et installées dans la même position que les pièces d'origine. D'autres pièces pourraient causer des dommages ou une blessure.

## Changement de l'huile à moteur



### AVERTISSEMENT

Le carburant et ses vapeurs sont inflammables et explosives. Un incendie ou une explosion pourrait causer des brûlures graves voire la mort.

Lors de la mise en marche, le moteur et le silencieux deviennent chauds. Si vous touchez un moteur chaud, des brûlures thermiques peuvent survenir.

- Si la vidange de l'huile est faite par le tube de remplissage du haut, le réservoir de carburant doit être vide. Si le réservoir n'est pas vide, une fuite de carburant peut se produire et provoquer un incendie ou une explosion.
- Avant de toucher le moteur ou le silencieux, arrêter le moteur et attendre deux (2) minutes. S'assurer que le moteur et le silencieux peuvent être touchés sans risque.

L'huile vidangée est un produit de résidus dangereux et doit être jetée de la bonne façon. Ne pas la jeter avec les déchets ménagers. Communiquer avec les autorités locales, les centres de services ou le concessionnaire pour connaître les méthodes d'élimination sûres ou les installations de recyclage.

### Vidange d'huile

1. Pendant que le moteur est ARRÊTÉ mais encore chaud, débrancher le(s) câble(s) de la ou des bougies (D, Figure 8) et le(s) tenir à l'écart de la ou des bougies (E).
2. Retirer le bouchon-jauge (A, Figure 9).
3. Déposer le bouchon de vidange d'huile (F, Figure 10). Vidanger l'huile dans un récipient approuvé.
4. Installer et serrer le bouchon de vidange d'huile (F, Figure 10).

### Changer le filtre à huile

1. Vidanger l'huile du moteur. Consulter la section **Vidanger l'huile**.
2. Retirer le filtre à huile (H, figure 11) et le jeter de façon appropriée.
3. Avant d'installer le nouveau filtre à huile, lubrifier légèrement le joint d'étanchéité du filtre à l'huile avec de l'huile propre.
4. Installer le filtre à huile à la main jusqu'à ce que le joint d'étanchéité touche l'adaptateur de filtre à huile, puis serrer le filtre à huile de 1/2 à 3/4 de tour.
5. Ajouter de l'huile. Consulter la section **Ajouter de l'huile**.
6. Démarrer et faire fonctionner le moteur. Vérifier s'il y a des fuites d'huile lorsque le moteur est chaud.
7. Arrêter le moteur. Confirmer que le niveau d'huile est au-dessus de la marque du haut de la jauge. Consulter la section **Ajouter de l'huile**.

### Ajouter de l'huile

- S'assurer que le moteur est de niveau.

- Débarrasser de tout débris la zone de remplissage d'huile.
- Consulter la section **Spécifications** pour le volume maximal d'huile.

1. Retirer le bouchon-jauge (A, Figure 3). Essuyer l'huile avec un chiffon propre.
2. Ajouter l'huile lentement dans le tube de remplissage (C, Figure 3). **Ne pas verser trop d'huile dans le remplissage d'huile du moteur.** Attendre une minute, puis vérifier le niveau d'huile.

**REMARQUE :** Ne pas ajouter d'huile au niveau de la vidange d'huile rapide (si équipé).

3. Replacer et serrer le bouchon-jauge (A, figure 3).
4. Sortir la jauge et vérifier le niveau d'huile. Le niveau d'huile adéquat est au-dessus de la marque du haut de la jauge (B, Figure 3).
5. Replacer et serrer le bouchon-jauge (A, figure 3).
6. Brancher le câble des bougies aux bougies. Voir la section **Vidanger l'huile**.

## Entretien du filtre à air



### AVERTISSEMENT

Les vapeurs de carburant sont inflammables et explosives. Un incendie ou une explosion pourrait causer des brûlures graves voire la mort.

- Ne jamais démarrer et faire fonctionner le moteur lorsque l'assemblage de filtre à air (le cas échéant) ou le filtre à air (le cas échéant) est retiré.

### AVIS

Ne pas utiliser d'air comprimé ni de solvant pour nettoyer le filtre. L'air sous pression pourrait endommager le filtre et les solvants peuvent dissoudre le filtre.

Pour les exigences de service, voir le **Calendrier d'entretien**.

Le système de filtration d'air utilise un filtre de papier et un pré-nettoyant optionnel. Le pré-nettoyant peut être nettoyé et réutilisé. Certains modèles peuvent également avoir un pré-nettoyant en option qui peut être nettoyé et utilisé à nouveau.

1. Retirer les attaches (A, Figure 12).
2. Enlever le couvercle (B, figure 12).
3. Retirer les attaches (C, Figure 12), et l'élément de retenue (D).
4. Déposer le filtre à air (F, Figure 12).
5. Pour faire tomber les débris, tapoter doucement le filtre à air (F, Figure 12) sur une surface dure. Si le filtre à air est sale, le remplacer par un nouveau filtre.
6. Retirer le pré-nettoyant (E, Figure 12, le cas échéant) du filtre à air (F).
7. Nettoyer le pré-nettoyant (E, Figure 12) avec du détergent liquide et de l'eau. Laisser le préfiltre sécher complètement à l'air. **NE PAS** lubrifier le pré-nettoyant.
8. Assembler le pré-nettoyant sec (E, Figure 12) au filtre à air (F).
9. Installer le filtre à air (E, Figure 12) à l'aide de la pièce de retenue (D) et de la ou des attache(s) (C).
10. Installer le couvercle (B, Figure 12) et le fixer à l'aide des attaches(A). S'assurer que les attaches sont serrées.

## Entretien du système de carburant



### AVERTISSEMENT

Le carburant et ses vapeurs sont inflammables et explosives. Un incendie ou une explosion pourrait causer des brûlures graves voire la mort.

- Garder le carburant loin des étincelles, des flammes nues, des veilleuses, de la chaleur et des autres sources d'inflammation.
- Examiner régulièrement les conduites de carburant, le réservoir de carburant, le bouchon de carburant et les raccords pour détecter toute fissure ou fuite. Remplacer les pièces endommagées.
- Si le carburant se renverse, attendre jusqu'à ce qu'il sèche avant de démarrer le moteur.

### Filtre de carburant, si installé

1. Avant de remplacer le filtre à carburant (A, Figure 13), vidanger le réservoir de carburant ou fermer le robinet d'arrêt de carburant. Si le réservoir de carburant n'est pas vidangé, une fuite de carburant peut survenir et causer un incendie ou une explosion.
2. Presser les languettes (B, Figure 13) sur les brides (C) avec des pinces. Glisser les brides en retrait du filtre à carburant (A).
3. Tourner et retirer les conduites de carburant (D, Figure 13) du filtre à carburant.
4. Examiner les conduites de carburant (D, Figure 13) pour toute présence de fissures ou fuites. Si nécessaire, remplacer les conduites de carburant.
5. Changer le filtre à carburant (A, Figure 13).
6. Fixer les conduites de carburant (D, Figure 13) avec des brides (C).

## Entretien du système de refroidissement



### AVERTISSEMENT

Lors de la mise en marche, le moteur et le silencieux deviennent chauds. Si vous touchez un moteur chaud, des brûlures thermiques peuvent survenir.

Les débris inflammables tels que les feuilles, le gazon et les broussailles, peuvent s'enflammer.

- Avant de toucher le moteur ou le silencieux, arrêter le moteur et attendre deux (2) minutes. S'assurer que le moteur et le silencieux peuvent être touchés sans risque.
- Enlever les débris se trouvant à proximité du silencieux et du moteur.

### AVIS

Ne pas nettoyer le moteur sous eau. L'eau pourrait contaminer le système de carburant. Servez-vous d'une brosse ou d'un chiffon sec.

Ce moteur est refroidi à l'air. La saleté ou les débris peuvent empêcher la circulation d'air et causer la surchauffe du moteur, entraînant un rendement insatisfaisant et une fin de vie précoce du moteur.

1. Se servir d'une brosse ou d'un chiffon sec pour dégager les débris de la grille d'entrée d'air.
2. Toujours garder la tringlerie, le ressort et les commandes propres.
3. Garder la zone autour et derrière le silencieux, le cas échéant, libre de tout débris inflammable.
4. S'assurer que les ailettes de refroidissement d'huile, le cas échéant, sont propres.

Après une certaine période, les débris peuvent s'accumuler dans les ailettes de refroidissement du cylindre et causer la surchauffe du moteur. Ce matériel non désiré ne peut pas être enlevé sans un désassemblage partiel du moteur. Faire inspecter et nettoyer le système de refroidissement par un détaillant autorisé de service de Briggs & Stratton, selon le **Calendrier d'entretien** recommandé.

## Entreposage Système de carburant

Voir la figure : 14.



### AVERTISSEMENT

Le carburant et ses vapeurs sont inflammables et explosives. Un incendie ou une explosion pourrait causer des brûlures graves voire la mort.

### Entreposage de carburant

- Puisque les veilleuses et autres sources d'allumage peuvent causer des explosions, garder le carburant ou l'équipement loin des fournaies, des poêles, des chauffe-eaux ou autres appareils ayant des veilleuses.

Maintenir le moteur au niveau (position de fonctionnement normal). Remplir le réservoir de carburant (A, Figure 14) avec du carburant. Pour prendre en compte l'expansion du carburant, ne pas remplir le réservoir de carburant au-dessus de la base du col (B).

Le carburant peut se dégrader lorsqu'il est conservé dans un contenant pendant plus de 30 jours. On recommande l'utilisation d'un stabilisateur de carburant sans alcool et d'un traitement à base d'éthanol dans le contenant d'entreposage pour éviter la dégradation du carburant et garder sa fraîcheur.

Au moment de remplir le réservoir de carburant, ajouter un stabilisateur de carburant sans alcool, conformément aux instructions du fabricant. Si le carburant dans le moteur n'a pas été traité avec un stabilisateur de carburant, il doit être vidangé dans un récipient approuvé. Faire fonctionner le moteur jusqu'à ce qu'il n'y ait plus de carburant.

## Huile à moteur

Pendant que le moteur est encore chaud, remplacer l'huile. Consulter la section **Changer l'huile moteur**.

## Dépannage

### Aide

Pour obtenir de l'aide, communiquer avec un détaillant local ou visiter **BRIGGSandSTRATTON.COM** ou composer **1-800-444-7774** (aux USA).

## Spécifications

### Spécifications et pièces de remplacement

Modèles : 613700, 61E900, 61G900	
Cylindrée	60.60 po <sup>3</sup> (993 cc)
Alésage	3.366 po (85,5 mm)
Course	3.406 po (86,5 mm)

### Modèles : 613700, 61E900, 61G900

Volume d'huile	78 - 80 oz (2,3 - 2,4 l)
Écartement des électrodes de bougie	.030 po (.76 mm)
Couple de serrage de bougie	180 lb-po (20 Nm)
Entrefre armature/carcasse	.005 - .008 po (.13 - .20 mm)
Jeu de soupape d'admission	.004 - .006 po (.10 - .15 mm)
Jeu de soupape d'échappement	.007 - .009 po (.18 - .23 mm)

### Pièces de rechange – Modèles : 613700, 61E900, 61G900

Pièce de rechange	Numéro de pièce
Filtre à air de papier	692519
Pré-nettoyant	692520
Huile-- SAE 30	100028
Filtre à huile	842921
Filtre à carburant	695666
Bougie à résistance	491055S
Bougie platine à grande longévité	5066K
Clé pour bougie d'allumage	19576S
Vérificateur d'allumage	84003327

La puissance du moteur sera réduite de 3,5 % pour chaque 1 000 pieds (300 mètres) au-dessus du niveau de la mer, et de 1 % pour chaque 10 °F (5,6 °C) au-dessus de 77 °F (25 °C). Le moteur fonctionnera normalement jusqu'à 15° d'inclinaison. Consulter le manuel d'utilisation de l'équipement pour connaître les limites d'utilisation sécuritaire sur les pentes.

## Puissance nominale

Les valeurs brutes de puissance nominale de chaque modèle de moteur à essence sont indiquées conformément au code J1940 Procédure d'évaluation de la puissance et du couple nominaux des petits moteurs de la SAE (Society of Automotive Engineers) et sont évaluées conformément à SAE J1995. Les valeurs de couple sont dérivées à 2 600 tr/min pour les moteurs avec « tr/min » sur l'étiquette et 3 060 tr/min pour tous les autres; les valeurs de puissance sont dérivées à 3 600 tr/min. Les courbes de puissance brute peuvent être consultées au [www.BRIGGSandSTRATTON.COM](http://www.BRIGGSandSTRATTON.COM). Les valeurs nettes de puissance sont prises alors que l'échappement et le filtre à air sont installés alors que les valeurs brutes de puissance sont mesurées sans ces accessoires. La puissance brute réelle du moteur sera supérieure à la puissance nette du moteur et sera affectée, entre autres, par les conditions de fonctionnement ambiantes ainsi que par les différences entre moteurs. Étant donné la vaste gamme de produits sur lesquels les moteurs sont installés, le moteur à carburant peut ne pas développer la puissance nominale brute lorsqu'il est utilisé pour entraîner une pièce d'appareil donnée. Cette différence est causée par différents facteurs dont, mais sans s'y limiter, la variété des composants du moteur (filtre à air, échappement, chargement, refroidissement, carburateur, pompe à carburant, etc.), les limites de l'appareil, les conditions de fonctionnement ambiantes (température, humidité, altitude) et les différences entre les moteurs. En raison des limites de fabrication et de capacité, Briggs & Stratton peut substituer à ce moteur, un moteur d'une valeur de puissance plus élevée.

## Garantie

### Garantie sur les moteurs Briggs & Stratton®

En vigueur à compter d'août 2022

#### Garantie limitée

Briggs & Stratton garantit que, sans frais, pendant la période de couverture de la garantie précisée ci-dessous, elle réparera ou remplacera par une pièce nouvelle, remise à neuf ou reconstruite, et ce, à sa seule discrétion, toute pièce défectueuse comportant un vice de matériau ou un défaut de fabrication ou les deux. En vertu de la présente garantie, les frais de transport du produit soumis pour réparation ou remplacement sont à la charge de l'acheteur. La présente garantie sera en vigueur et soumise aux périodes et conditions stipulées ci-dessous. Pour obtenir des services en vertu de la garantie, veuillez consulter notre outil de recherche d'un détaillant sur [BRIGGSandSTRATTON.COM](http://BRIGGSandSTRATTON.COM), afin de trouver un détaillant autorisé de service dans votre région. L'acheteur doit communiquer avec le détaillant autorisé de service et mettre ensuite le produit à disposition du détaillant autorisé de service pour inspection et essai.

Il n'existe aucune autre garantie expresse. Les garanties implicites, incluant celles de qualité marchande et d'adaptation à un usage particulier, sont limitées à une période d'un an à partir de la date d'achat ou jusqu'à la limite prescrite par la loi. Toute garantie implicite est exclue. La responsabilité pour dommages accessoires ou indirects est exclue dans la mesure où une telle exclusion est permise par la loi. Certains états/provinces ou pays n'autorisent aucune restriction sur la durée d'une garantie implicite, et certains états/provinces ou pays n'autorisent pas l'exclusion ou la limitation des dommages consécutifs ou indirects. Par conséquent,

les restrictions et exclusions décrites ci-dessus pourraient ne pas s'appliquer dans votre cas. La présente garantie vous donne des droits particuliers et vous pourriez également avoir d'autres droits qui varient d'un État, d'une province ou d'un pays à un autre.

<b>Modalités standard de la garantie<sup>1, 2</sup></b>	
<b>Vanguard®, Série commerciale</b>	
Usage des consommateurs – 36 mois	
Usage commercial – 36 mois	
<b>Série XR</b>	
Usage des consommateurs – 24 mois	
Usage commercial – 24 mois	
<b>Tous les autres moteurs comportant une chemise de cylindre en fonte Dura-Bore™</b>	
Usage des consommateurs – 24 mois	
Usage commercial – 12 mois	
<b>Tous les autres moteurs</b>	
Usage des consommateurs – 24 mois	
Usage commercial – 3 mois	

<sup>1</sup> Ce sont nos modalités de garantie standard, mais de temps à autre, une couverture de garantie supplémentaire non déterminée au moment de cette publication pourrait être offerte. Pour la présentation des modalités actuelles de la garantie pour votre moteur, naviguez à BRIGGSandSTRATTON.COM ou communiquez avec votre détaillant autorisé de service Briggs & Stratton.

<sup>2</sup> Aucune garantie n'est offerte pour les moteurs utilisés sur un équipement de remplacement de service utilitaire, sur les génératrices de secours utilisées à des fins commerciales, sur des véhicules utilitaires dépassant les 25 m/h, ou les moteurs utilisés dans les courses ou dans les camions commerciaux ou de location.

\* En Australie – Nos produits sont couverts par des garanties qui ne peuvent pas être exclues en vertu de la loi australienne de protection du consommateur (Australian Consumer Law). Vous avez droit à un remplacement ou à un remboursement en cas de défaillance majeure et en compensation pour toute perte ou tout dommage raisonnablement prévisible. Vous avez également droit à la réparation ou au remplacement des produits si ceux-ci ne sont pas de qualité acceptable et que la défaillance n'équivaut pas à une défaillance majeure. Pour une demande de compensation sous garantie, vous pouvez rechercher le détaillant autorisé de service le plus près avec notre outil de recherche d'un détaillant sur BRIGGSandSTRATTON.COM, composer le 1300 274 447, envoyer un courriel à : salesenquiries@briggsandstratton.com.au, ou nous écrire par la poste à : Briggs & Stratton Australia Pty Ltd, 1 Moorebank Avenue, Moorebank, NSW, Australia, 2170.

La période de garantie débute à la date d'achat par le premier acheteur au détail ou par le premier utilisateur commercial final, et se prolonge pour la durée stipulée dans le tableau ci-dessus. « Usage des consommateurs » signifie que le produit sera utilisé par un consommateur au détail dans un but privé. « Usage commercial » indique toutes les autres utilisations possibles, y compris commerciales, génératrices de revenus ou locatives. Aux fins de la présente garantie, dès qu'un moteur a été utilisé commercialement une fois, il est par la suite considéré comme étant d'usage à des fins commerciales.

**Pour exercer la garantie sur tout produit fabriqué par Briggs & Stratton, il n'est pas nécessaire de l'enregistrer. Veuillez garder le reçu de votre achat. Si vous ne pouvez pas fournir la preuve de la date initiale de l'achat au moment de faire une demande se rapportant à la garantie, la date de fabrication du produit sera utilisée pour déterminer la période de garantie.**

#### À propos de votre garantie

La présente garantie limitée couvre le matériel ou main-d'œuvre associé au moteur ou un problème de main-d'œuvre seulement, mais non un remplacement ou remboursement de la machine entraînée par le moteur. La présente garantie ne couvre pas l'entretien régulier, les mises au point, réglages ou usure normale. Également, la garantie ne s'appliquera pas si le moteur a été trafiqué ou modifié, ou si son numéro de série a été enlevé ou effacé. La présente garantie ne couvre pas les dommages au moteur ou défauts de performance causés par :

- L'utilisation de pièces qui ne sont pas Briggs & Stratton
- Le fonctionnement du moteur sans avoir suffisamment d'huile ou ayant de l'huile contaminée ou de grade inadéquat;
- L'utilisation de carburant contaminé ou éventé, de l'essence formulée avec de l'éthanol à plus de 10 %, ou l'utilisation de variante de carburant comme le gaz de pétrole liquéfié ou le gaz naturel sur un moteur non conçu et produit à l'origine par Briggs & Stratton pour fonctionner avec de tels carburants;
- De la saleté introduite dans le moteur pour cause d'entretien inadéquat du filtre à air ou de son remontage incorrect;
- Frapper un objet avec la lame d'une tondeuse à gazon rotative, ou adaptateur de lame de coupe, turbine ou autre dispositif accouplé au vilebrequin desserré ou mal installé ou courroie trop serrée;

6. Pièces ou ensembles accessoires comme embrayage, boîte de vitesse, commande d'équipement, etc. non fournis par Briggs & Stratton;
7. Surchauffe pour cause d'accumulation d'herbe, saleté et débris ou nids de vermine qui obstruent les ailettes de refroidissement ou l'aire du volant, ou faire fonctionner le moteur sans aération adéquate;
8. Vibration excessive due à une survitesse, un montant de moteur desserré, une lame ou turbine desserrée ou déséquilibrée, ou un mauvais accouplement de composants sur le vilebrequin;
9. Abus d'utilisation, ou manque d'entretien régulier, mauvaise manipulation de transport et d'entreposage ou mauvais montage du moteur.

Les services liés à la garantie sont uniquement disponibles par l'entremise d'un détaillant autorisé de service Briggs & Stratton. Localiser le détaillant autorisé de service le plus près avec notre outil de recherche d'un détaillant sur le site BRIGGSandSTRATTON.COM ou en composant le 1-800-444-7774 (aux États-Unis).

80114782 (révision A)

## Garantie d'émissions Briggs & Stratton

**Énoncé de garantie de contrôle des émissions de l'EPA des États-Unis et de Briggs & Stratton, LLC - Vos droits et obligations en vertu de la garantie Pour les modèles de moteurs marins Briggs & Stratton avec compléments désignés « J » (N° de représentation de Modèle - Type - Garniture : xxxxxx xxxx Jx)**

L'EPA des États-Unis et Briggs & Stratton (B&S) ont le plaisir d'expliquer la garantie du système de contrôle des émissions de votre moteur années modèles 2022-2024. Aux États-Unis, les nouveaux petits moteurs hors route et les gros moteurs à explosion de cylindrée moindre ou égale à 1,0 litre doivent être conçus, fabriqués et équipés afin de respecter les normes strictes antismog. B&S doit garantir le système de contrôle des émissions de ce moteur pendant la durée indiquée ci-dessous sous réserve de l'absence d'abus, de négligence ou de mauvais entretien de votre moteur entraînant la panne du système de contrôle des émissions.

Votre système de contrôle des émissions peut comprendre des pièces comme le carburateur ou le système d'injection de carburant, le système d'allumage, le convertisseur catalytique, les réservoirs de carburant, les conduites de carburant (pour le carburant liquide et les vapeurs de carburant), les capuchons, les valves, les cartouches, les filtres, les brides et autres composants pertinents. Il peut aussi y avoir des tuyaux, des courroies, des connecteurs et d'autres dispositifs reliés aux émissions.

Dans le cas d'un défaut couvert par la garantie, B&S réparera votre petit moteur hors route/votre matériel sans frais et ce, incluant le diagnostic, les pièces et la main d'œuvre.

#### Couverture de garantie du fabricant :

Le système de contrôle des émissions sur votre moteur marin est accompagné d'une garantie de cinq (5) ans ou 175 heures, le premier des deux prévalant. Si une pièce reliée aux émissions de votre moteur est défectueuse, B&S la réparera ou la remplacera.

Le système de contrôle de l'échappement et des émissions évaporatoires

#### Responsabilités du propriétaire dans le cadre de la garantie :

- En tant que propriétaire de moteur, vous êtes responsable de l'exécution de l'entretien requis indiqué dans le manuel d'utilisation. B&S recommande de conserver tous les reçus en rapport avec l'entretien du moteur; toutefois, B&S ne peut refuser la garantie uniquement parce que vous êtes dans l'impossibilité de produire les reçus ou que vous n'avez pas effectué toutes les étapes de l'entretien prévu.
- Néanmoins, vous devez savoir, en tant que propriétaire de moteur, que B&S peut refuser le bénéfice de la garantie si votre moteur ou une pièce, est défaillant en raison d'abus, de négligence, d'entretien inadéquat ou de modifications non approuvées.
- Dès qu'un problème survient, vous avez la responsabilité de faire examiner votre moteur par un centre de distribution ou d'entretien B&S. Les réparations couvertes par la garantie doivent être effectuées dans un délai raisonnable, n'excédant pas 30 jours. Si vous avez une question au sujet de vos droits et responsabilités dans le cadre de la garantie, veuillez communiquer avec un représentant de B&S au 1-800-444-7774 (aux É.-U.) ou BRIGGSandSTRATTON.com.

#### Dispositions de la garantie du contrôle d'émissions Briggs & Stratton

Les dispositions qui suivent sont spécifiques à la couverture de garantie du contrôle des émissions. Elles sont un ajout à la garantie de moteur B&S pour les moteurs non régulés, figurant dans le manuel d'utilisation.

1. Pièces d'émissions garanties  
La couverture de cette garantie n'englobe que les pièces énumérées ci-dessous (pièces du dispositif antipollution) dans la mesure où ces pièces étaient présentes sur le moteur B&S.
  - a. Système de contrôle d'alimentation en carburant
    - Dispositif d'enrichissement pour démarrage à froid (étrangleur à glissement)



- Carburateur ou système d'injection de carburant
  - Capteur d'oxygène
  - Unité de commande électronique
  - Module de la pompe à carburant
- b. Circuit d'entrée d'air
- Filtre à air
  - Collecteur d'admission
- c. Système d'allumage
- Bougie(s) d'allumage
  - Système d'allumage à magnéto
- d. Système de catalyseur
- Convertisseur catalytique
  - Collecteur d'échappement
  - Système d'injection d'air ou valeur d'impulsions
- e. Éléments divers utilisés dans les systèmes précédemment mentionnés
- Soupapes et interrupteurs de dépression, de température, de position, à délai critique
  - Connecteurs et ensembles
  - Commandes électroniques

## 2. Durée de la couverture

La couverture est pour une période de cinq (5) ans à partir de la date de livraison à un acheteur final, ou 175 heures, le premier des deux prévalant. B&S garantit à l'acheteur initial et à tout acheteur suivant que le moteur a été conçu, construit et est équipé conformément à toutes les réglementations applicables sous la Section 213 de la Loi sur la qualité de l'air et qu'il est dépourvu de défauts des matériaux et de la fabrication pouvant provoquer la défaillance d'une pièce couverte par la garantie; et qu'il est identique en tous points par ses matériaux, au moteur décrit dans la demande de certification du fabricant. La période de garantie débute à la date à laquelle le moteur ou l'équipement a été remis à l'acheteur final.

La garantie sur les pièces d'émissions est la suivante :

- Toute pièce couverte par la garantie dont le remplacement n'est pas planifié dans le cadre de l'entretien obligatoire décrit dans le manuel d'utilisation fourni est garantie pendant la période indiquée ci-dessus. Si une telle pièce est défectueuse pendant la période de couverture de la garantie, la pièce sera réparée ou remplacée par B&S sans frais pour le propriétaire. Une telle pièce réparée ou remplacée sous la garantie sera couverte pour la période restante de la garantie.
  - Toute pièce couverte par la garantie dont seul l'examen est planifié dans le manuel d'utilisation fourni est garantie pendant la période indiquée ci-dessus. Cette pièce réparée ou remplacée dans le cadre de la garantie restera garantie pendant la période de garantie restante.
  - Toute pièce couverte par la garantie dont le remplacement fait partie de l'entretien obligatoire dans le manuel d'utilisation est garantie pendant la période jusqu'à son premier remplacement prévu. Si la pièce est défectueuse avant le remplacement prévu, la pièce sera réparée ou remplacée par B&S sans frais pour le propriétaire. Toute pièce réparée ou remplacée en vertu de la garantie sera garantie pendant la durée restante de la période jusqu'au premier remplacement prévu pour la pièce.
  - Les pièces ajoutées ou modifiées et qui ne font pas l'objet d'une exemption par l'EPA des É.-U. ne doivent pas être utilisées. L'utilisation de toute pièce ajoutée ou modifiée par le propriétaire sera une raison de refus d'une réclamation sous garantie. Le fabricant n'a pas la responsabilité de garantir les défauts des pièces garanties causées par l'utilisation de pièces ajoutées ou modifiées qui ne font pas partie d'une exemption.
3. Couverture indirecte
- La couverture s'étend à toute défaillance de l'un des composants du moteur consécutive à la défectuosité d'une des pièces d'émissions garanties encore couverte par la garantie.
4. Réclamations et exclusions de couverture
- Les demandes de compensation sous garantie devront être remplies selon les provisions de la Politique de garantie de moteur B&S. La couverture de garantie ne s'applique pas aux défectuosités de pièces de contrôle d'émissions qui ne sont pas des pièces d'origine B&S ou pour raison d'abus, de négligence ou d'entretien inadéquat comme stipulé dans la Politique de garantie de moteur B&S. B&S ne se tiendra pas responsable de la couverture de garantie de pièces de contrôle d'émissions défectueuses en raison d'utilisation de pièce modifiée ou non approuvée.

Not for reproduction

Not for reproduction

**VANGUARD®**

Not for reproduction