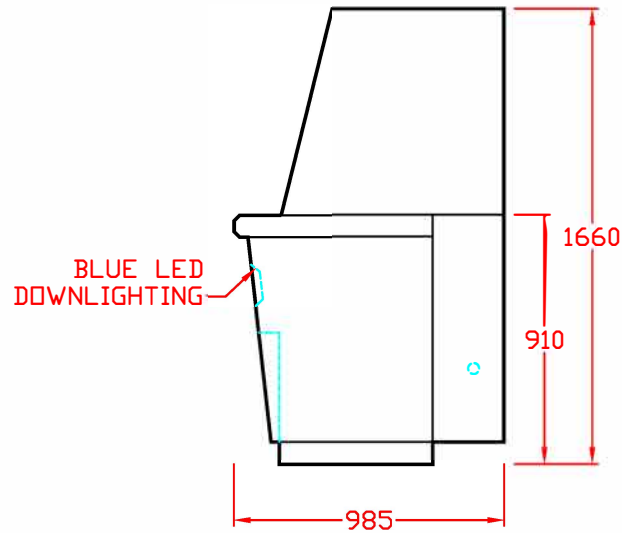
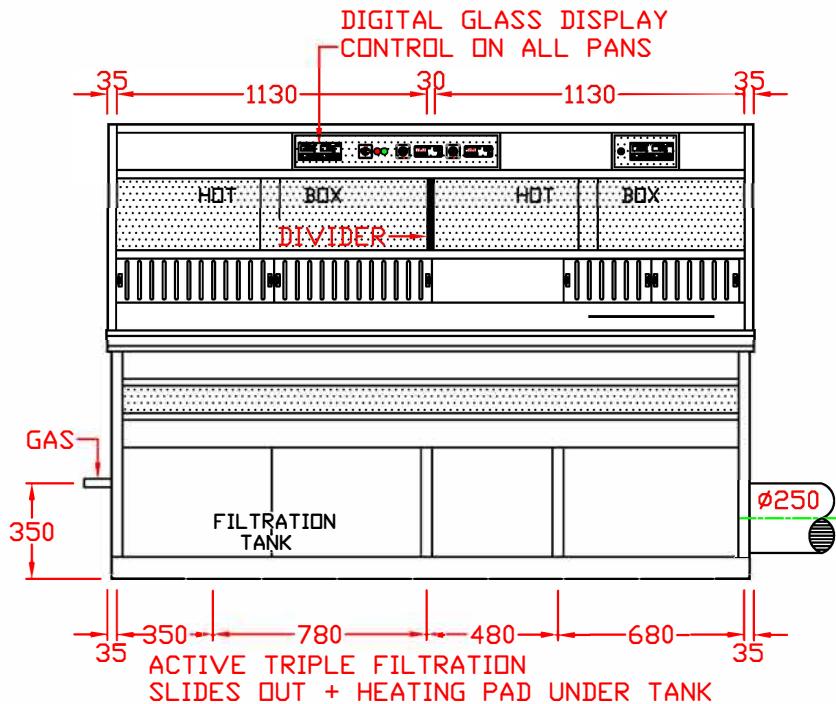


**HOT BOX:  
HALOGENS ONLY +  
MIRRORED BACKS +  
GLASS DOORS**

**HALO LIGHTING**



NOMINAL LOADS	
GAS:	52.2 kW 179,000B.Th.U
GASTYPE:	Nat. Gas? or L.P.G.?
400V:	0 kW + 230V: 7 kW
= ELECTRICITY TOTAL: 7 kW	
DIVIDED OVER 3 PHASE	
DUCTING SIZE:	
FAN: By Others	
WALL: left or/and righth. side?	
FILTRATION: solid fat	
SPECIALS	
Filtration system	●
Hot box: halogens	●
Waste oil dump tap	●
Fan delay timer	●
Hot Box: Glass Doors	●
Safety cut-out on all pans	●
Separate return pipes	●
Minimum oil level indicators	●
Blown air chip box	●
Chip box and Scrap box	●
to drain into filter drain pipe	



*Florigo Wallrange*

UPDATED 25-07-19

THIS IS A CONCEPT-DRAWING – NOT TO SCALE –  
Unless expressly stated this drawing shall not be binding as to detail.

SERIENR.:	DATUM: 01-05-18	AM.PROJ.	GET. J. van der Stoel
4 Units Florigo Wallrange Electronic Ignition			<b>FLORIGO</b> FRYING EQUIPMENT
<b>FLORIGO</b>		FLORIGO LTD. REDDITCH B98 9NR TEL. 01527 592000 EMAIL: INFO@FLORIGO.CO.UK WEBSITE: WWW.FLORIGO.CO.UK	TEKENING NR.: 1823866-W2
WIJZ.			