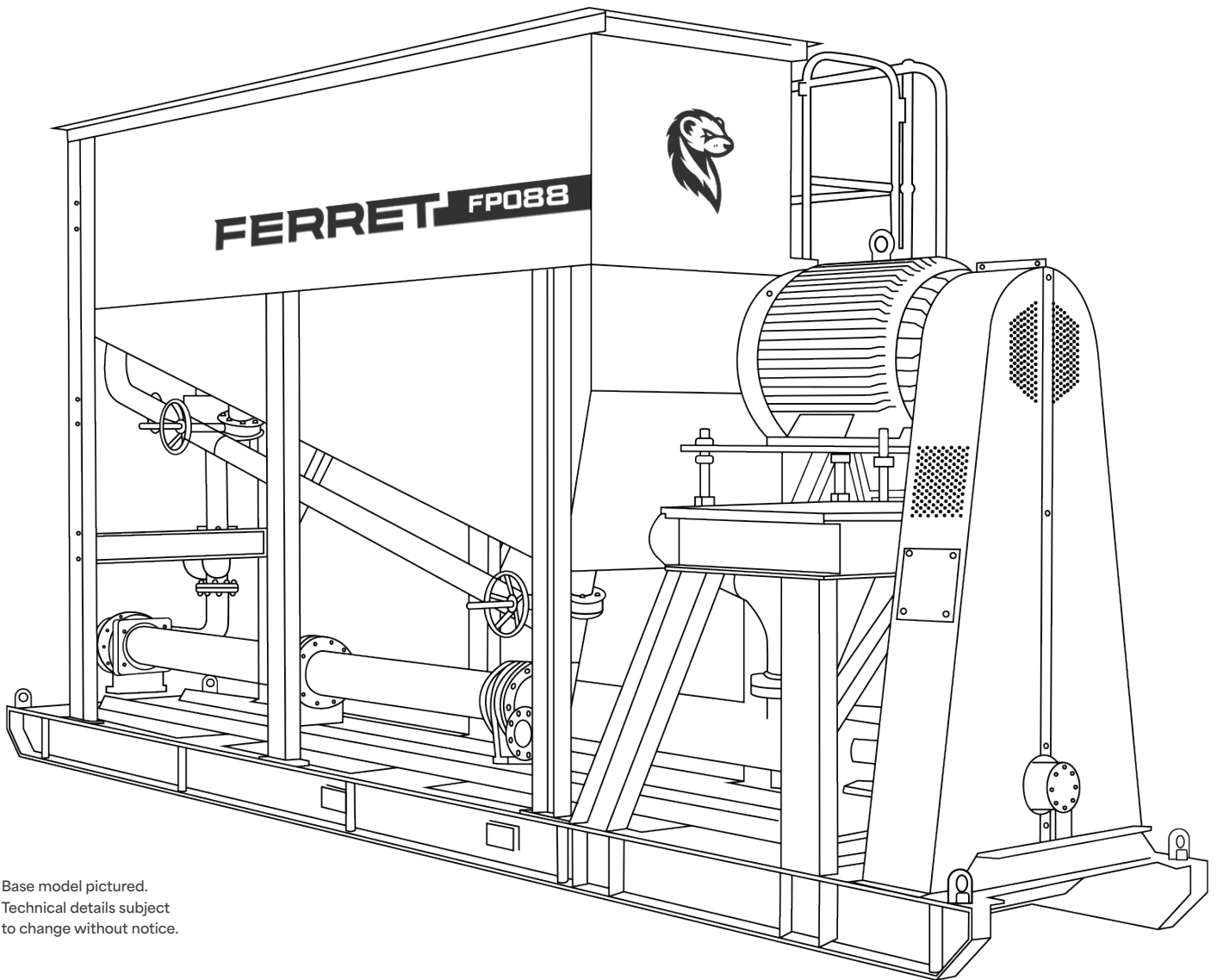


# FERRET FP088



Base model pictured.  
Technical details subject  
to change without notice.

## TECHNICAL DATA SHEET

The Ferret pump range is purpose-built for the demanding environments of high-pressure mine dewatering. Engineered for durability and efficiency, each model is crafted with premium materials and advanced protective coatings to withstand abrasive and corrosive conditions while minimising operating costs.

The Ferret pump range is designed to deliver consistent performance in the harshest applications and provides a reliable and efficient solution for all mine dewatering projects.

# FERRET FP088



## FEATURES

Highest efficiencies

Abrasive handling

Optimum reliability

Variable speeds available

Simple maintenance

Easy installation

Energy efficient

Easy servicing

Robust construction

Ideal for slurry pumping

## APPLICATIONS

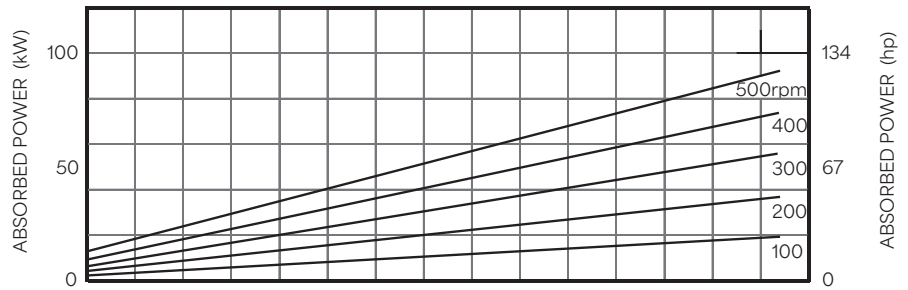
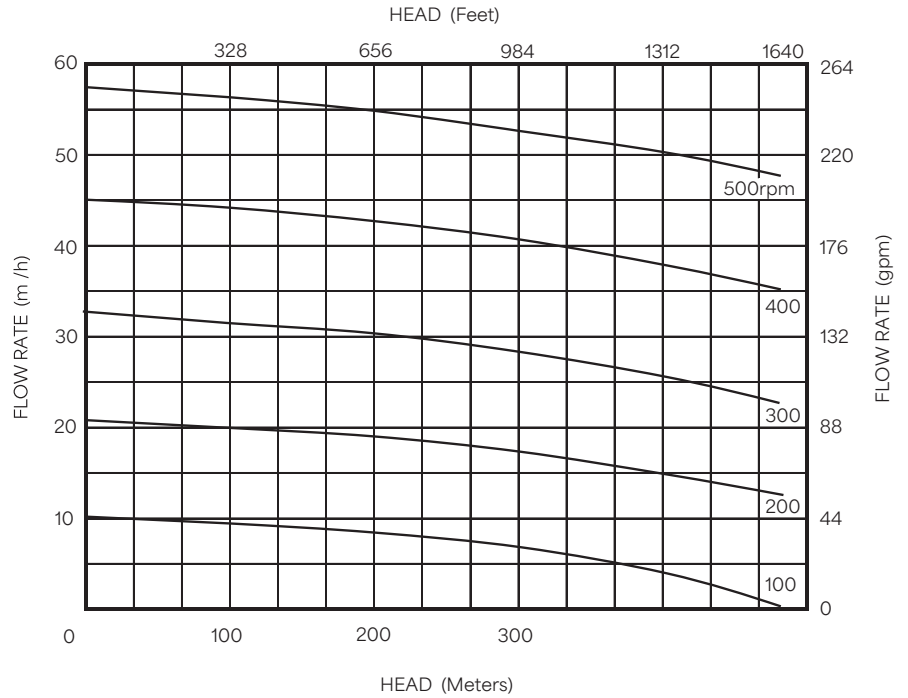
Highlift underground mine dewatering

Decline development pumping

Mobile contractor pumps

Permanent dewatering pump stations

Mineral processing



Tested on water at 20°C (68°F)

PUMP CONSTRUCTION	
INLET CASTING	Cast Iron
ROTOR	Stainless Steel, Hard Chrome Plated
STATOR	Natural Rubber
FLEXISHAFT	420 Stainless Steel Epoxy Coated
SKID FRAME	Galvanised Structured Mild Steel

MOTOR DETAILS	
MODEL	Premium Efficiency Mining Motor
MOTOR SIZE	90kW (120hp)
MOTOR SPEED	990rpm (6 Pole)
MOTOR VOLTAGE	1000V

DESIGN DETAILS	
MAXIMUM OPERATING SPEED	400 rpm
HEAD	480m (48 Bar)
MAXIMUM FLOW	14L/sec (222gpm)
INLET DIAMETER	200mm (8")
OUTLET DIAMETER	200mm (8")
MIMIMUM STARTING TORQUE	820N.m
HOPPER TANK	6500L (1717 US gal)
BASE FOOTPRINT	6640 x 1100mm (261 x 43")
DRY WEIGHT	5000kg (11000lb)