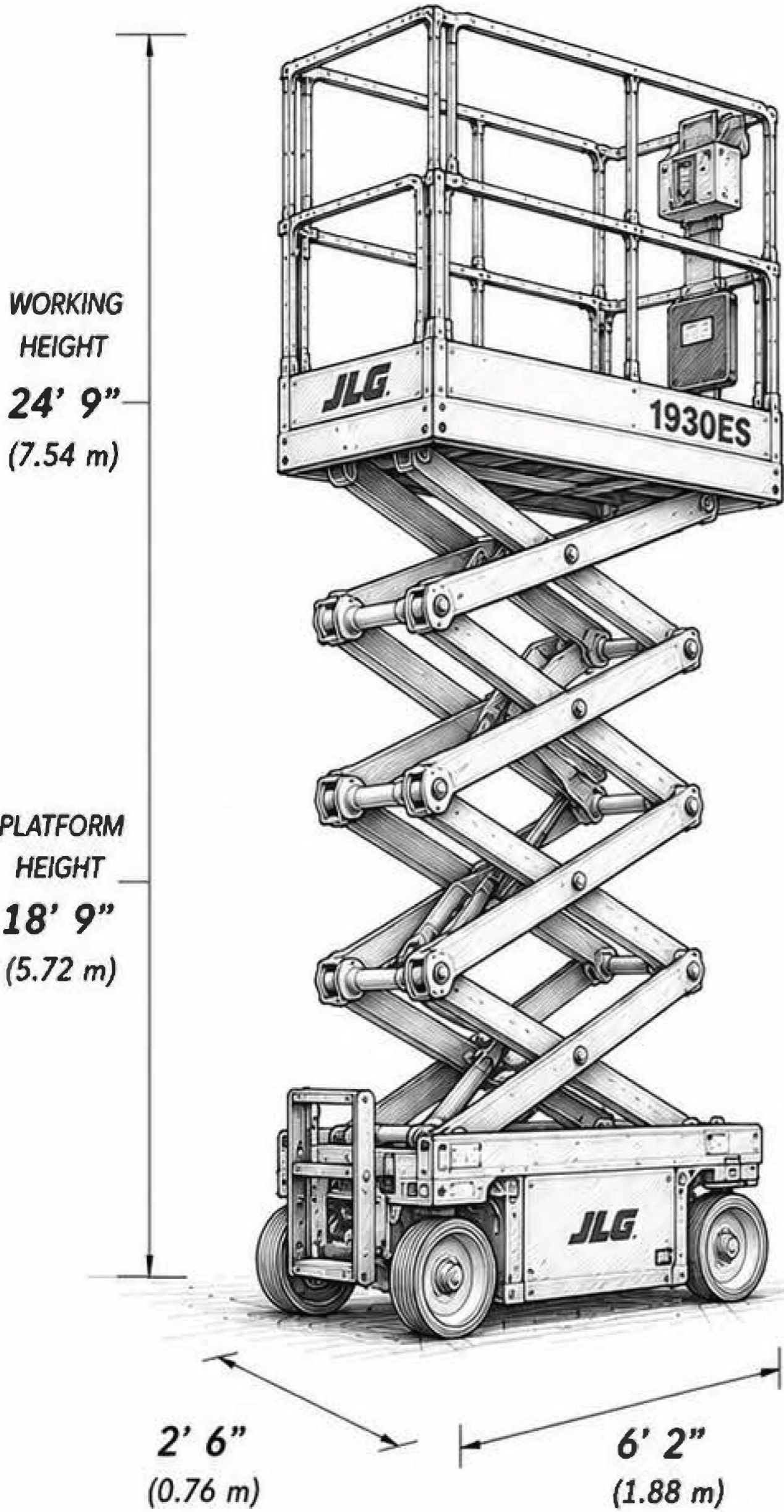


# JLG 1930ES

## ELECTRIC SCISSOR LIFT

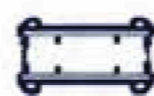


### SPECIFICATIONS

Working Height	24 ft 9 in (7.54 m)
Platform Height	18 ft 9 in (5.72 m)
Raised Platform Capacity	500 lb (227 kg)
Platform Extension Capacity	250 lb (113 kg)
Platform Size (Std.)	63 x 30 in (1.60 x 0.76 m)
Deck Extension	36 in (0.91 m)
Overall Width	30 in (0.76 m)
Overall Length	6 ft 2 in (1.88 m)
Stowed Height (Rails Up)	7 ft 6 in (2.29 m)
Stowed Height (Rails Down)	5 ft 8 in (1.73 m)
Weight	2,930 lb (1,330 kg)
Drive Speed (Stowed)	2.5 mph (4.0 km/h)
Drive Speed (Raised)	0.5 mph (0.8 km/h)
Power Source	24V DC (Four 6V Batteries)
Tires	12 x 4 in Non-Marking Solid

### BEST FOR

- Indoor Construction
- Warehouse & Retail
- Maintenance & Facility Work
- Electrical & HVAC



Extension Deck



Leak Containment System



Non-Marking Tires



Zero Emissions