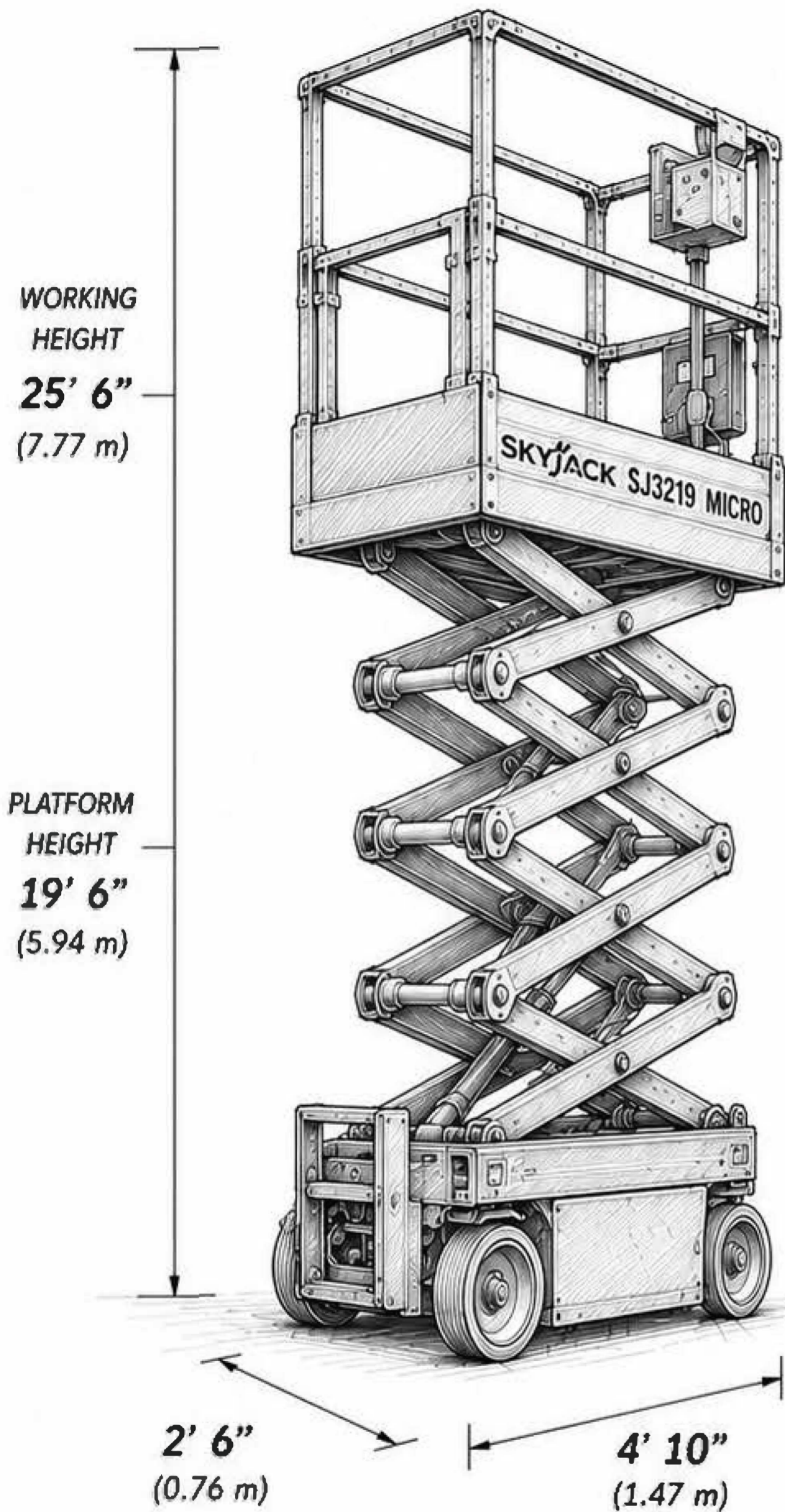


SKYJACK SJ3219 MICRO

ELECTRIC SCISSOR LIFT



SPECIFICATIONS

Working Height	25 ft 6 in (7.77 m)
Platform Height	19 ft 6 in (5.94 m)
Raised Platform Capacity	550 lb (249 kg)
Platform Extension Capacity	250 lb (113 kg)
Platform Size (Std.)	20.5 x 49 in (0.52 m x 1.24 m)
Deck Extension	36 in (0.91 m)
Overall Width	28 in (0.71 m)
Overall Length	4 ft 10 in (1.47 m)
Stowed Height (Rails Up)	6 ft 7 in (2.01 m)
Stowed Height (Rails Down)	4 ft 9 in (1.45 m)
Weight	2,050 lb (930 kg)
Drive Speed (Stowed)	2.3 mph (3.7 km/h)
Drive Speed (Raised)	0.5 mph (0.8 km/h)
Power Source	24V DC (Four 6V Batteries)
Tires	9 x 3.5 in Non-Marking Solid

BEST FOR

- Indoor Construction
- Warehouse & Retail
- Maintenance & Facility Work
- Electrical & HVAC



Extension Deck



Leak Containment System



Non-Marking Tires



Zero Emissions

 844-935-3960

 stackequipment.com

 Now serving
WI - FL - TX - NC