

GL-01

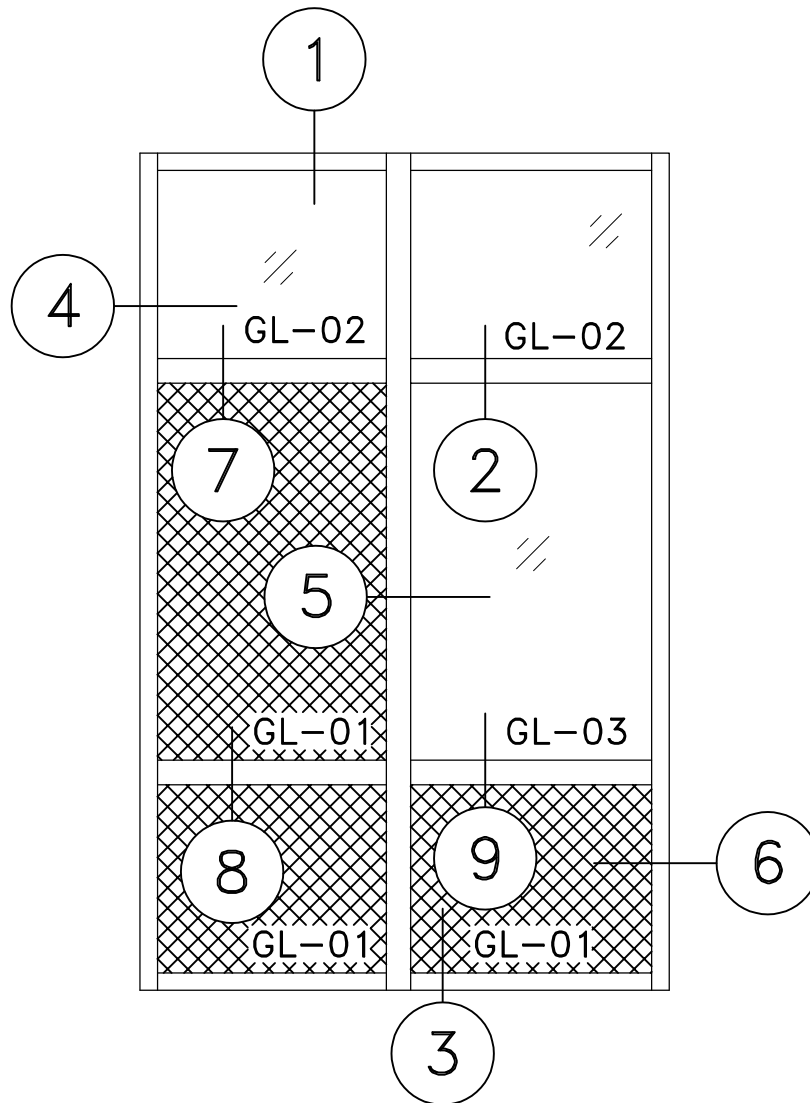
GLAZING: 1<sup>5</sup>/<sub>16</sub>" COMPOSITE IMP. PANEL  
(SOL-A-SHIELD INSULATED PANELS  
W/ ALUM. SKIN )

GL-02

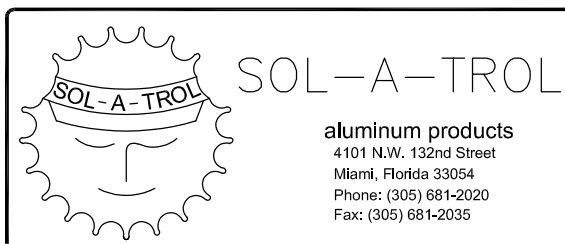
GLAZING: 9<sup>1</sup>/<sub>16</sub>" LAMINATED  
IMPACT GLASS

GL-03

GLAZING: 1<sup>5</sup>/<sub>16</sub>" LAMINATED  
INSULATED IMPACT GLASS



SERIES: 5000  
ALUMINUM IMPACT WINDOW WALL



GL-01

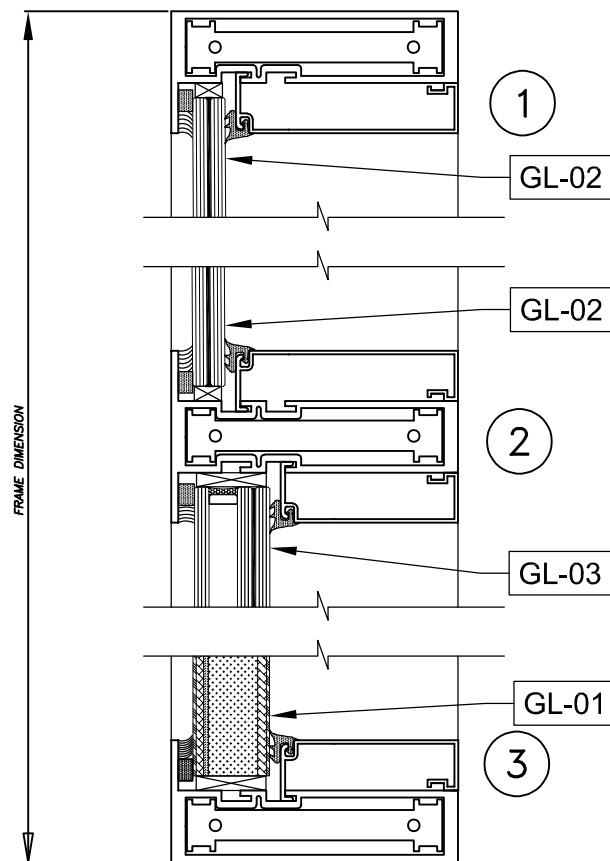
GLAZING: 1<sup>5</sup>/<sub>16</sub>" COMPOSITE IMP. PANEL  
(SOL-A-SHIELD INSULATED PANELS  
W/ ALUM. SKIN )

GL-02

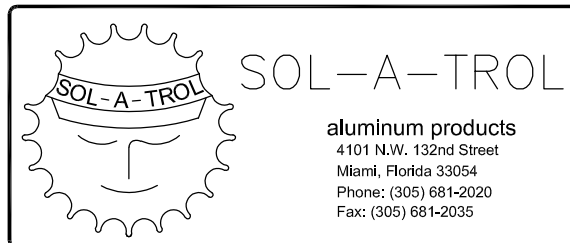
GLAZING: 9<sup>16</sup>" LAMINATED  
IMPACT GLASS

GL-03

GLAZING: 1<sup>5</sup>/<sub>16</sub>" LAMINATED  
INSULATED IMPACT GLASS



SERIES: 5000  
ALUMINUM IMPACT WINDOW WALL



GL-01

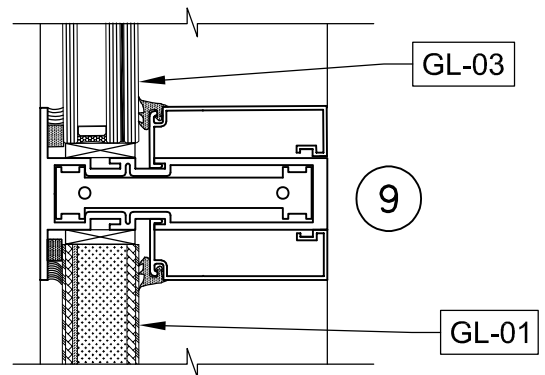
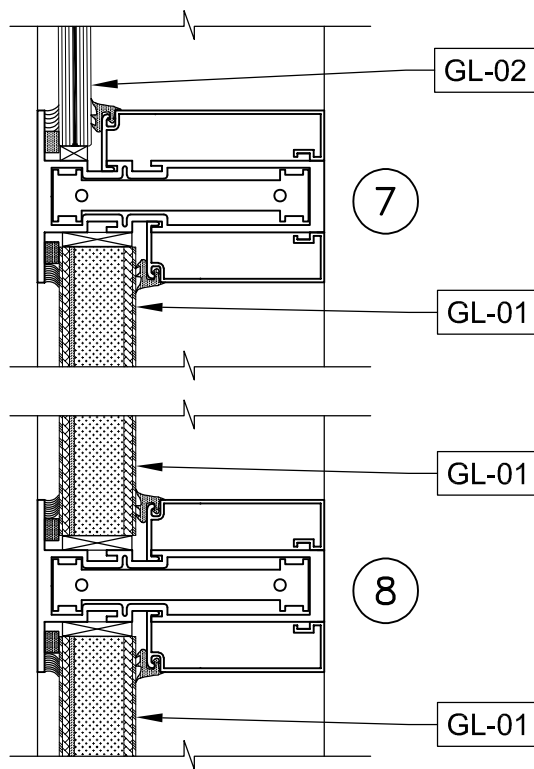
GLAZING: 1<sup>5</sup>/<sub>16</sub>" COMPOSITE IMP. PANEL  
(SOL-A-SHIELD INSULATED PANELS  
W/ ALUM. SKIN )

GL-02

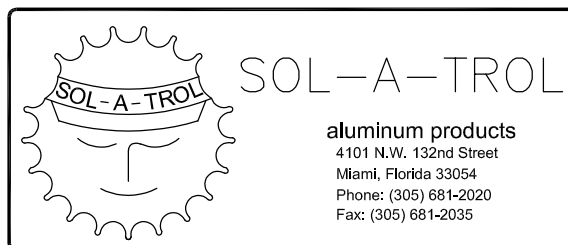
GLAZING: 9<sup>9</sup>/<sub>16</sub>" LAMINATED  
IMPACT GLASS

GL-03

GLAZING: 1<sup>5</sup>/<sub>16</sub>" LAMINATED  
INSULATED IMPACT GLASS



SERIES: 5000  
ALUMINUM IMPACT WINDOW WALL



GL-01

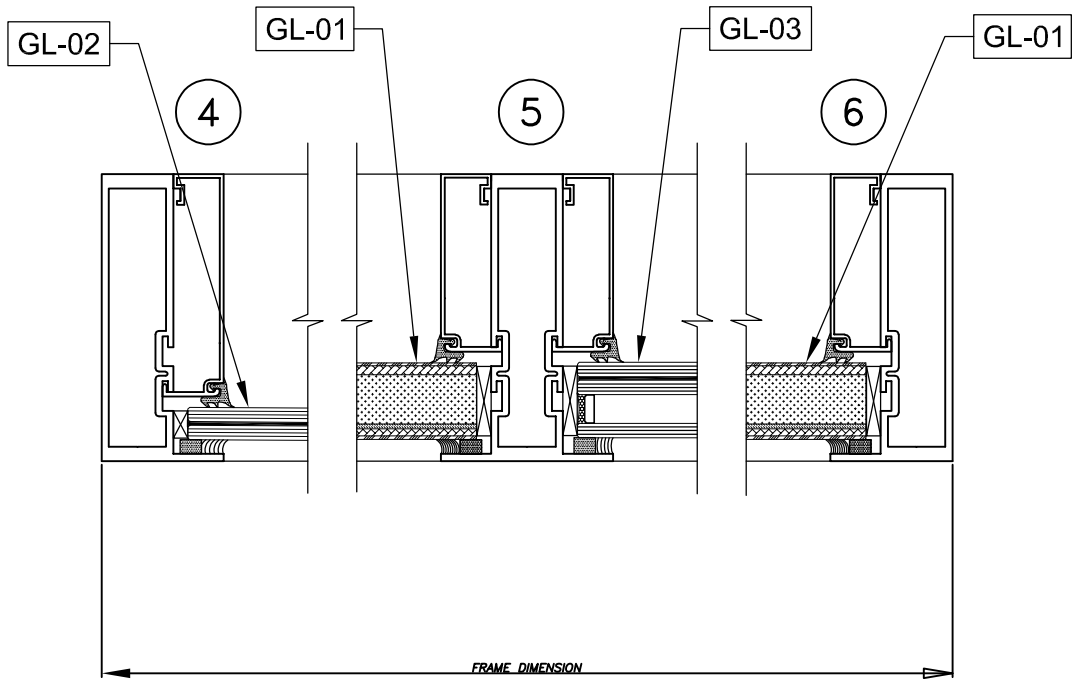
GLAZING: 1<sup>5</sup>/<sub>16</sub>" COMPOSITE IMP. PANEL  
(SOL-A-SHIELD INSULATED PANELS  
W/ ALUM. SKIN )

GL-02

GLAZING: 9<sup>1</sup>/<sub>16</sub>" LAMINATED  
IMPACT GLASS

GL-03

GLAZING: 1<sup>5</sup>/<sub>16</sub>" LAMINATED  
INSULATED IMPACT GLASS



SERIES: 5000  
ALUMINUM IMPACT WINDOW WALL

