



Product Approval
USER: Public User

[Product Approval Menu](#) > [Product or Application Search](#) > [Application List](#) > **Application Detail**

OFFICE OF THE
SECRETARY

FL #	FL17863-R5								
Application Type	Revision								
Code Version	2023								
Application Status	Approved								
Comments									
Archived	<input type="checkbox"/>								
Product Manufacturer	Sol-A-Trol Aluminum Products								
Address/Phone/Email	4101 NW 132 St Miami, FL 33054 (350) 681-2020 Ext 209 Edith@SOLATROL.COM								
Authorized Signature	Edith Todzey Edith@SOLATROL.COM								
Technical Representative	Edith Todzey								
Address/Phone/Email	4101 NW 132nd St. Miami, FL 33054 (305) 681-2020 edith@solatrol.com								
Quality Assurance Representative									
Address/Phone/Email									
Category	Windows								
Subcategory	Casement								
Compliance Method	Evaluation Report from a Florida Registered Architect or a Licensed Florida Professional Engineer <input type="checkbox"/> Evaluation Report - Hardcopy Received								
Florida Engineer or Architect Name who developed the Evaluation Report	Jalal Farooq								
Florida License	PE-81223								
Quality Assurance Entity	National Accreditation and Management Institute								
Quality Assurance Contract Expiration Date	12/31/2026								
Validated By	Yiping Wang, P.E. <input checked="" type="checkbox"/> Validation Checklist - Hardcopy Received								
Certificate of Independence	FL17863_R5_COI_SS - Certificate of Independence 2023.pdf								
Referenced Standard and Year (of Standard)	<table border="0"> <thead> <tr> <th>Standard</th> <th>Year</th> </tr> </thead> <tbody> <tr> <td>TAS 201</td> <td>1994</td> </tr> <tr> <td>TAS 202</td> <td>1994</td> </tr> <tr> <td>TAS 203</td> <td>1994</td> </tr> </tbody> </table>	Standard	Year	TAS 201	1994	TAS 202	1994	TAS 203	1994
Standard	Year								
TAS 201	1994								
TAS 202	1994								
TAS 203	1994								
Equivalence of Product Standards Certified By									
Sections from the Code									

Product Approval Method

Method 1 Option D

Date Submitted

12/18/2023

Date Validated

12/18/2023

Date Pending FBC Approval

12/31/2023

Date Approved

02/13/2024

Summary of Products

FL #	Model, Number or Name	Description
17863.1	Series 3000/3062 Aluminum Casement Window	Large missile impact resistant aluminum casement window.
Limits of Use Approved for use in HVHZ: Yes Approved for use outside HVHZ: Yes Impact Resistant: Yes Design Pressure: +100/-100 Other: See drawing W15-20 for span vs load combinations and installation details.		Installation Instructions FL17863_R5_II_SS- Series 3000-3062 Casement (LMI) - DWG W15-20 (2023).pdf Verified By: Jalal Farooq PE 81223 Created by Independent Third Party: Yes Evaluation Reports FL17863_R5_AE_SS- Series 3000-3062 Casement (LMI) - PAE 2023.pdf Created by Independent Third Party: Yes

[Back](#)

[Next](#)

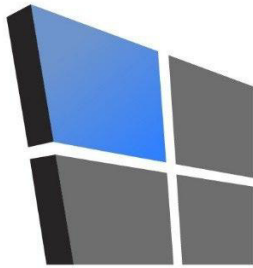
[Contact Us](#) :: 2601 Blair Stone Road, Tallahassee FL 32399 Phone: 850-487-1824

The State of Florida is an AA/EEO employer. [Copyright 2007-2013 State of Florida.](#) :: [Privacy Statement](#) :: [Accessibility Statement](#) :: [Refund Statement](#)

Under Florida law, email addresses are public records. If you do not want your e-mail address released in response to a public-records request, do not send electronic mail to this entity. Instead, contact the office by phone or by traditional mail. If you have any questions, please contact 850.487.1395. *Pursuant to Section 455.275(1), Florida Statutes, effective October 1, 2012, licensees licensed under Chapter 455, F.S. must provide the Department with an email address if they have one. The emails provided may be used for official communication with the licensee. However email addresses are public record. If you do not wish to supply a personal address, please provide the Department with an email address which can be made available to the public. To determine if you are a licensee under Chapter 455, F.S., please click [here](#).

Product Approval Accepts:





AL-FAROOQ CORPORATION

CONSULTING ENGINEERS & PRODUCT DEVELOPMENT

PRODUCT APPROVAL EVALUATION RULE CHAPTER #61G20-3 • METHOD 1 OPTION D

FL 17863

Date: 12/18/2023

Detailed Product Description:

Manufacturer: SOL-A-TROL ALUMINUM PRODUCTS, INC.


Manufacturer Address: 4101 NW 132ND STREET – MIAMI, FL. 33054

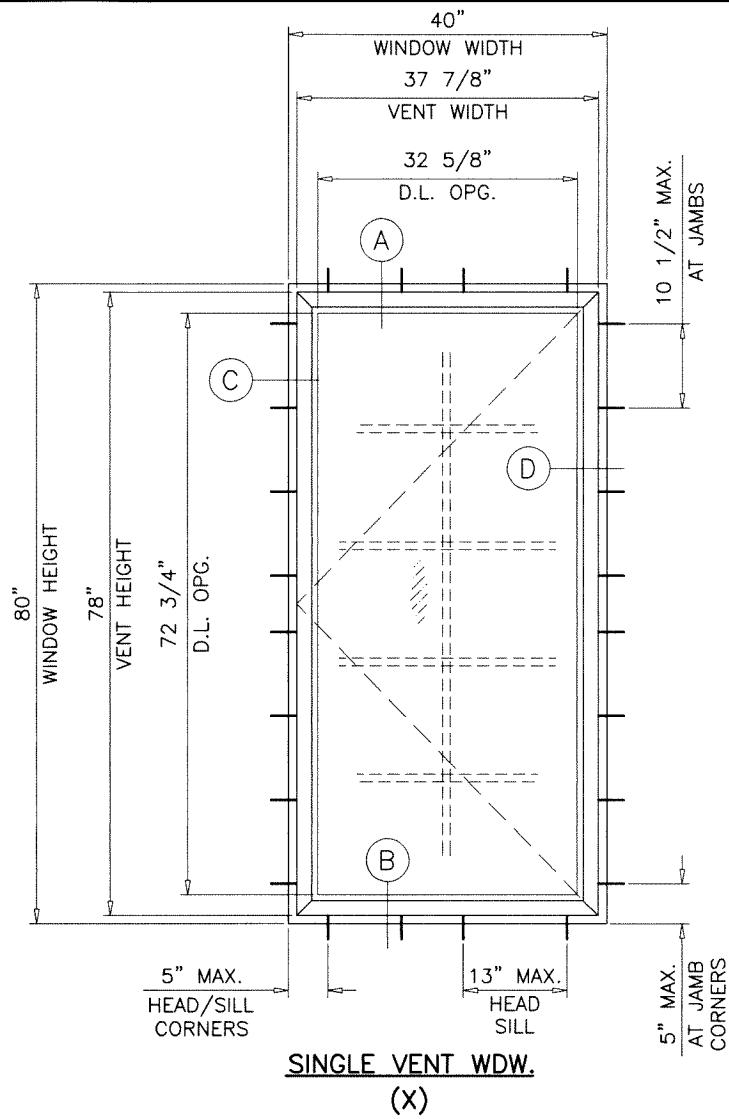
Model Name: SERIES 3000/3062 ALUMINUM CASEMENT WINDOW

Maximum Load: +100 PSF, -100 PSF (Large Missile Impact)

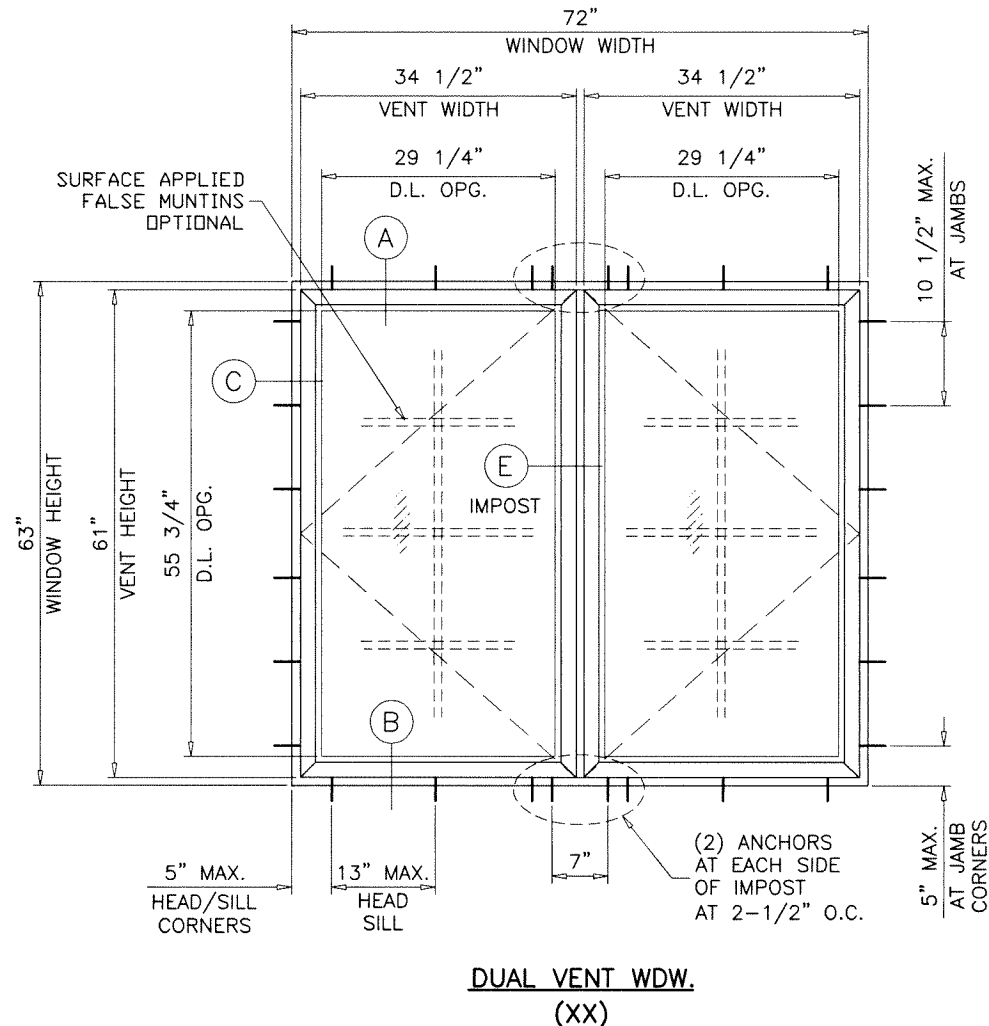
Installation Drawings # W15-20

This product complies with the High Velocity Hurricane Zone (HVHZ) testing requirements.					
For maximum sizes, combination of span vs loads and anchor type refer to installation drawings.					
Comparative analysis used <input checked="" type="checkbox"/> Yes <input type="checkbox"/> No					
Mandatory Tests (Tested in accordance with AAMA 101/I.S.2/NAFS/TAS-202)					
TEST	DESCRIPTION	TEST LOCATION	TEST REPORT DATE	TEST REPORT #	Test Sealed by
ASTM E283	Air Infiltration Leakage	Hurricane Engineering & Testing, Inc.	11/10/2008 10/28/2004 10/28/2004	HETI-08-2209A HETI-04-1409 HETI-04-1410	Candido Font, P.E. Ivonne Ghia, P.E. Ivonne Ghia, P.E.
ASTM E331 OR ASTM 547 & TAS 202	Water Penetration	Hurricane Engineering & Testing, Inc.	11/10/2008 10/28/2004 10/28/2004	HETI-08-2209A HETI-04-1409 HETI-04-1410	Candido Font, P.E. Ivonne Ghia, P.E. Ivonne Ghia, P.E.
ASTM E330 & TAS 202	Uniform Static Air Press.	Hurricane Engineering & Testing, Inc.	11/10/2008 10/28/2004 10/28/2004	HETI-08-2209A HETI-04-1409 HETI-04-1410	Candido Font, P.E. Ivonne Ghia, P.E. Ivonne Ghia, P.E.
ASTM F 588	Forced Entry	Hurricane Engineering & Testing, Inc.	11/10/2008 10/28/2004 10/28/2004	HETI-08-2209A HETI-04-1409 HETI-04-1410	Candido Font, P.E. Ivonne Ghia, P.E. Ivonne Ghia, P.E.

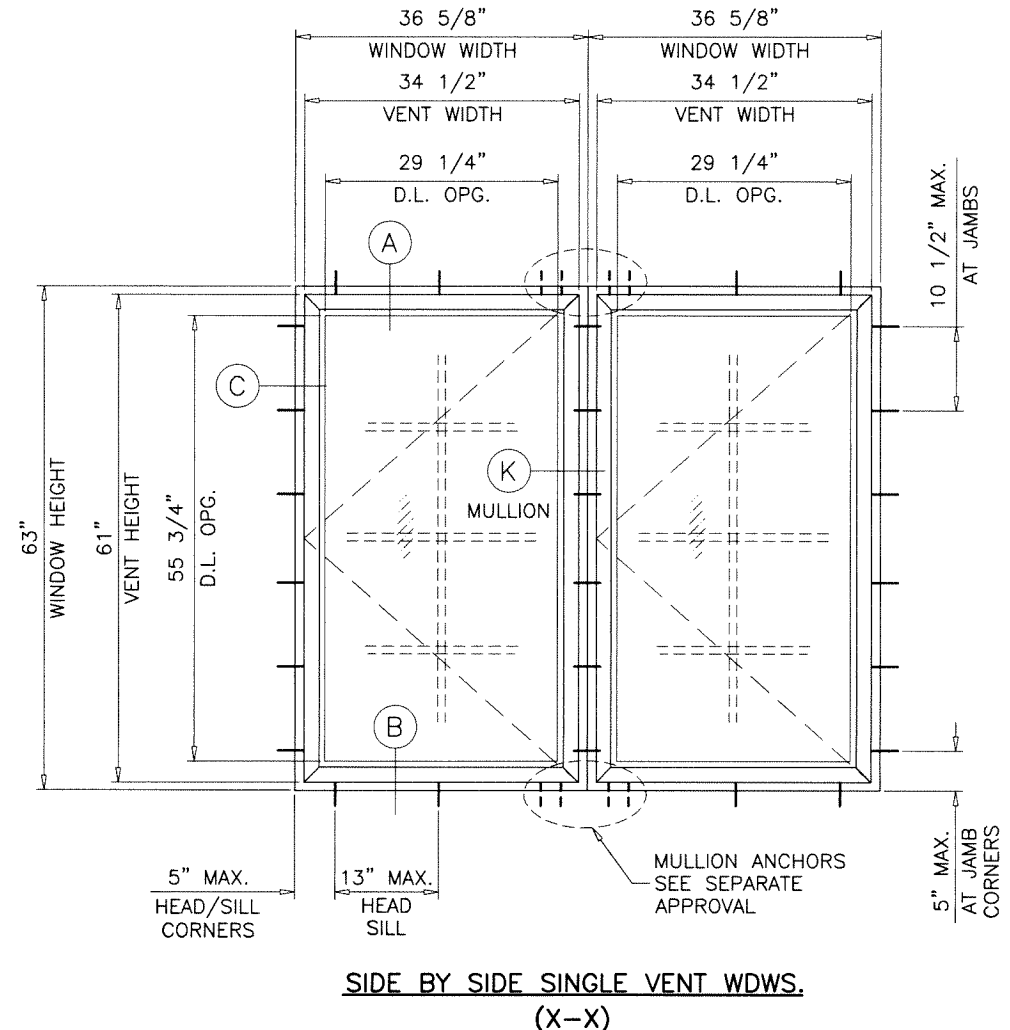
Supplemental Tests (Tested in accordance with TAS-201 and TAS-203)					
TEST	DESCRIPTION	TEST LOCATION	TEST REPORT DATE	TEST REPORT #	Test Sealed by
FBC 1626.2 (TAS 201 & 203)	Large Missile Impact & Cyclic	Hurricane Engineering & Testing, Inc. Fenestration Testing Lab	05/04/2009 05/04/2009 11/10/2008 10/28/2004 08/08/2016	HETI-09-2552 HETI-09-2553 HETI-08-2209B HETI-04-1918 A, C, D & E. FTL 8966	Candido Font, P.E. Candido Font, P.E. Candido Font, P.E. Ivonne Ghia, P.E. Idalmis Ortega, P.E.
Under the limitations of the attached installation drawings, to the best of my knowledge and ability, the above product conforms to the requirements of the 2023 Florida Building Code.					
Evaluation Report Engineer: Jalal Farooq Al-Farooq Corporation			 Sealed: 12/18/2023 PE # 81223 EB # 3538		



SINGLE VENT WDW.
(X)



DUAL VENT WDW.
(XX)

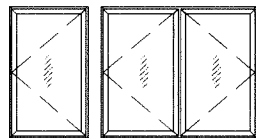


SIDE BY SIDE SINGLE VENT WDWs.
(X-X)

**SERIES 3000/3062 ALUM CASEMENT WINDOW
FLANGE OR EQUAL LEG FRAMES**

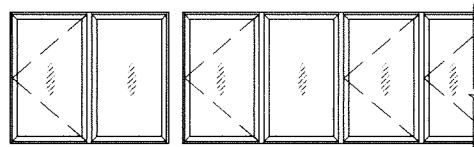
DESIGN LOAD RATING FOR THESE WINDOWS TO BE AS PER CHARTS SHOWN ON SHEET 4.

APPROVAL APPLIES TO SINGLE VENT WINDOWS OR DUAL VENT WINDOWS USING VERTICAL INTEGRAL IMPOST.

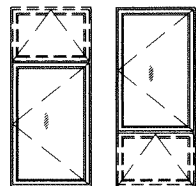


ALSO SIDE BY SIDE COMBINATIONS OF CASEMENT/CASEMENT OR CASEMENT WITH SERIES 3000/3062 FIXED WINDOWS USING MULLIONS IN BETWEEN.

LOWER DESIGN PRESSURE FROM WINDOWS OR MULLION APPROVAL WILL APPLY TO ENTIRE SYSTEM.



ALSO TOP AND BOTTOM COMBINATIONS OF SERIES 3000 CASEMENT OVER 3000 PROJECT-OUT OR SERIES 3000 PROJECT-OUT OVER 3000 CASEMENT USING HORIZONTAL INTEGRAL IMPOST.



LOWER DESIGN PRESSURE FROM CASEMENT WINDOW OR PROJECT-OUT WINDOW WILL APPLY.

THESE WINDOWS ARE RATED FOR LARGE & SMALL MISSILE IMPACT. SHUTTERS ARE NOT REQUIRED.

THIS PRODUCT HAS BEEN DESIGNED AND TESTED TO COMPLY WITH THE REQUIREMENTS OF THE 2023 (8TH EDITION) FLORIDA BUILDING CODE INCLUDING HIGH VELOCITY HURRICANE ZONE (HVHZ).

1BY OR 2BY WOOD BUCKS & BUCK FASTENERS BY OTHERS, MUST BE DESIGNED AND INSTALLED ADEQUATELY TO TRANSFER APPLIED PRODUCT LOADS TO THE BUILDING STRUCTURE.

ANCHORS SHALL BE CORROSION RESISTANT, SPACED AS SHOWN ON DETAILS AND INSTALLED PER MANUF'S INSTRUCTIONS. SPECIFIED EMBEDMENT TO BASE MATERIAL SHALL BE BEYOND WALL DRESSING OR STUCCO.

A LOAD DURATION INCREASE IS USED IN DESIGN OF ANCHORS INTO WOOD ONLY.

ALL SHIMS TO BE HIGH IMPACT, NON-METALLIC AND NON-COMPRESSIBLE.

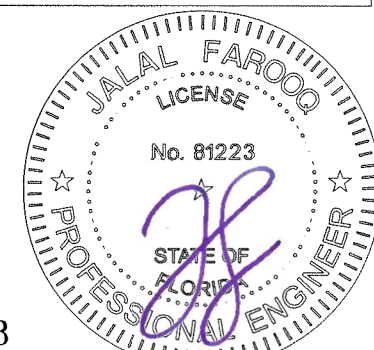
MATERIALS INCLUDING BUT NOT LIMITED TO STEEL/METAL SCREWS, THAT COME INTO CONTACT WITH OTHER DISSIMILAR MATERIALS SHALL MEET THE REQUIREMENTS OF THE 2023 FLORIDA BLDG. CODE & ADOPTED STANDARDS.

THIS PRODUCT APPROVAL IS GENERIC AND DOES NOT PROVIDE INFORMATION FOR A SITE SPECIFIC PROJECT, i.e. LIFE SAFETY OF THIS PRODUCT, ADEQUACY OF STRUCTURE RECEIVING THIS PRODUCT AND SEALING AROUND OPENING FOR WATER INFILTRATION RESISTANCE ETC. CONDITIONS NOT SHOWN IN THIS DRAWING ARE TO BE ANALYZED SEPARATELY, AND TO BE REVIEWED BY BUILDING OFFICIAL.

DESIGN LOADS SHOWN ARE BASED ON 'ALLOWABLE STRESS DESIGN (ASD)'.

MANUFACTURER'S LABEL SHALL BE LOCATED ON A READILY VISIBLE LOCATION IN ACCORDANCE WITH SECTION 1709.9.3 OF FLORIDA BUILDING CODE. LABELING TO COMPLY WITH SECTION 1709.9.2.

- A- CONTRACTOR TO BE RESPONSIBLE FOR THE SELECTION, PURCHASE AND INSTALLATION OF THIS PRODUCT BASED ON THIS PRODUCT EVALUATION PROVIDED HE/SHE DOES NOT DEVIATE FROM THE CONDITIONS DETAILED ON THIS DOCUMENT.
- B- THIS PRODUCT EVALUATION DOCUMENT WILL BE CONSIDERED INVALID IF ALTERED BY ANY MEANS.
- C- SITE SPECIFIC PROJECTS SHALL BE PREPARED BY A FLORIDA REGISTERED ENGINEER OR ARCHITECT WHICH WILL BECOME THE ENGINEER OF RECORD (E.O.R.) FOR THE PROJECT AND WHO WILL BE RESPONSIBLE FOR THE PROPER USE OF THE P.E.D. ENGINEER OF RECORD, ACTING AS A DELEGATED ENGINEER TO THE P.E.D. ENGINEER SHALL SUBMIT TO THIS LATTER THE SITE SPECIFIC DRAWINGS FOR REVIEW.
- D- THIS P.E.D. SHALL BEAR THE DATE AND ORIGINAL SEAL AND SIGNATURE OF THE PROFESSIONAL ENGINEER OF RECORD THAT PREPARED IT.



Sealed: 12/18/2023

FL #17863

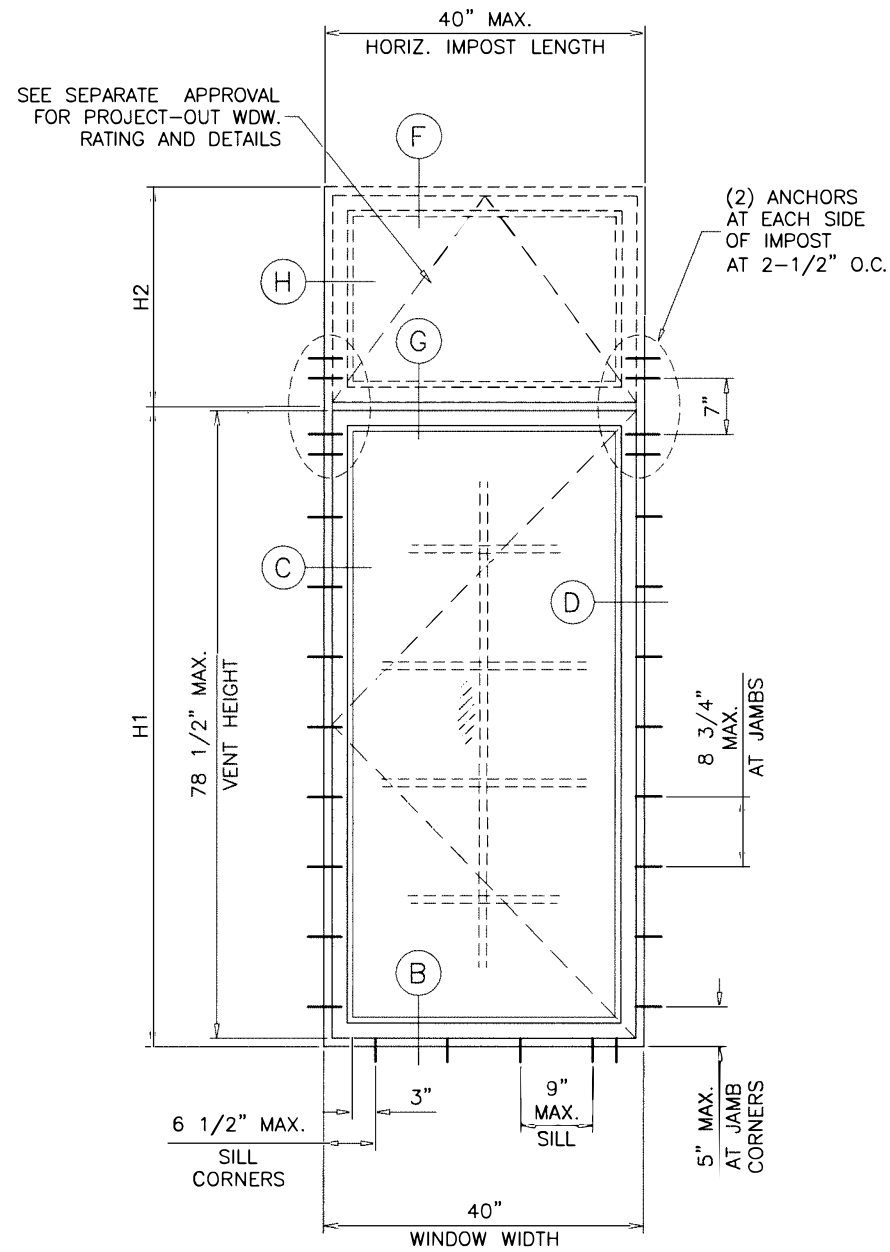
af c
AL-FAROOQ CORPORATION
ENGINEERS & PRODUCT DEVELOPMENT
9360 SUNSET DRIVE, SUITE 220
MIAMI, FLORIDA 33173 (C.A.N. 3558)
TEL. (305) 264-8100 FAX. (305) 262-6978
COMP-ANL W15-20SAT

SERIES 3000/3062 ALUM CASEMENT WDW. (L.M.I.)
SOL-A-TROL ALUMINUM PRODUCTS INC.
4101 N.W. 132ND STREET
MIAMI, FL. 33054
TEL. (305) 681-2020 FAX. (305) 681-2035

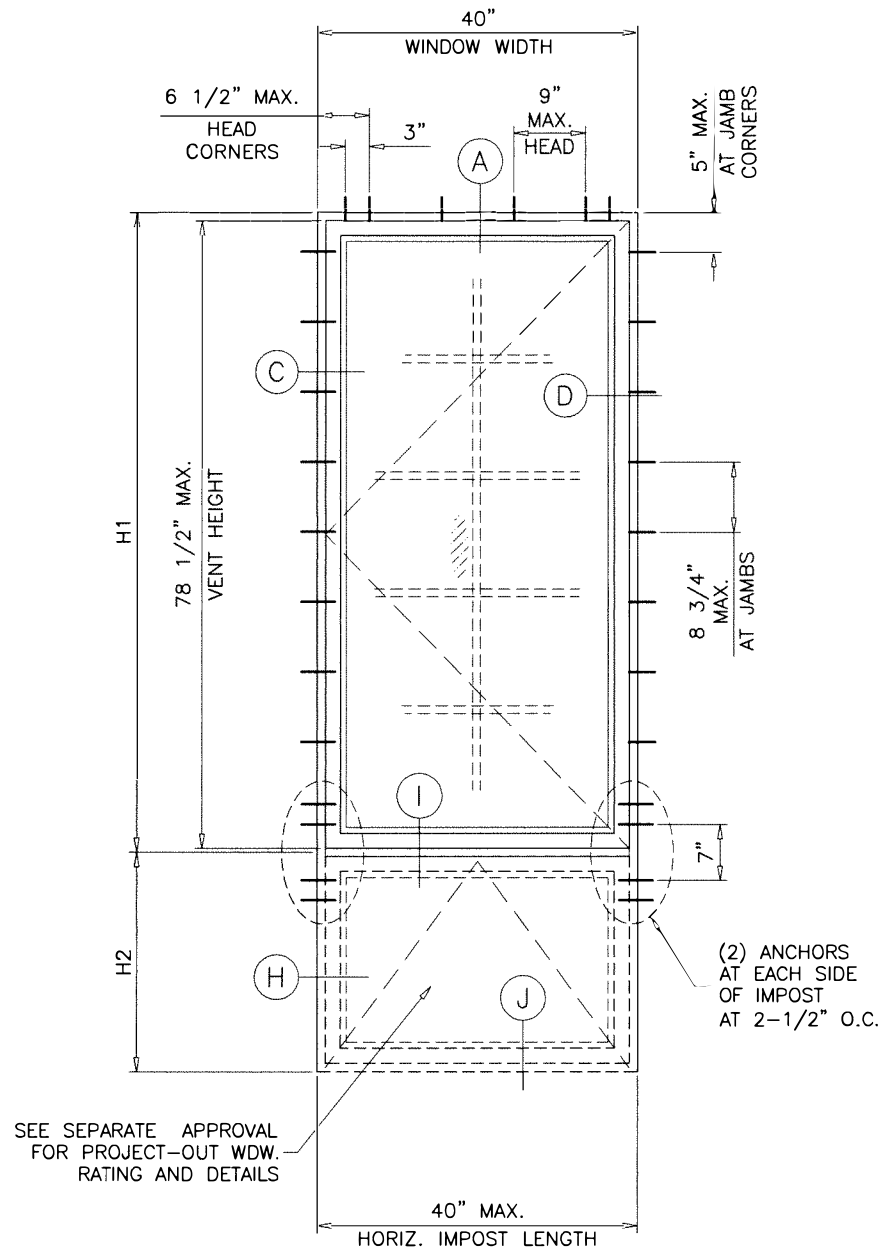
no	date	by	description
A	07.08.16		GLASS TYPES F & G ADDED
B	11.28.18		UPDATED TO 2017 FBC
C	10.27.23		UPDATED TO 2023 FBC

date: 05-07-15
scale: 1/2"=1'-0"
dr. by: HAMID
chk. by:

drawing no.
W15-20
sheet 1 of 11



SERIES 3000 WDW.
PROJECT-OUT/CASEMENT

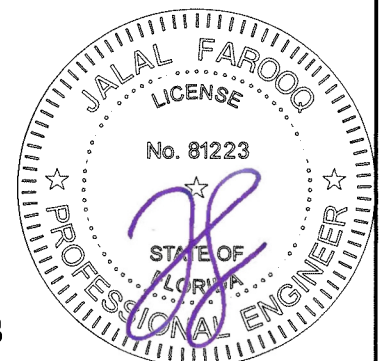


SERIES 3000 WDW.
CASEMENT/PROJECT-OUT

$$\text{HEIGHT (H)} = \frac{H1 + H2}{2} = 120" \text{ MAX.}$$

CASEMENT AND PROJECT-OUT WINDOW COMBINATIONS WITH INTEGRAL IMPOST AS SHOWN ABOVE CAN BE USED WITH SERIES 3000 WINDOWS ONLY. FOR SERIES 3000 CASEMENT WINDOW CAPACITY SEE SHEET 4 FOR SERIES 3000 PROJECT-OUT WINDOW CAPACITY SEE SEPARATE APPROVAL LOWER DESIGN PRESSURE FROM CASEMENT WDW. CAPACITY CHART OR PROJECT-OUT WINDOW APPROVAL WILL APPLY.

Sealed: 12/18/2023



FL #17863

af c
AL-FAROOQ CORPORATION
ENGINEERS & PRODUCT DEVELOPMENT
9360 SUNSET DRIVE, SUITE 220
MIAMI, FLORIDA 33173 (C.A.N. 3538)
TEL. (305) 264-8100 FAX. (305) 262-6978
COMP-ANL\W15-20SAT

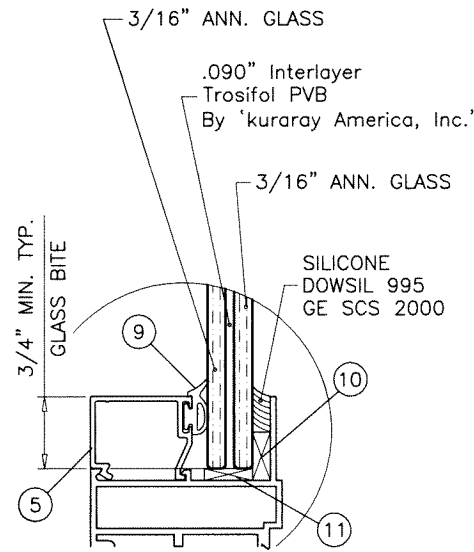
SERIES 3000/3062 ALUM CASEMENT WDW. (L.M.I.)
SOL-A-TROL ALUMINUM PRODUCTS INC.
4101 N.W. 132ND STREET
MIAMI, FL. 33054
TEL. (305) 681-2020 FAX. (305) 681-2035

no	date	by	description

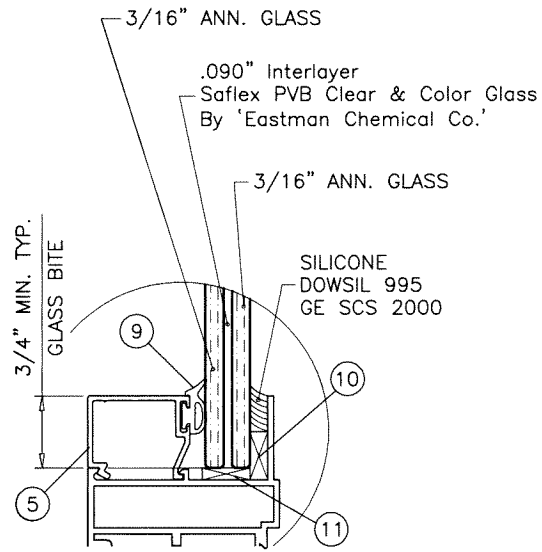
date: 05-07-15
scale: 1/2" = 1"
dr. by: HAMID
chk. by:

drawing no.
W15-20
sheet 2 of 11

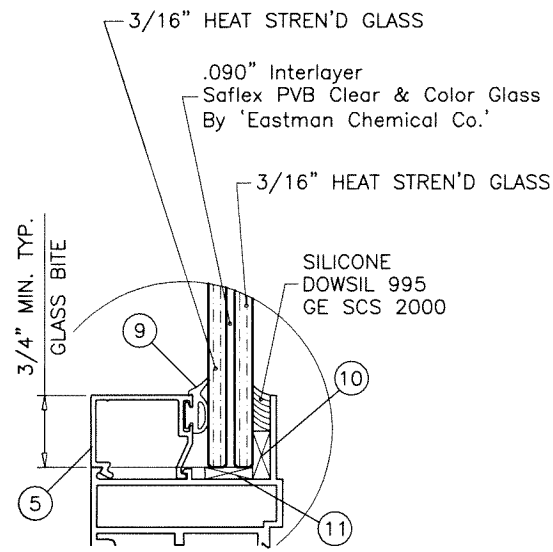
EXTERIOR



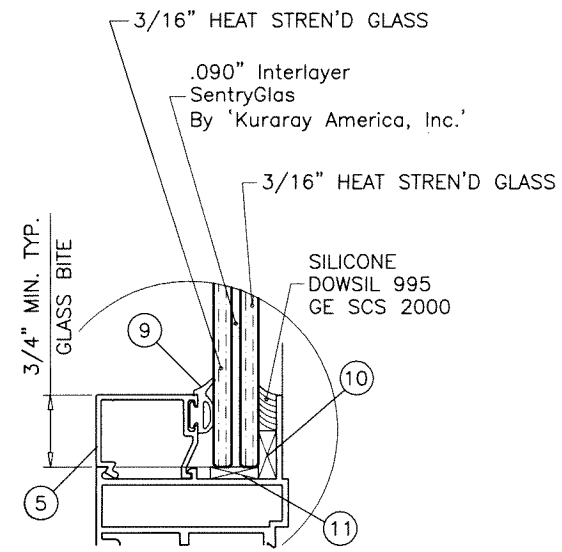
GLASS TYPE 'A'



GLASS TYPE 'B'

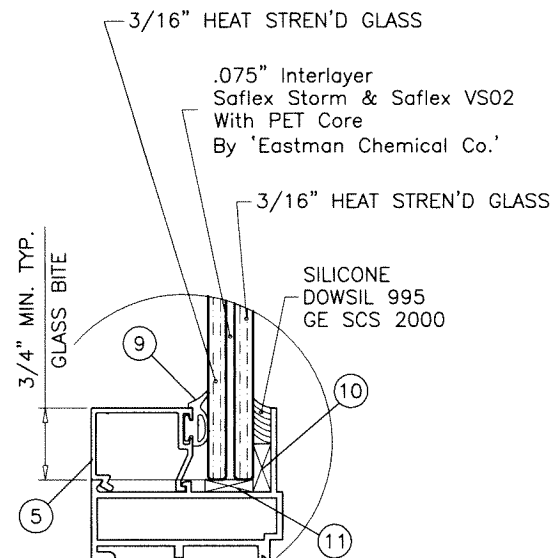


GLASS TYPE 'C'

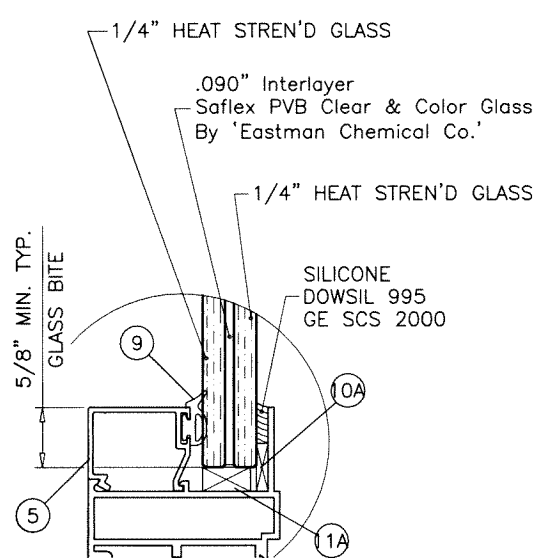


GLASS TYPE 'D'

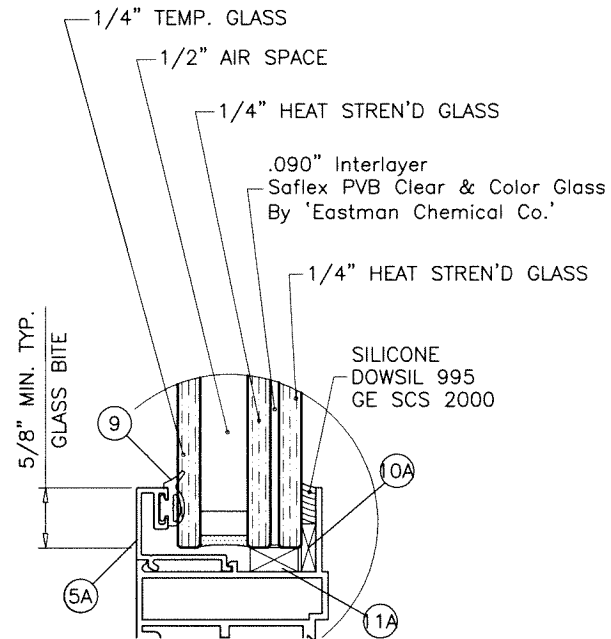
EXTERIOR



GLASS TYPE 'E'



GLASS TYPE 'F'



GLASS TYPE 'G'

1/2" AIR SPACE CONSISTING OF:
SPACER:
 GALV. STEEL BOX SPACER BY 'ALLMETAL'
 AROUND THE PERIMETER OF THE GLASS
PRIMARY SEALANT:
 TYPE PB-29 BY 'KOMMERLING/ROYAL'
SECONDARY SEALANT:
 DC-982 BY 'DOWSIL'

GLAZING OPTIONS

Sealed: 12/18/2023



FL #17863

af c
AL-FAROOQ CORPORATION
 ENGINEERS & PRODUCT DEVELOPMENT
 9360 SUNSET DRIVE, SUITE 220
 MIAMI, FLORIDA 33173 (C.A.N. 3538)
 TEL. (305) 264-8100 FAX. (305) 262-6978
 COMP-ANL \ W15-20SAT

SERIES 3000/3062 ALUM CASEMENT WDW. (L.M.I.)
SOL-A-TROL ALUMINUM PRODUCTS INC.
 4101 N.W. 132ND STREET
 MIAMI, FL. 33054
 TEL. (305) 681-2020 FAX. (305) 681-2035

no	date	by	description

date: 05-07-15
 scale: 1/2" = 1"
 dr. by: HAMID
 chk. by:

drawing no.
W15-20
 sheet 3 of 11

DESIGN LOAD CAPACITY - PSF FOR (X) SIZES													
WINDOW DIMS.		SERIES 3062				SERIES 3000							
		GLASS TYPES 'A', 'B' 'C' OR 'D'		GLASS TYPES 'F' OR 'G'		GLASS TYPES 'A', 'B' OR 'C'		GLASS TYPE 'D'		GLASS TYPE 'E'		GLASS TYPES 'F' OR 'G'	
WIDTH	HEIGHT	EXT.(+)	1NT.(-)	EXT.(+)	1NT.(-)	EXT.(+)	1NT.(-)	EXT.(+)	1NT.(-)	EXT.(+)	1NT.(-)	EXT.(+)	1NT.(-)
19-1/8"	26" (3)	80.0	80.0	65.0	80.0	80.0	80.0	100.0	100.0	75.0	90.0	65.0	80.0
26-1/2"		80.0	80.0	65.0	80.0	80.0	80.0	100.0	100.0	75.0	90.0	65.0	80.0
37"		80.0	80.0	65.0	80.0	80.0	80.0	100.0	100.0	75.0	90.0	65.0	80.0
19-1/8"	38-3/8" (4)	80.0	80.0	65.0	80.0	80.0	80.0	100.0	100.0	75.0	90.0	65.0	80.0
26-1/2"		80.0	80.0	65.0	80.0	80.0	80.0	100.0	100.0	75.0	90.0	65.0	80.0
37"		80.0	80.0	65.0	80.0	80.0	80.0	100.0	100.0	75.0	90.0	65.0	80.0
19-1/8"	50-5/8" (5)	80.0	80.0	65.0	80.0	80.0	80.0	100.0	100.0	75.0	90.0	65.0	80.0
26-1/2"		80.0	80.0	65.0	80.0	80.0	80.0	100.0	100.0	75.0	90.0	65.0	80.0
37"		80.0	80.0	65.0	80.0	80.0	80.0	97.6	97.6	75.0	90.0	65.0	80.0
19-1/8"	63" (7)	80.0	80.0	65.0	80.0	80.0	80.0	100.0	100.0	75.0	90.0	65.0	80.0
26-1/2"		80.0	80.0	65.0	80.0	80.0	80.0	100.0	100.0	75.0	90.0	65.0	80.0
19-1/8"	74-1/4" (8)	80.0	80.0	65.0	80.0	80.0	80.0	100.0	100.0	75.0	90.0	65.0	80.0
26-1/2"		61.0	61.0	61.0	61.0	76.2	76.2	76.2	76.2	75.0	90.0	65.0	80.0
18"	24" (3)	80.0	80.0	65.0	80.0	80.0	80.0	100.0	100.0	75.0	90.0	65.0	80.0
24"		80.0	80.0	65.0	80.0	80.0	80.0	100.0	100.0	75.0	90.0	65.0	80.0
30"		80.0	80.0	65.0	80.0	80.0	80.0	100.0	100.0	75.0	90.0	65.0	80.0
36"		80.0	80.0	65.0	80.0	80.0	80.0	100.0	100.0	75.0	90.0	65.0	80.0
18"	36" (4)	80.0	80.0	65.0	80.0	80.0	80.0	100.0	100.0	75.0	90.0	65.0	80.0
24"		80.0	80.0	65.0	80.0	80.0	80.0	100.0	100.0	75.0	90.0	65.0	80.0
30"		80.0	80.0	65.0	80.0	80.0	80.0	100.0	100.0	75.0	90.0	65.0	80.0
36"		80.0	80.0	65.0	80.0	80.0	80.0	100.0	100.0	75.0	90.0	65.0	80.0
18"	48" (5)	80.0	80.0	65.0	80.0	80.0	80.0	100.0	100.0	75.0	90.0	65.0	80.0
24"		80.0	80.0	65.0	80.0	80.0	80.0	100.0	100.0	75.0	90.0	65.0	80.0
30"		80.0	80.0	65.0	80.0	80.0	80.0	100.0	100.0	75.0	90.0	65.0	80.0
36"		80.0	80.0	65.0	80.0	80.0	80.0	100.0	100.0	75.0	90.0	65.0	80.0
18"	60" (6)	80.0	80.0	65.0	80.0	80.0	80.0	100.0	100.0	75.0	90.0	65.0	80.0
24"		80.0	80.0	65.0	80.0	80.0	80.0	100.0	100.0	75.0	90.0	65.0	80.0
30"		80.0	80.0	65.0	80.0	80.0	80.0	100.0	100.0	75.0	90.0	65.0	80.0
36"		80.0	80.0	65.0	80.0	80.0	80.0	100.0	100.0	75.0	90.0	65.0	80.0
18"	63" (6)	80.0	80.0	65.0	80.0	80.0	80.0	100.0	100.0	75.0	90.0	65.0	80.0
24"		80.0	80.0	65.0	80.0	80.0	80.0	100.0	100.0	75.0	90.0	65.0	80.0
30"		80.0	80.0	65.0	80.0	80.0	80.0	100.0	100.0	75.0	90.0	65.0	80.0
36"		80.0	80.0	65.0	80.0	80.0	80.0	100.0	100.0	75.0	90.0	65.0	80.0
18"	72" (7)	80.0	80.0	65.0	80.0	80.0	80.0	100.0	100.0	75.0	90.0	65.0	80.0
24"		73.3	73.3	65.0	73.3	73.3	73.3	91.7	91.7	75.0	90.0	65.0	80.0
30"		60.2	60.2	60.2	60.2	60.2	60.2	75.3	75.3	75.0	90.0	65.0	80.0
42"		-	-	-	-	-	-	71.4	84.7	71.4	84.7	65.0	80.0
44"		-	-	-	-	-	-	68.2	80.8	68.2	80.8	65.0	80.0
42"	76" (8)	-	-	-	-	-	71.4	85.7	71.4	85.7	65.0	80.0	
18"	80" (8)	-	-	-	-	-	75.0	90.0	75.0	90.0	65.0	80.0	
24"		-	-	-	-	-	75.0	90.0	75.0	90.0	65.0	80.0	
30"		-	-	-	-	-	75.0	90.0	75.0	90.0	65.0	80.0	
36"		-	-	-	-	-	75.0	90.0	75.0	90.0	65.0	80.0	
40"		-	-	-	-	-	75.0	90.0	75.0	90.0	65.0	80.0	

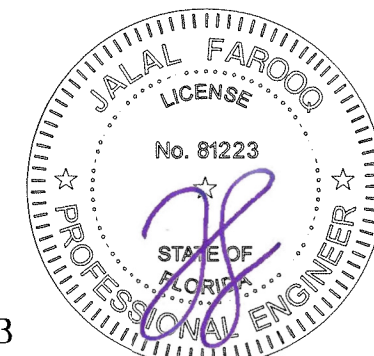
() = NO. OF ANCHORS PER JAMB

DESIGN LOAD CAPACITY - PSF FOR (XX) SIZES													
WINDOW DIMS.		SERIES 3062				SERIES 3000							
		GLASS TYPES 'A', 'B' 'C' OR 'D'		GLASS TYPES 'F' OR 'G'		GLASS TYPES 'A', 'B' OR 'C'		GLASS TYPE 'D'		GLASS TYPE 'E'		GLASS TYPES 'F' OR 'G'	
WIDTH	HEIGHT	EXT.(+)	1NT.(-)	EXT.(+)	1NT.(-)	EXT.(+)	1NT.(-)	EXT.(+)	1NT.(-)	EXT.(+)	1NT.(-)	EXT.(+)	1NT.(-)
26-1/2"	26" (3)	80.0	80.0	65.0	80.0	80.0	80.0	100.0	100.0	75.0	90.0	65.0	80.0
37"		80.0	80.0	65.0	80.0	80.0	80.0	100.0	100.0	75.0	90.0	65.0	80.0
53-1/8"		80.0	80.0	65.0	80.0	80.0	80.0	100.0	100.0	75.0	90.0	65.0	80.0
26-1/2"	38-3/8" (4)	80.0	80.0	65.0	80.0	80.0	80.0	100.0	100.0	75.0	90.0	65.0	80.0
37"		80.0	80.0	65.0	80.0	80.0	80.0	100.0	100.0	75.0	90.0	65.0	80.0
53-1/8"		80.0	80.0	65.0	80.0	80.0	80.0	100.0	100.0	75.0	90.0	65.0	80.0
26-1/2"	50-5/8" (5)	80.0	80.0	65.0	80.0	80.0	80.0	100.0	100.0	75.0	90.0	65.0	80.0
37"		80.0	80.0	65.0	80.0	80.0	80.0	100.0	100.0	75.0	90.0	65.0	80.0
53-1/8"		80.0	80.0	65.0	80.0	80.0	80.0	100.0	100.0	75.0	90.0	65.0	80.0
26-1/2"	63" (6)	80.0	80.0	65.0	80.0	80.0	80.0	100.0	100.0	75.0	90.0	65.0	80.0
37"		80.0	80.0	65.0	80.0	80.0	80.0	100.0	100.0	75.0	90.0	65.0	80.0
53-1/8"		80.0	80.0	65.0	80.0	80.0	80.0	100.0	100.0	75.0	90.0	65.0	80.0
24"	24" (3)	80.0	80.0	65.0	80.0	80.0	80.0	100.0	100.0	75.0	90.0	65.0	80.0
36"		80.0	80.0	65.0	80.0	80.0	80.0	100.0	100.0	75.0	90.0	65.0	80.0
48"		80.0	80.0	65.0	80.0	80.0	80.0	100.0	100.0	75.0	90.0	65.0	80.0
60"		80.0	80.0	65.0	80.0	80.0	80.0	100.0	100.0	75.0	90.0	65.0	80.0
24"	36" (4)	80.0	80.0	65.0	80.0	80.0	80.0	100.0	100.0	75.0	90.0	65.0	80.0
36"		80.0	80.0	65.0	80.0	80.0	80.0	100.0	100.0	75.0	90.0	65.0	80.0
48"		80.0	80.0	65.0	80.0	80.0	80.0	100.0	100.0	75.0	90.0	65.0	80.0
60"		80.0	80.0	65.0	80.0	80.0	80.0	100.0	100.0	75.0	90.0	65.0	80.0
24"	48" (5)	80.0	80.0	65.0	80.0	80.0	80.0	100.0	100.0	75.0	90.0	65.0	80.0
36"		80.0	80.0	65.0	80.0	80.0	80.0	100.0	100.0	75.0	90.0	65.0	80.0
48"		80.0	80.0	65.0	80.0	80.0	80.0	100.0	100.0	75.0	90.0	65.0	80.0
60"		80.0	80.0	65.0	80.0	80.0	80.0	100.0	100.0	75.0	90.0	65.0	80.0
24"	60" (6)	80.0	80.0	65.0	80.0	80.0	80.0	100.0	100.0	75.0	90.0	65.0	80.0
36"		80.0	80.0	65.0	80.0	80.0	80.0	100.0	100.0	75.0	90.0	65.0	80.0
48"		80.0	80.0	65.0	80.0	80.0	80.0	100.0	100.0	75.0	90.0	65.0	80.0
60"		80.0	80.0	65.0	80.0	80.0	80.0	100.0	100.0	75.0	90.0	65.0	80.0
24"	63" (6)	80.0	80.0	65.0	80.0	80.0	80.0	100.0	100.0	75.0	90.0	65.0	80.0
36"		80.0	80.0	65.0	80.0	80.0	80.0	100.0	100.0	75.0	90.0	65.0	80.0
48"		80.0	80.0	65.0	80.0	80.0	80.0	100.0	100.0	75.0	90.0	65.0	80.0
60"		80.0	80.0	65.0	80.0	80.0	80.0	100.0	100.0	75.0	90.0	65.0	80.0
72"		79.6	79.6	65.0	79.6	80.0	80.0	100.0	100.0	75.0	80.6	65.0	80.0

() = NO. OF ANCHORS PER JAMB

NOTE:
GLASS CAPACITIES ON THIS SHEET ARE
BASED ON ASTM E1300-09 (3 SEC. GUSTS)
AND FLORIDA BUILDING COMMISSION
DECLARATORY STATEMENT DCA05-DEC-219

Sealed: 12/18/2023



FL #17863

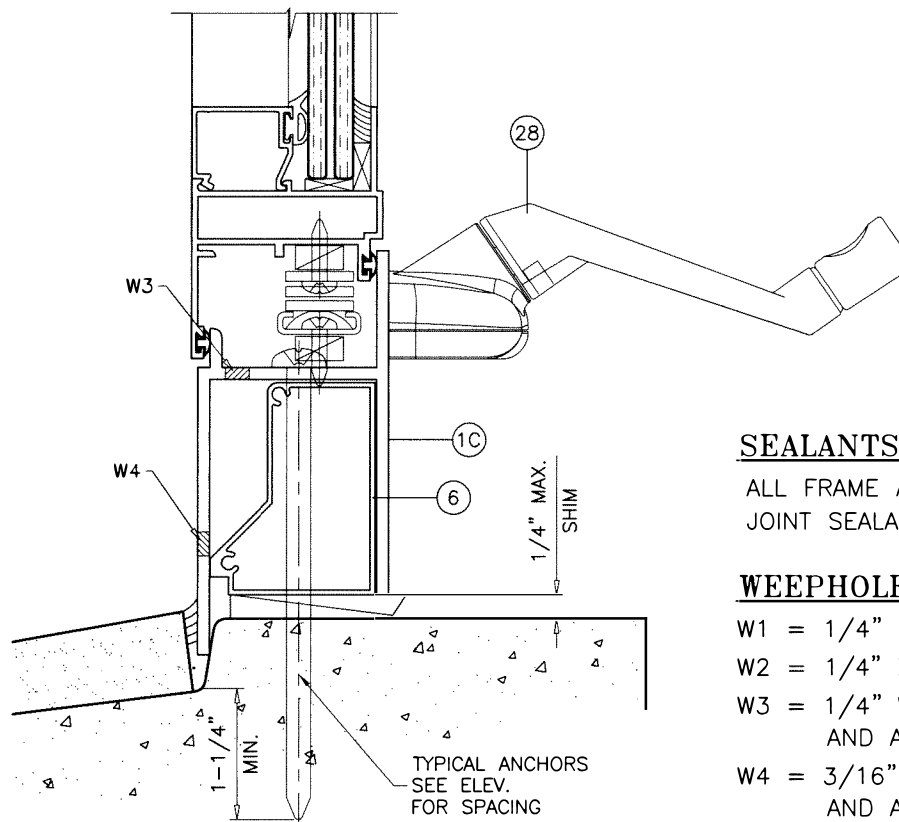
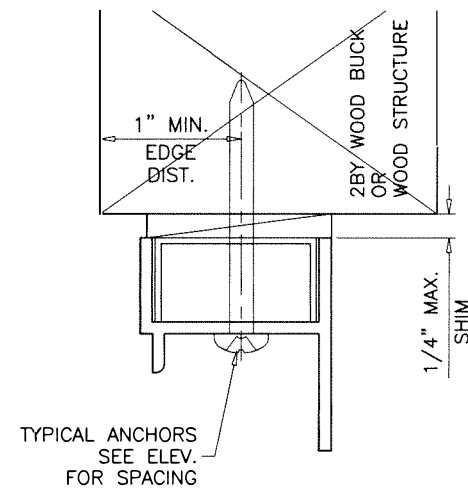
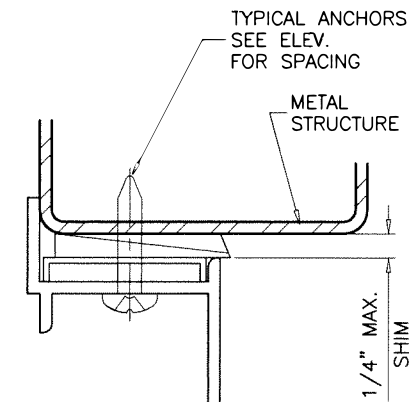
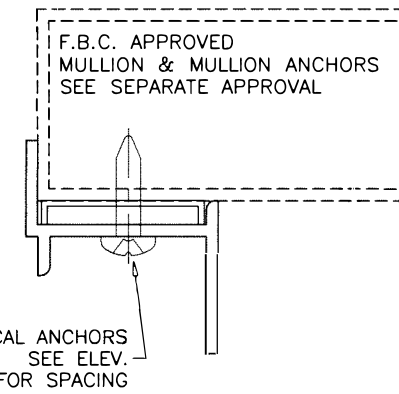
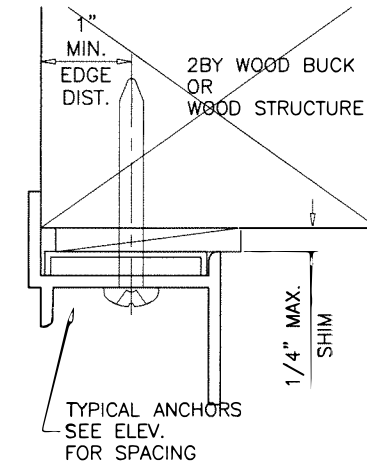
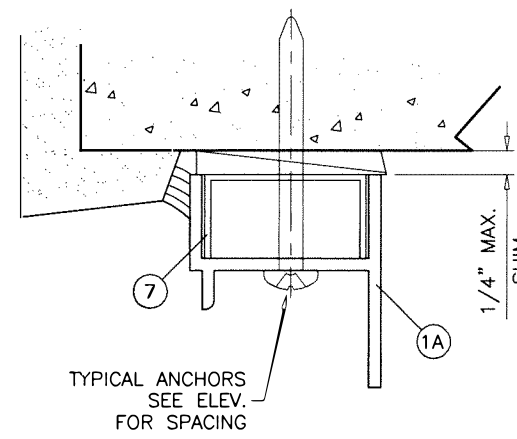
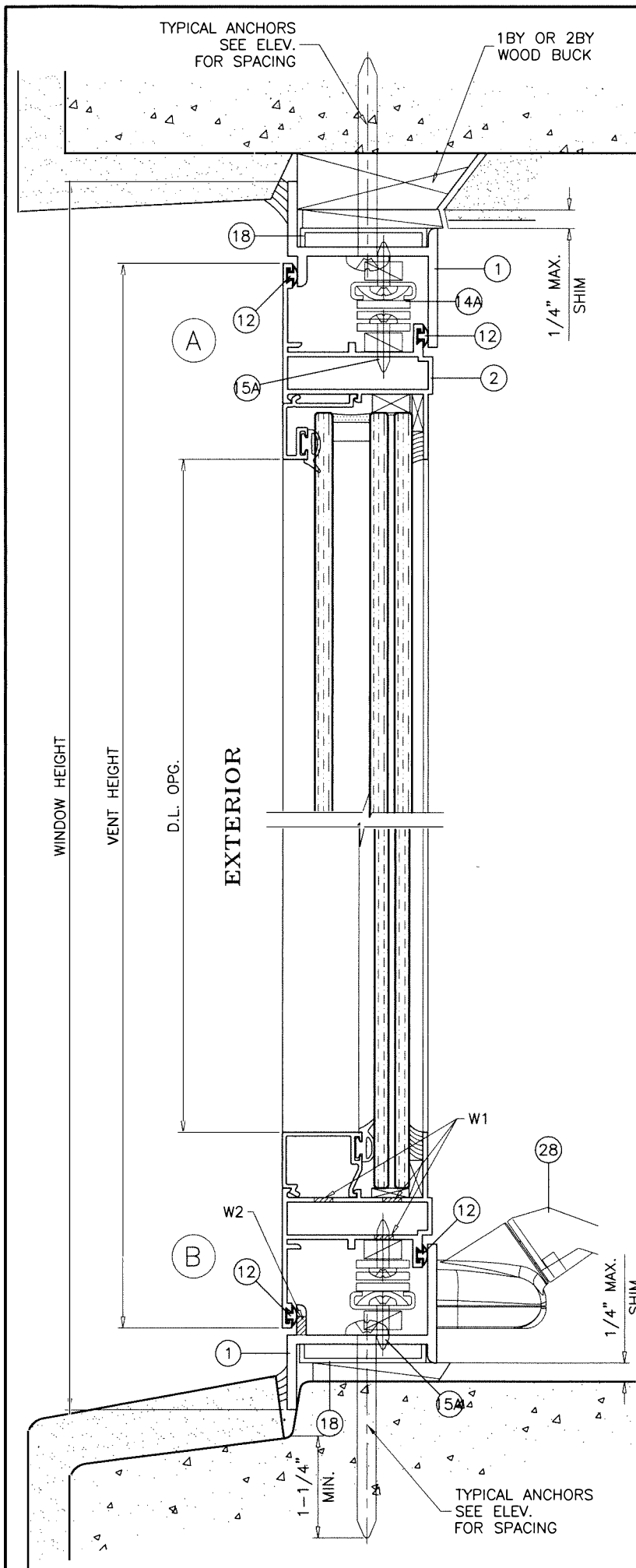
af c
AL-FAROOQ CORPORATION
ENGINEERS & PRODUCT DEVELOPMENT
9360 SUNSET DRIVE, SUITE 220
MIAMI, FLORIDA 33173 (C.A.N. 3538)
TEL. (305) 264-8100 FAX. (305) 262-6978
COMP-ANL W15-20SAT

SERIES 3000/3062 ALUM CASEMENT WDW. (L.M.I.)
SOL-A-TROL ALUMINUM PRODUCTS INC.
4101 N.W. 132ND STREET
MIAMI, FL. 33054
TEL. (305) 681-2020 FAX. (305) 681-2035

revisions:	no	date	by	description

date: 05-07-15
scale: 1/2" = 1"
dr. by: HAMID
chk. by:

drawing no.
W15-20
sheet 4 of 11



FLANGE AND EQUAL LEG FRAMES CAN BE USED AT ALL ANCHORAGE CONDITIONS.

WOOD BUCKS AND METAL STRUCTURE NOT BY 'SOL-A-TROL' MUST SUSTAIN LOADS IMPOSED BY GLAZING SYSTEM AND TRANSFER THEM TO THE BUILDING STRUCTURE.

SERIES 3062

TYPICAL ANCHORS: SEE ELEV. FOR SPACING
1/4" DIA. ULTRACON+ BY 'DEWALT' (Fu=164 KSI, Fy=148 KSI)
 INTO 2BY WOOD BUCKS OR WOOD STRUCTURES
 1-1/2" MIN. PENETRATION INTO WOOD (HEAD/SILL/JAMBS)
 THRU 1BY OR 2BY BUCKS INTO CONC. OR BLOCKS
 1-1/4" MIN. EMBED INTO CONCRETE (HEAD/SILL/JAMBS)
 1-1/4" MIN. EMBED INTO BLOCKS (JAMBS)
 DIRECTLY INTO CONCRETE OR BLOCKS
 1-1/4" MIN. EMBED INTO CONCRETE (HEAD/SILL/JAMBS)
 1-1/4" MIN. EMBED INTO BLOCKS (JAMBS)

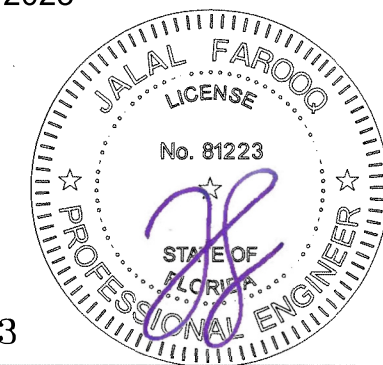
#14 SMS OR SELF-DRILLING SCREWS (GRADE 2 CRS)
 INTO F.B.C. APPROVED MULLIONS
 AND
 INTO METAL STRUCTURES (HEAD/SILL/JAMBS)
 (3) THREADS MIN. TO EXTEND BEYOND METAL THICKNESS
 ALUMINUM: 1/8" THK. MIN. (6063-T5 MIN.)
 STEEL: 1/8" THK. MIN. (Fy = 36 KSI MIN.)
 (STEEL IN CONTACT WITH ALUMINUM TO BE PLATED OR PAINTED)

CRITICAL EDGE DISTANCE
 INTO CONCRETE AND BLOCKS = 2-1/2" MIN.
 INTO WOOD STRUCTURE = 1" MIN.
 INTO METAL STRUCTURE = 3/4" MIN.

WOOD AT HEAD, SILL OR JAMBS SG = 0.55 MIN.
 CONCRETE AT HEAD, SILL OR JAMBS f'c = 3000 PSI MIN.
 C-90 HOLLOW/FILLED BLOCK AT JAMBS f'm = 2000 PSI MIN.

SEALANTS:
 ALL FRAME AND VENT CORNERS SEALED WITH Sealed: 12/18/2023
 JOINT SEALANT.

WEEPHOLES:
 W1 = 1/4" DIA. WEEP HOLES AT 7" FROM EACH END
 W2 = 1/4" X 3/8" WEEP SLOT AT 7" FROM EACH END
 W3 = 1/4" WEEP HOLES AT 6" FROM EACH END
 AND AT CENTERLINE
 W4 = 3/16" X 1" WEEP SLOT AT 6" FROM EACH END
 AND AT CENTERLINE



FL #17863

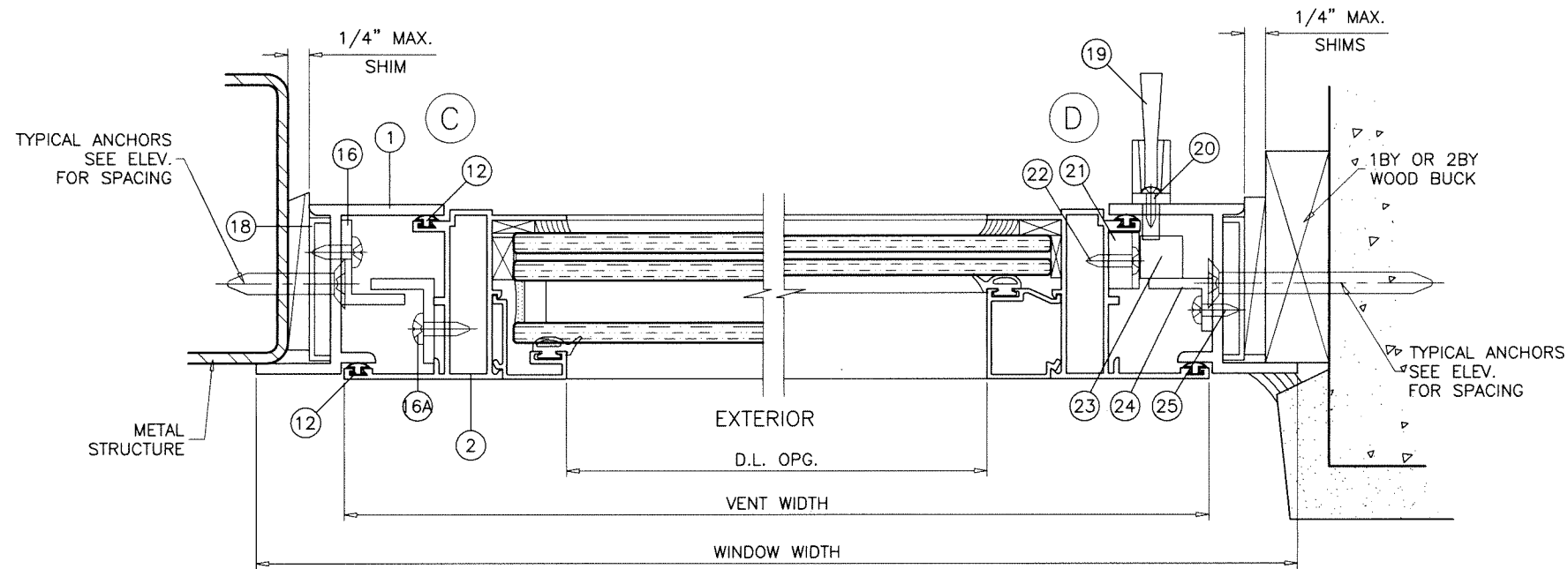
af c
AL-FAROOQ CORPORATION
 ENGINEERS & PRODUCT DEVELOPMENT
 9360 SUNSET DRIVE, SUITE 220
 MIAMI, FLORIDA 33173 (C.A.N. 3538)
 TEL. (305) 264-8100 FAX. (305) 262-6978
 COMP-ANL W15-20SAT

SERIES 3000/3062 ALUM CASEMENT WD.W. (L.M.I.)
SOL-A-TROL ALUMINUM PRODUCTS INC.
 4101 N.W. 132ND STREET
 MIAMI, FL. 33054
 TEL. (305) 681-2020 FAX. (305) 681-2035

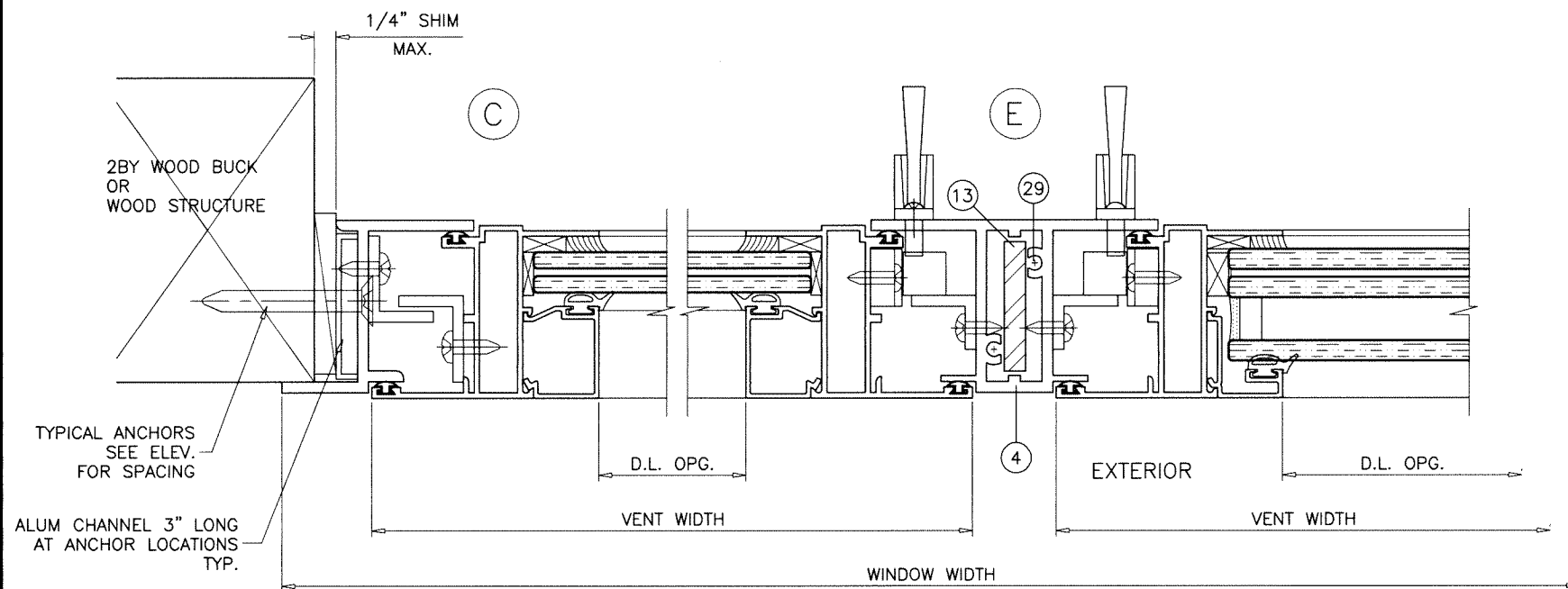
revisions:	no	date	by	description

date: 05-07-15
 scale: 1/2" = 1"
 dr. by: HAMID
 chk. by:

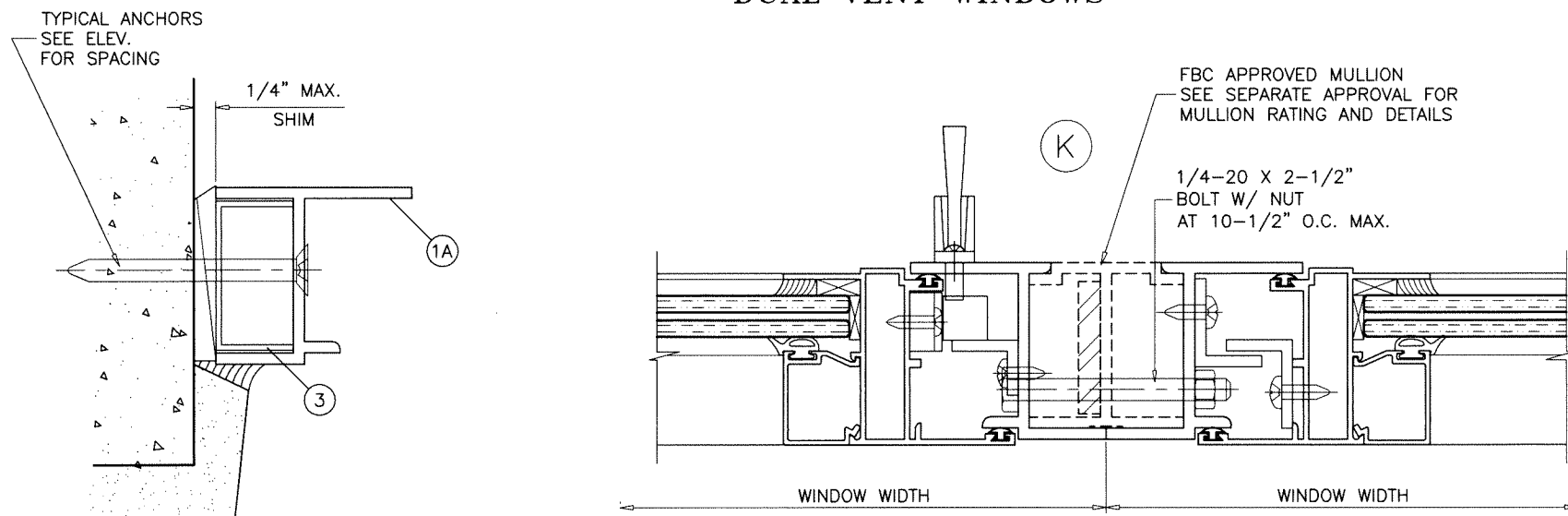
drawing no.
W15-20
 sheet 5 of 11



SINGLE VENT WINDOWS



DUAL VENT WINDOWS

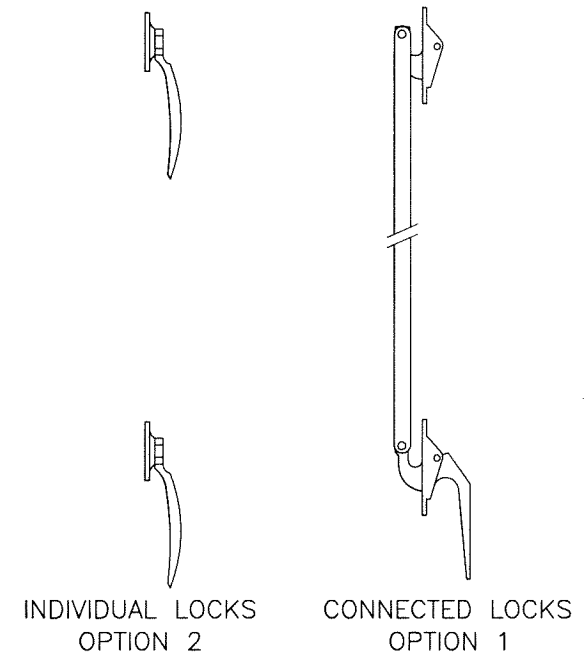


HINGE:

- OPTION 1: 4 BAR ST. STEEL HINGE PART #34-16
TWO PER VENT
INSTALLED WITH (6) #10 X 3/4" PH MS
- OPTION 2: 5-KNUCKLE ALUMINUM BUTT HINGES PART #0170
TWO PER VENT
INSTALLED WITH 1/4" X 3/4" PH SMS 6/HINGE

LOCKS:

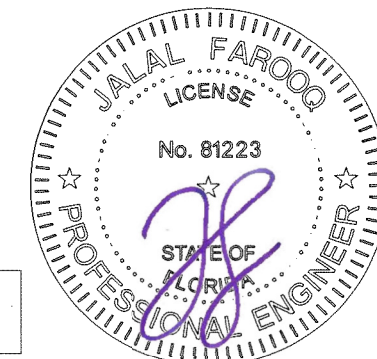
- OPTION 1: TWO POINT CONCEALED LOCK PART #1735
BY MELRON CORP.
INSTALLED WITH #10 X 1/2" PH SMS
- OPTION 2: CAM LOCK AND KEEPER PART #798L/799R AND 5824
BY MELRON CORP.
2 PER VENT FOR WINDOWS UPTO 38-3/8" HEIGHTS
3 PER VENT FOR WINDOWS ABOVE 38-3/8" HEIGHTS
INSTALLED WITH #8 X 1/2" PH SMS 2/ LOCK



HINGES AND LOCKS CAN BE USED IN ANY COMBINATIONS

Sealed: 12/18/2023

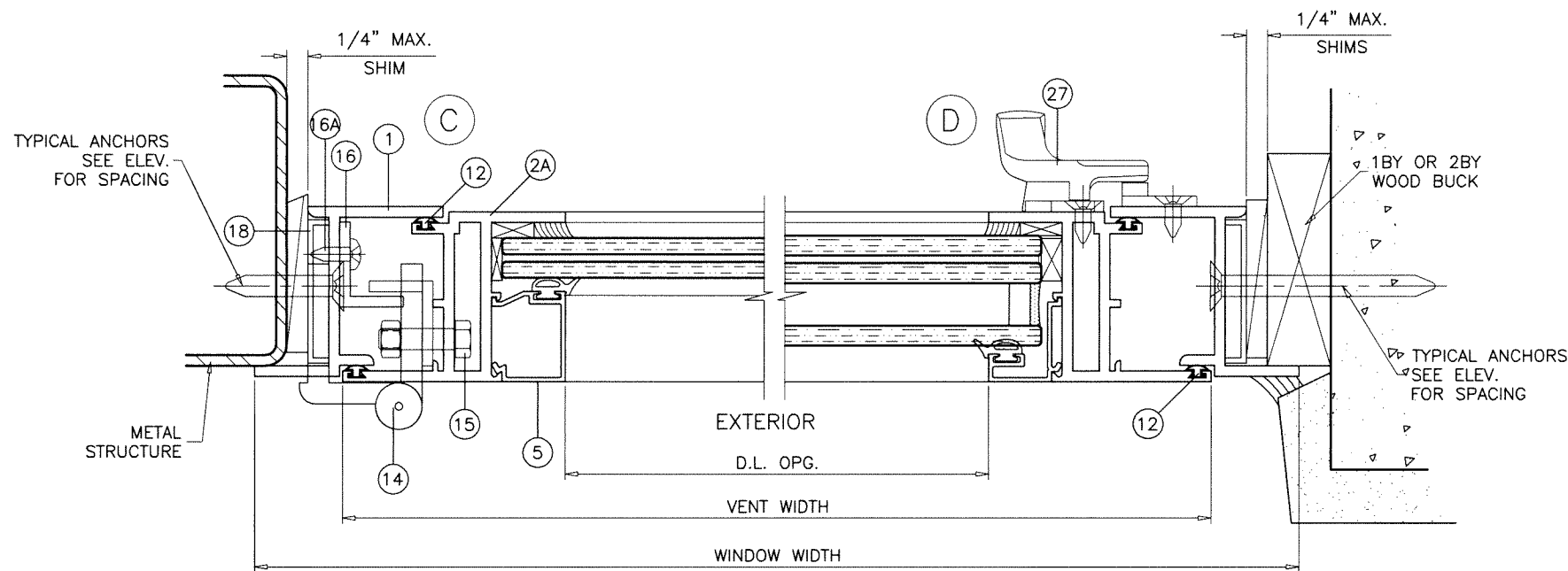
SERIES 3062



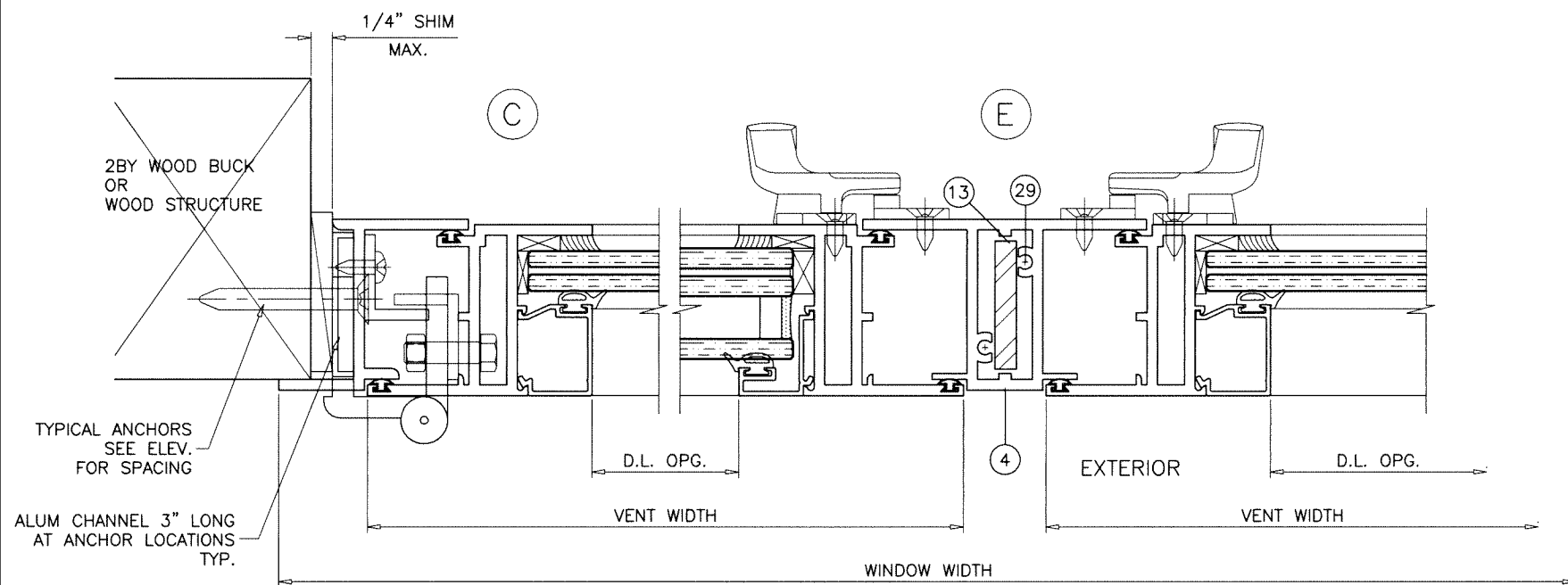
af c
AL-FAROOQ CORPORATION
 ENGINEERS & PRODUCT DEVELOPMENT
 9360 SUNSET DRIVE, SUITE 220 (C.A.N. 3538)
 MIAMI, FLORIDA 33173
 TEL. (305) 264-8100 FAX. (305) 262-6978
 COMP-ANL W15-20SAT

SERIES 3000/3062 ALUM CASEMENT WDW. (L.M.I.)
SOL-A-TROL ALUMINUM PRODUCTS INC.
 4101 N.W. 132ND STREET
 MIAMI, FL. 33054
 TEL. (305) 681-2020 FAX. (305) 681-2035

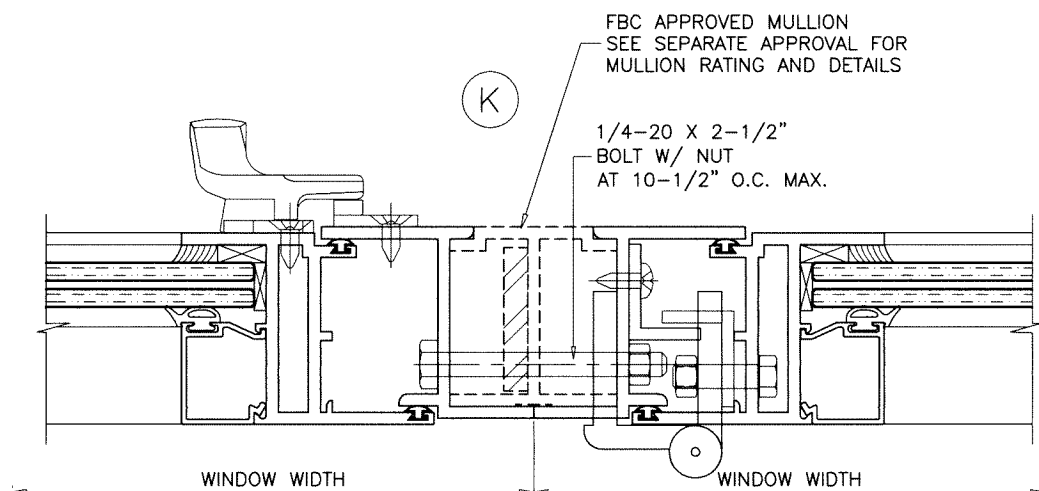
revisions:	no	date	by	description
date:	05-07-15	scale:	1/2" = 1"	
dr. by:	HAMID	chk. by:		
drawing no.	W15-20			
sheet	6 of 11			



SINGLE VENT WINDOWS



DUAL VENT WINDOWS



HINGE:

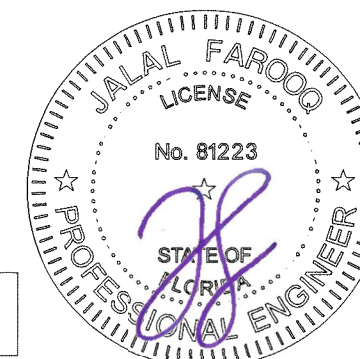
5-KNUCKLE ALUMINUM BUTT HINGES PART #0170
TWO PER VENT
INSTALLED WITH 1/4" X 3/4" PH SMS 6/HINGE

LOCKS:

CAM LOCK AND KEEPER PART #798L/799R AND 5824
BY MELRON CORP.
2 PER VENT FOR WINDOWS UPTO 38-3/8" HEIGHTS
3 PER VENT FOR WINDOWS ABOVE 38-3/8" HEIGHTS
INSTALLED WITH #8 X 1/2" PH SMS 2/ LOCK

Sealed: 12/18/2023

SERIES 3000

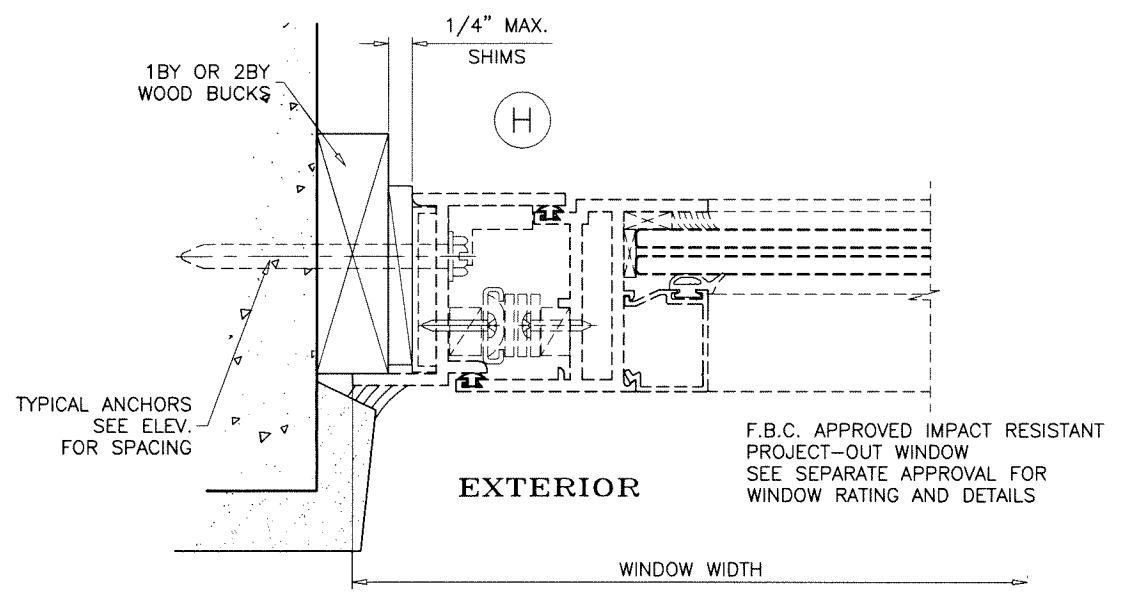
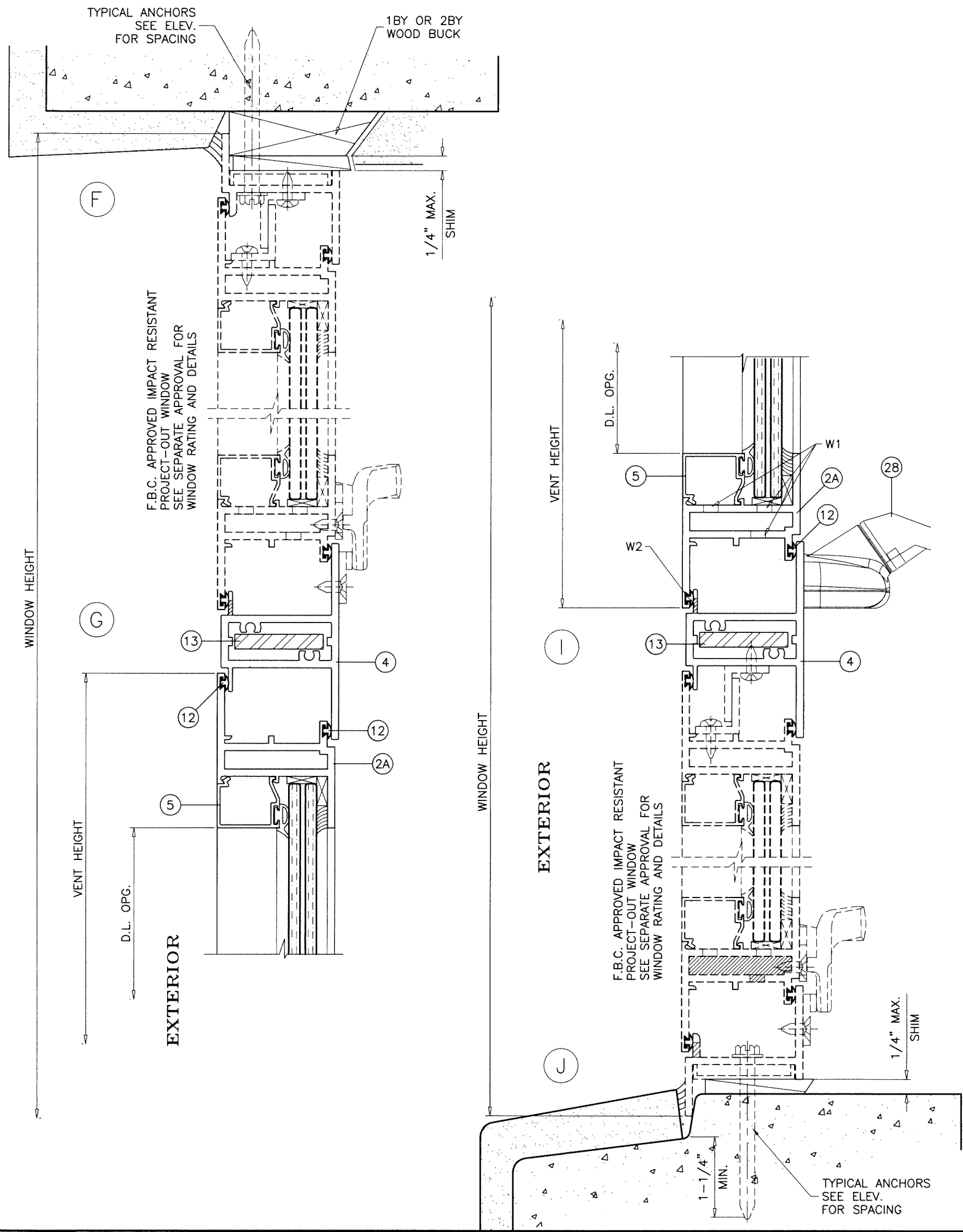


FL #17863

afc
AL-FAROOQ CORPORATION
ENGINEERS & PRODUCT DEVELOPMENT
9360 SUNSET DRIVE, SUITE 220
MIAMI, FLORIDA 33173 (C.A.N. 3538)
TEL. (305) 264-8100 FAX. (305) 262-6978
COMP-ANL \ W15-20SAT

SERIES 3000/3062 ALUM CASEMENT WDW. (L.M.I.)
SOL-A-TROL ALUMINUM PRODUCTS INC.
4101 N.W. 132ND STREET
MIAMI, FL. 33054
TEL. (305) 681-2020 FAX. (305) 681-2035

revisions:	no	date	by	description
date:	05-07-15	scale:	1/2" = 1"	
dr. by:	HAMID	chk. by:		
drawing no.	W15-20			
sheet	8 of 11			



Sealed: 12/18/2023

SERIES 3000 FL #17863

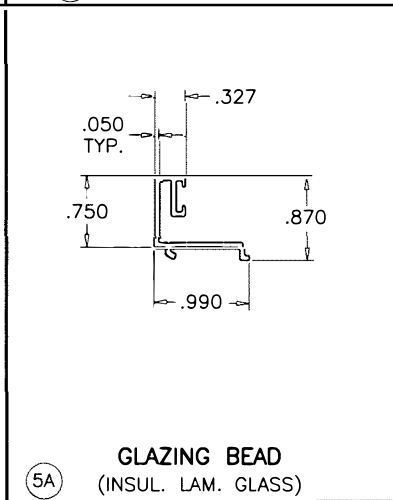
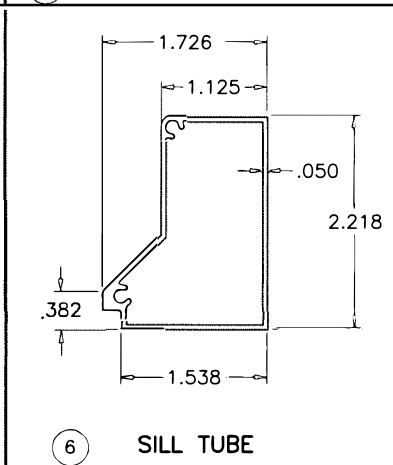
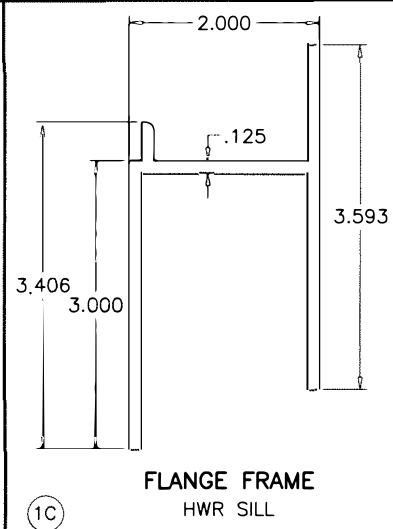
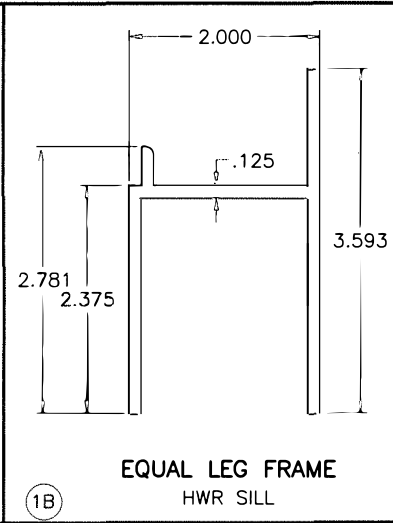
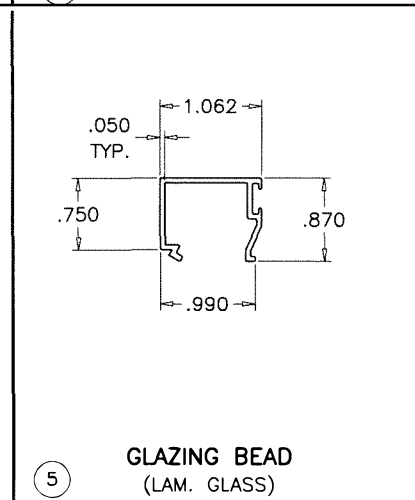
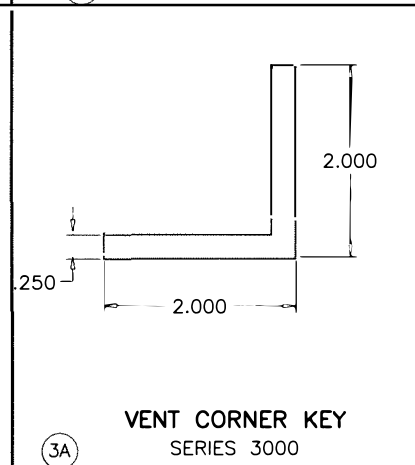
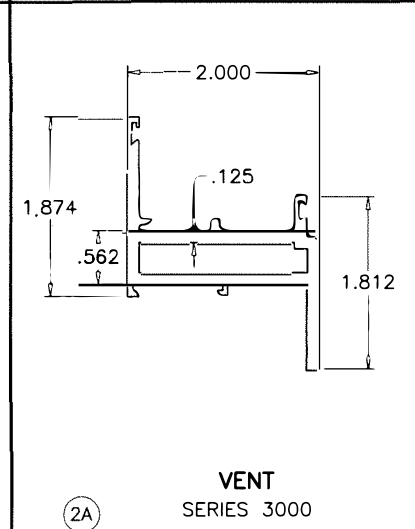
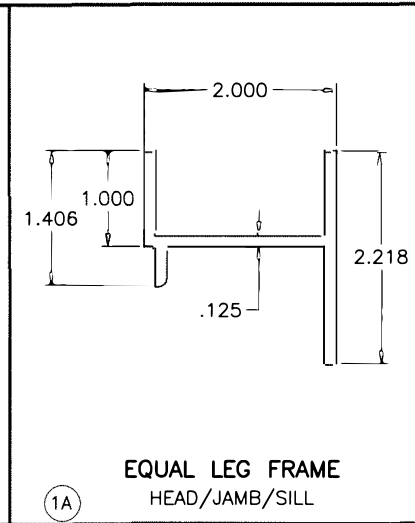
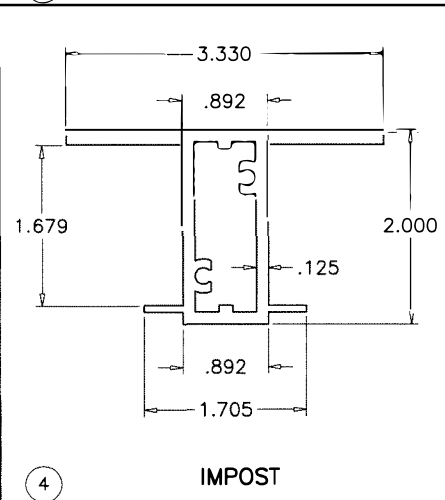
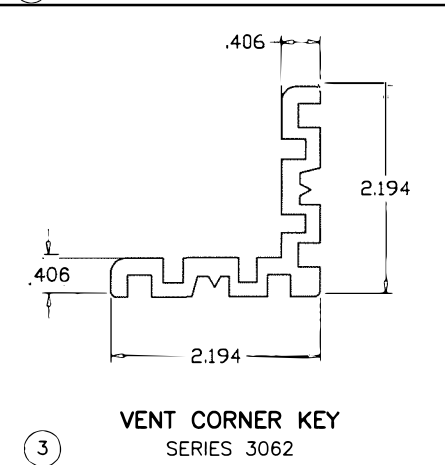
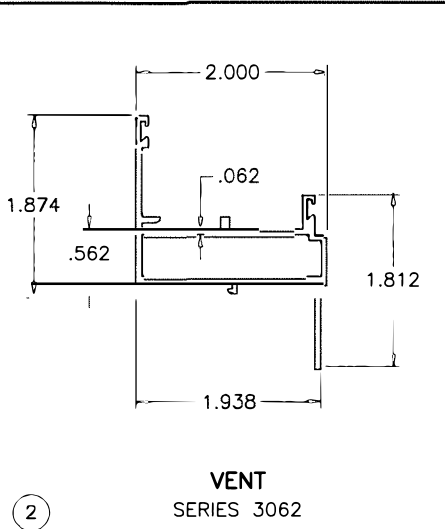
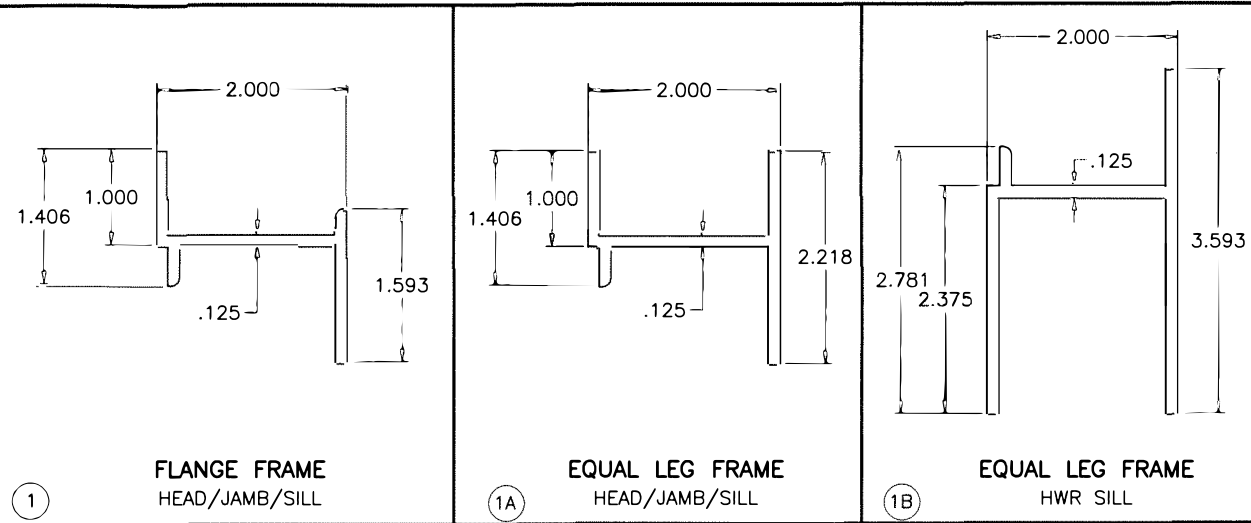


afc
AL-FAROOQ CORPORATION
 ENGINEERS & PRODUCT DEVELOPMENT
 9360 SUNSET DRIVE, SUITE 220
 MIAMI, FLORIDA 33173 (C.A.N. 3538)
 TEL. (305) 264-8100 FAX. (305) 262-6978
 COMP-ANL\W15-20SAT

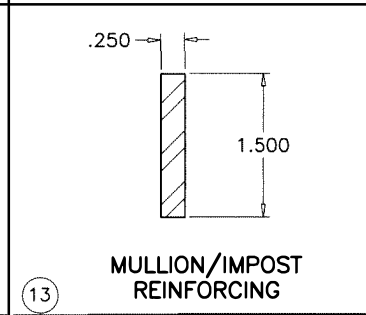
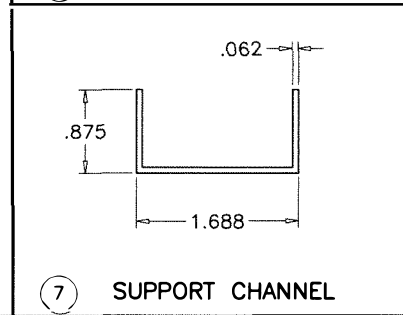
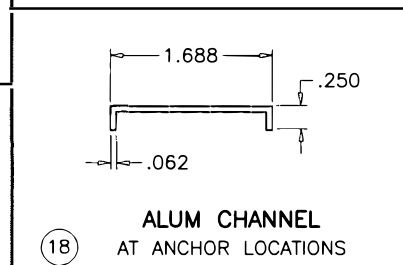
SERIES 3000/3062 ALUM CASEMENT WDW. (L.M.I.)
SOL-A-TROL ALUMINUM PRODUCTS INC.
 4101 N.W. 132ND STREET
 MIAMI, FL. 33054
 TEL. (305) 681-2020 FAX. (305) 681-2035

revisions:	
no	date by description

date: 05-07-15	scale: 1/2" = 1"	dr. by: HAMID	chk. by:
drawing no. W15-20			
sheet 9 of 11			

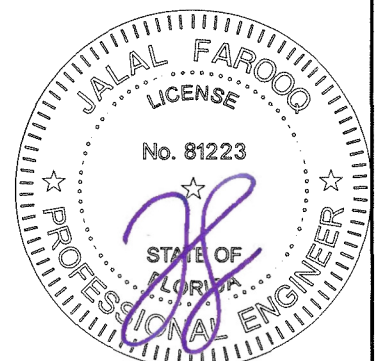


ITEM	PART #	QUANTITY	DESCRIPTION	MATERIAL	MANF./SUPPLIER/REMARKS
1	ARSO-127	4	FLANGE FRAME (HEAD/JAMB/SILL)	6063-T5	-
1A	ARSO-142	4	EQUAL LEG FRAME (HEAD/JAMB/SILL)	6063-T5	-
1B	ARSO-314	1	EQUAL LEG FRAME (HWR SILL)	6063-T5	-
1C	ARSO-315	1	FLANGE FRAME (HWR SILL)	6063-T5	-
2	ARSO-176	4	VENT (SERIES 3062)	6063-T5	-
2A	ARSO-105	4	VENT (SERIES 3000)	6063-T5	-
3	ARSO-173	1/ CORNER	VENT CORNER KEY (SERIES 3062)	6063-T5	-
3A	-	-	VENT CORNER KEY (SERIES 3000)	-	-
4	ARSO-184	AS REQD.	IMPOST	6063-T5	-
5	ARSO-169	4	GLAZING BEAD (LAM. GLASS)	6063-T5	-
5A	ARSO-993	4	GLAZING BEAD (INSUL. LAM. GLASS)	6063-T5	-
6	ARSO-313	AS REQD.	SILL TUBE	6063-T5	-
7	-	AS REQD.	SUPPORT CHANNEL, 3" LONG	3003-H14	AT ANCHOR LOCATIONS
9	TR8384E	AS REQD.	GLAZING GASKET (LAM. GLASS)	EPDM	TREMCO, DUROMETER 60±5
10	326-RP-142B	-	SIDE BLOCK (1/2" X 1/4" X FULL LENGTH)	EPDM	PROTOTYPE PLASTICS, DURO 80±5
10A	-	-	SIDE BLOCK (1/2" X 1/8" X FULL LENGTH)	EPDM	PROTOTYPE PLASTICS, DURO 80±5
11	326-FP-808B	AS REQD.	SETTING BLOCK (1/2" X 1/8" X 2") @ QUARTER POINTS	EPDM	PROTOTYPE PLASTICS, DURO 80±5
11A	-	AS REQD.	SETTING BLOCK (1/2" X 1/4" X 2") @ QUARTER POINTS	EPDM	PROTOTYPE PLASTICS, DURO 80±5
12	326-FP-261AB	AS REQD.	BULB WEATHER STRIPPING	VINYL	PROTOTYPE PLASTICS
13	-	AS REQD.	MULLION/IMPOST REINFORCING	STEEL	ASTM A36, Fy 36 KSI
14	0170	2/ VENT	5-KNUCKLE BUTT HINGE	ALUMINUM	MELRON CORP.
14A	34-16	2/ VENT	4 BAR HINGE	ST. STEEL	-
15	1/4 X 3/4"	6/ HINGE	BUTT HINGE INSTALLATION SCREWS	ST. STEEL	PH SMS
15A	#10 X 3/4"	6/ HINGE	4 BAR HINGE INSTALLATION SCREWS	ST. STEEL	PH MS
16	-	6/ VENT	SNUBBER ANGLE 3/4" X 1" X 1/8" X 7-3/4" LONG	6063-T5	-
17	#10 X 1/2"	2/ ANGLE	SNUBBER ANGLE INSTALLATION SCREWS	-	PH SMS
18	-	AS REQD.	ALUMINUM CHANNEL, 3" LONG	3003-H14	AT ANCHOR LOCATIONS
19	1735	1/ VENT	TWO POINT CONCEALED LOCK	BRONZE	MELRON CORP.
20	#10 X 1/2"	4/ VENT	LOCK INSTALLATION SCREWS	ST. STEEL	PH SMS
21	SM-SSK1	4/ VENT	KEEPER	ST. STEEL	SOL-A-TROL
22	#10 X 5/8"	4/ VENT	KEEPER INSTALLATION SCREWS	ST. STEEL	PH SMS
23	1/2" X 1/2"	1/ VENT	35 11/16" LONG LOCKING BAR	6063-T5	-
24	5/8" X 3/4"	2/ VENT	ALUM ANGLE 2" LONG, 1/8" THK.	6063-T5	-
25	#10 X 1/2"	4/ VENT	ANGLE INSTALLATION SCREWS	ST. STEEL	PH SMS
27	798L/799R & 5824	AS REQD.	CAM LOCK & KEEPER @ CENTER & 8-3/4" FROM ENDS	BRONZE	MELRON CORP.
28	105	OPTIONAL	CRANK OPERATOR	ZINC	SOUTHERN DIE CASTING
29	#10 X 1-1/2"	2/ CORNER	IMPOST ASSEMBLY SCREWS	-	PH SMS



Sealed: 12/18/2023

FL #17863

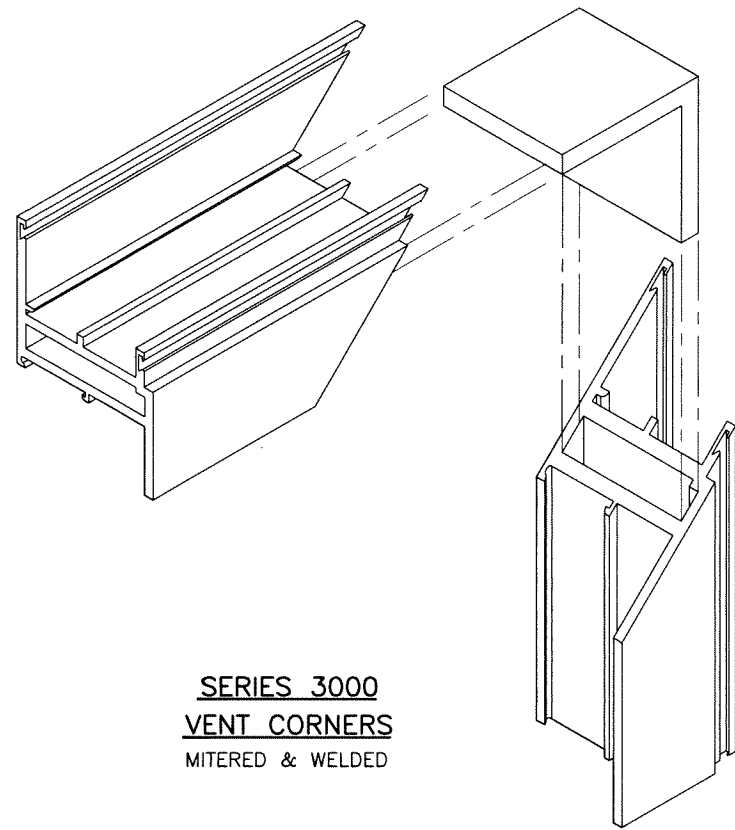


AL-FAROOQ CORPORATION
 ENGINEERS & PRODUCT DEVELOPMENT
 9360 SUNSET DRIVE, SUITE 220
 MIAMI, FLORIDA 33173 (C.A.N. 3538)
 TEL. (305) 264-8100 FAX. (305) 262-6978
 COMP-ANL\W15-20SAT

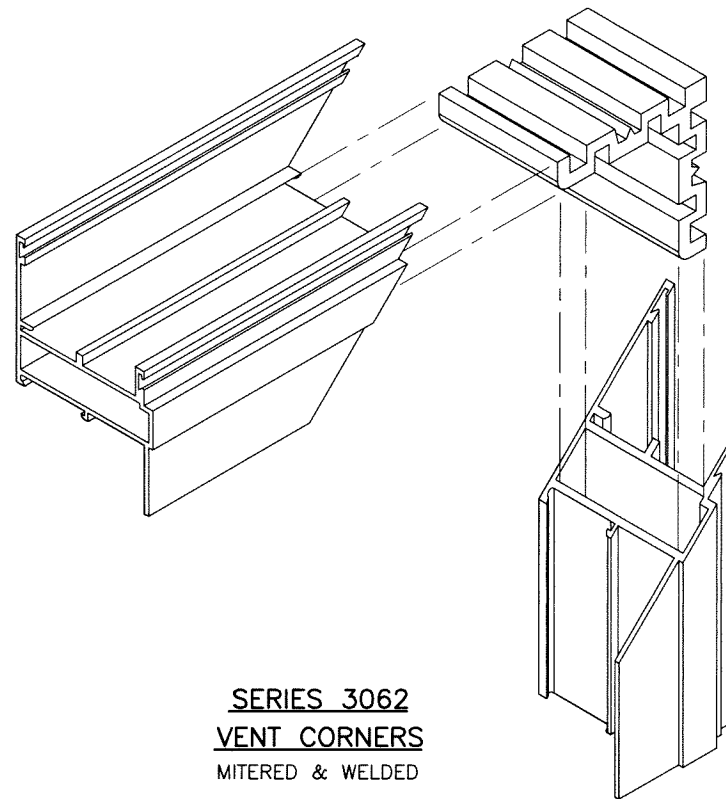
SERIES 3000/3062 ALUM CASEMENT WDW. (L.M.I.)
SOL-A-TROL ALUMINUM PRODUCTS INC.
 4101 N.W. 132ND STREET
 MIAMI, FL. 33054
 TEL. (305) 681-2020 FAX. (305) 681-2035

no	date	description

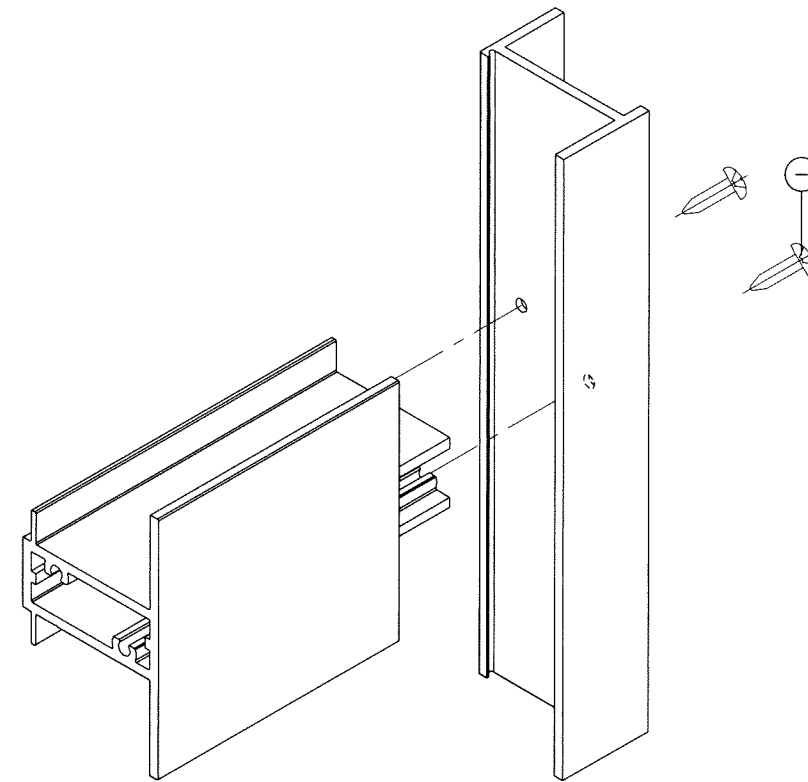
date: 05-07-15
 scale: 1/2" = 1"
 dr. by: HAMID
 chk. by:
 drawing no.
W15-20
 sheet 10 of 11



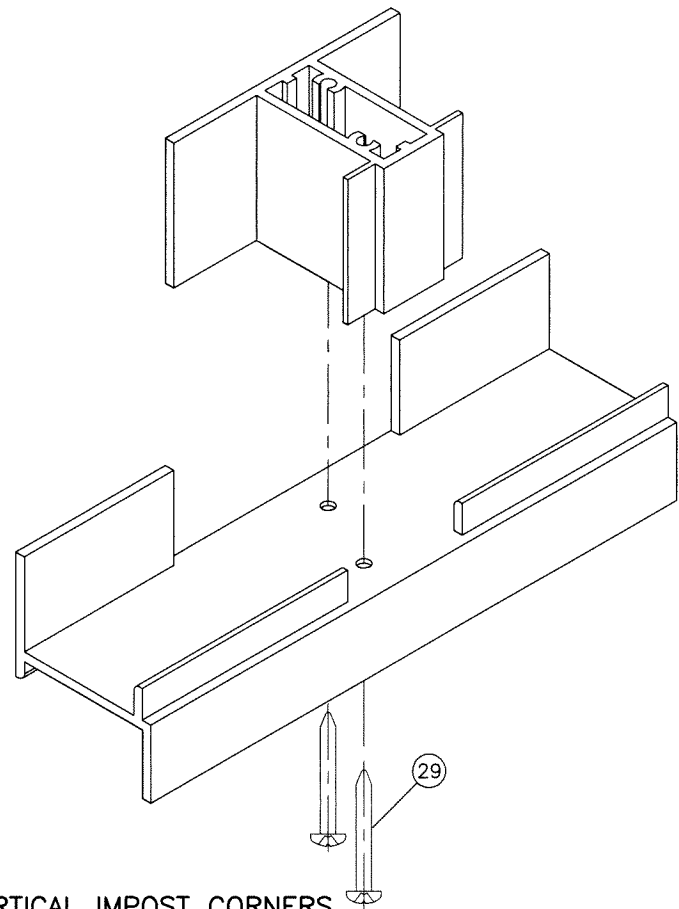
SERIES 3000
VENT CORNERS
MITERED & WELDED



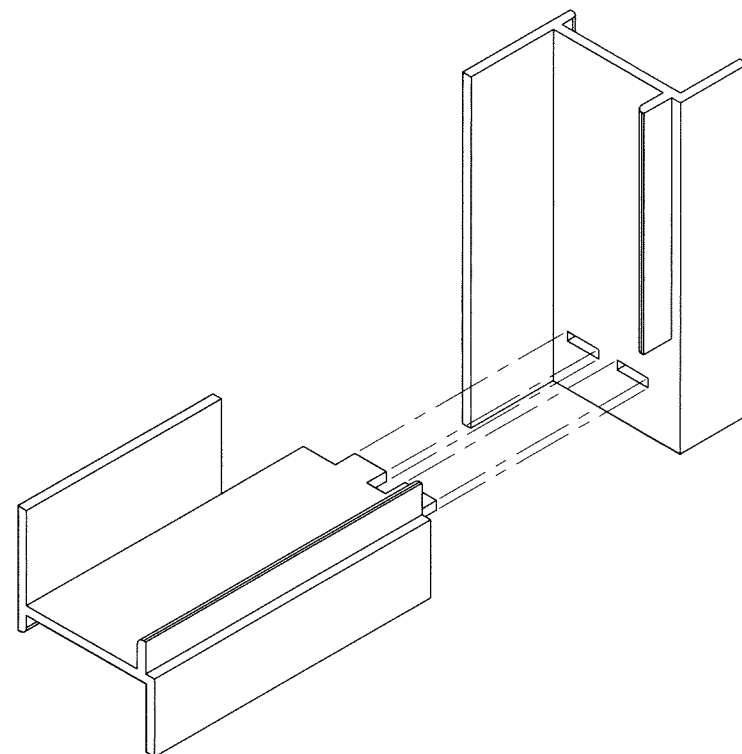
SERIES 3062
VENT CORNERS
MITERED & WELDED



HORIZONTAL IMPOST CORNERS



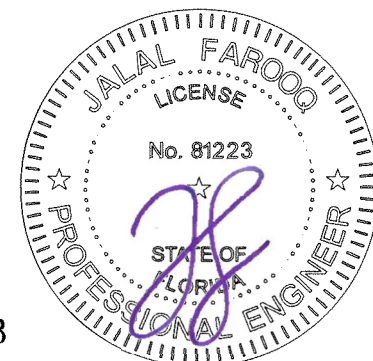
VERTICAL IMPOST CORNERS



FRAME CORNERS
STAKED MORTISE AND TENON FABRICATION

Sealed: 12/18/2023

FL #17863



afc

AL-FAROOQ CORPORATION
ENGINEERS & PRODUCT DEVELOPMENT
9360 SUNSET DRIVE, SUITE 220
MIAMI, FLORIDA 33173 (C.A.N. 3538)
TEL. (305) 264-8100 FAX. (305) 262-6978
COMP-ANL\W15-20SAT

SERIES 3000/3062 ALUM CASEMENT WDW. (L.M.I.)

SOL-A-TROL ALUMINUM PRODUCTS INC.
4101 N.W. 132ND STREET
MIAMI, FL. 33054
TEL. (305) 681-2020 FAX. (305) 681-2035

revisions:	no	date	by	description

date: 05-07-15
scale: 1/2" = 1"
dr. by: HAMID
chk. by:

drawing no.
W15-20

sheet 11 of 11