

SERIES: 535
 ALUMINUM IMPACT
 SINGLE HUNG WINDOWS

GLAZING: $\frac{9}{16}$ " or $\frac{7}{16}$ "
 LAMINATED IMPACT GLASS

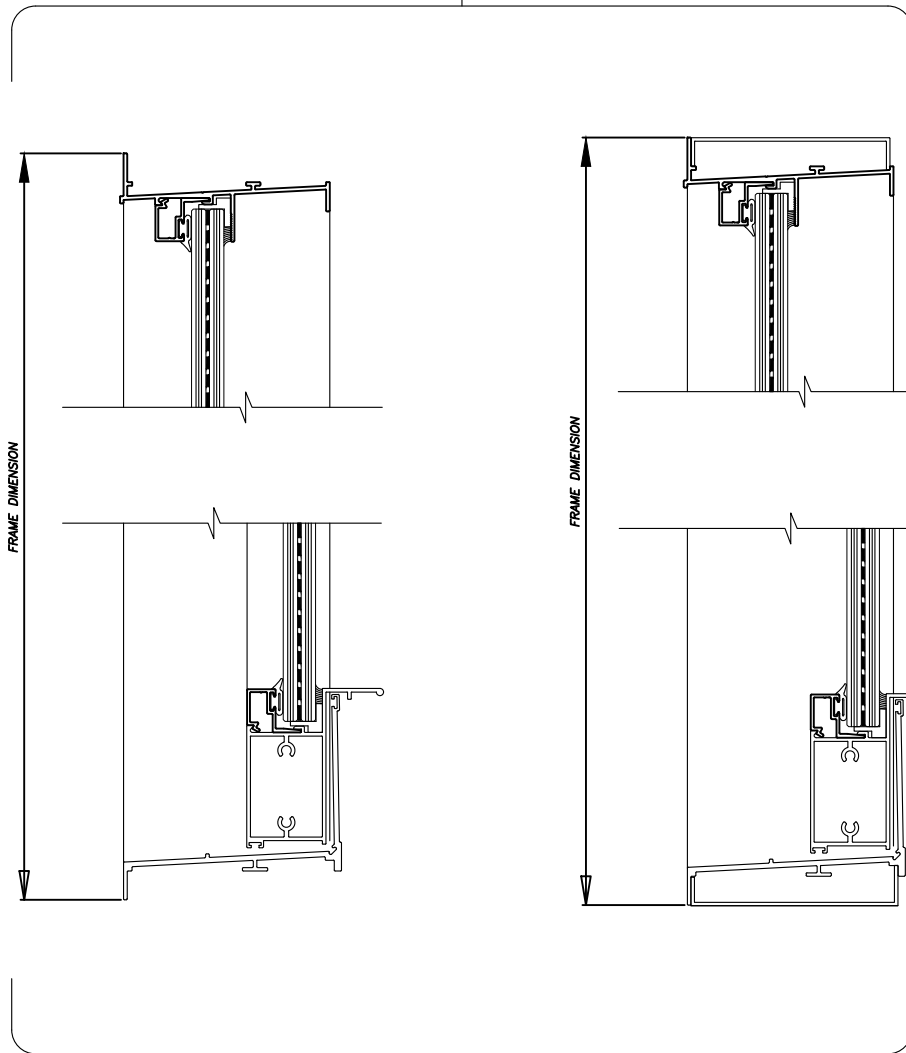


SOL-A-TROL

aluminum products
 4101 N.W. 132nd Street
 Miami, Florida 33054
 Phone: (305) 681-2020
 Fax: (305) 681-2035

1

FLANGE
FRAME



EQUAL
LEG
FRAME

2

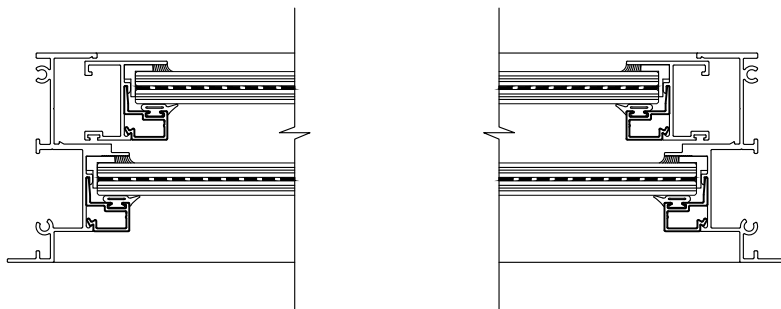
SERIES: 535
ALUMINUM IMPACT
SINGLE HUNG WINDOWS

GLAZING: $\frac{9}{16}$ " or $\frac{7}{16}$ "
LAMINATED IMPACT GLASS



SOL-A-TROL

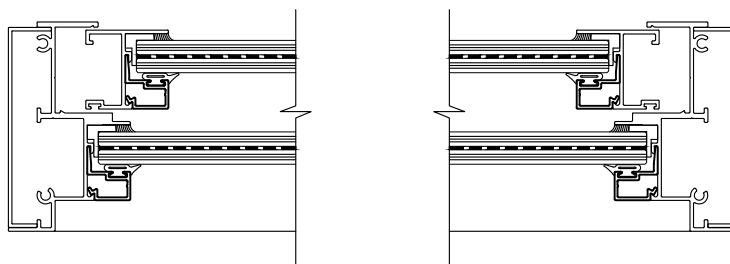
aluminum products
4101 N.W. 132nd Street
Miami, Florida 33054
Phone: (305) 681-2020
Fax: (305) 681-2035



FLANGE
FRAME

3

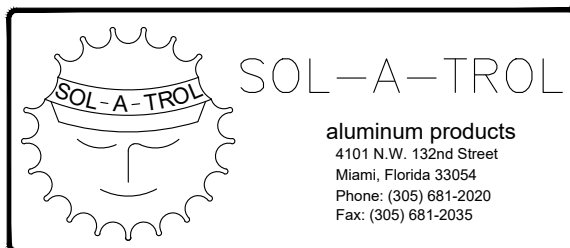
4



EQUAL
LEG
FRAME

SERIES: 535
ALUMINUM IMPACT
SINGLE HUNG WINDOWS

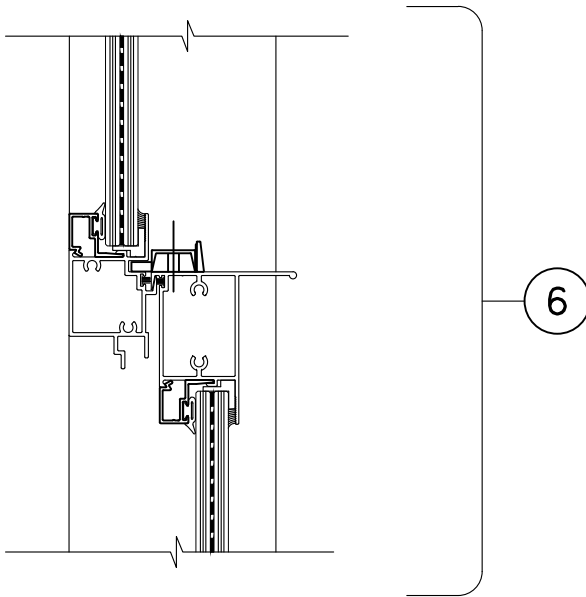
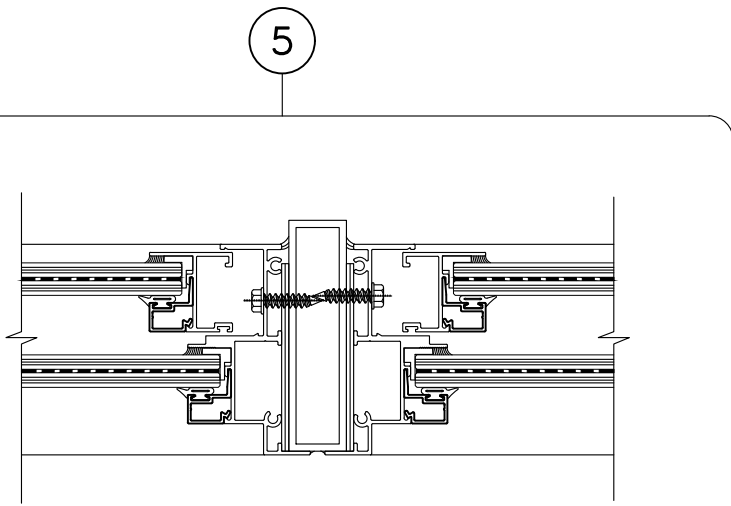
GLAZING: $\frac{9}{16}$ " or $\frac{7}{16}$ "
LAMINATED IMPACT GLASS



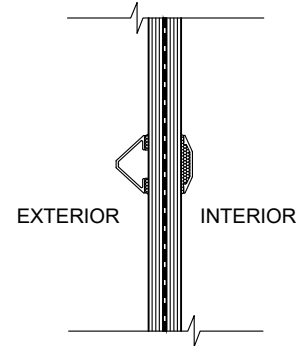
SOL-A-TROL

aluminum products
4101 N.W. 132nd Street
Miami, Florida 33054
Phone: (305) 681-2020
Fax: (305) 681-2035

TUBE
MULL



7
APPLIED
MUNTINS



SERIES: 535
ALUMINUM IMPACT
SINGLE HUNG WINDOWS

GLAZING: $\frac{9}{16}$ " or $\frac{7}{16}$ "
LAMINATED IMPACT GLASS

