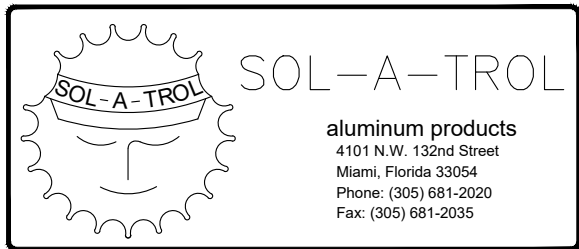


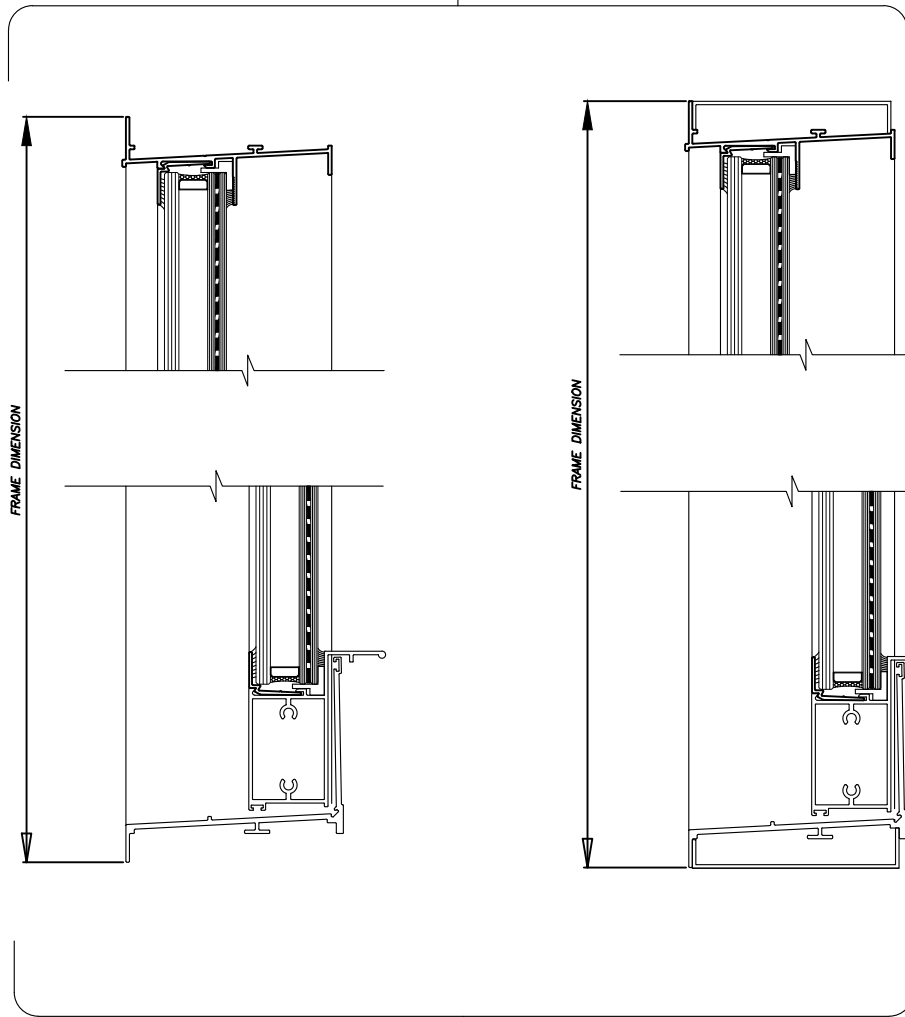
SERIES: 535
 ALUMINUM IMPACT
 SINGLE HUNG WINDOWS

GLAZING: 1 1/16" LAMINATED
 IMPACT GLASS



1

FLANGE
FRAME

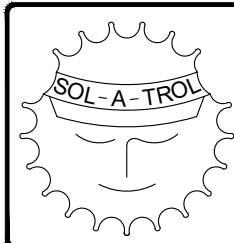


EQUAL
LEG
FRAME

2

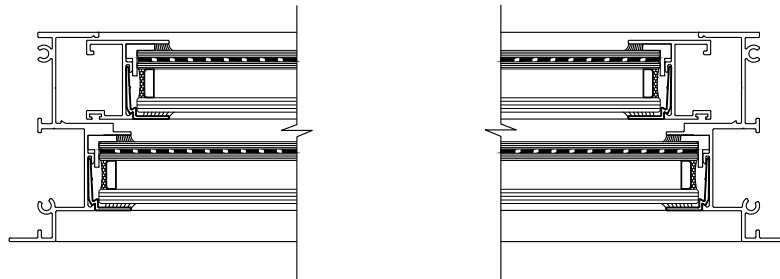
SERIES: 535
ALUMINUM IMPACT
SINGLE HUNG WINDOWS

GLAZING: 1 1/16" LAMINATED
IMPACT GLASS



SOL-A-TROL

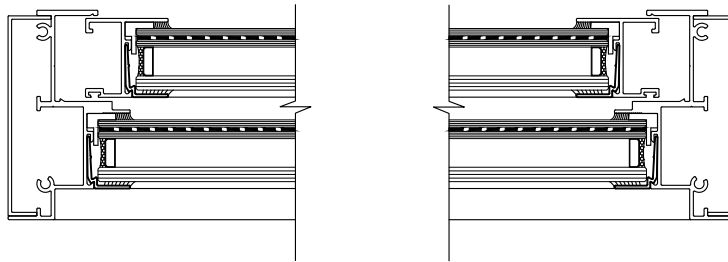
aluminum products
4101 N.W. 132nd Street
Miami, Florida 33054
Phone: (305) 681-2020
Fax: (305) 681-2035



FLANGE
FRAME

3

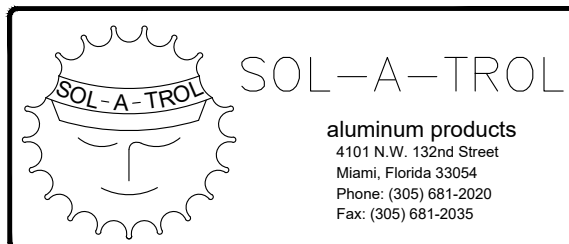
4



EQUAL
LEG
FRAME

SERIES: 535
ALUMINUM IMPACT
SINGLE HUNG WINDOWS

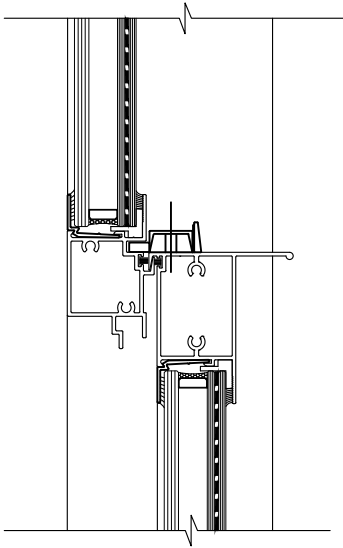
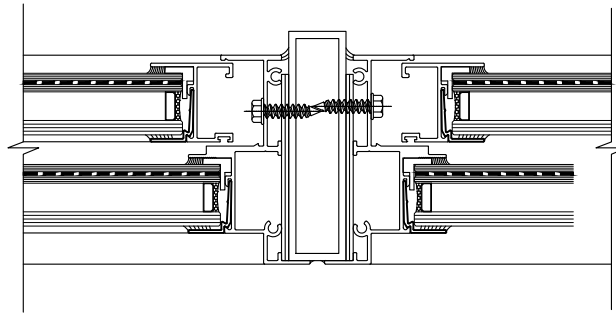
GLAZING: 1 $\frac{1}{16}$ " LAMINATED
IMPACT GLASS



aluminum products
4101 N.W. 132nd Street
Miami, Florida 33054
Phone: (305) 681-2020
Fax: (305) 681-2035

5

TUBE
MULL



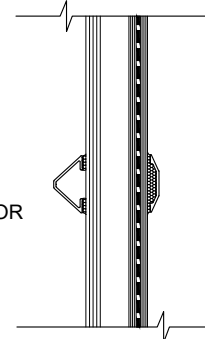
6

7

APPLIED
MUNTINS

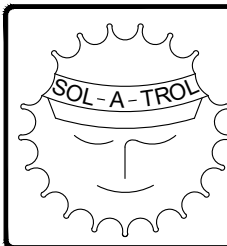
EXTERIOR

INTERIOR



SERIES: 535
ALUMINUM IMPACT
SINGLE HUNG WINDOWS

GLAZING: 1 1/16" LAMINATED
IMPACT GLASS



SOL-A-TROL

aluminum products
4101 N.W. 132nd Street
Miami, Florida 33054
Phone: (305) 681-2020
Fax: (305) 681-2035