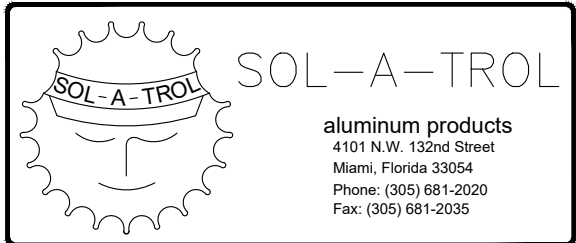


SERIES: 535
 ALUMINUM IMPACT
 FIXED WINDOWS

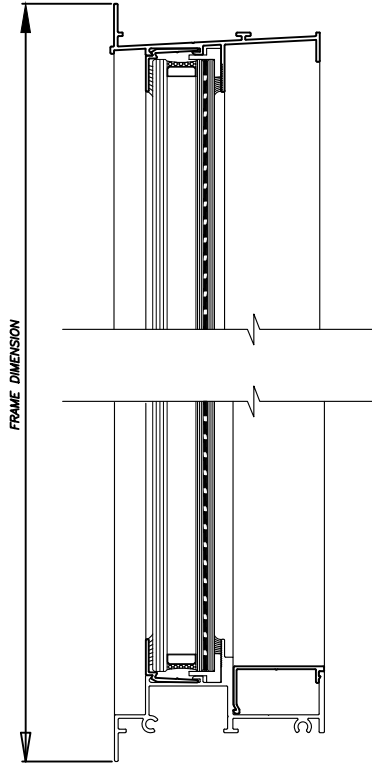
GLAZING: 1 1/16" LAMINATED
 IMPACT GLASS



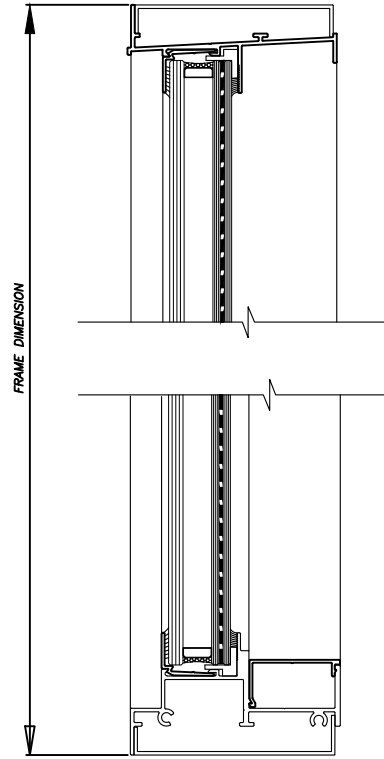
aluminum products
 4101 N.W. 132nd Street
 Miami, Florida 33054
 Phone: (305) 681-2020
 Fax: (305) 681-2035

1

FLANGE
FRAME



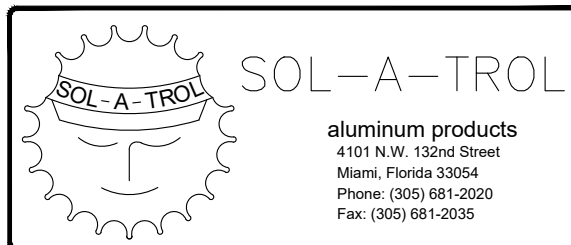
EQUAL
LEG
FRAME

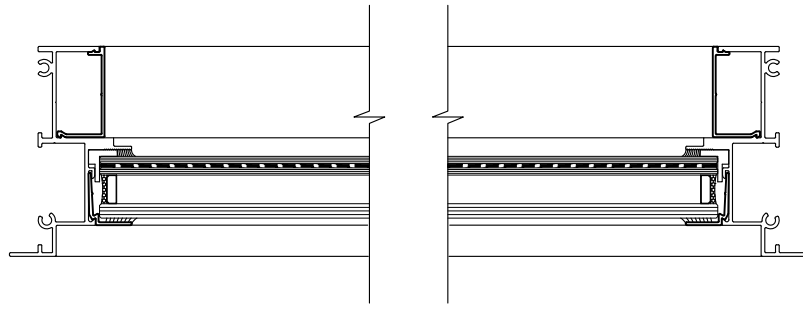


2

SERIES: 535
ALUMINUM IMPACT
FIXED WINDOWS

GLAZING: 1 $\frac{1}{16}$ " LAMINATED
IMPACT GLASS

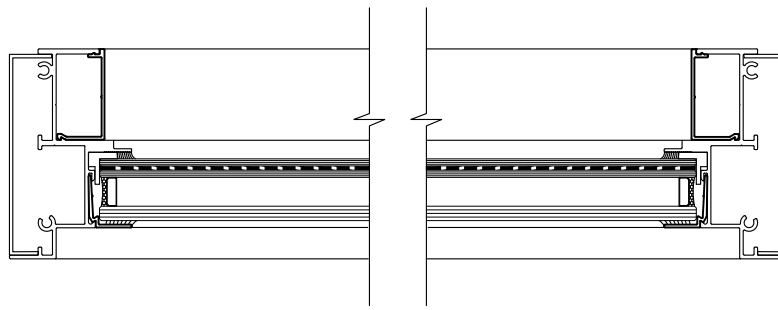




FLANGE
FRAME

3

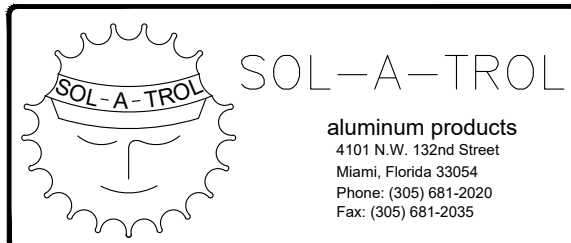
4



EQUAL
LEG
FRAME

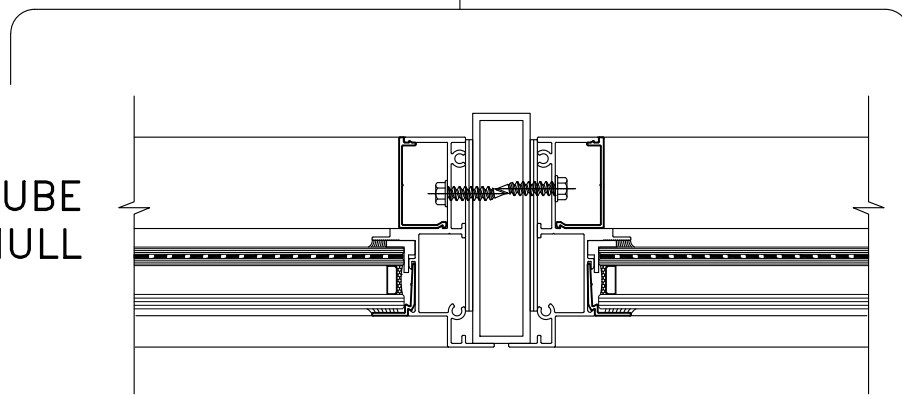
SERIES: 535
ALUMINUM IMPACT
FIXED WINDOWS

GLAZING: 1 $\frac{1}{16}$ " LAMINATED
IMPACT GLASS



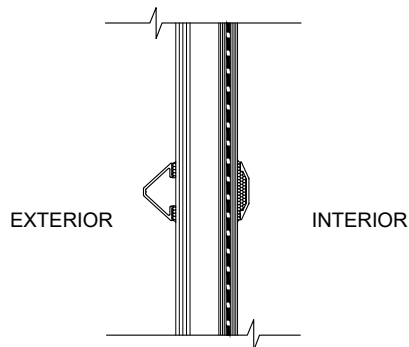
5

TUBE
MULL



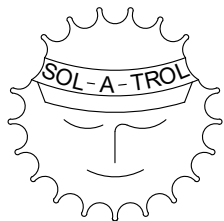
6

APPLIED
MUNTINS



SERIES: 535
ALUMINUM IMPACT
FIXED WINDOWS

GLAZING: 1 1/16" LAMINATED
IMPACT GLASS



SOL-A-TROL

aluminum products
4101 N.W. 132nd Street
Miami, Florida 33054
Phone: (305) 681-2020
Fax: (305) 681-2035