



[DBPR HOME](#) | [ABOUT DBPR](#) | [DBPR DIVISIONS](#) | [CONTACT DBPR](#)

[BCIS Home](#) | [Log In](#) | [User Registration](#) | [Hot Topics](#) | [Submit Surcharge](#) | [Stats & Facts](#) | [Publications](#) | [Contact Us](#) | [BCIS Site Map](#) | [Links](#) | [Search](#)



Product Approval
USER: Public User

[Product Approval Menu](#) > [Product or Application Search](#) > [Application List](#) > **Application Detail**

OFFICE OF THE SECRETARY

FL #	FL17527-R2								
Application Type	Revision								
Code Version	2023								
Application Status	Approved								
Comments									
Archived	<input type="checkbox"/>								
Product Manufacturer	Sol-A-Trol Aluminum Products								
Address/Phone/Email	4101 NW 132 St Miami, FL 33054 (350) 681-2020 Ext 209 Edith@SOLATROL.COM								
Authorized Signature	Jalal Farooq veronica@afceng.com								
Technical Representative	Edith Todzey								
Address/Phone/Email	4101 NW 132nd St. Miami, FL 33054 (305) 681-2020 edith@solatrol.com								
Quality Assurance Representative									
Address/Phone/Email									
Category	Windows								
Subcategory	Projected								
Compliance Method	Evaluation Report from a Florida Registered Architect or a Licensed Florida Professional Engineer <input type="checkbox"/> Evaluation Report - Hardcopy Received								
Florida Engineer or Architect Name who developed the Evaluation Report	Jalal Farooq								
Florida License	PE-81223								
Quality Assurance Entity	National Accreditation and Management Institute								
Quality Assurance Contract Expiration Date	12/31/2024								
Validated By	Yiping Wang, P.E. <input checked="" type="checkbox"/> Validation Checklist - Hardcopy Received								
Certificate of Independence	FL17527 R2 COI SS - Certificate of Independence 2021.pdf								
Referenced Standard and Year (of Standard)	<table border="0"> <thead> <tr> <th>Standard</th> <th>Year</th> </tr> </thead> <tbody> <tr> <td>TAS 201</td> <td>1994</td> </tr> <tr> <td>TAS 202</td> <td>1994</td> </tr> <tr> <td>TAS 203</td> <td>1994</td> </tr> </tbody> </table>	Standard	Year	TAS 201	1994	TAS 202	1994	TAS 203	1994
Standard	Year								
TAS 201	1994								
TAS 202	1994								
TAS 203	1994								
Equivalence of Product Standards Certified By									
Sections from the Code									

Product Approval Method Method 1 Option D

Date Submitted 11/06/2023
 Date Validated 11/07/2023
 Date Pending FBC Approval 11/07/2023
 Date Approved 02/13/2024

Summary of Products

FL #	Model, Number or Name	Description
17527.1	Series "540-H" Aluminum Hopper (Projected-In) Window W/Louvers LMI	Large Missile Impact Resistant Aluminum Hopper (Projected-In) Window With Louvers
Limits of Use Approved for use in HVHZ: Yes Approved for use outside HVHZ: Yes Impact Resistant: Yes Design Pressure: +75/-75 Other: See drawing W15-04 for span vs. load combination and installation details.		Installation Instructions FL17527_R2_II_SS- 540-H Hopper W.Louvers (LMI) - DWG W15-04 (2023).pdf Verified By: Jalal Farooq PE # 81223 Created by Independent Third Party: Yes Evaluation Reports FL17527_R2_AE_SS- 540-H Hopper W.Louvers (LMI)-PAE 2023.pdf Created by Independent Third Party: Yes

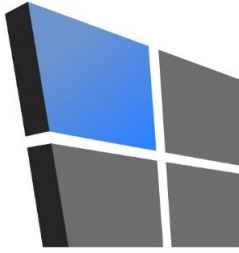
[Back](#) [Next](#)

Contact Us :: [2601 Blair Stone Road, Tallahassee FL 32399](#) Phone: 850-487-1824

The State of Florida is an AA/EEO employer. [Copyright 2007-2013 State of Florida.](#) :: [Privacy Statement](#) :: [Accessibility Statement](#) :: [Refund Statement](#)

Under Florida law, email addresses are public records. If you do not want your e-mail address released in response to a public-records request, do not send electronic mail to this entity. Instead, contact the office by phone or by traditional mail. If you have any questions, please contact 850.487.1395. *Pursuant to Section 455.275(1), Florida Statutes, effective October 1, 2012, licensees licensed under Chapter 455, F.S. must provide the Department with an email address if they have one. The emails provided may be used for official communication with the licensee. However email addresses are public record. If you do not wish to supply a personal address, please provide the Department with an email address which can be made available to the public. To determine if you are a licensee under Chapter 455, F.S., please click [here](#).





AL-FAROOQ CORPORATION

CONSULTING ENGINEERS & PRODUCT DEVELOPMENT

PRODUCT APPROVAL EVALUATION RULE CHAPTER #61G20-3 • METHOD 1 OPTION D

FL 17527

Date: 10/31/2023

Detailed Product Description:

Manufacturer: SOL-A-TROL ALUMINUM PRODUCTS, INC.

Manufacturer Address: 4101 NW 132ND STREET – MIAMI, FL 33054

Model Name: SERIES “540-H” ALUMINUM HOPPER (PROJECT-IN) WINDOW WITH LOUVERS

Maximum Load: +75 PSF, -75 PSF (Large Missile Impact)

Installation Drawings # W15-04

This product complies with the High Velocity Hurricane Zone (HVHZ) testing requirements.					
For maximum sizes, combination of span vs loads and anchor type refer to installation drawings.					
Comparative analysis used <u> </u> Yes <u> X </u> No					
Mandatory Tests (Tested in accordance with AAMA 101/I.S.2/NAFS/TAS-202)					
Test	Description	Test Location	Test Report Date	Test Report #	Test Sealed By
ASTM E283	Air Infiltration Leakage	Fenestration Testing Laboratory, Inc	8/7/2001	FTL-3059	Luis Figueredo, P.E.
		Hurricane Engineering & Testing, Inc.	10/8/2007	HETI-07-4214	Candido Font, P.E.
			10/8/2007	HETI-07-4215	Candido Font, P.E.
			10/8/2007	HETI-07-4216	Candido Font, P.E.
			4/15/2008	HETI-08-2080	Candido Font, P.E.
ASTM E331 OR ASTM E547 & TAS 202	Water Penetration	Fenestration Testing Laboratory, Inc	8/7/2001	FTL-3059	Luis Figueredo, P.E.
		Hurricane Engineering & Testing, Inc.	10/8/2007	HETI-07-4214	Candido Font, P.E.
			10/8/2007	HETI-07-4215	Candido Font, P.E.
			10/8/2007	HETI-07-4216	Candido Font, P.E.
			4/15/2008	HETI-08-2080	Candido Font, P.E.
ASTM E330 & TAS 202	Uniform Static Air Press.	Fenestration Testing Laboratory, Inc	8/7/2001	FTL-3059	Luis Figueredo, P.E.
		Hurricane Engineering & Testing, Inc.	6/2/2004	HETI-04-1386A	Rafael Droz-Seda, P.E.
			6/30/2004	HETI-04-1386B	Rafael Droz-Seda, P.E.
			6/30/2004	HETI-04-1386C	Rafael Droz-Seda, P.E.
			10/8/2007	HETI-07-4214	Candido Font, P.E.
			10/8/2007	HETI-07-4215	Candido Font, P.E.
			10/8/2007	HETI-07-4216	Candido Font, P.E.
			10/8/2007	HETI-07-4217	Candido Font, P.E.
			6/18/2009	HETI-07-4240	Candido Font, P.E.
			4/15/2008	HETI-08-2080	Candido Font, P.E.
ASTM F588	Forced Entry Test	Fenestration Testing Laboratory, Inc	8/7/2001	FTL-3059	Luis Figueredo, P.E.

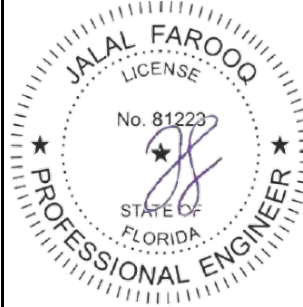
Supplemental Tests (Tested in accordance with TAS-201 and TAS-203)

Test	Description	Test Location	Test Report Date	Test Report#	Test Sealed By
FBC 1626.2 (TAS 201 & 203)	Large Missile Impact & Cyclic	Fenestration Testing Laboratory, Inc	8/7/2001	FTL-3059	Luis Figueredo, P.E.
		Hurricane Engineering & Testing, Inc.	10/8/2007	HETI-07-4218	Candido Font, P.E.
			6/18/2009	HETI-07-4299	Candido Font, P.E.

Under the limitations of the attached installation drawings, to the best of my knowledge and ability, the above product conforms to the requirements of the 2023 Florida Building Code.

Evaluation Report Engineer:

Jalal Farooq PE # 81223
 Al-Farooq Corporation EB # 3538



Sealed: 11/1/2023

SERIES '540-H'

ALUMINUM HOPPER (PROJECT-IN) WINDOW WITH LOUVERS

APPROVAL APPLIES TO SINGLE UNITS OR SIDE BY SIDE COMBINATIONS OF HOPPER/HOPPER OR HOPPER WINDOW WITH OTHER WINDOW TYPES IN MODULES OF TWO OR MORE WINDOWS USING F.B.C. APPROVED MULLIONS IN BETWEEN. LOWER DESIGN PRESSURE FROM WINDOWS OR MULLION APPROVAL WILL APPLY TO ENTIRE SYSTEM.

THIS PRODUCT HAS BEEN DESIGNED AND TESTED TO COMPLY WITH THE REQUIREMENTS OF THE 2020 (7TH EDITION)/2023 (8TH EDITION) FLORIDA BUILDING CODE INCLUDING HIGH VELOCITY HURRICANE ZONE (HVHZ).

1BY OR 2BY WOOD BUCKS & BUCK FASTENERS BY OTHERS, MUST BE DESIGNED AND INSTALLED ADEQUATELY TO TRANSFER APPLIED PRODUCT LOADS TO THE BUILDING STRUCTURE.

ANCHORS SHALL BE CORROSION RESISTANT, SPACED AS SHOWN ON DETAILS AND INSTALLED PER MANUF'S INSTRUCTIONS. SPECIFIED EMBEDMENT TO BASE MATERIAL SHALL BE BEYOND WALL DRESSING OR STUCCO.

A LOAD DURATION INCREASE IS USED IN DESIGN OF ANCHORS INTO WOOD ONLY.

ALL SHIMS TO BE HIGH IMPACT, NON-METALLIC AND NON-COMPRESSIBLE.

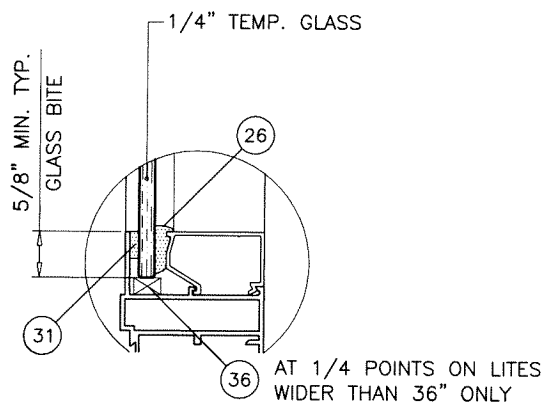
MATERIALS INCLUDING BUT NOT LIMITED TO STEEL/METAL SCREWS, THAT COME INTO CONTACT WITH OTHER DISSIMILAR MATERIALS SHALL MEET THE REQUIREMENTS OF THE 2020/2023 FLORIDA BLDG. CODE & ADOPTED STANDARDS.

THIS PRODUCT APPROVAL IS GENERIC AND DOES NOT PROVIDE INFORMATION FOR A SITE SPECIFIC PROJECT, i.e. LIFE SAFETY OF THIS PRODUCT, ADEQUACY OF STRUCTURE RECEIVING THIS PRODUCT AND SEALING AROUND OPENING FOR WATER INFILTRATION RESISTANCE ETC.

CONDITIONS NOT SHOWN IN THIS DRAWING ARE TO BE ANALYZED SEPARATELY, AND TO BE REVIEWED BY BUILDING OFFICIAL.

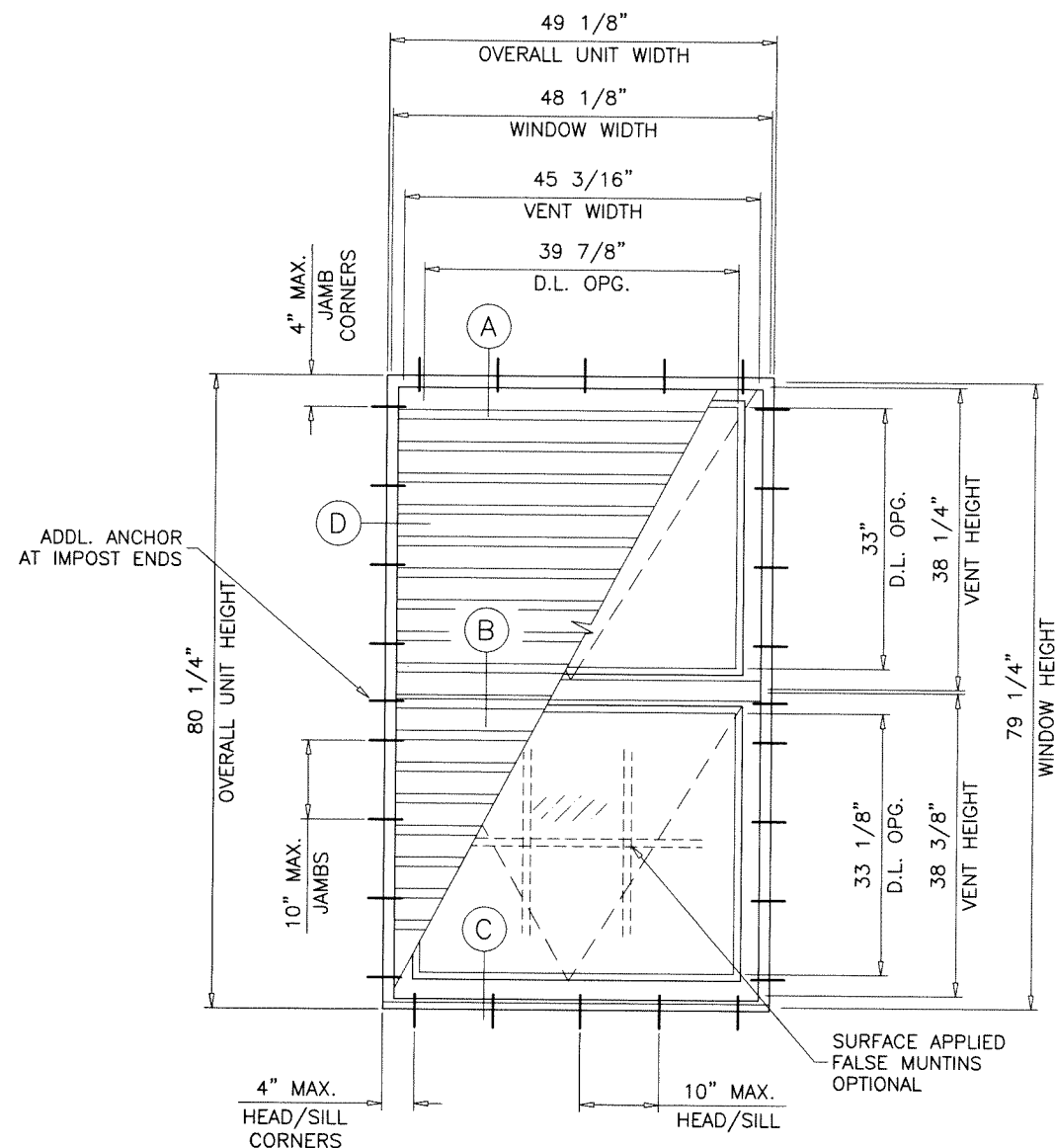
DESIGN LOADS SHOWN ARE BASED ON 'ALLOWABLE STRESS DESIGN (ASD)'.

MANUFACTURER'S LABEL SHALL BE LOCATED ON A READILY VISIBLE LOCATION IN ACCORDANCE WITH SECTION 1709.9.3 OF FLORIDA BUILDING CODE. LABELING TO COMPLY WITH SECTION 1709.9.2.



GLAZING DETAIL

NOTE:
GLASS CAPACITIES ON THIS SHEET ARE BASED ON ASTM E1300-09 (3 SEC. GUSTS) AND FLORIDA BUILDING COMMISSION DECLARATORY STATEMENT DCA05-DEC-219



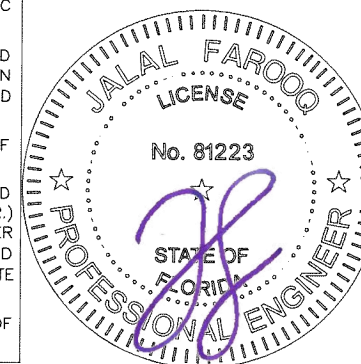
MAXIMUM DESIGN LOAD RATING = + 75.0 PSF
(FOR SIZES SHOWN ABOVE OR SMALLER) - 75.0 PSF

THESE WINDOWS ARE RATED FOR LARGE & SMALL MISSILE IMPACT. SHUTTERS ARE NOT REQUIRED.

LOUVER BLADES MAX. LENGTH = 47 INCHES

Sealed: 11/1/2023

FL #17527



A- THIS PRODUCT EVALUATION DOCUMENT (P.E.D.) PREPARED BY THIS ENGINEER IS GENERIC AND DOES NOT PROVIDE INFORMATION FOR A SITE SPECIFIC PROJECT; i.e. WHERE THE SITE CONDITIONS DEVIATE FROM THE P.E.D.
B- CONTRACTOR TO BE RESPONSIBLE FOR THE SELECTION, PURCHASE AND INSTALLATION OF THIS PRODUCT BASED ON THIS PRODUCT EVALUATION PROVIDED HE/SHE DOES NOT DEVIATE FROM THE CONDITIONS DETAILED ON THIS DOCUMENT.
C- THIS PRODUCT EVALUATION DOCUMENT WILL BE CONSIDERED INVALID IF ALTERED BY ANY MEANS.
D- SITE SPECIFIC PROJECTS SHALL BE PREPARED BY A FLORIDA REGISTERED ENGINEER OR ARCHITECT WHICH WILL BECOME THE ENGINEER OF RECORD (E.O.R.) FOR THE PROJECT AND WHO WILL BE RESPONSIBLE FOR THE PROPER USE OF THE P.E.D. ENGINEER OF RECORD, ACTING AS A DELEGATED ENGINEER TO THE P.E.D. ENGINEER SHALL SUBMIT TO THIS LATTER THE SITE SPECIFIC DRAWINGS FOR REVIEW.
E- THIS P.E.D. SHALL BEAR THE DATE AND ORIGINAL SEAL AND SIGNATURE OF THE PROFESSIONAL ENGINEER OF RECORD THAT PREPARED IT.

af c
AL-FAROOQ CORPORATION
ENGINEERS & PRODUCT DEVELOPMENT
9360 SUNSET DRIVE, SUITE 220
MIAMI, FLORIDA 33173
TEL. (305) 264-8100
WWW.AFCENG.COM
COMP-ANL\W15-04SAT
FBPE #3538

S-540-H ALUM HOPPER WDW. W/ LOUVERS (L.M.I.)
SOL-A-TROL ALUMINUM PRODUCTS
4101 N.W. 132ND STREET
MIAMI, FL. 33054
TEL. (305) 681-2020 FAX. (305) 681-2035

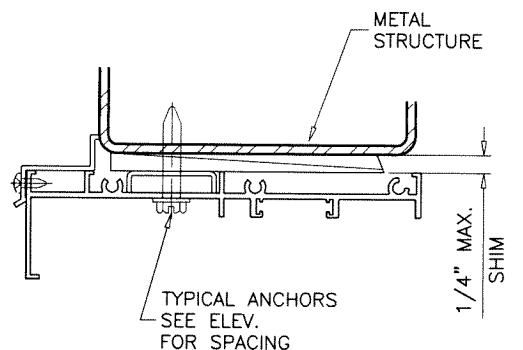
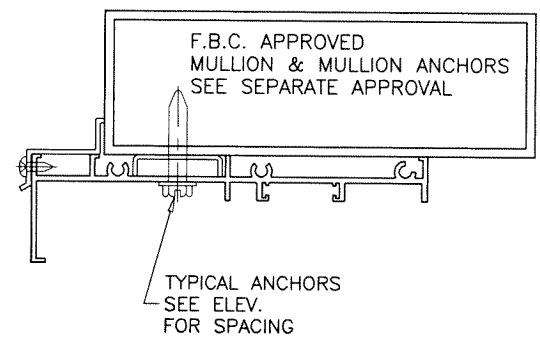
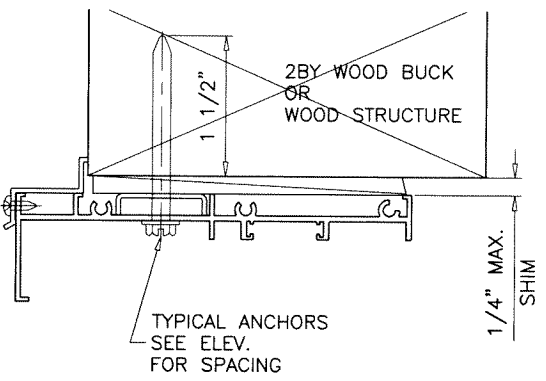
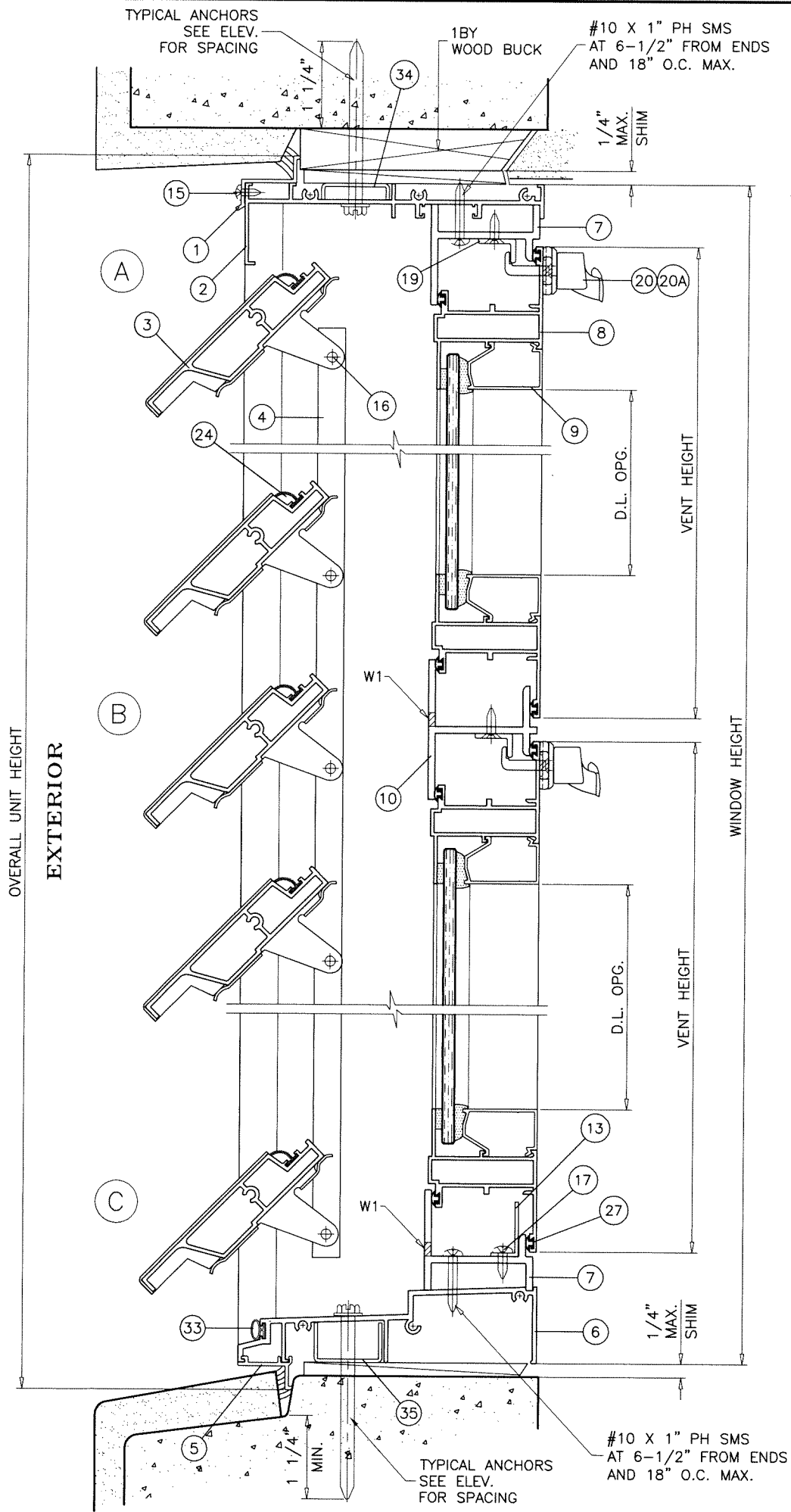
no	date	description	by
A	07.13.22	UPDATED TO 2020 FBC	
B	10.27.23	UPDATED TO 2023 FBC	

revisions:

date: 02-17-15
scale: 1/2"=1'-0"
dr. by: TARIQ
chk. by:

drawing no.
W15-04

sheet 1 of 6



WOOD BUCKS AND METAL STRUCTURE NOT BY 'SOL-A-TROL' MUST SUSTAIN LOADS IMPOSED BY GLAZING SYSTEM AND TRANSFER THEM TO THE BUILDING STRUCTURE.

SEALANTS:

FRAME AND VENT CORNERS AND INSTALLATION SCREWS AT SILL SEALED WITH WHITE/ALUMINUM COLORED SEALANT.

WEEPHOLES:

W1 = 3/8"W X 1/4"H WEEPHOLES AT 7-1/4" FROM EACH END

TYPICAL ANCHORS: SEE ELEV. FOR SPACING

1/4" DIA. ULTRACON+ BY 'DEWALT' (Fu=164 KSI, Fy=148 KSI) INTO 2BY WOOD BUCKS OR WOOD STRUCTURES 1-1/2" MIN. PENETRATION INTO WOOD (HEAD/SILL/JAMBS) THRU 1BY BUCKS INTO CONC. OR BLOCKS 1-1/4" MIN. EMBED INTO CONCRETE (HEAD/SILL/JAMBS) 1-1/4" MIN. EMBED INTO BLOCKS (JAMBS) DIRECTLY INTO CONCRETE OR BLOCKS 1-1/4" MIN. EMBED INTO CONCRETE (HEAD/SILL/JAMBS) 1-1/4" MIN. EMBED INTO BLOCKS (JAMBS)

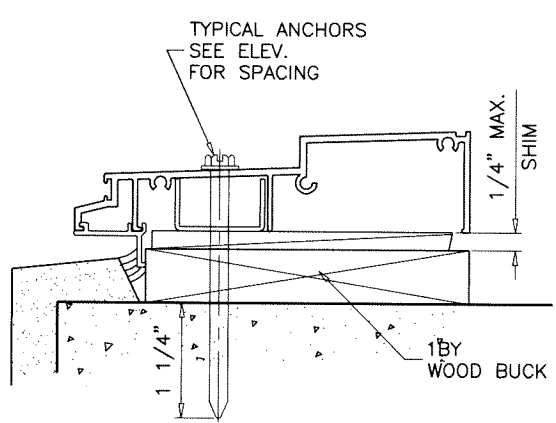
#14 SMS OR SELF-DRILLING SCREWS (GRADE 2 CRS) INTO METAL STRUCTURES (HEAD/SILL/JAMBS) (3) THREADS MIN. TO EXTEND BEYOND METAL THICKNESS ALUMINUM: 1/8" THK. MIN. (6063-T5 MIN.) STEEL: 1/8" THK. MIN. (Fy = 36 KSI MIN.) (STEEL IN CONTACT WITH ALUMINUM TO BE PLATED OR PAINTED)

#12 SMS OR SELF-DRILLING SCREWS (GRADE 2 CRS) INTO F.B.C. APPROVED MULLIONS (3) THREADS MIN. TO EXTEND BEYOND METAL THICKNESS ALUMINUM: 1/8" THK. MIN. (6063-T5 MIN.)

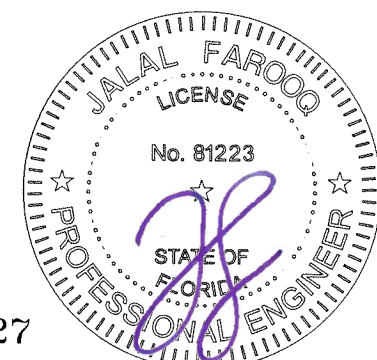
CRITICAL EDGE DISTANCE

INTO CONCRETE AND BLOCKS = 2-1/2" MIN.
INTO WOOD STRUCTURE = 1" MIN.
INTO METAL STRUCTURE = 3/4" MIN.

WOOD AT HEAD, SILL OR JAMBS SG = 0.55 MIN.
CONCRETE AT HEAD, SILL OR JAMBS f'c = 3000 PSI MIN.
C-90 HOLLOW/FILLED BLOCK AT JAMBS f'm = 2000 PSI MIN.



Sealed: 11/1/2023



FL #17527

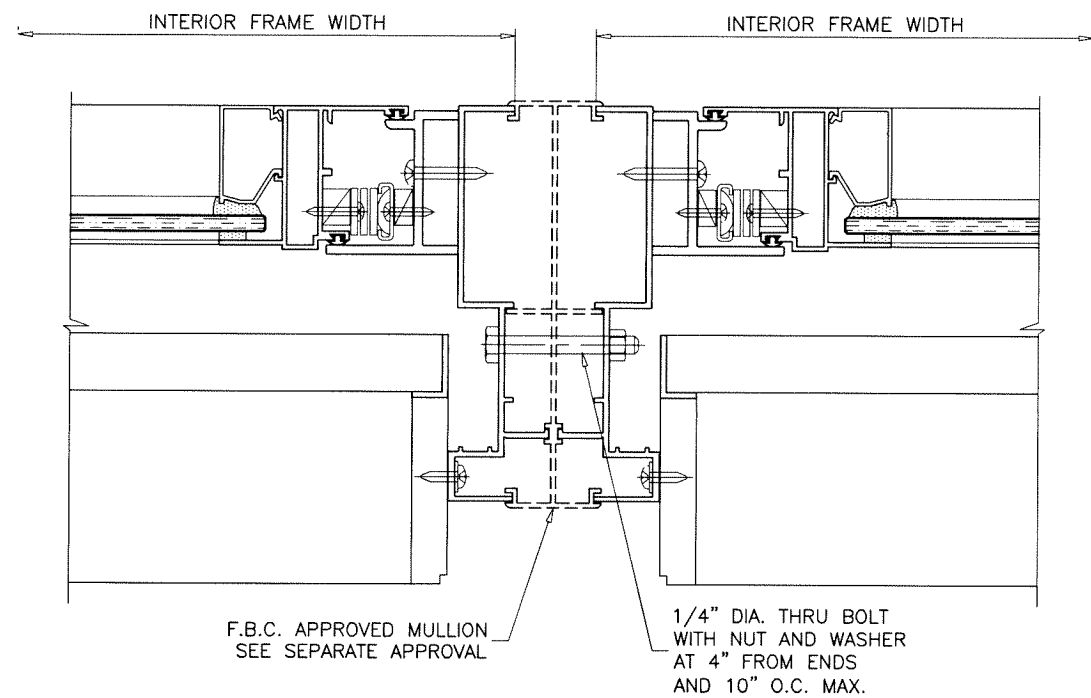
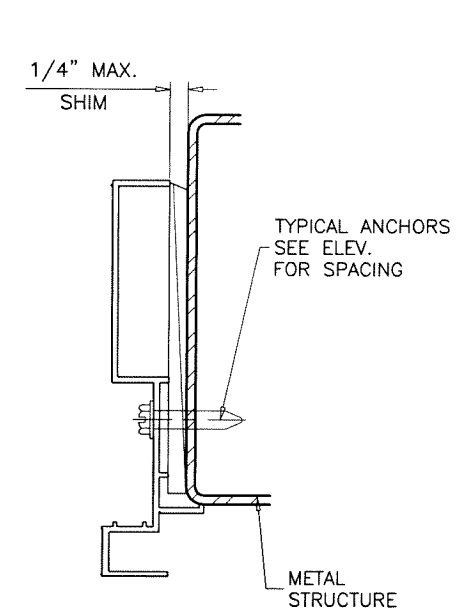
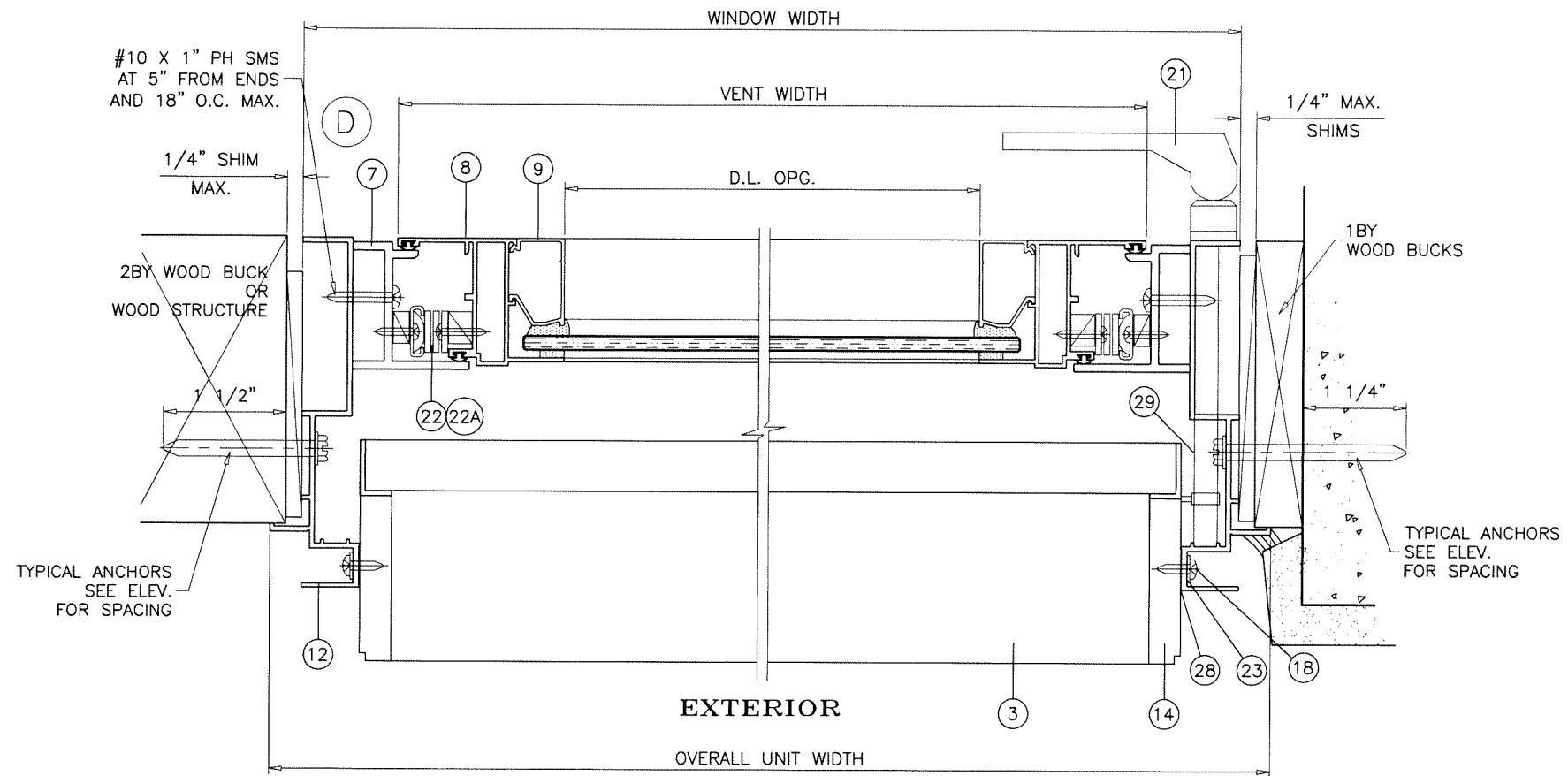
af c
AL-FAROOQ CORPORATION
 ENGINEERS & PRODUCT DEVELOPMENT
 9360 SUNSET DRIVE, SUITE 220
 MIAMI, FLORIDA 33173
 TEL. (305) 264-8100
 WWW.AFCENG.COM
 COMP-ANL W15-04SAT
 FBPE #3538

S-540-H ALUM HOPPER WDW. W/ LOUVERS (L.M.I.)
 SOL-A-TROL ALUMINUM PRODUCTS
 4101 N.W. 132ND STREET
 MIAMI, FL. 33054
 TEL. (305) 681-2020 FAX. (305) 681-2035

revisions:	no	date	by	description

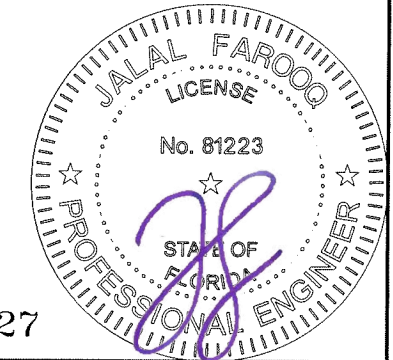
date: 02-17-15
 scale: 3/8" = 1"
 dr. by: TARIQ
 chk. by:


drawing no.
W15-04
 sheet 2 of 6



Sealed: 11/1/2023

FL #17527





AL-FAROOQ CORPORATION
 ENGINEERS & PRODUCT DEVELOPMENT
 9360 SUNSET DRIVE, SUITE 220
 MIAMI, FLORIDA 33173
 TEL. (305) 264-8100
 WWW.AFCENG.COM
 FBPE #3538
 COMP-ANL W15-04SAT

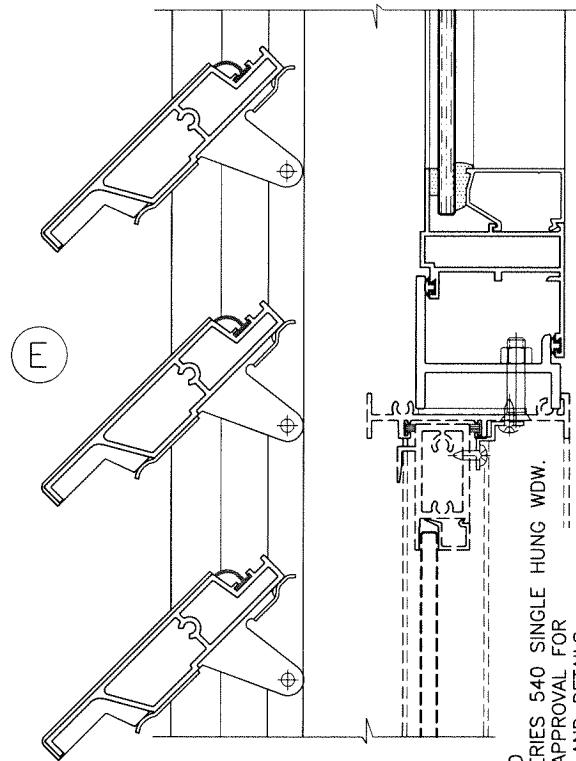
S-540-H ALUM HOPPER WDW. W/ LOUVERS (L.M.I.)

SOL-A-TROL ALUMINUM PRODUCTS
 4101 N.W. 132ND STREET
 MIAMI, FL. 33054
 TEL. (305) 681-2020 FAX. (305) 681-2035

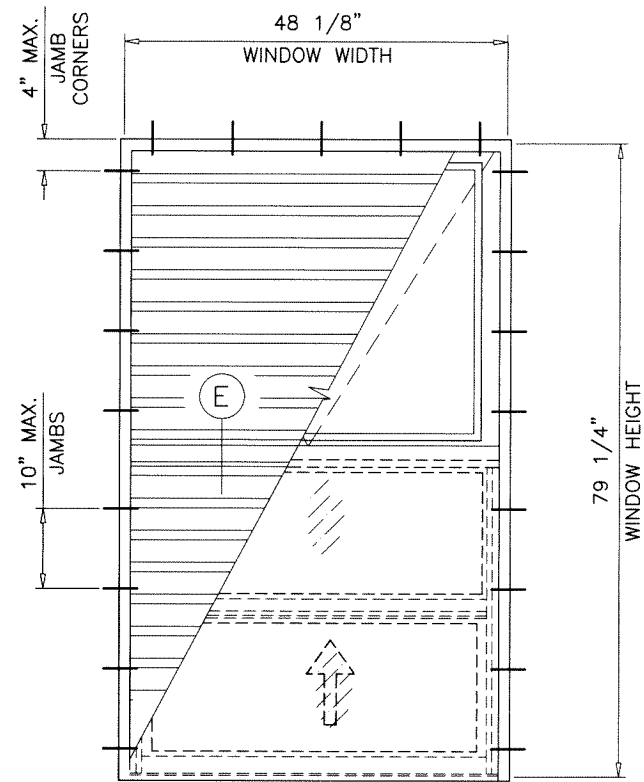
no	date	description

date: 02-17-15
 scale: 3/8" = 1"
 dr. by: TARIQ
 chk. by:

drawing no.
W15-04
 sheet 3 of 6



F.B.C. APPROVED
 SOL-A-TROL SERIES 540 SINGLE HUNG WDW.
 SEE SEPARATE APPROVAL FOR
 WINDOW RATING AND DETAILS

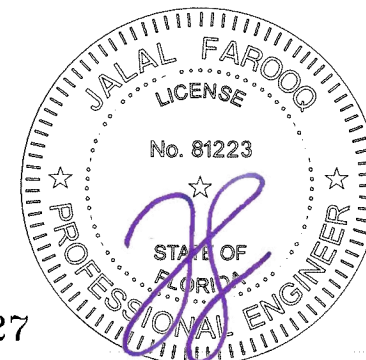


PROJECT-IN/SINGLE HUNG
 WINDOWS WITH LOUVERS

LIMIT MAXIMUM DESIGN LOADS TO ± 70.0 PSF FOR PROJECT-IN/SINGLE HUNG COMBINATIONS
 LOUVER BLADES MAX. LENGTH = 47 INCHES

Sealed: 11/1/2023

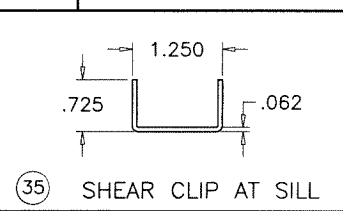
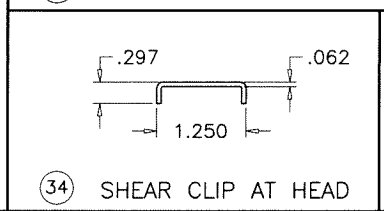
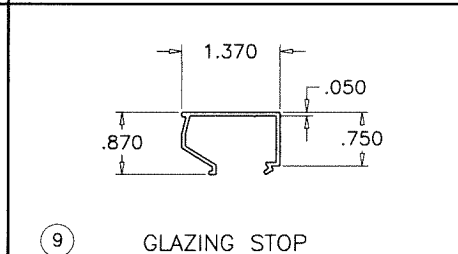
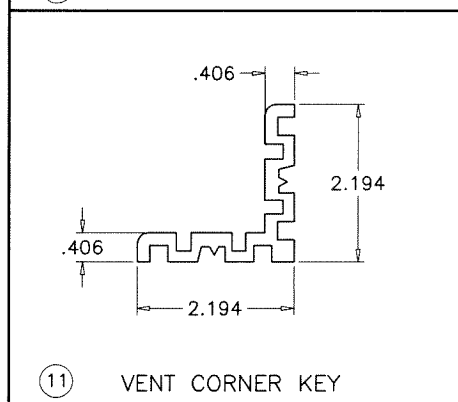
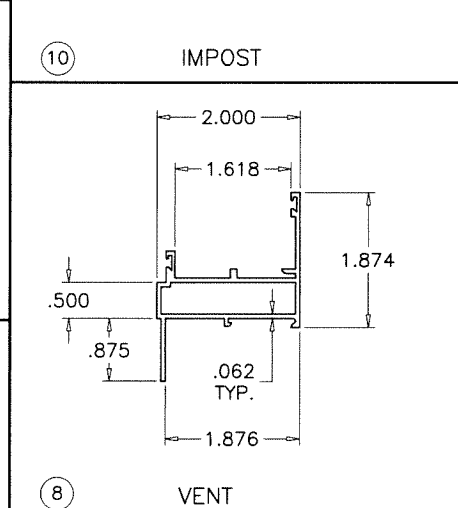
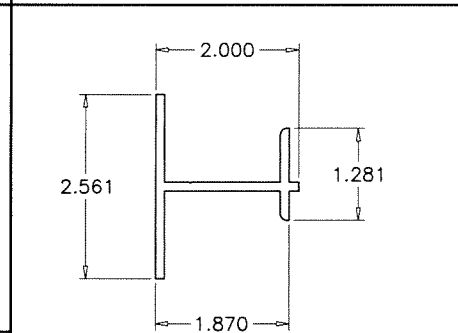
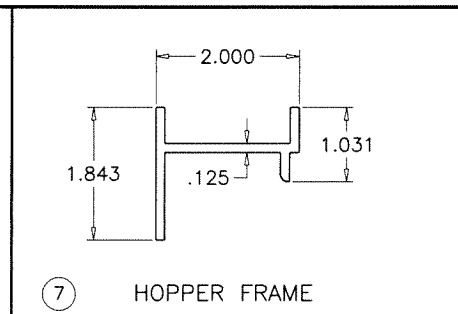
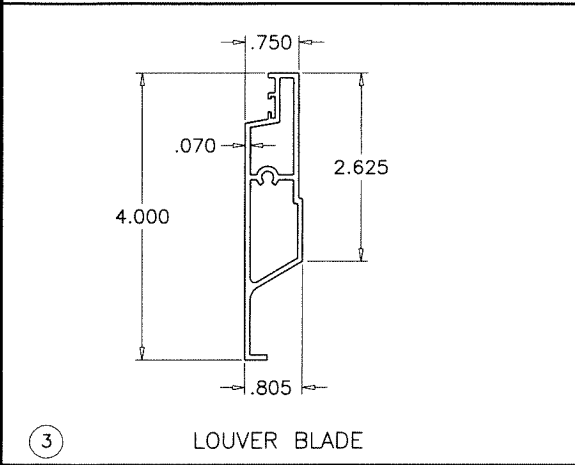
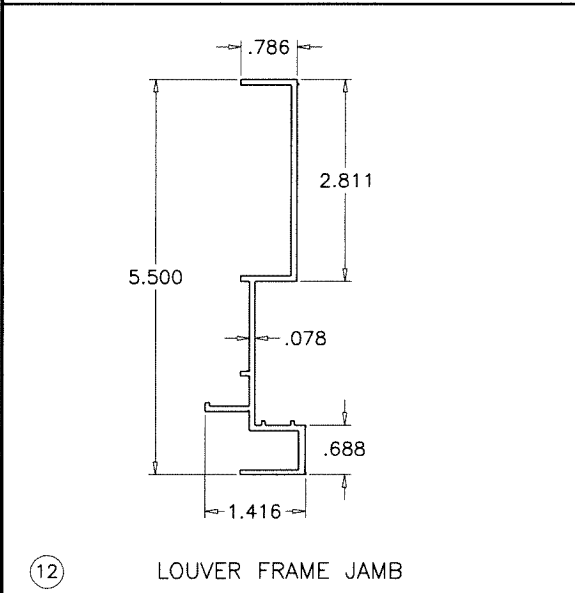
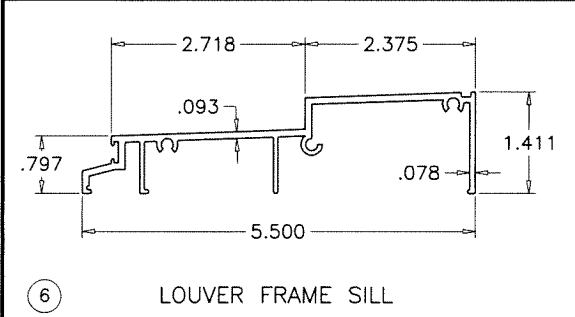
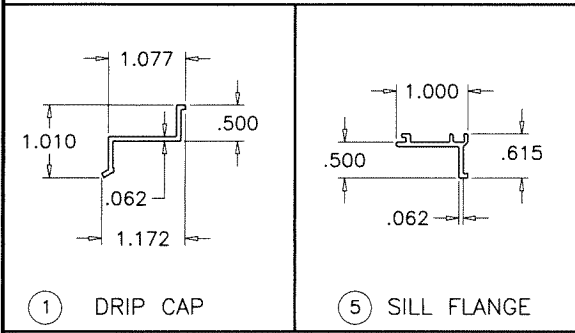
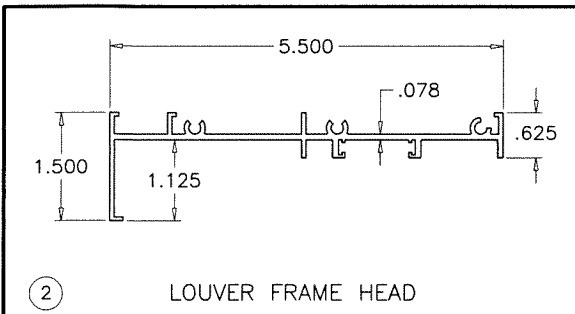
FL #17527



date: 02-17-15	revisions:
scale: 3/8" = 1"	no date by description
dr. by: TARIQ	
chk. by:	
drawing no.	
W15-04	
sheet 4 of 6	

S-540-H ALUM HOPPER WDW. W/ LOUVERS (L.M.I.)
 SOL-A-TROL ALUMINUM PRODUCTS
 4101 N.W. 132ND STREET
 MIAMI, FL. 33054
 TEL. (305) 681-2020 FAX. (305) 681-2035

AL-FAROOQ CORPORATION
 ENGINEERS & PRODUCT DEVELOPMENT
 9360 SUNSET DRIVE, SUITE 220
 MIAMI, FLORIDA 33173
 TEL. (305) 264-8100 WWW.AFCENG.COM
 FBPE #3538
 COMP -ANL\W15-04SAT



ITEM	PART #	QUANTITY	DESCRIPTION	MATERIAL	MANF./SUPPLIER/REMARKS
1	ARSO-8	1	DRIP CAP	6063-T5	-
2	ARSO-3	1	LOUVER FRAME HEAD	6063-T5	-
3	ARSO-69	AS REQD.	LOUVER BLADE	6063-T6	-
4	ARSO-51	2/ WDW.	TRAVEL BAR	6063-T5	-
5	ARSO-7	1	SILL FLANGE	6063-T5	-
6	ARSO-66	1	LOUVER SILL	6063-T5	-
7	ARSO-112	4/ WDW.	HOPPER FRAME	6063-T5	-
8	ARSO-176	4/ VENT	VENT FRAME	6063-T5	-
9	ARSO-187	4/ VENT	GLAZING BEAD	6063-T5	-
10	ARSO-129R	1	IMPOST	6063-T5	-
11	ARSO-173	1/ CORNER	VENT CORNER KEY	6063-T5	-
12	ARSO-52	2/ WDW.	LOUVER JAMB	6063-T5	-
13	-	1	ALUMINUM ANGLE	6063-T5	1/2 X 1 X 1/16"
14	393	2/ BLADE	LOUVER BLADE CLIP	ALUM 5005	-
15	#6 X 3/8"	AS REQD.	DRIP CAP SCREWS, AT 6-1/2" FROM ENDS	ST. STEEL	PH SMS
16	3/16" DIA.	-	TUBULAR RIVET	ALUMINUM	-
17	#10 X 3/8"	AS REQD.	SILL ANGLE SCREWS, AT 5" FROM ENDS & 10" O.C. MAX.	ST. STEEL	PH MS
18	#10 X 1-1/2"	AS REQD.	LOUVER INSTALLATION FASTENERS	ST. STEEL	SMS
19	#847	1/ VENT	KEEPER	WHITE BRONZE	FASTENED W/ (2) #10 X 3/8" SMS
20	#4907/4908	1/ VENT	CAM LOCKS, AT 5-1/2" FROM ENDS	WHITE BRONZE	-
20A	#10 X 3/8"	2/ LOCK	LOCK INSTALLATION SCREWS	ST. STEEL	FH SMS
21	#149-003	2	LOUVER HANDLE	WHITE BRONZE	-
22	SS-300	2/ VENT	4-BAR HINGE	ST. STEEL	-
22A	#10 X 3/4"	4/ HINGE	HINGE INSTALLATION SCREWS	ST. STEEL	PH SMS
23	001-292-A-1	AS REQD.	BUSHING	VINYL	-
24	326-FP-61-SB	-	BLADE WEATHERSTRIPPING	VINYL	-
25	-	AS REQD.	GLAZING TAPE	POLYFOAM	1/8" X 3/8"
26	FP-40	AS REQD.	GLAZING WEDGE	VINYL	-
27	FP-216-S	AS REQD.	WEATHERSTRIPPING	VINYL	-
28	301-COIL	-	WEATHERSTRIPPING	ST. STEEL	-
29	#313	-	5/16" HEX ROD	2024-T4	-
30	#1580	-	SPOOL ARM	-	-
31	-	AS REQD.	1/8" X 3/8 GLAZING TAPE	FOAM	POLY FOAM
32	#10 X 1"	-	FRAME ASSEMBLY SCREWS	ST. STEEL	PH SMS
33	FP-86S	AS REQD.	LOUVER SILL WEATHERSTRIPPING	-	PROTOTYPE
34	-	AS REQD.	SHEAR CLIP AT HEAD, 3" LONG	3003-H14	AT ANCHOR LOCATIONS
35	-	AS REQD.	SHEAR CLIP AT SILL, 3" LONG	3003-H14	AT ANCHOR LOCATIONS
36	-	AS REQD.	SETTING BLOCKS	EPDM	DUROMETER 80±5 SHORE A

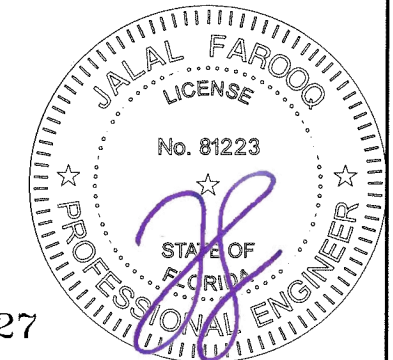
AL-FAROOQ CORPORATION
 ENGINEERS & PRODUCT DEVELOPMENT
 9360 SUNSET DRIVE, SUITE 220
 MIAMI, FLORIDA 33173
 TEL. (305) 264-8100 WWW.AFCENG.COM
 FBPE #3538
 COMP-ANL W15-04SAT

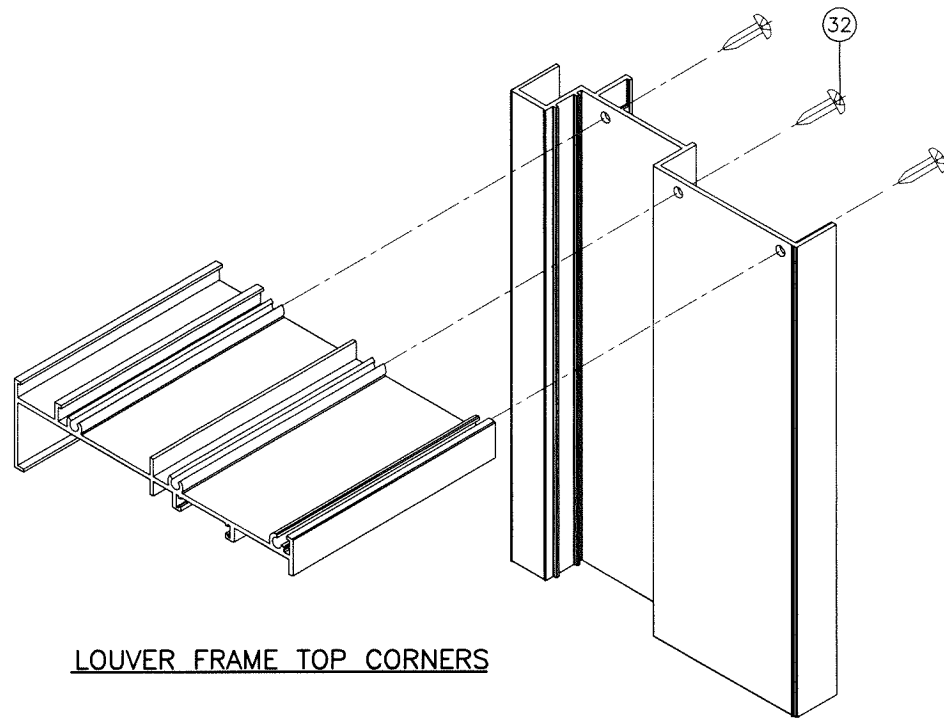
S-540-H ALUM HOPPER WDW. W/ LOUVERS (L.M.I.)
SOL-A-TROL ALUMINUM PRODUCTS
 4101 N.W. 132ND STREET
 MIAMI, FL. 33054
 TEL. (305) 681-2020 FAX. (305) 681-2035

revisions:	no.	date	description
date:	02-17-15	scale:	3/8" = 1"
dr. by:	TARIQ	chk. by:	
drawing no.	W15-04		
sheet	5 of 6		

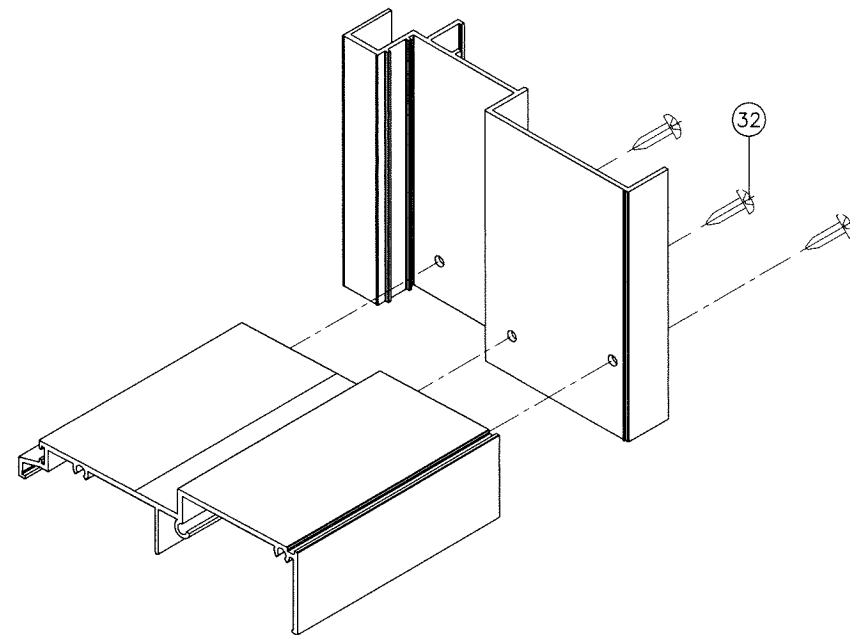
Sealed: 11/1/2023

FL #17527

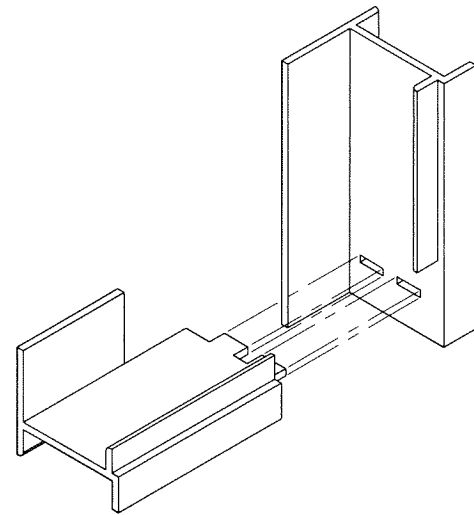




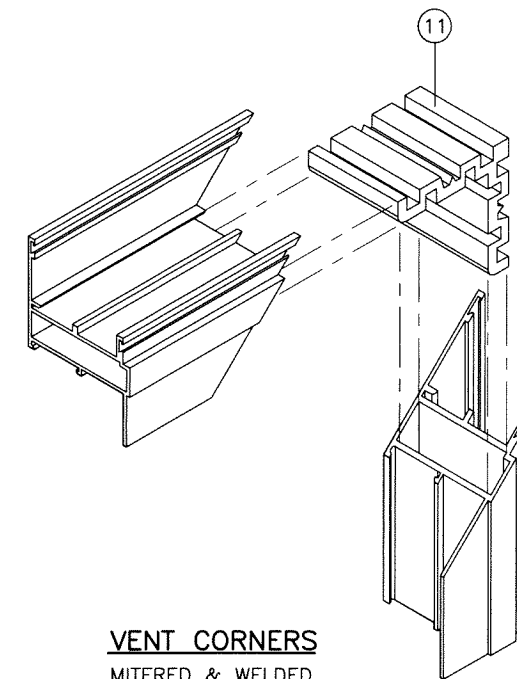
LOUVER FRAME TOP CORNERS



LOUVER FRAME BOTTOM CORNERS



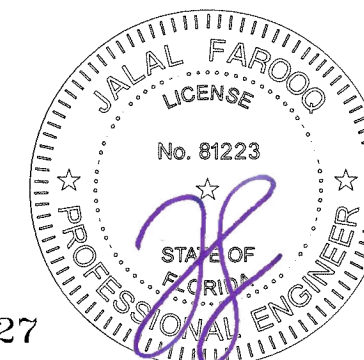
HOPPER FRAME CORNERS
STAKED MORTISE AND TENON FABRICATION




VENT CORNERS
MITERED & WELDED

Sealed: 11/1/2023

FL #17527





AL-FAROOQ CORPORATION
ENGINEERS & PRODUCT DEVELOPMENT
9360 SUNSET DRIVE, SUITE 220
MIAMI, FLORIDA 33173
TEL. (305) 264-8100
WWW.AFCENG.COM
FBPE #3538
COMP-ANL\W15-04SAT

S-540-H ALUM HOPPER WDW. W/ LOUVERS (L.M.I.)

SOL-A-TROL ALUMINUM PRODUCTS
4101 N.W. 132ND STREET
MIAMI, FL. 33054
TEL. (305) 681-2020 FAX. (305) 681-2035

revisions:	no.	date	by	description

date: 02-17-15

scale: 3/8" = 1"

dr. by: TARIQ

chk. by:

drawing no.

W15-04

sheet 6 of 6