

Leil[®]
SAUNAS



Como

Indoor Sauna Collection

leilsaunas.com



Lei[®]
SAUNAS

A vertical photograph of a dense evergreen forest. The scene is heavily misted, with a soft, ethereal atmosphere. The trees are dark green, and the mist is a pale, hazy white. The lighting is diffused, creating a sense of depth and tranquility. The text is overlaid in the lower-left corner in a white, serif font.

Built for peace.
Inspired by nature.

■ who are we?

Not just another sauna manufacturer.

Our story began more than sixteen years ago in a freezing garage, where our two founders, childhood friends, built the first units by hand with equal parts grit and curiosity. That hands-on spirit still drives us today. From those early days, we've grown into a modern manufacturer with deep craft roots. We design and build on a single 6-hectare manufacturing campus in Estonia, pairing precise engineering with honest, long-lasting materials. Every detail matters: clean lines, smart assembly, efficient heating, and a bathing experience that feels restorative day after day.



Experience over 16 years



Premium Materials



World-class Manufacturing



Award-winning Designs

Designed for life. Tested by nature.

What we make is intended to live beautifully and work hard. We build with Nordic ThermoWood®, tempered glass, and durable components, and we test our saunas the way they're meant to be used – out in real weather, with real steam, and real people. The result is reliable performance, simple maintenance, and timeless aesthetics that fit homes, cabins, spas, and hospitality projects.

Crafted by hand. Found worldwide.

Our saunas are available through our distributor network in over 50 countries.



the story behind our name.



What is *leil*?

leil (Estonian, noun)

“sauna steam”; the burst of heat and vapor created by ladling water onto hot stones, and therefore the sacred ritual of making it.

For centuries, the sauna has been a sacred place for the people of the North. In a rapidly changing and noisy world, it is increasingly important to take moments to truly be present and find peace. *Leil* is at the heart of this experience.

We invite people to experience the peace, connection, and ritual of true sauna practice. Our goal is to bring the authentic Estonian sauna experience to new audiences worldwide, teaching the art of *leil* as a universal expression of well-being that transcends cultures and languages.



Healthy heat. Happy heart.

What most people don't realize is that leil isn't about endurance or extreme heat. True leil should be gentle and soft, yet deeply warm – a balance that soothes rather than overwhelms.

Our mission is to share this understanding with the world and teach people the art of creating and enjoying leil the right way.

Going into the sauna and throwing leil the right way helps boost your health and wellbeing, calm the mind, and strengthen your immunity.

Como

Indoor Sauna Collection

The Como series is a refined collection of indoor saunas designed for modern living. Offering four size options, each model combines clean architectural lines, premium materials, and efficient use of space to suit a wide range of interior environments - from compact urban apartments to spacious private residences.



■ exterior

The series features 40mm thermowood wall elements. Front wall is designed with vertical bars, adding a clean, modern touch. The ceiling is insulated and finished with 15mm STS thermowood, ensuring optimal heat retention. A tempered clear glass door with a premium black details add elegance. Adjustable feet under the wall elements allow for easy leveling on uneven surfaces.



■ interior

The interior includes aspen wood benches and backrests, known for their smooth surface and heat resistance. The layout is ergonomic for comfortable sitting or reclining. Optional decorative wall panels offer a way to personalize the space. Warm LED lighting creates a cozy atmosphere, while a ventilation inlet in the ceiling ensures consistent airflow.



Como 1-120

A compact one-person indoor sauna for daily rituals in tight spaces. Fits apartments and ensuite wellness corners.



Como 2-150

Designed for two. A wider footprint adds shoulder room while retaining the same refined build. Quiet, comfortable, and easy to place in modern bathrooms or home gyms.



Como 3-180

Social and spacious for three. Extended seating depth supports longer, more comfortable sessions.



Como 4-180

A true gathering spot for four, with face-to-face benches and balanced heater placement for consistent leil. A favorite for families and hospitality suites.





● standard set includes

| | | |
|---|---------------------|---|
| 1 | Walls | 40mm Thermowood |
| 2 | External front wall | Vertical bars |
| 3 | Ceiling | Insulated ceiling elements with 15mm STS Thermowood |
| 4 | Door | Tempered clear glass with Premium handle and black hinges |
| 5 | Benches | Aspen bench and back rest |
| 6 | Floor | Regulative feet under the walls |
| 7 | Ventilation | Inlet in ceiling element |

● additional extras



8 Lighting

LED-strips under the bench and/or behind back rest

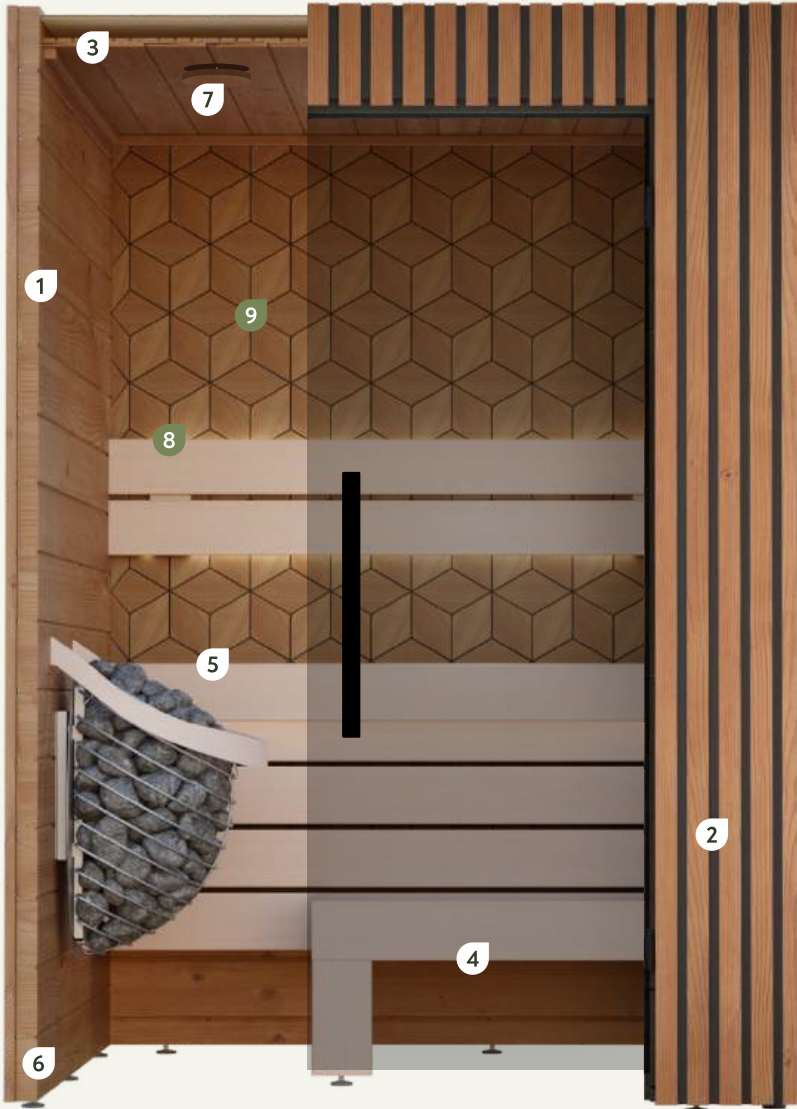


9 Deco Panel

Decorative hexagon panel on the back wall

● assembly and delivery

All models are available as a DIY kit or pre-assembled. Availability may vary by model - please check for details.

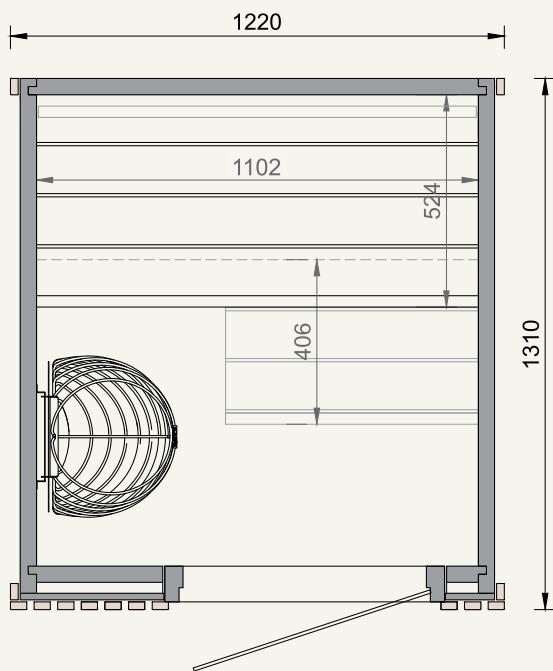




Como 1-120

for 1 person





technical information

METRIC

IMPERIAL

| | | |
|---------------------|------------------------|---------------------------|
| Coverage area | 1,6 (m ²) | 17.2 (ft ²) |
| Steam room volume | 2,7 (m ³) | 95.3 (ft ³) |
| External dimensions | W1220×D1310×H2080 (mm) | W48.0"×D51.6"×H81.9" (in) |
| Internal dimensions | W1102×D1163×H2000 (mm) | W43.4"×D45.8"×H78.7" (in) |
| Weight | 300 (kg) | 661 (lb) |
| Pallet size | 1,20×2,20×1,20 (m) | 3.94×7.22×3.94 (ft) |

suitable with

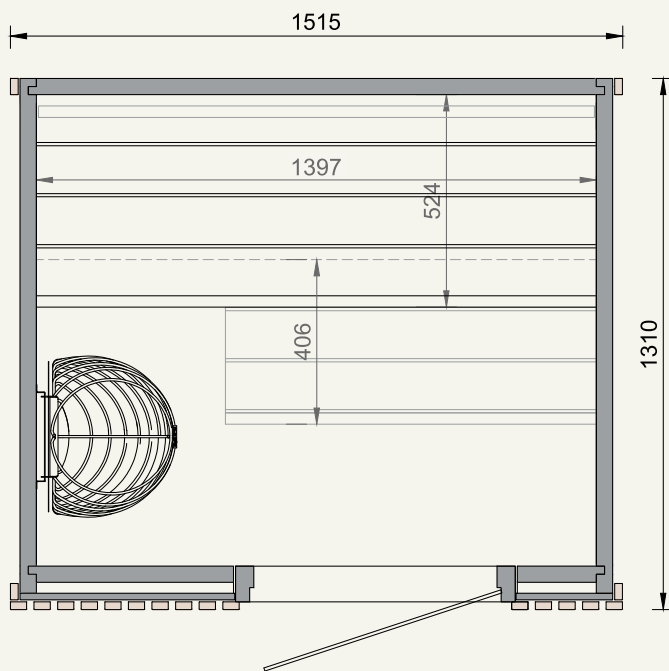
| | |
|---------------------|---|
| Electric heater | ✓ |
| Wood burning heater | ✗ |



Como 2-150

for 2 people





technical information

METRIC

IMPERIAL

| | | |
|---------------------|------------------------|---------------------------|
| Coverage area | 2,0 (m ²) | 21.5 (ft ²) |
| Steam room volume | 3,3 (m ³) | 116.5 (ft ³) |
| External dimensions | W1515×D1310×H2080 (mm) | W60.0"×D51.6"×H81.9" (in) |
| Internal dimensions | W1397×D1163×H2000 (mm) | W55.0"×D45,8"×H78,7" (in) |
| Weight | 350 (kg) | 771 (lb) |
| Pallet size | 1,20×2,20×1,20 (m) | 3.94×7.22×3.94 (ft) |

suitable with

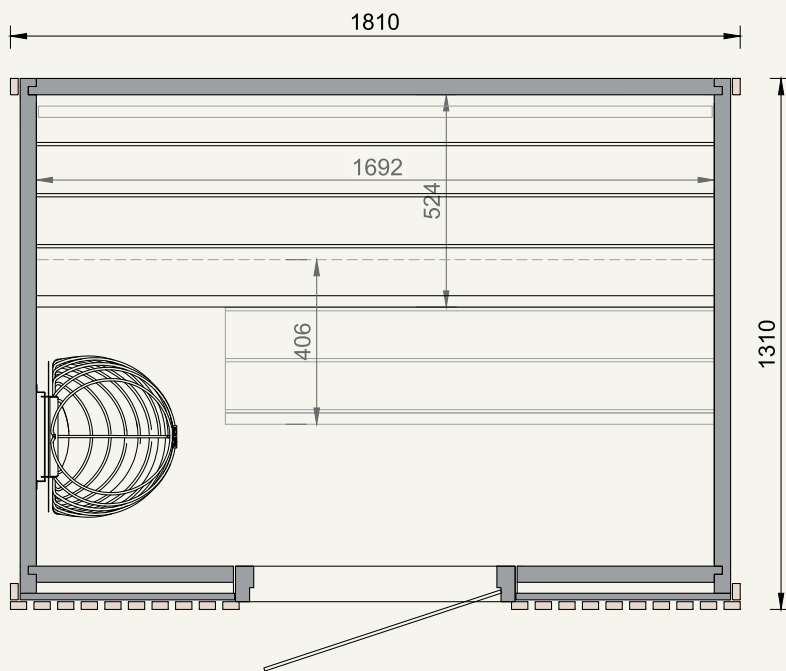
| | |
|---------------------|---|
| Electric heater | ✓ |
| Wood burning heater | ✗ |



Como 3-180

for 3 people





technical information

METRIC

IMPERIAL

| | | |
|---------------------|------------------------|---------------------------|
| Coverage area | 2,3 (m ²) | 24.8 (ft ²) |
| Steam room volume | 4,0 (m ³) | 141.3 (ft ³) |
| External dimensions | W1810×D1310×H2080 (mm) | W71.3"×D51.6"×H81.9" (in) |
| Internal dimensions | W1692×D1163×H2000 (mm) | W66.6"×D45.8"×H78.7" (in) |
| Weight | 400 (kg) | 882 (lb) |
| Pallet size | 1,20×2,20×1,20 (m) | 3.94×7.22×3.94 (ft) |

suitable with

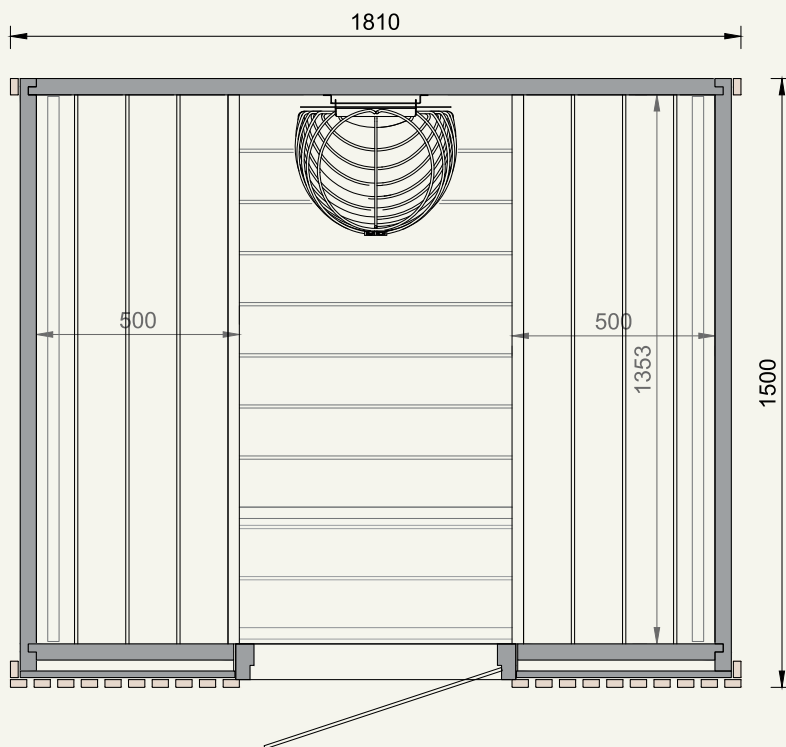
| | |
|---------------------|---|
| Electric heater | ✓ |
| Wood burning heater | ✗ |



Como 4-180

for 4 people





technical information

METRIC

IMPERIAL

| | | |
|---------------------|------------------------|---------------------------|
| Coverage area | 2,7 (m ²) | 29.0 (ft ²) |
| Steam room volume | 4,7 (m ³) | 166.0 (ft ³) |
| External dimensions | W1810×D1500×H2080 (mm) | W71.3"×D59.0"×H81.9" (in) |
| Internal dimensions | W1692×D1353×H2000 (mm) | W66.6"×D53.3"×H78.7" (in) |
| Weight | 450 (kg) | 992 (lb) |
| Pallet size | 1,20×2,20×1,20 (m) | 3.94×7.22×3.94 (ft) |

suitable with

| | |
|---------------------|---|
| Electric heater | ✓ |
| Wood burning heater | ✗ |

FAQ.

What type of wood do you use in manufacturing, and why is thermally treated wood good?

We use ThermoWood® (thermally modified pine) for the sauna exterior, while benches are made from aspen and alder, both in their natural and thermally treated forms. Thermally treated wood is ideal for saunas as it's resistant to water and humidity, doesn't swell or shrink, won't warp or twist like untreated wood, and doesn't leak resin.

Are your outdoor saunas suitable for year-round use?

Yes, our outdoor saunas can be used year-round, enduring cold winters and hot summers. We use 40mm or 70mm thick thermally treated wood, roofing with shingles or EPDM rubber to ensure moisture resistance. We also recommend applying an external UV-protective varnish treatment which ensures long-lasting durability.

Can products be customized (custom solutions)?

Yes, some products are available for customization, but it involves additional waiting time for designing and manufacturing. Typically, a custom order takes a minimum of 2-3 months.

Are sauna components painted at the factory?

DIY (self-assembly) sauna components are partially factory-painted, requiring final finishing during installation. Fully assembled saunas are factory-painted and finished.

On what surface can the sauna be installed?

The sauna must be installed on stable and level ground that doesn't settle. For outdoor saunas, ground must be prepared, either with driven piles or a concrete foundation.

Does the standard sauna kit include a heater?

A standard kit includes the sauna only. Optional LED lighting and a heater packages are available as add-ons.*

*Depending on the country.



Como

Indoor Sauna Collection

The Como series is a refined collection of indoor saunas designed for modern living. Offering four size options, each model combines clean architectural lines, premium materials, and efficient use of space to suit a wide range of interior environments - from compact urban apartments to spacious private residences.



Como 1-120
for 1 person



Como 2-150
for 2 people



Como 3-180
for 3 people



Como 4-180
for 4 people



Leil[®]
SAUNAS

Leil Saunas OÜ

Karja tee 6, Võnnu, 62401
Kastre municipality, Tartu county,
Estonia

sales@leilsaunas.com

leilsaunas.com

[f](#) [@](#) [in](#) @leilsaunas

#throwtheleil

