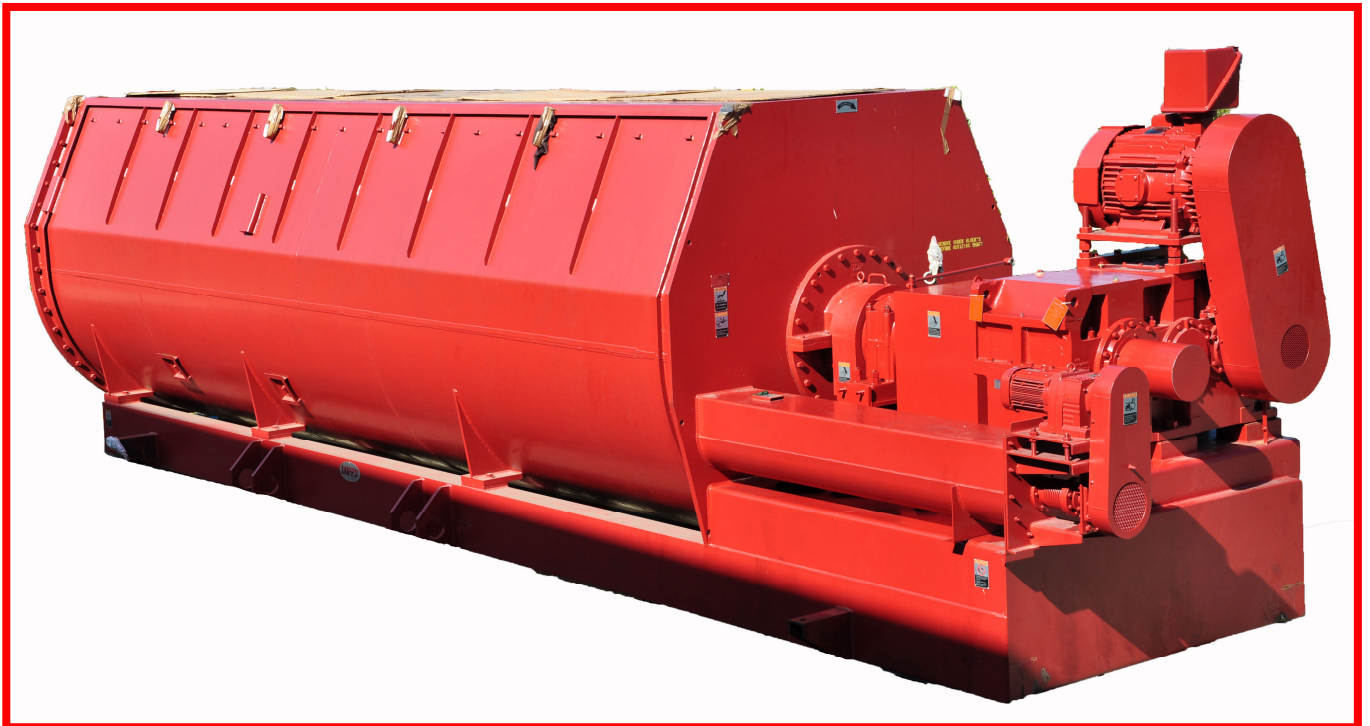




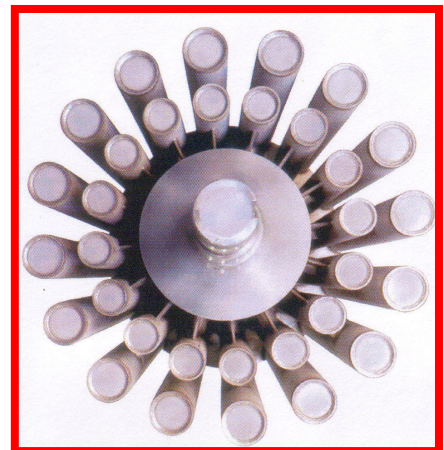
Design. Manufacture. Install.  
Specialising in Rendering & Process Equipment

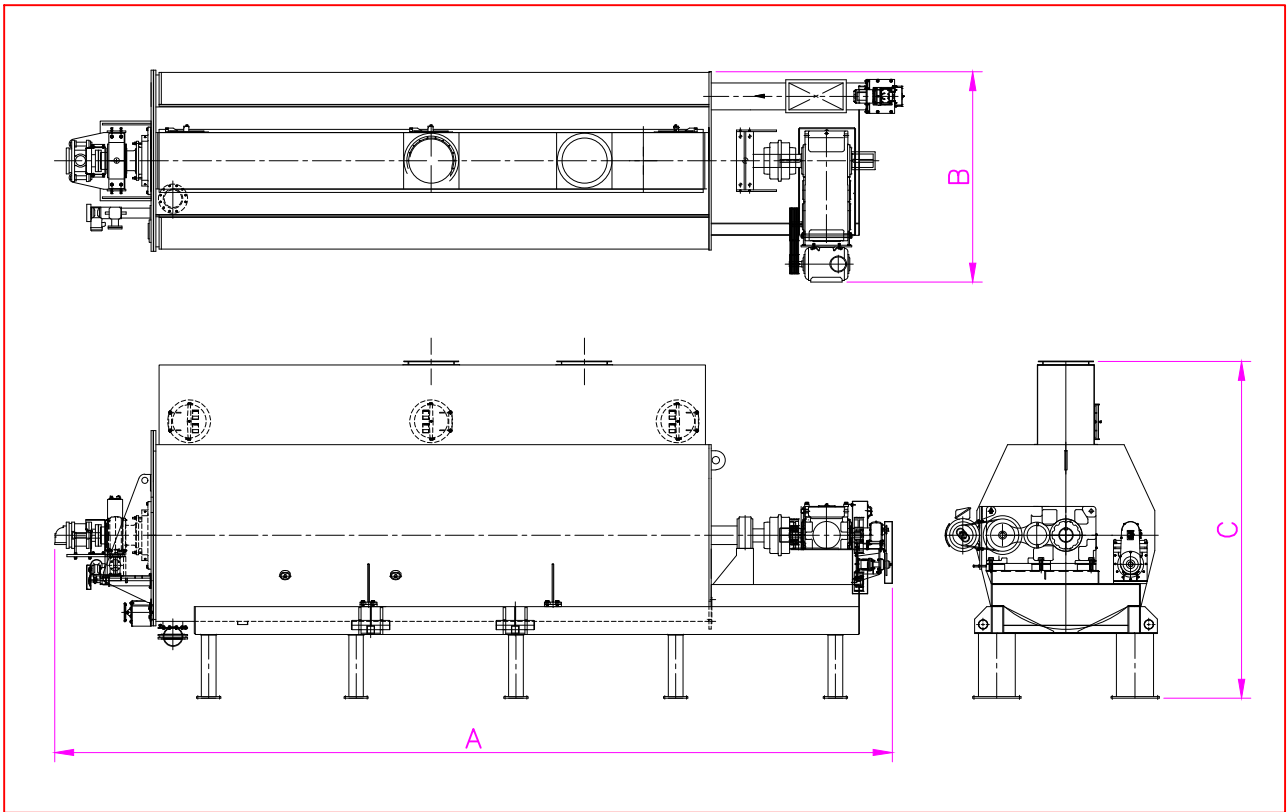
## 'U' SERIES COOKER



### FEATURES

- Large capacity, high evaporative rate and easy control.
- Recirculating oil system on main shaft bearings for longer oil and bearing life.
- Up to 408 square metres of heat transfer.
- Evaporation rates exceeding 15,000 kg/hr
- Full length stainless steel vapour dome provides more area for vapour release, allows less entrainment & better cooking.
- Doors on vapour dome allow total shaft access for easy inspection & maintenance.
- Full length chassis for uniform load distribution & rigid drive mounting.
- Direct coupled, base mounted reducer.
- Rugged gearing is mounted in a welded steel housing.
- Heavy walled satellite tubes for long life.
- Optional feature, bottom discharge





## SPECIFICATIONS

SIZE	A	B	C	SHIPPING WEIGHT	AVERAGE EVAPOTATION RATE	PACKAGE WEIGHT
	MM	MM	MM	KGS	KGS/HR	KGS
220U	13870	3145	5140	78020	7500	86185
260U	13870	3475	5565	83465	9000	90720
320U	15470	3475	5565	98980	11000	103370
380U	17835	3785	5725	118845	13000	134905
440U	19560	3785	5725	134585	15000	150915



Keith Engineering (Australia) Pty. Ltd.  
20 Kellet Close, Erskine Park, NSW

PO Box 354, St. Clair  
NSW 2759

T 02 9852 1000  
F 02 9852 1001

admin@keitheng.com.au  
www.keitheng.com