



SD-7124

WATERPROOF RUNNING MAN SIGN
LED LIGHT



MAIN FEATURES

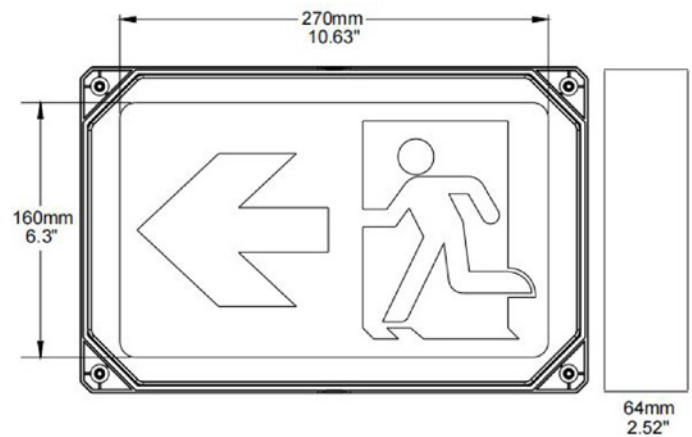
12 MONTHS WARRANTY

BENEFITS

- Universal field-selectable single-/double-face
- Wall, end and ceiling mounting
- Suitable for Wet Locations
- CSA C22.2 No. 141-15 Performance Certified

SPECIFICATIONS

- Illumination: Long-life, high-intensity LEDs
- Housing: Thermoplastic + PC diffuser
- Single or double face available
- UL-94-V0 flame-retardant, fire-resistant
- Legend: Fully illuminated 6 in characters
- Input Voltage: 120-347VAC 60Hz
- Input Rating: 4.5W, 55mA
- Battery: Maintenance-free 3.6V Ni-CD battery
- Operating Temperature: -20°C to 40°C (-4°F to 104°F)
- Charging time: 24 hours
- Discharge time: 120 minutes
- Mounting: Wall, end and ceiling
- Finish: White
- Dimension: 270*160*64 mm (10.53 x 6.3 x 2.52 in)
- Certifications:
 - » UL 924 Listed for Wet Locations
 - » Meets NFPA 101 Life Safety Code, NEC, OSHA
 - » CSA C22.2 No. 141-15 performance certified



MOUNTING

- Wall, End and Ceiling