

SD-10024 / 23 / 197

RUNNING MAN SIGN - PLASTIC

DESCRIPTION

- Injection-Molded thermoplastic housing
- UL 94-5VA flame rating, fire retardant
- Super bright and long lasting LEDs
- Universal AC input voltage 120-347VAC
- Test switch and AC-ON indicator
- Universal Mounting: Wall/Ceiling/Side Mounting
- Single or double face with changeable legends
- Combo heads adjustable 2 * 1W or 2W
- 120 minutes battery backup time
- Suitable for damp Locations
- Overcharge and over-discharge protection
- Operating temperature: 0°C ~ 40°C/32°F ~ 104°F
- Remote heads compatible (Max. 4.8W)*
- 1-Year Warranty
- ULc Certified to C22.2-NO141-10

Comes standard with 3 pictogram legends for direction selection (single / double face)



*Remote Add-ons (only available for 10197)



2 Units Max
SD-10195
SD-10029



1 Unit Max
SD-10196
SD-10030

BACKUP TIME

120

MINUTES APPROX.

RECHARGE TIME

24/48

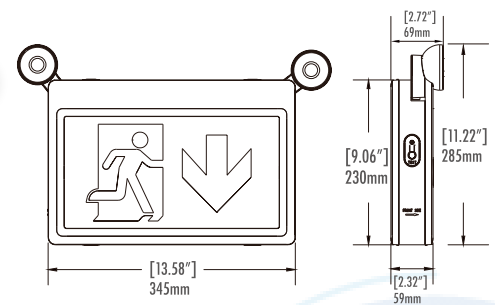
HOURS

KEY FEATURES

Product Code	SD-10024	SD-10023	SD-10197
Description	Plastic sign	Plastic sign combo	Plastic sign combo (Remote Capable)
Light Source	SMD2835 (14pcs)	SMD2835 (14pcs) & 3030 (2pcs)	SMD2835 (14pcs) & 3030 (2pcs)
Input Voltage	AC120-347V, 60Hz, 80mA	AC120-347V, 60Hz, 80mA	AC120-347V, 60Hz, 80mA
Input Power	4.5W	4.5W	4.5W
Emergency Power	1W	3W	3W
LED Heads	N/A	2 * 1W	2 * 2W
Luminance Flux	N/A	≥120lm	≥120lm
Emergency Duration	120 Minutes	120 Minutes	120 Minutes
Battery	Ni-Cd 3.6V, 900mAh	Ni-Cd 3.6V, 1800mAh	Ni-Cd 3.6V, 3600mAh
Recharge Times	24 Hrs	24 Hrs	48 Hrs
Remote Capable	N/A	N/A	3.6V, 4.8W
Max. Mounting Height	N/A	20 ft (6.0m)	22.7 ft (6.8m)
Instruction Sheet	VIEW	VIEW	VIEW



SD-10023
SD-10197



SD-10024

