

SD-10025 / SD-10026

RUNNING MAN SIGN - STEEL

DESCRIPTION

- Steel housing
- Super bright and long lasting LEDs
- Powder coated steel frame
- Universal AC input voltage 120/347VAC
- Test switch and AC-ON indicator
- Universal Mounting: Wall/Ceiling/Side Mounting
- Single or double face with changeable legends
- Combo heads adjustable 2 * 0.8W
- 90 minutes battery backup time
- Suitable for damp Locations
- Overcharge and over-discharge protection
- Operating temperature: 0°C ~ 40°C/32°F ~ 104°F
- 1-Year Warranty
- ULc Certified to C22.2-NO141-10

Comes standard with 3 pictogram legends for direction selection (single / double face)



BACKUP TIME

90

MINUTES APPROX.

RECHARGE TIME

24

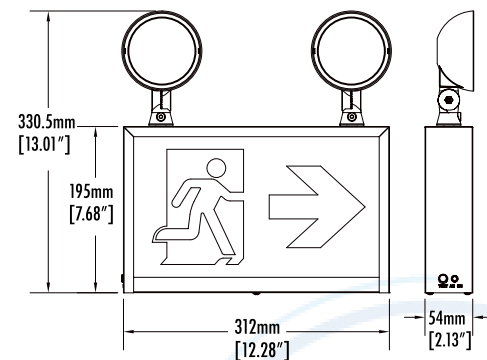
HOURS

KEY FEATURES

Product Code	SD-10025	SD-10026
Description	Metal sign combo	Metal sign
Light Source	White DIP5mm (9pcs) & SMD2835 (24pcs)	SMD2835(24pcs)
Input Voltage	AC120/347V, 60Hz, 50mA	AC120/347V, 60Hz, 50mA
Input Power	4W	4W
Emergency Power	1.8W	1.8W
LED Heads	2 * 0.8W	N/A
Luminance Flux	≥100lm	N/A
Emergency Duration	90 Minutes	90 Minutes
Battery	Ni-Cd 3.6V, 1200mAh	Ni-Cd 3.6V, 600mAh
Recharge Times	24 Hrs	24 Hrs
Remote Capable	N/A	N/A
Max. Mounting Height	8.4 ft (2.6m)	N/A
Instruction Sheet	VIEW	VIEW



SD-10025



SD-10026

