



FLUSSO

COLLECTION

The Everyday Made Exceptional





About Us

The Flusso Collection delivers an essential truth: you shouldn't have to compromise on quality for your budget. Our mission is to create beautifully designed sinks and taps that represent exceptional value without cutting corners.

We pride ourselves on using superior, sustainable materials like durable medical-grade stainless steel and responsible low-lead brass, all precision-milled for reliable function. Every product undergoes rigorous testing that exceeds WRAS standards, backed by our excellent, industry-leading warranty.

Flusso provides the lasting performance and ethical conscience you demand, paired with genuinely customer-focused service.



Sink: Linea 500
Tap: Aria CS Twin Lever Chrome

The Flusso Collection

In the modern home, true luxury is found at the intersection of flawless design, enduring performance, and ethical responsibility.

The Flusso Collection is crafted for the savvy homeowner, the one who seeks exceptional quality at everyday prices, delivering precision products for your daily life without compromising your budget. With the Flusso Collection, the discerning consumer no longer has to choose between quality and affordability.

Our experience doesn't end with the purchase. Our customer-focused service ensures you have the support, and expertise needed for every step of your journey.



Key Features & Benefits

Exceptional Value

Premium quality and sophisticated design offered at genuinely accessible, everyday prices.

Built to Last

Constructed from superior materials, including durable medical-grade 1810 stainless steel or high-quality, low-lead brass.

Precision Performance

Features precision-milled components ensuring flawless function, easy installation, and long-term reliability.

Eco-Conscious Commitment

Designed with the planet in mind, featuring water-saving aerators that restrict flow without compromising pressure, and packaged using fully recyclable materials.

Peace of Mind

Rigorously tested to exceed WRAS standards for safety and water efficiency, backed by a comprehensive warranty.

Customer-Focused Service

Dedicated UK support, based in Leamington Spa, ensuring a smooth experience from selection through to installation and beyond.

FLUSSO



Flusso Sinks

Flusso Collection sinks offer a mix of classic and contemporary design, our collection offers exceptional sinks at prices you can enjoy.

UP TO
50%
THICKER steel than
leading brands

1.2mm



All our sinks are produced in 1.2mm 1810 medical grade steel for quality and performance purposes.

What this means for you:

- Improved Heat Retention
- Enhanced Durability
- Reduced Flex and Warp
- Superior Noise Reduction





SUPERIOR SINK INSULATION

All our sinks are supplied insulated and powder coated to deliver enhanced daily performance over many of our competitors.

What this means for you:

Prevents Sweating & Moisture Damage

Improved Heat Regulation

Superior Noise Reduction

Improved Durability

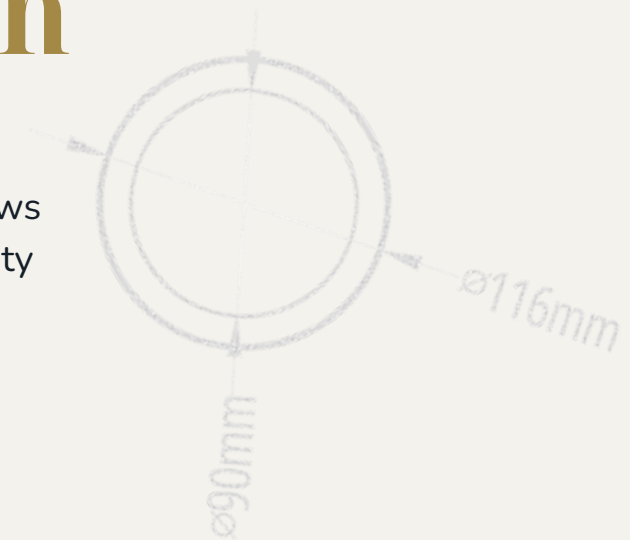
Dampens Vibrations



Sink: Essenza 550
Tap: Aria CS Twin Lever Chrome

Essenza Collection

The Essenza collection's curved design is built to perform. With durable 1.2mm 1810 grade steel, concealed overflows and premium insulation, it gives you the comfort and quality of a more premium range.



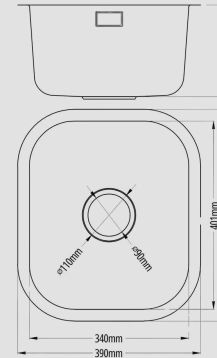
Essenza Collection

- Undermount bowl
- Satin finish
- 1.2mm stainless steel
- Concealed overflow
- 3.5" basket strainer waste and overflow included
- Powder coated for insulation and sound deadening
- Eco packaging

Essenza 340

Order Code: WL/0101

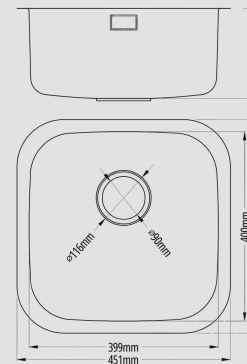
400
cabinet



Essenza 400

Order Code: WL/0102

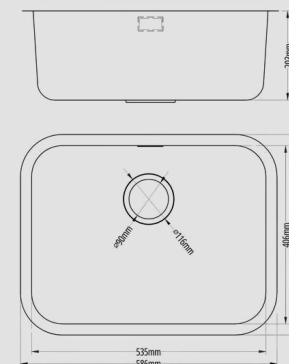
450
cabinet



Essenza 550

Order Code: WL/0103

600
cabinet

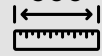


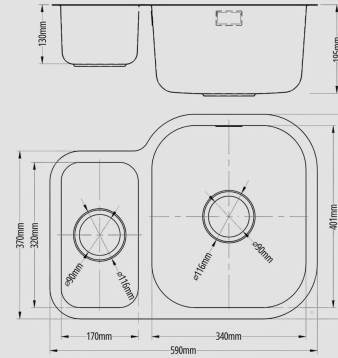
Essenza Collection

- Undermount bowl
- Satin finish
- 1.2mm stainless steel
- Concealed overflow
- 3.5" basket strainer waste and overflow included
- Powder coated for insulation and sound deadening
- Eco packaging

Essenza 1.5 SBL

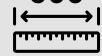
Order Code: WL/0104

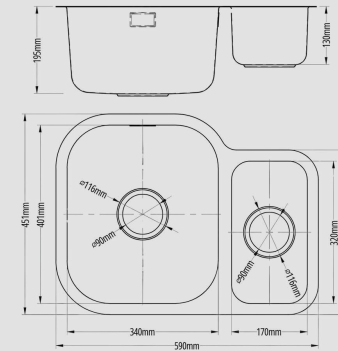
600

 cabinet



Essenza 1.5 SBR

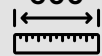
Order Code: WL/0105

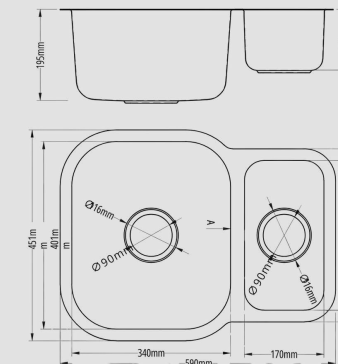
600

 cabinet



Essenza 1.5 REV

Order Code: WL/0106

600

 cabinet



SBL - Small Bowl Left
 SBR - Small Bowl Right



Sink: Fonte 1.5 SBR
Tap: Aria HS Single Lever Chrome

The image features a technical drawing of a rectangular tray with rounded corners. The drawing includes several dimension lines: a vertical dimension of 120mm on the left side, a horizontal dimension of 340mm at the bottom right, and a horizontal dimension of 580mm at the bottom left. Two circular details are shown, each with an outer diameter of 116mm and an inner diameter of 90mm. The text 'Fonte Collection' is centered in a large, bold, serif font. Below it, a paragraph describes the collection's design. The background is a light, textured surface.

Fonte Collection


The Fonte Collection brings a modern look with smooth lines and easy usability. Its 25mm radius blends crisp structure with gentle curves for a balanced, refined finish.

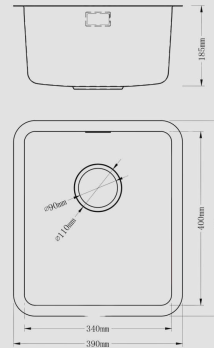
Fonte Collection

- Undermount bowl
- Satin finish
- 25mm radius
- 1.2mm stainless steel
- Concealed overflow
- 3.5" basket strainer waste and overflow included
- Powder coated for insulation and sound deadening
- Eco packaging

Fonte 340

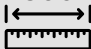
Order Code: WL/0201

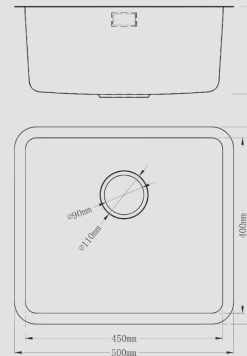
400

cabinet



Fonte 450

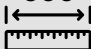
Order Code: WL/0202

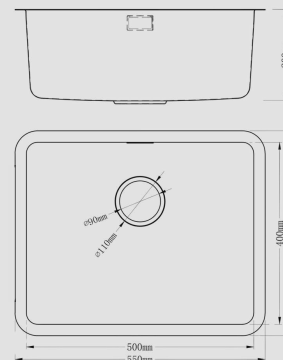
500

cabinet



Fonte 500

Order Code: WL/0203

600

cabinet

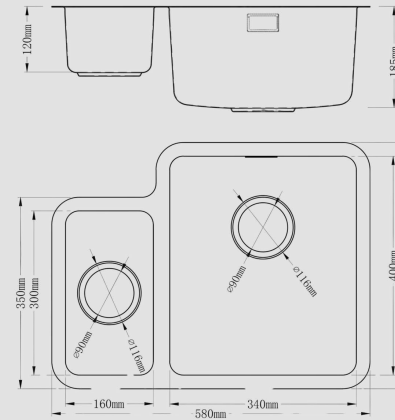


Fonte Collection

- Undermount bowl
- Satin finish
- 25mm radius
- 1.2mm stainless steel
- Concealed overflow
- 3.5" basket strainer waste and overflow included
- Powder coated for insulation and sound deadening
- Eco packaging

Fonte 1.5 SBL

Order Code: WL/0204

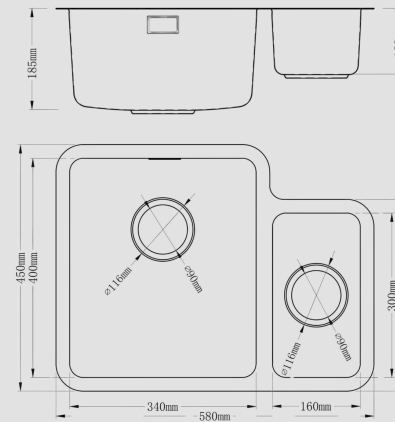


600
cabinet



Fonte 1.5 SBR

Order Code: WL/0205



600
cabinet



SBL - Small Bowl Left
SBR - Small Bowl Right



Sink: Linea 1.5 SBR
Tap: Aria HS Single Lever Chrome

The background is a technical drawing of a mechanical part, possibly a flange or a mounting plate. It features a central circular hole with a diameter of 90 units. The overall width of the part is 440 units, and its height is 400 units. A fillet with a radius of R10 is shown at the bottom-left corner. A circular feature on the right side has a diameter of 114 units. A dimension of 170 is shown at the top left, and a dimension of 25 is shown on the left side. A note indicates a thickness of 1.0. The drawing uses various line styles, including solid, dashed, and dimension lines, to define the geometry and tolerances of the part.

Linea Collection

Our Linea collection is all about architectural sharp lines.
A contemporary statement collection that exudes modern
luxury and delivers functional excellence.

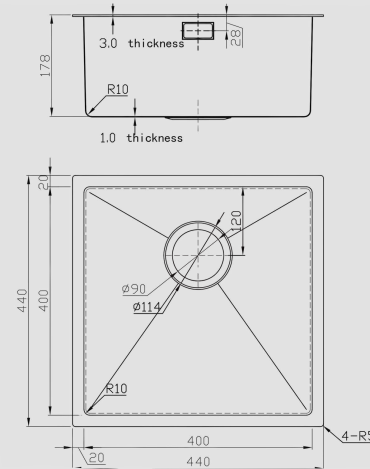
Linea Collection

- Handmade undermount bowl
- Option for top mount insulation
- Satin finish
- Top deck 3mm for superior strength
- 10mm radius internal corners
- 1.0mm stainless steel
- Concealed overflow
- 3.5" basket strainer waste and overflow included
- Powder coated for insulation and sound deadening
- Eco packaging

Linea 400

Order Code: WL/0301

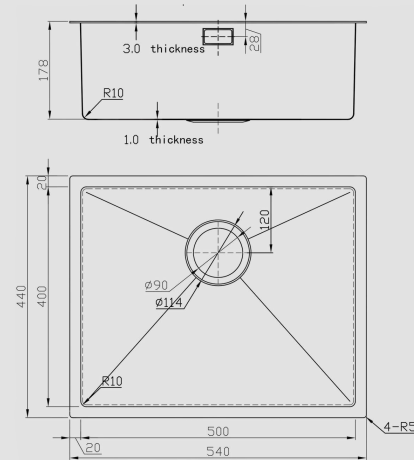
450
cabinet



Linea 500

Order Code: WL/0302

600
cabinet



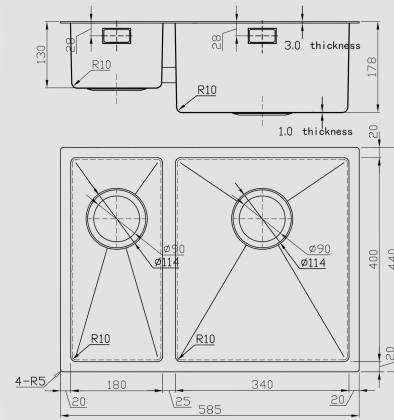
Linea Collection

- Handmade undermount bowl
- Option for top mount insulation
- Satin finish
- Top deck 3mm for superior strength
- 10mm radius internal corners
- 1.0mm stainless steel
- Concealed overflow
- 3.5" basket strainer waste and overflow included
- Powder coated for insulation and sound deadening
- Eco packaging

Linea 1.5 SBL

Order Code: WL/0303

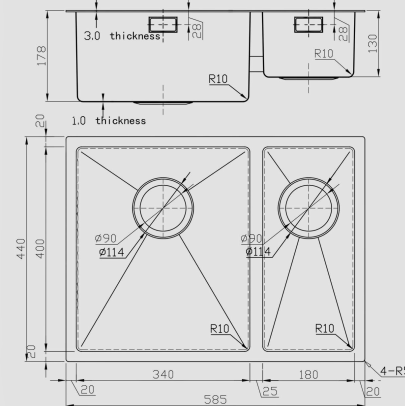
600
cabinet



Linea 1.5 SBR

Order Code: WL/0304

600
cabinet



SBL - Small Bowl Left
SBR - Small Bowl Right

400
cabinet



Eszenza 340
WL/0101



Fonte 340
WL/0201

450
cabinet



Eszenza 400
WL/0102



Linea 400
WL/0301

500
cabinet



Fonte 450
WL/0202

600
cabinet



Eszenza 550
WL/0103



Eszenza 1.5 SBL
WL/0104



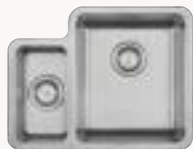
Eszenza 1.5 SBR
WL/0105



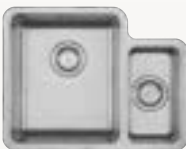
Eszenza 1.5 REV
WL/0106



Fonte 500
WL/0203



Fonte 1.5 SBL
WL/0204



Fonte 1.5 SBR
WL/0205



Linea 500
WL/0302



Linea 1.5 SBL
WL/0303



Linea 1.5 SBR
WL/0304

The background features a technical drawing of a tap handle. The drawing includes several dimensions and part numbers: a diameter of $\phi 24^{+0}_{-0.5}$, a diameter of $\phi 42^{+0}_{-1}$, and part numbers 340F3 and 264F3. The drawing is oriented diagonally across the page.

Flusso Taps

Flusso Collection taps focus on bold styling and engineering excellence, our collection offers exceptional quality at everyday prices.



Sink: Linea 500
Tap: Aria CS Twin Lever Chrome

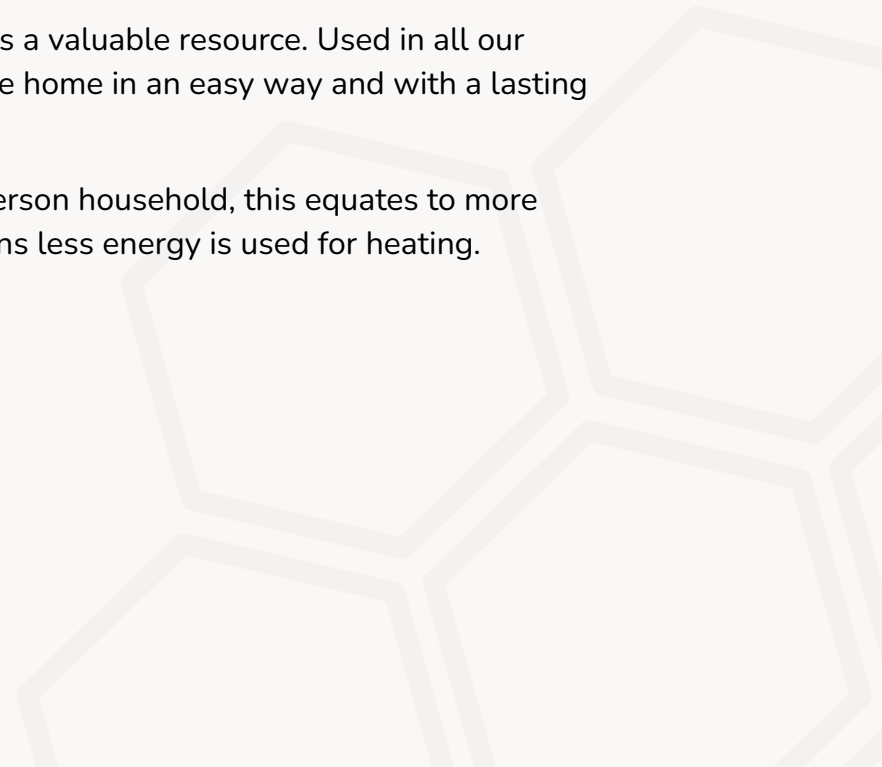
Buy with confidence

All our taps are manufactured with high quality components.

From their aerator to their cartridge to their tails, each element has been manufactured by a leading technology company that offers innovative solutions for drinking water. These products shape the water stream, regulate the water temperature and flow rate, and protect the water from contamination. Meaning you have peace of mind when buying our products.

Not only are they safe but they also promote the responsible use of drinking water as a valuable resource. Used in all our kitchen taps, the aerators reduce water flow and therefore energy consumption in the home in an easy way and with a lasting effect.

Each user can save up to 35 litres of water per day with Flusso products. In a four-person household, this equates to more than 300 baths a year. And with hot water you save twice over: less water also means less energy is used for heating.





Sink: Essenza 1.5 SBR
Tap: Aria HS Single Lever Chrome

A technical drawing of a tap assembly, showing various components and dimensions. The drawing is rendered in a light blue color on a white background. It includes a central vertical shaft with a handle at the top, a tap body in the middle, and a tap handle at the bottom. Dimensions are indicated with circles and arrows, such as $\phi 24$ and $\phi 42 \pm 0.5$. The drawing is oriented diagonally from the top-left to the bottom-right.

Aria Collection

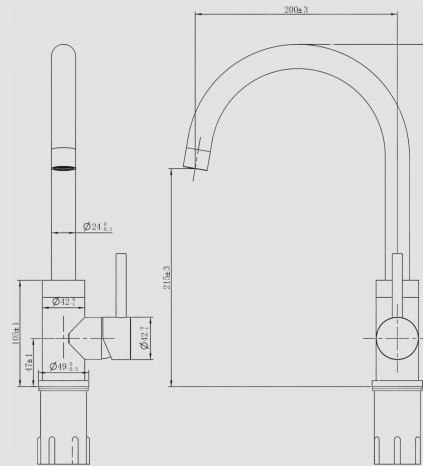
The Aria tap collection is a mix of timeless and versatile taps, offering a combination of modern styling and engineering excellence.

Aria Collection

- Chrome finish
- Neoperl aerators
- Sedal cartridges
- ½ inch flexible tails included
- Eco packaging

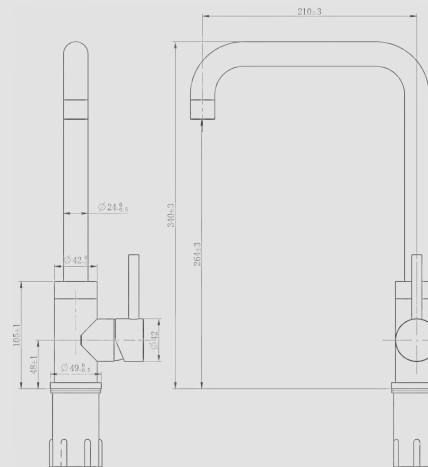
Aria CS Single Lever Chrome

Order Code: WL/0501/CH



Aria SS Single Lever Chrome

Order Code: WL/0502/CH



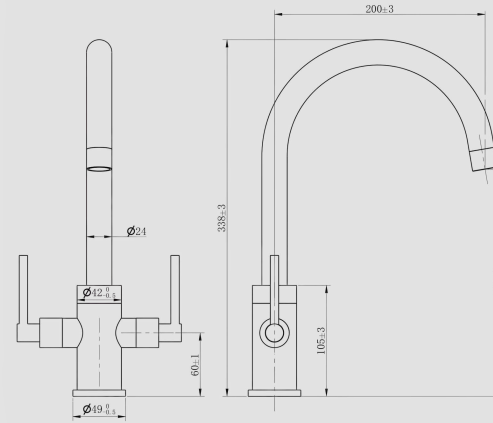
Recommended operating pressure 1 bar
Minimum operating pressure 0.5 bar

Aria Collection

- Chrome finish
- Neoperl aerators
- Sedal cartridges
- ½ inch flexible tails included
- Eco packaging

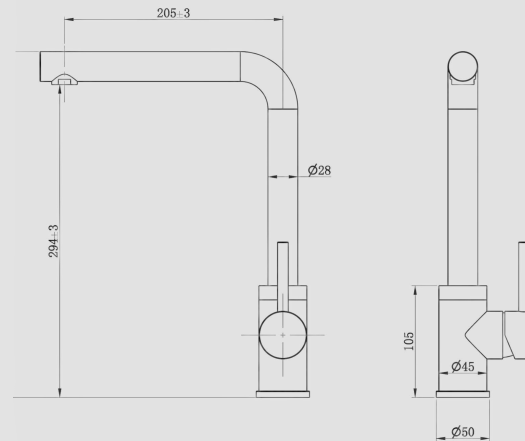
Aria CS Twin Lever Chrome

Order Code: WL/0503/CH



Aria HS Single Lever Chrome

Order Code: WL/0504/CH



Recommended operating pressure 1 bar
Minimum operating pressure 0.5 bar

Warranty Information

At Flusso, we believe in our products. Based on years of development and refinement, we're confident in the products we send to your homes. Our warranties are a reflection of the quality of our products and our certainty against defects. Each product range has a specific warranty.

Sinks

75-Year Warranty: Covers manufacturing defects in material and workmanship for normal residential use.

Taps

Mechanical Parts: 2-year warranty against manufacturing defects.
Finishes: Generally a 5-year warranty, but check specific product details.

What's Not Covered

Accidental damage, misuse, abuse, or scratches.
Improper installation or abnormal usage.
Damage from poor maintenance or cleaning



FLUSSO

COLLECTION

01926 430626

6 Heathcote Way, Leamington Spa, CV34 6TE

hello@flussocollection.com

flussocollection.com



[@flussocollection](https://www.instagram.com/flussocollection)