

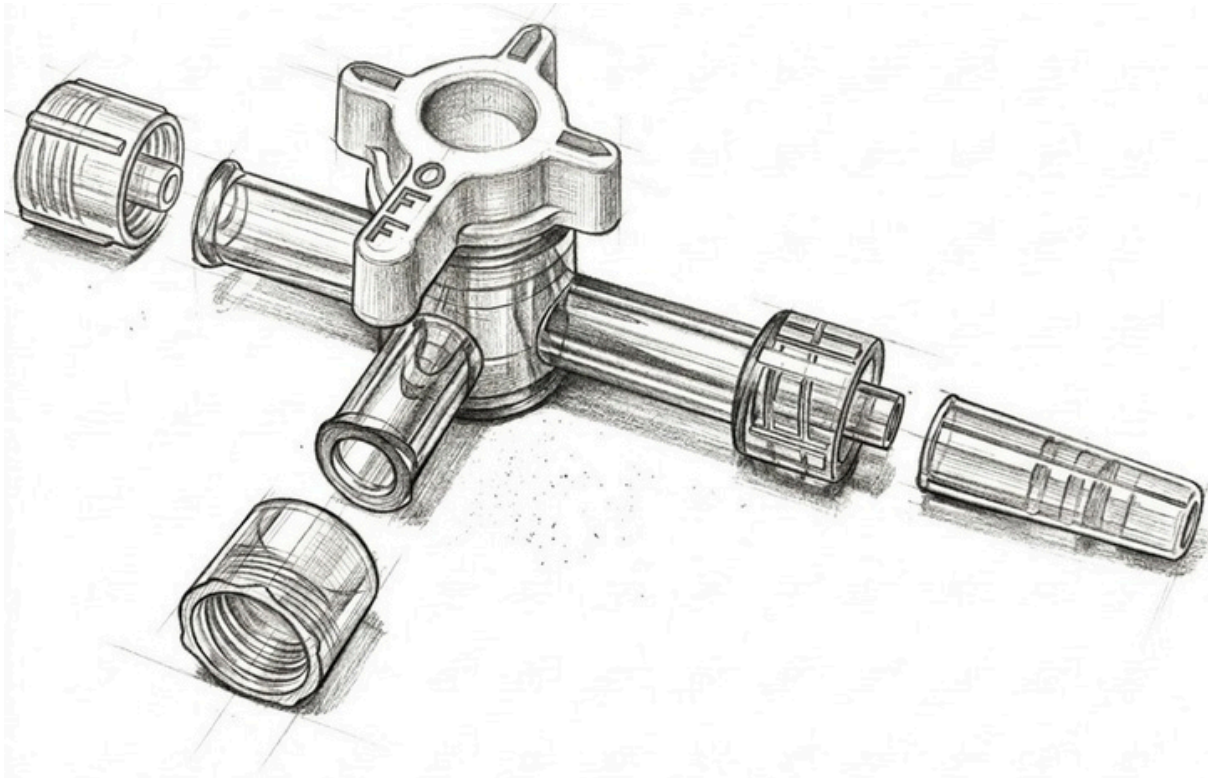
**TRIOFLUSS™**

Generic name: 3 way stopcock

Brand name: TRIOFLUSS

Product code: SCM3W

Product Mfg Ref code: SM-TW



TRIOFLUSS is a sterile medical device used to control and direct the flow of fluids between multiple lines without disconnecting the system. It consists of

- A 3way stopcock valve
- A rotating handle to control flow direction
- One male luer lock and two female ports.

### Indications For Use

- **IV Therapy:** TRIOFLUSS enables multiple drugs or fluids to be administered via one IV site. This reduces the need for multiple needle insertions, which can be uncomfortable for patients and increase the risk of infection.
- **Blood Transfusions:** TRIOFLUSS can connect the IV line to the blood bag for a seamless transfusion process. It also allows for additional fluids or medications to be administered simultaneously.
- **Arterial Line Monitoring:** Arterial lines are used to monitor blood pressure and take blood samples from critically ill patients. TRIOFLUSS can be used to connect the arterial line to monitoring equipment and syringes for blood draws.

- Medication Administration: Healthcare providers can use TRIOFLUSS to combine or dilute medications for patients. TRIOFLUSS allows them to control the flow of fluids and medications between different lines.

## Instructions For Use

- Preparation: Always ensure you have sterile gloves and a sterile environment while handling TRIOFLUSS and connected devices.
- Assembly: Follow the instructions for attaching TRIOFLUSS to the IV-line, syringe, or other medical devices using the luer connectors.
- Priming: This step removes air bubbles from the system to prevent air embolism (air bubbles entering the bloodstream). The specific priming method may vary depending on the use case.
- Flow Control: By turning the handle on TRIOFLUSS, you can control the flow of fluids through the desired ports. The handle position typically has markings to indicate which port is open for flow.
- Disconnection: Once use is complete, properly dispose of TRIOFLUSS as medical waste.

## Contraindications

- Highly Viscous Fluids: While TRIOFLUSS is designed for lipid-resistant fluids, thicker medications like blood products or some contrast dyes might not flow smoothly through the narrow tubing. Alternative methods for administering these fluids might be preferred.
- Suspected Catheter Issues: If there are concerns about blockage or malfunction in the IV catheter, TRIOFLUSS might not effectively troubleshoot the problem.
- Damaged TRIOFLUSS: Always inspect TRIOFLUSS for cracks, leaks, or loose connections before use. A damaged TRIOFLUSS can compromise sterility and proper fluid flow.