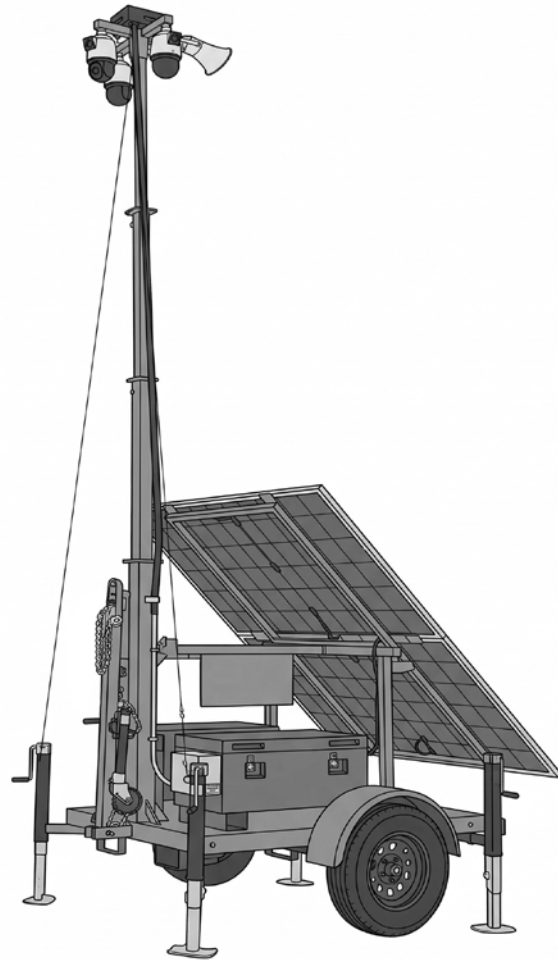


Mobile Surveillance Trailer Unit

Real-Time Video Defense System

Data Sheet



Overview

Engineered and built in the USA, SiteStream's mobile security trailer provides instant, off-grid surveillance for construction sites and critical infrastructure. This fully autonomous unit delivers total situational awareness without relying on wired power or internet.

The system pairs dual 840W bifacial solar panels with self-heating batteries to ensure uninterrupted 24/7 operation through extreme cold and heavy cloud cover. A telescoping mast supports high-definition PTZ cameras with 25X long-range zoom to eliminate blind spots. Rather than just recording, SiteStream actively deters threats using a 121 dB horn speaker for live talk-down alerts and high-intensity blue LED strobes to stop intruders immediately.

Phone number

(801) 335-9774

Offices address

195 E 100 N
Provo, UT 84606

Mail

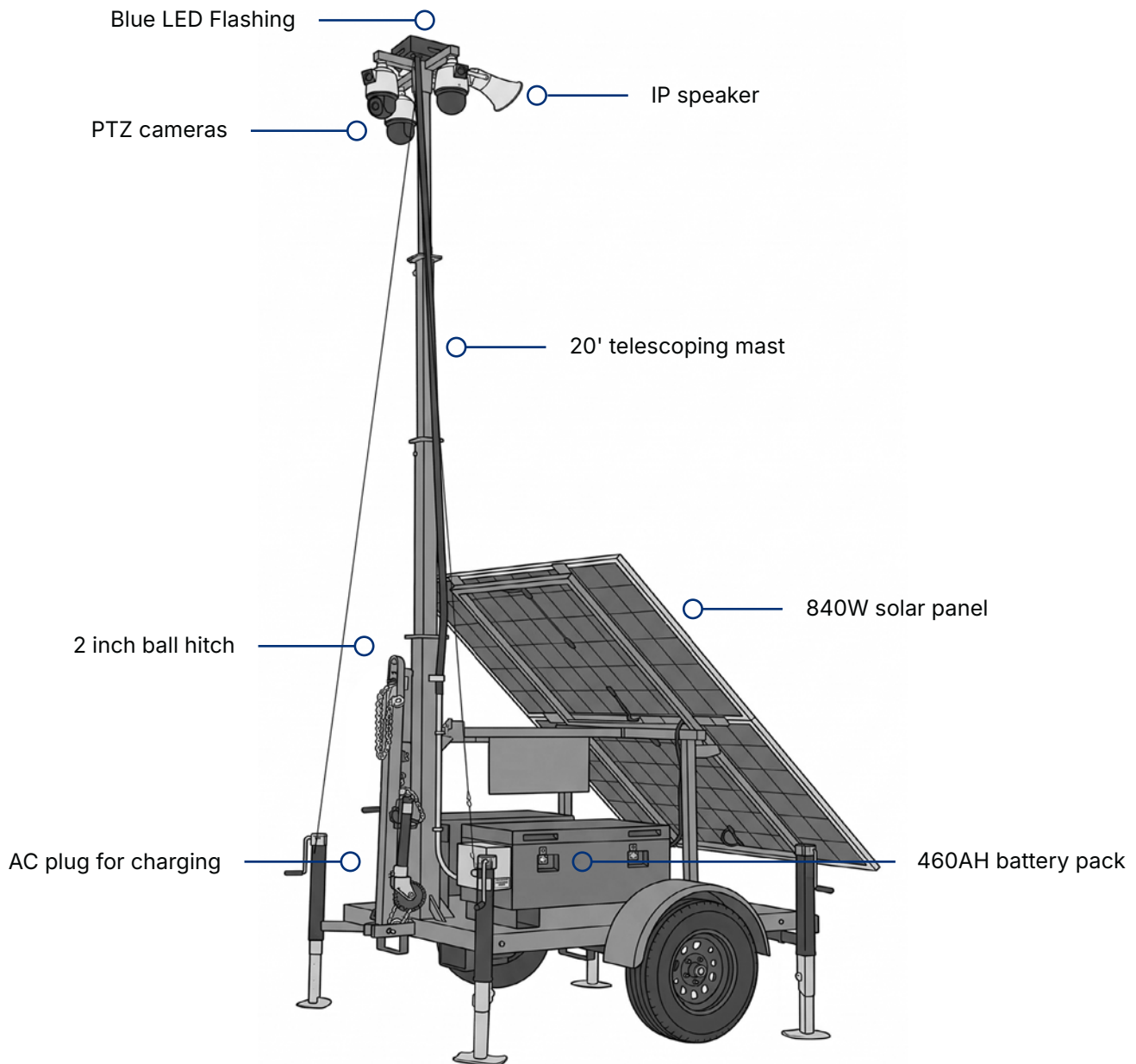
sales@sitestreamsecurity.com



Mobile Surveillance Trailer Unit

Hardware Overview

Data Sheet



Phone number

(801) 335-9774

Offices address

195 E 100 N
Provo, UT 84606

Mail

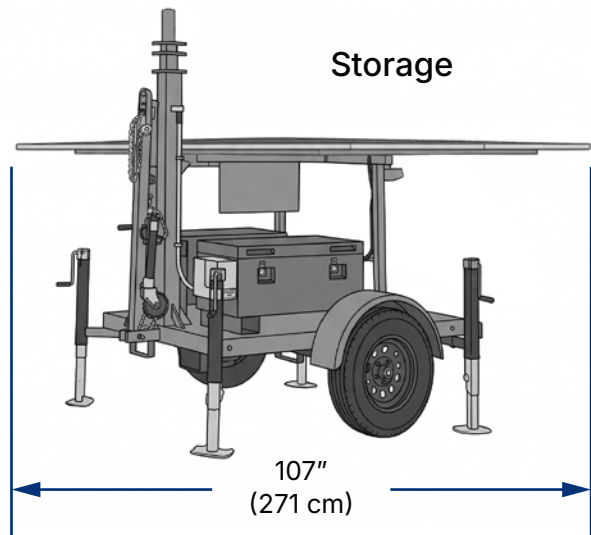
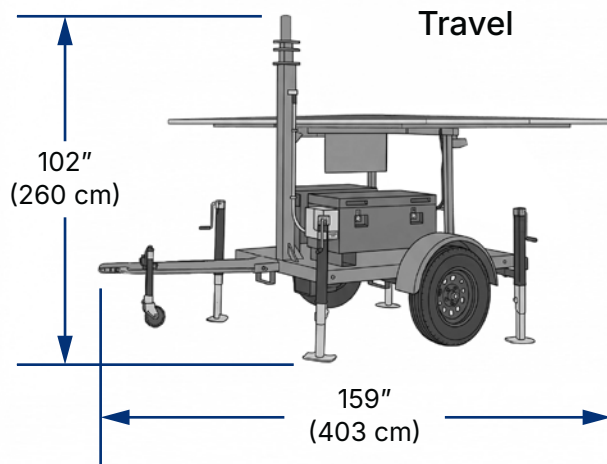
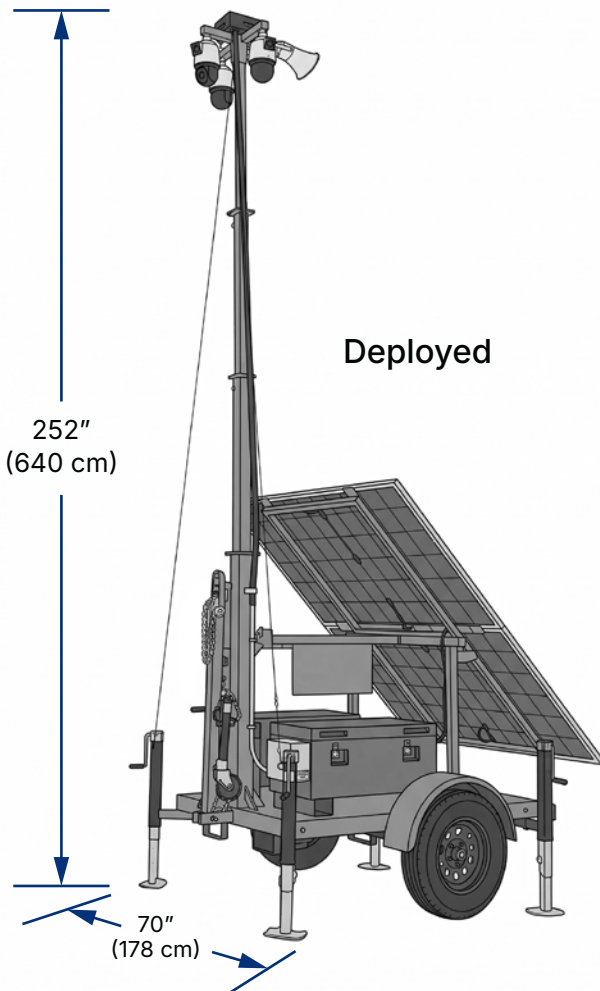
sales@sitestreamsecurity.com



Mobile Surveillance Trailer Unit

Dimensions

Data Sheet



Phone number

(801) 335-9774

Offices address

195 E 100 N
Provo, UT 84606

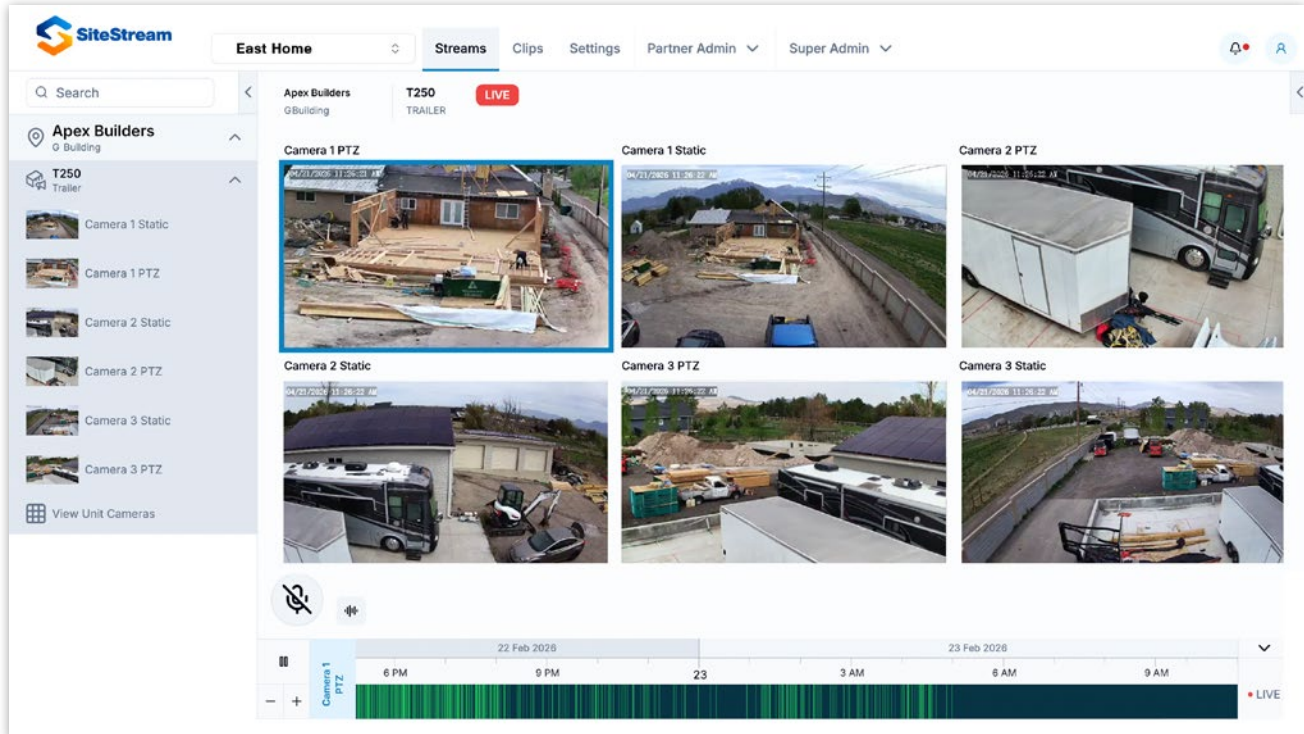
Mail

sales@sitestreamsecurity.com



Centralized Cloud Management

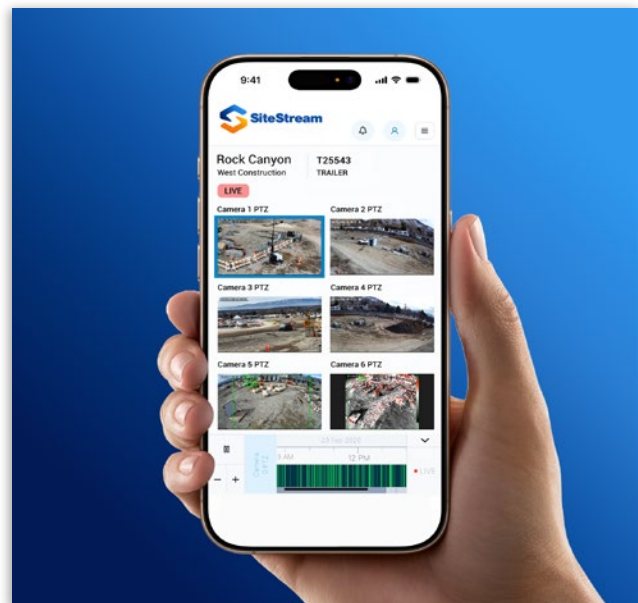
Data Sheet



24/7 Remote Site Protection

Advanced Mobile Surveillance

- Map and track your entire fleet in real time.
- Review high-level health summaries for every deployed unit.
- Check live solar yields, battery drain, and local weather.
- Track historical power data and energy consumption trends.
- Reboot or toggle power to connected devices remotely.



Phone number

(801) 335-9774

Offices address

195 E 100 N
Provo, UT 84606

Mail

sales@sitestreamsecurity.com



Tech Specs

Data Sheet

Power System

Solar Panel Capacity	840W Bifacial Solar Panels	System Monitoring	Proprietary SiteStream Cloud Platform (Web, iOS, Android)
Batteries	460AH capacity	Backup Power	Optional 5500W Generator available

Cameras

Static Camera	4.0mm wide angle lens	PTZ Camera	1080P resolution 25X optical zoom
Camera Mount	Multi-head camera box		

Trailer and Chassis

Construction	Custom Tubular steel welded construction	Tire Size	15" diameter wheels
Drawbar	Tilting drawbar Standard 2" ball hitch Swivel wheel jack	Stabilizers	4x 2,000 lb stabilizer corner jacks
Electrical Connector	Standard 4-wire flat connector	Max Towing Speed	55 mph
Tail Lights	LED combination tail light (turn, brake, tail)		

Phone number

(801) 335-9774

Offices address

195 E 100 N
Provo, UT 84606

Mail

sales@sitestreamsecurity.com



Tech Specs

Data Sheet

Tower and Mounting

Tower	20' telescoping mast	Strobe Lights	Solid Blue LED (head); Flashing Blue/White (base)
Rotation	355°		
Actuation	Manual & Electric-pow- ered winch	Wind Rating	65 mph (at full mast with stabilizers)

General

Weight	1,576 lbs	Warranty	Lifetime limited
Operating Temperature	-4 to 122° F (-20 to 50° C)	Humidity	0-95% RH non-condensing
Weather Rating	IP55		

Phone number

(801) 335-9774

Offices address

195 E 100 N
Provo, UT 84606

Mail

sales@sitestreamsecurity.com



Tech Specs

Data Sheet

Uptime Projections Outlook

Uptime calculation divides total active hours by all hours in a year to find precise system reliability rates.

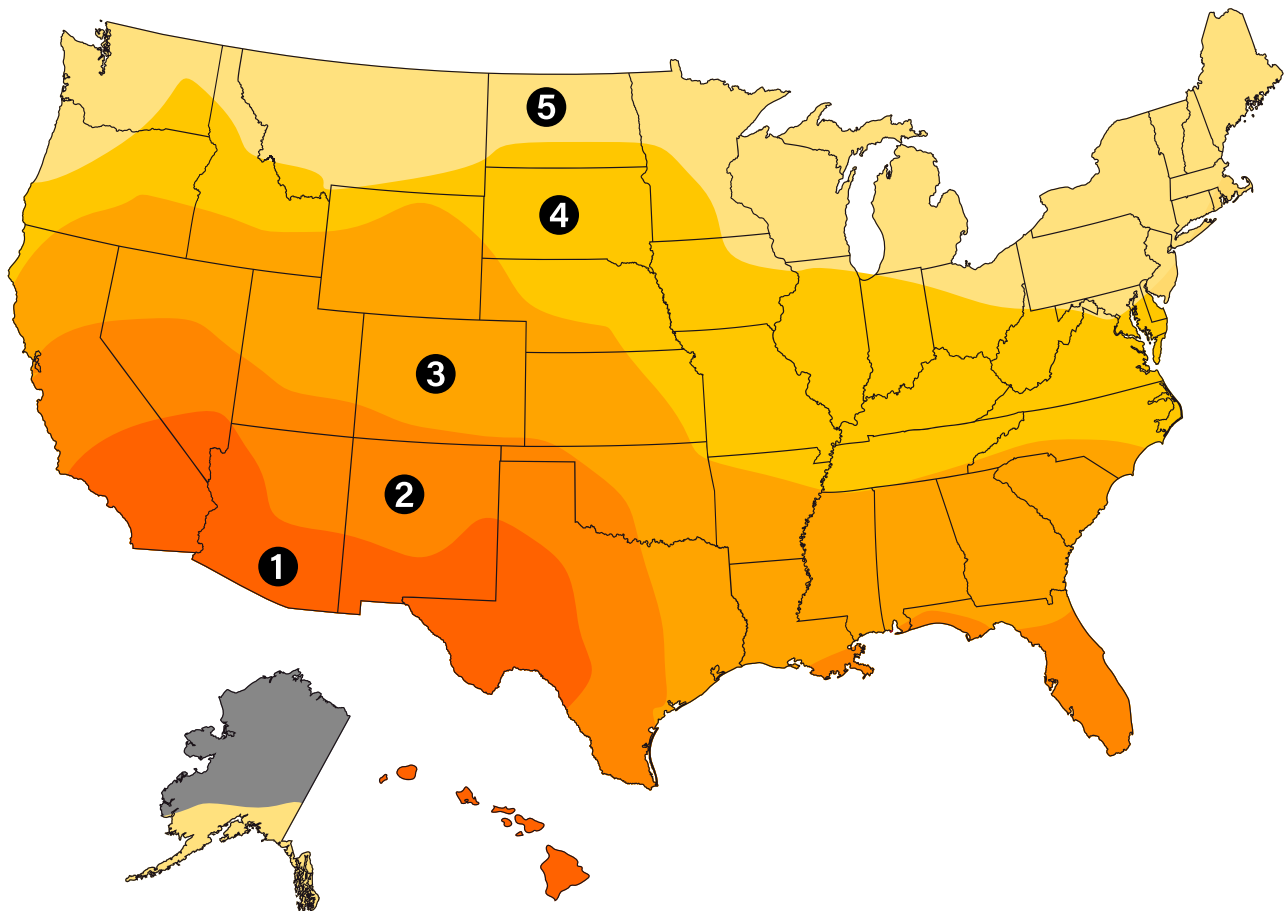
Zone 1 - 99.9% uptime - Only 10 Projected Offline Hours Per Year

Zone 2 - 99.5% uptime - Only 50 Projected Offline Hours Per Year

Zone 3 - 99% uptime - Only 100 Projected Offline Hours Per Year

Zone 4 - 97% uptime - Only 250 Projected Offline Hours Per Year

Zone 5 - 90% uptime - Only 1000 Projected Offline Hours Per Year



*For 100% reliability, use a generator or AC shore power for any deployment projecting <99% uptime

Phone number

(801) 335-9774

Offices address

195 E 100 N
Provo, UT 84606

Mail

sales@sitestreamsecurity.com

