

We are here for you

CONTACT US
Z.I. des etrapeux 70500 JUSSEY
+33 3 84 68 04 00
contact@quivogne.fr

- @QuivogneFrance
- @Quivogne_France
- @quivognefrance
- @Quivognefr

AER

Meadow aerator
roller



MADE IN FRANCE



Quivogne, the tillage specialist



AER

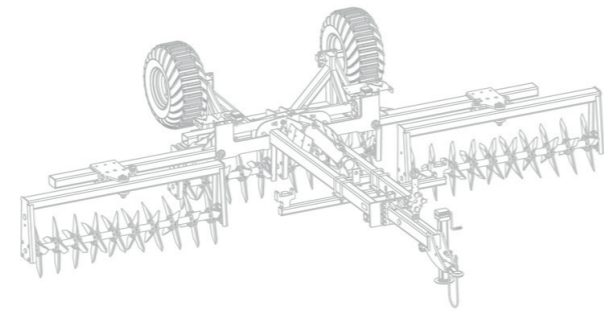
Meadow aerator roller

The AER meadow aerator from Quivogne is specially designed to eliminate compaction in the upper layer of the soil, with a working depth of up to 18.5 cm. This deep work instantly optimizes aeration and drainage, facilitating the rapid flow of water and guaranteeing an optimal supply of oxygen to the roots. The result: healthier and better irrigated meadows.

Equipped with hardened blades and knives carefully designed to not damage the grass cover, the AER ensures respectful maintenance of grass surfaces.

Thanks to a helical assembly of the blades, it advances smoothly, limiting jolts and promoting regular action over the entire worked surface.

- + **Robustness:** A solid chassis and large-diameter axles reinforce the durability of the mechanical assembly, even in demanding conditions.
- + **Additional counterweights:** For maximum penetration in all types of soils, counterweights can be added, making the AER a versatile and high-performance tool.
- + **Depth control:** The gauge wheels allow precise control of the working depth, ensuring consistent results.
- + **Working angle adjustment:** To adjust the tool's aggressiveness according to your needs, the AER is equipped with a working angle adjustment, guaranteeing suitable and respectful maintenance of meadows.



Use

The Quivogne AER is the meadow aerator roller designed to offer farmers a high-performance tool adapted to pasture maintenance. Designed with robust teeth and an optimal working width, it ensures deep aeration, reducing soil compaction and improving water and nutrient infiltration. By promoting healthy grass growth, the AER optimizes the productivity of your meadows and their durability, even after intensive trampling.

Strengths

- + Deep and efficient aeration
- + Reduction of compaction
- + Durability of materials and minimal maintenance
- + Appreciated in the fight against the invasion of mole rats and voles

Options

- + Independent hydraulic stand with hand pump
- + Flow divider
- + Hitch on lifting arm
- + Wheels 445/45-19.5
- + Gauge wheels
- + Weight support



Technical specifications

Chassis	Self-supporting
Shaft	Ø70 mm and mounted on maintenance-free bearings greased for life
Blade length	Up to 20 cm
Mounting	Helical blade assembly
Working angle	Adjustable from 0 to 10°
Rotor	Ø593 mm
Wheels	Gauge wheels 400/60x15.5

	AER 630	AER 730	AER 830	AER 950
Working width (m)	6.30	7.30	8.30	9.50
Transport width (m)	2.55			2.65
Weight (kg)	2550	3 025	3 275	3 900

Working width
6.30 to 9.50 m



Transport width
2.55 to 2.65 m



Weight
2 550 to 3 900 kg

