

We are here for you

CONTACT US
Z.I. des etrapeux 70500 JUSSEY
03 84 68 04 00
contact@quivogne.fr

-  @QuivogneFrance
-  @Quivogne_France
-  @quivognefrance
-  @Quivognefr

ROLLCUT DOUBLE SHREDDING ROLLER



Your Quivogne distributor



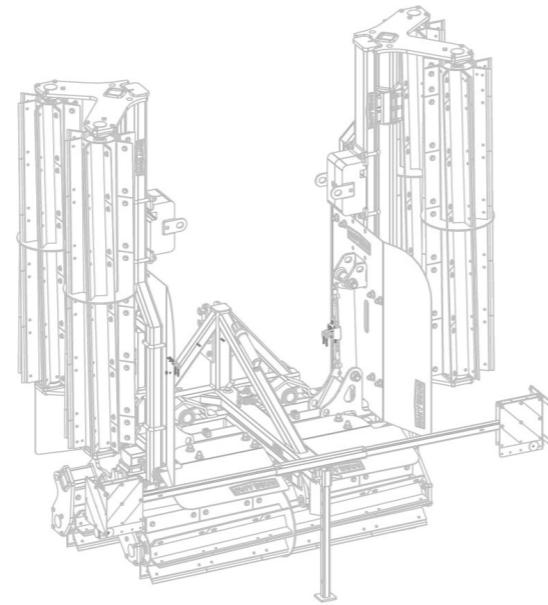
Quivogne, specialist in soil cultivation



ROLLCUT DOUBLE SHREDDING ROLLER

This shredding roller with interchangeable, reversible blades is appreciated for destroying plant cover and crop residues.

- + With its two rollers of different diameters, Ø440 mm at the front and Ø400 mm at the rear, it ensures optimum chopping and destruction.
- + It can be made heavier if required. As standard, it has a directional push linkage and, as an option, it can be a push-pull linkage.
- + The ROLLCUT is equipped with deflectors to protect the tractor from spray.
- + In the front position: the ROLLCUT guarantees optimum working conditions, as the vegetation remains intact and is not crushed by the tractor wheels.



Options

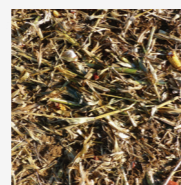
- + Directional push-pull linkage with blocking (+80 kg)
+ rear lights on folding versions
- + Set of 2 weights (2x84 kg) (2 sets available on 5 and 6m models)

Strong points

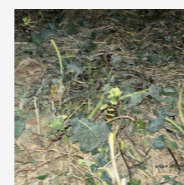
- + Fast and economical destruction – speed of 25 km/h to 30 km/h and between 1.5 L/ha and 2 L/ha of non-road diesel
- + Destroying cover crops and harvest residues without altering the soil structure
- + Increase the effects of frost on plants
- + Make the organic rotting easier



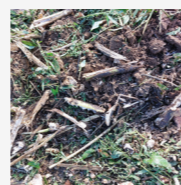
SILAGE
MAIZE



GRAIN
MAIZE



COVER
CROPS



SUNFLOWER
RESIDUES

Technical specifications

Frame	Single-beam 140x80
Shafts	Ø60 mm and mounted on maintenance-free bearings greased for life
Rollers	8 blade-roller Ø440 at the front and Ø400 at the rear
Assembly	Helical blade assembly
Blades	Reversible, height 100 mm
Linkage	Directional push 3-point clevis linkage cat. 2 with locking
Folding	By 2 cylinders with hydraulic locking
Required hydraulic equipment	1 double-action cylinder (if folding)

	ROLLCUT 300	ROLLCUT 350	ROLLCUT 400	ROLLCUT 500	ROLLCUT 610
	Rigid	Rigid	Folding	Folding	Folding
Working width (m)	2.90	3.30	4.00	5.00	6.10
Transport width (m)	3.07	3.45	2.99	2.99	2.99
Weight (kg)	1675	1835	2570	2980	3300

Working width
3 to 6.10 m



Transport width
<3 m or <3.50 m



Weight
1675 kg to 3300 kg



Recommended power
from 100 HP

