

Aluminium Roof Access Hatch



Product Features:

Roof access hatch constructed from aluminium, with the lid available in various material options. Opening can be manual, assisted by gas struts, or electrically operated with motors.

Designed to provide safe and convenient roof access for installation and maintenance work, it is available in a wide range of sizes and configurations.

Typical Applications:

May be installed on roofs.

Materials:

Tempered aluminium (EN AW 5754), resistant to seawater and corrosion, with corrosion-resistant bearings and integrated weather-resistant hydrophobic tape.

Dimensions:

Roof opening widths: 500–1500 mm;
lengths: 600–1200 mm.

Note: Other dimensions available upon request

Weight:

Depends on the dimensions and type of infill.

Options:

Custom dimensions, Powder-coated design (any RAL colour)



Opening Angle:

Individually adjustable, allowing opening position from 0 degrees up to 90 degrees.

Roof Access:

Manual roof access system, with latch.

Controls:

M230V / M24V: Electric Motors

Standard: Manual opening with lateral springs.

Aluminium Roof Access Hatch



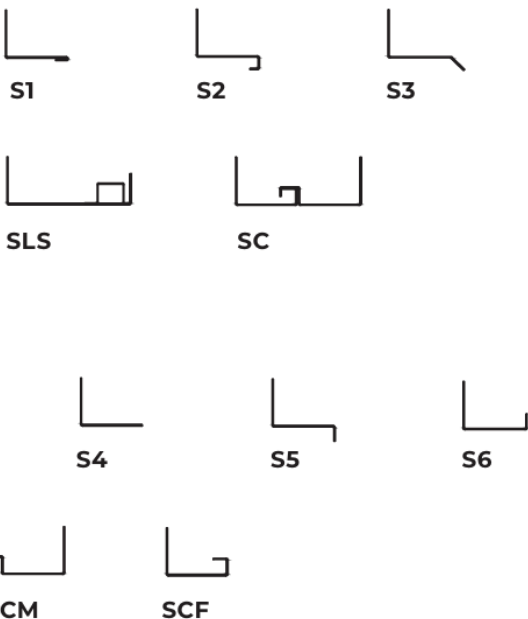
Flaps:

AL	Single aluminium
AL ISO	Double insulated aluminium (20 and 50mm)
PC16	Polycarbonate 16mm, clear or opal
PC25	Polycarbonate 25mm, clear or opal
PC32	Polycarbonate 32mm, clear or opal
TB	Thermal break in the aluminium profiles. Available for flaps of AL, ISO, PC25mm and PC32mm.

Bases:

Single aluminium.
 Double wall aluminium with insulation.
 Double wall aluminium with insulation and TB, thermal break in the aluminium base.

Note: Other non-standard bases available upon request.

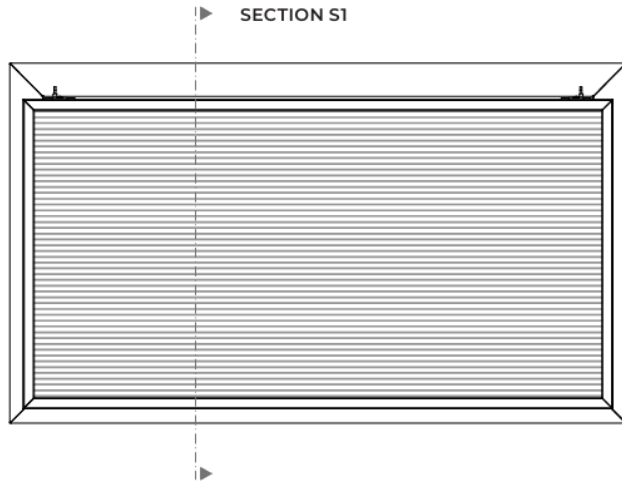


Flanges:

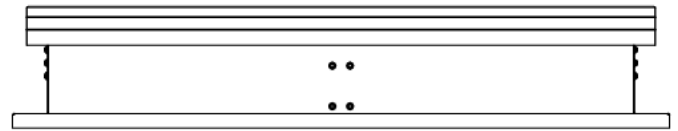
S1	Flange for single glass.
S2	Flange for double glass.
S3	Flange for roofs, 45 degree bended.
S4	Flange for roofs and facades
S5	Flange for upstand, 90 degree bended downwards
S6	Flange for 90 degree bended upwards
SLS	Flange for skylight connection, for different polycarbonate thickness.
SC	Flange for connection with other flange (vents connection). Male or female connection.
SCM	Flange for male connection.
SCF	Flange for female connection.

* Custom flange design and insulated flanges upon request

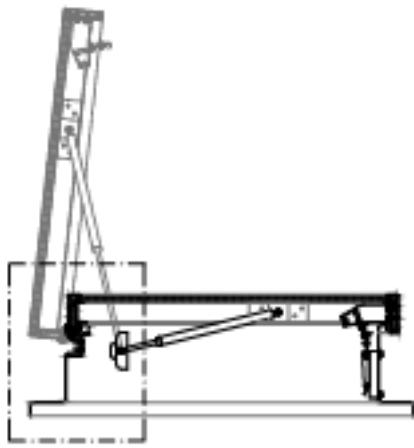
Aluminium Roof Access Hatch



TOP VIEW

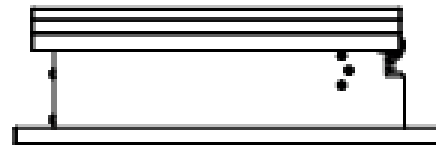


FRONT VIEW




DETAIL 01

SECTION S1 CLOSED



SIDE VIEW

 Queensgate Works, Bilston Road, Wolverhampton, West Midlands, WV2 2NJ

 01902 451 733  sales@steelwayaccessandsafety.co.uk  www.steelwayaccessandsafety.co.uk

 Part of
**NORTHERN
INDUSTRIES** Group.