

# Double Flap Smoke Vent | Louvre Ventra



### Product Features:

This double-flap smoke vent is designed for rapid removal of warm air and smoke, while also providing daily ventilation and natural daylight. It can be installed on a variety of kerbs and domes, offering flexibility across different roof types. Constructed from high-quality, corrosion-resistant aluminium, it ensures durability, watertightness and low maintenance.

The vent is manufactured to ISO 9001 standards and complies with EN 12101-2 for natural smoke and heat exhaust ventilation. Endurance-tested for 10,000 opening and closing cycles, it is available with pneumatic or electric actuation and in large sizes up to 2500 x 3500mm (W x L).

### Typical Applications:

Can be installed directly on roofs or within barrel vault daylighting systems. Ideal for warehouses, logistics centers, manufacturing facilities, and industrial environments.

### Materials:

Tempered aluminium (EN AW 5754), resistant to seawater and corrosion, with corrosion-resistant bearings. Sealant prevents freezing while maintaining low air permeability.

*Note: Aluminium is supplied untreated as standard, with the option for electrostatic powder coating in any RAL colour.*

### Dimensions:

Roof opening widths: 1000–2500 mm; lengths: 1000–3500mm.

### Regulations:

The system is EN 12101-2 certified and ATEX-compliant, tested according to Directive 2014/34/EU.

### Weight:

Depends on the dimensions and type of infill.

### Options:

Custom dimensions, Powder-coated design (any RAL colour), Bird or insect mesh, Anti-fall grid 1200 J.



### Opening Angle:

Individually adjustable from 0 up to 90 degrees,

### Acoustic Performance:

From 20 dB until 37dB depending on the type of the flap and acoustic kit.

### Controls Natural Ventilation:

M230V: Electric motor  
P2: Double pipe compressed air operation

### Controls Fire Ventilation:

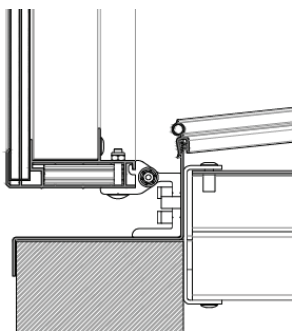
M24V: Electric motor  
P2F: Double pipe compressed air operation with fire function

# Double Flap Smoke Vent | Louvre Ventra

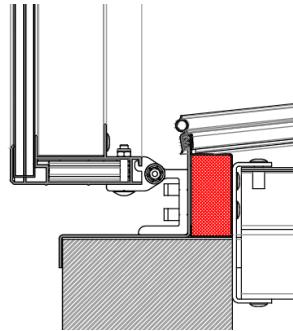


### Flaps:

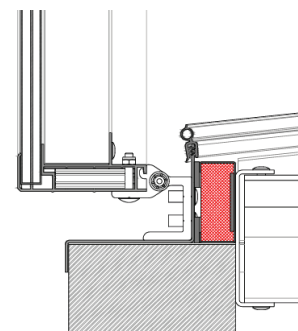
<b>SW</b>	Single aluminium	<b>PC32</b>	Polycarbonate 32mm, clear or opal
<b>AL ISO</b>	Thernally insulated aluminium	<b>TB</b>	Thermal break in the aluminium profiles. Available for flaps of AL ISO, PC35mm and PC32mm.
<b>PC16</b>	Polycarbonate 16mm, clear or opal		
<b>PC25</b>	Polycarbonate 25mm, clear or opal		



**Detail 01**  
Single aluminium.

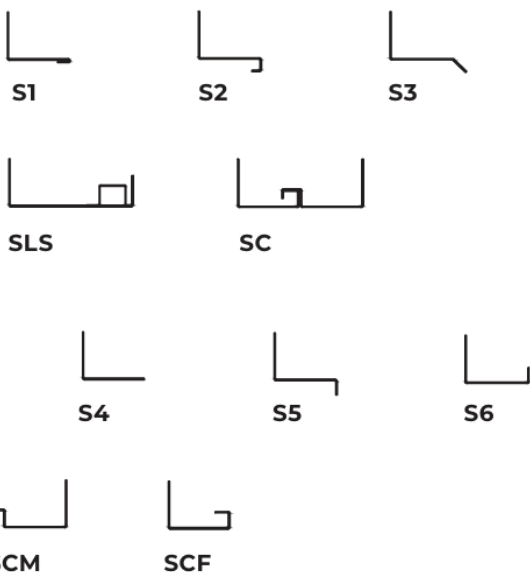


**Detail 02**  
Double wall aluminium with insulation.



**Detail 02**  
Double-wall aluminium with insulation and thermal break in the base.

**Bases:** Single aluminium. Double wall aluminium with insulation.



### Flanges:

S1	Flange for single glass.
S2	Flange for double glass.
S3	Flange for roofs, 45 degree bended.
S4	Flange for roofs and facades
S5	Flange for upstand, 90 degree bended downwards
S6	Flange for 90 degree bended upwards
SLS	Flange for skylight connection, for different polycarbonate thickness.
SC	Flange for connection with other flange (vents connection). Male or female connection.
SCM	Flange for male connection.
SCF	Flange for female connection.

\* Custom flange design and insulated flanges upon request

# Double Flap Smoke Vent | Louvre Ventra



## Standard Interior Dimensions:

Type	1010	1015	1020	1025	1030	1035	1510	1515	1520	1525	1530	1535
Width (mm)	1000						1500					
Length (mm)	1000	1500	2000	2500	3000	3500	1000	1500	2000	2500	3000	3500

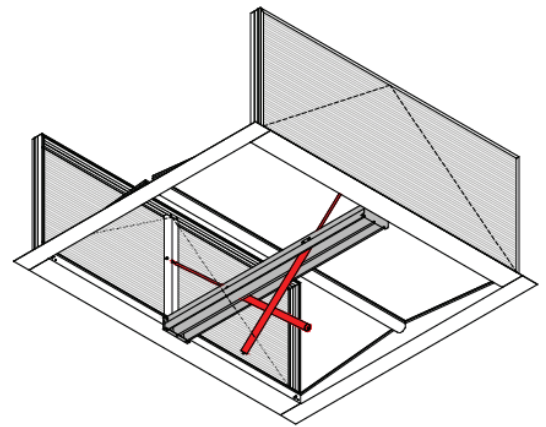
Type	2010	2015	2020	2025	W2030	2035	2510	2515	2520	2525	2530	2535
Width (mm)	2000						2500					
Length (mm)	1000	1500	2000	2500	3000	3500	1000	1500	2000	2500	3000	3500

### Double Flap System With Short Cylinders:

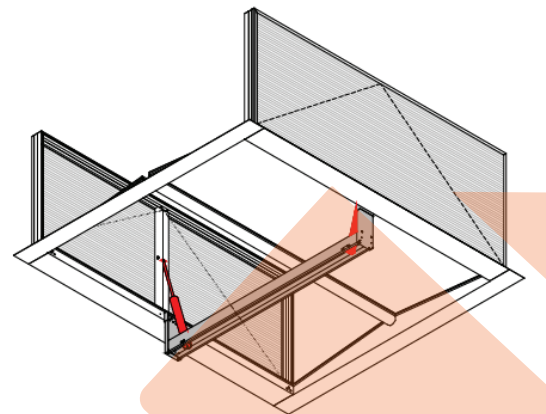
An alternative configuration with short cylinders is available for projects where standard cylinders may clash with existing pipework, structural beams, or other on-site obstructions. This option ensures safe and practical installation in restricted roof spaces.

#### Available sizes:

Width: 1200–2300 mm  
Length: 1000–3000 mm



Bottom Perspective View OPEN opening system

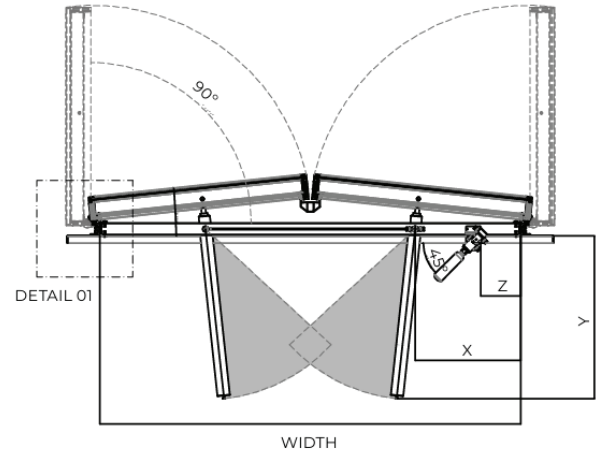
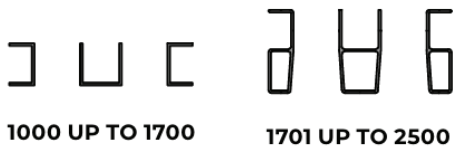
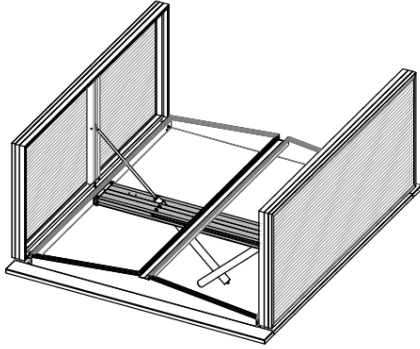


Bottom Perspective View OPEN opening system

# Double Flap Smoke Vent | Louvre Ventra

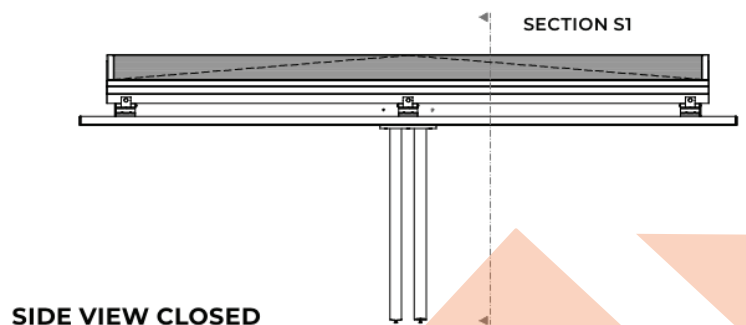
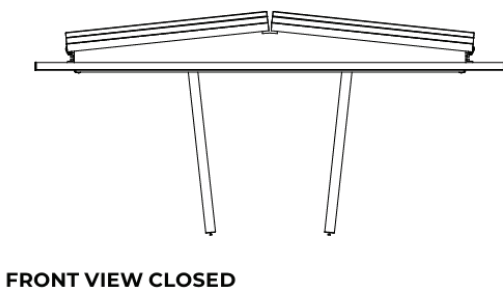
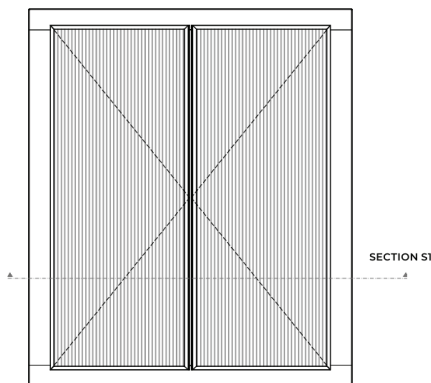


### Drive Support:



### Dimension Drawing For Delta Installation:

Width (mm)	Drive	X	Y	Z
1000 - 1700	P2F - 575	427	660	162
	M24V - 575	427	630	-
1701 - 2500	P2F - 800	598	890	162
	M24V - 800	598	830	-



Queensgate Works, Bilston Road, Wolverhampton, West Midlands, WV2 2NJ

01902 451 733    sales@steelwayaccessandsafety.co.uk    www.steelwayaccessandsafety.co.uk

Part of  
**NORTHERN INDUSTRIES** Group.