

# Revolution® 25 Series

## High-Volume, Low-Speed (HVLS) Fan

Direct drive technology adds comfort to any space, quietly.



### Performance

- » Improve productivity by providing evaporative cooling
- » Exclusive aluminum blades with standard mill finish. Incorporates tilt, taper, and twist to produce consistent airflow across the entire length of the blade, eliminating pockets of stagnant air under the center of the fan
- » Covers 17,500 sq. ft., moving air up to 75 ft. in all directions from the center of the fan

### Construction

- » Vibration-dampening material is incorporated to reduce stress to the hub by 50 to 75%
- » The blade and hub are balanced for smooth, efficient performance
- » Maximum weight is 180 lbs. Actual weight varies according to the fan size and mounting style
- » Backed by Rite-Hite's 50 year track record as an industrial manufacturer

NOTE: Fan assembly is pre-wired with a NEMA twist-lock plug and 5' cord

### Warranties

- » 3 year parts & 3 year labor warranty
- » 10 year structural integrity warranty
- » Lifetime warranty on workmanship of blades and hub
- » 12 month limited money-back guarantee
- » Listed to UL507 Standard

### Direct Drive Motor

- » Motor is nearly silent operating between 38 to 42 dBA, depending on fan speed. Ideal for environments with sound concerns
- » Direct drive design does not require oil
- » Simplified design reduces installation time and costs

### Safety

- » All fans feature a hub to motor connection with redundant safety cable, stabilizing cables, and mounting bracket
- » A unique, internal safety system is provided for back-up security for the motor to hub connection

### Wireless Controls

- » Customizable 7-day scheduling. Manage up to 24 fans from the wireless touch screen control station
- » Standard Ethernet connectivity allows remote access to fan controls from a PC or mobile device



Fan-Commander®

NOTE: Control box ships standard with connection locations to receive a low voltage stop signal from a fire panel to comply with NFPA 13

# Specifications/Survey

## Fan Dimensions and Mounting Guidelines

**REVOLUTION**  
25 SERIES

Date \_\_\_\_\_

Company Name \_\_\_\_\_

Address \_\_\_\_\_

City \_\_\_\_\_

State \_\_\_\_\_ Zip Code \_\_\_\_\_

Representative \_\_\_\_\_

Salesperson \_\_\_\_\_

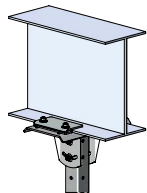
Quantity \_\_\_\_\_ Signature \_\_\_\_\_

### Fan Diameter:

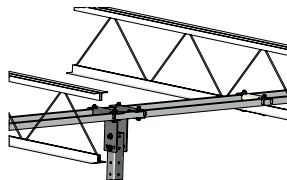
- 6' (1830 mm)  
 8' (2440 mm)  
 10' (3050 mm)  
 12' (3660 mm)

### Mounting Option:

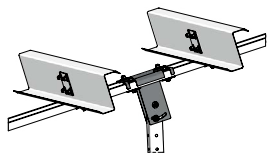
I-Beam Bracket



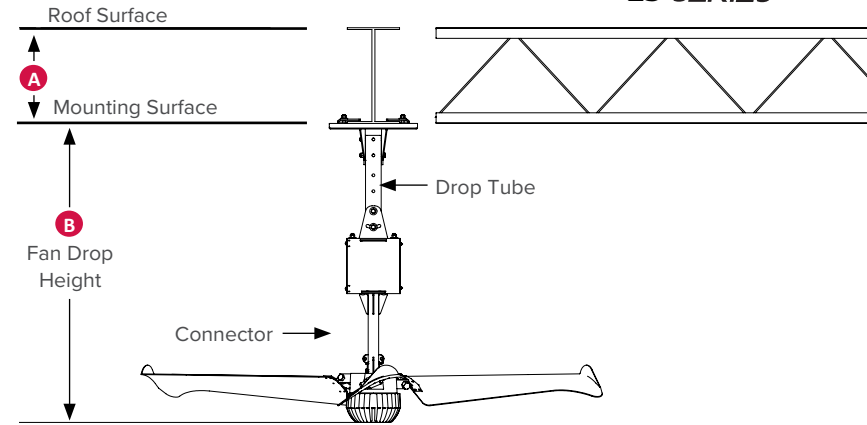
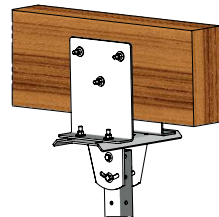
Truss Kit



Purlin Kit



Laminated Beam Kit



### B Fan Drop Height (See Chart):

- 36" (920 mm) (No Drop Tube – Short Connector)  
 43" (1100 mm) (No Drop Tube – Standard Connector)  
 56" (1430 mm)  
 68" (1730 mm)  
 86" (2190 mm)

Drop tubes may be cut on site to decrease Fan Drop Height. See the Owner's Manual for cut lengths and fan clearances.

### Voltage/Phase:

- 120V / 1 phase  
 200-240V / 1 phase  
 200-240V / 3 phase  
 277V / 1 phase

### EMC Compliance:

- No  
 Yes

### Shipment Destination:

- North America  
 International

### Custom Color: Blades and Hub:

- No. Standard Mill Finish  
 Yes.

RAL K5# \_\_\_\_\_ (20% gloss)

Note: Controls are not included. Please order Fan-Commander® separately.

A Roof Surface to Mounting Surface	B Fan Drop Height Minimum height required for air intake	
	10' Fan Diameter	12' Fan Diameter
0" - 6" (0 mm - 152 mm)	43"	56"
7" - 12" (178 mm - 305 mm)	36"	43"
13" - 18" (330 mm - 457 mm)	36"	36"

Minimum Fan Drop Height for all 6 ft and 8 ft fans is 36" (920 mm).  
 Minimum Fan Drop Height assumes a flat roof surface.  
 Fan Drop Height may need to be increased for roofs with a steeper pitch.

**RITEHITE**  
ALWAYS LOOKING AHEAD

Milwaukee, Wisconsin, USA

[www.ritehite.com](http://www.ritehite.com)

P 414-355-2600 (800-456-0600)

F 414-355-9248

Rite-Hite®, Fan-Commander®, and Revolution® are trademarks of Rite-Hite Holding Corporation. Rite-Hite products may be covered by one or more U.S. Patents with other U.S. and foreign patents pending. Patent coverage: [www.ritehite.com/patents](http://www.ritehite.com/patents). The information herein is provided as a general reference only regarding the use of the applicable products. The specifications stated here are subject to change. Manufactured by Rite-Hite Engineered Solutions Group, Inc.