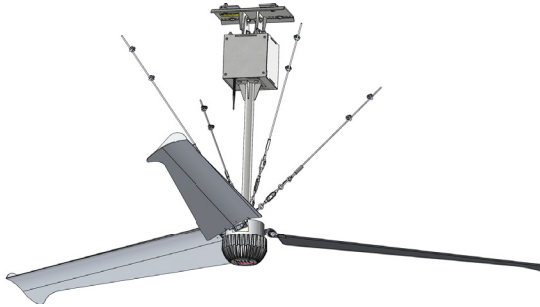
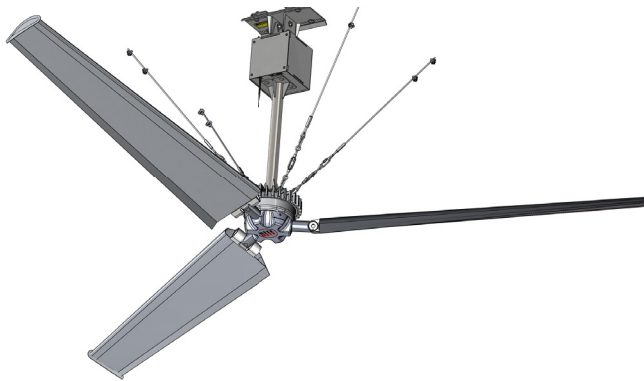


This manual covers units shipped August 2018 to date.

Model: **Revolution 25**



Model: **Revolution 75, 150**



Fan-Commander 2.0

Required to operate the fan(s) (ordered separately).

Use Fan-Commander 2.0 manual with this manual for complete installation and operation instructions.



NOTICE TO USER 2

SAFETY 3

INSTALLATION

Preparation 5

Specifications 7

Fan Clearance 8

Air Intake 11

Mounting – I-Beam (TYPICAL) 13

Mounting – Truss Kit 14

Mounting – Laminated Beam Kit 15

Mounting – Purlin Kit 16

Stabilization Cables 17

Fan Leveling 17

Blade Attachment 18

Motor Cover 19

MAINTENANCE

Planned Maintenance 20

PARTS

Mounts 21

Blades 21

Blade Bolt 21

Blade Set 21

WARRANTY 24

NOTICE TO USER

READ AND SAVE THESE INSTRUCTIONS.

Thank you for purchasing a Rite-Hite product.

The Revolution 25, 75, and 150 Series fans are high-volume/low-speed (HVLS) direct drive fans.

Read and understand manual prior to installation or operation of this equipment.

The English version of this manual shall prevail over any error in, or conflicting interpretation of, any translations.

Rite-Hite reserves the right to substitute and/or modify parts and drawings. If separate prints are included with the unit, they supersede those contained in the manual.

For best results, have this product serviced by an authorized Rite-Hite representative.

A Planned Maintenance Program (P.M.P.), customized to your specific operation is available and recommended. For a P.M.P., contact your local Rite-Hite representative or Rite-Hite technical support at (U.S.) 888-456-3625 or 1-414-973-3625, (S.A.) +55 21 99616 4421, (E.U.) +49-5693 98700.

The Rite-Hite® products in this manual are covered by one or more of the following U.S. patents: 7658232, 8622712, 8142156, D631536, 7726945 and may be covered by additional pending U.S. and foreign patent applications.

Manufactured by Rite-Hite Engineered Solutions Group, Inc.

FCC Compliance

NOTE: This equipment has been tested and found to comply with the limits for a Class A digital device, pursuant to Part 15 of the FCC Rules. These limits are designed to provide reasonable protection against harmful interference when the equipment is operated in a commercial environment. This equipment generates, uses, and can radiate radio frequency energy and, if not installed and used in accordance with the instruction manual, may cause harmful interference to radio communications. Operation of this equipment in a residential area is likely to cause harmful interference in which case the user will be required to correct the interference at his own expense.

NOTE: Changes or modifications not expressly approved by the party responsible for compliance could void the user's authority to operate the equipment.

Contains FCC ID: MCQ-XB900HP

Contains IC: 1846A-XB900HP

This device complies with Part 15 of the FCC Rules. Operation is subject to the following two conditions:

1. This device may not cause harmful interference.
2. This device must accept any interference received, including interference that may cause undesirable operation.

SAFETY

Safety Identifications

DANGER

Indicates a hazardous situation which, if not avoided, will result in death or serious injury.

Indique une situation dangereuse qui, si elle n'est pas évitée, peut entraîner la mort ou de graves blessures.

WARNING / AVERTISSEMENT

Indicates a hazardous situation which, if not avoided, could result in death or serious injury.

Indique une situation dangereuse qui, si elle n'est pas évitée, peut entraîner la mort ou des blessures graves.

CAUTION / ATTENTION

Indicates a hazardous situation which, if not avoided, could result in minor or moderate injury.

Indique une situation dangereuse qui, si elle n'est pas évitée, peut entraîner des blessures légères à modérées.

NOTICE

Indicates a situation which can cause damage to the equipment, personal property and/or the environment, or cause the equipment to operate improperly.

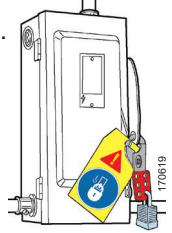
NOTE: A note is used to inform you of important installation, operation, or maintenance information.

Lockout Procedure

Barricade work area and post safety warnings.

Power supply/control must:

- Be disconnected or locked in OFF position using a lockout device approved by local codes.
 - Have signage that:
 - Clearly states repairs are being made.
 - Identifies person responsible for lockout condition.
- NOTE:** Only this person should be able to remove warnings and lockout device.
- Withstands environmental conditions (weather, wet, and damp, etc.) and remains readable.



SAFETY

General

DANGER

Installation to be completed in accordance with the National Electric Code, ANSI/NFPA 70-1999, and local codes.

L'installation doit être effectuée conformément au Code national de l'électricité, à la norme ANSI/NFPA 70-1999, et aux codes locaux.

DANGER

A qualified electrician should install the wiring in accordance with local electrical codes.

Use lockout procedures to prevent death or severe personal injury.

L'installation du câblage doit être effectuée par un électricien qualifié, conformément aux normes électriques nationales et locales.

Afin de réduire le risque de blessures graves ou mortelles, utilisez des procédures de verrouillage.

WARNING / AVERTISSEMENT

Only install Rite-Hite fans when the mounting framework of the building is constructed soundly (without defects) and capable of supporting the loads of the fan and its installation requirements.

Verification of the building's strength and stability is the sole responsibility of the customer and/or end user. Consult a structural engineer prior to fan installation.

N'installez les ventilateurs Rite-Hite que lorsque le cadre de montage du bâtiment est bien construit (sans défauts) et capable de supporter les charges du ventilateur et ses exigences d'installation.

La vérification de la solidité et de la stabilité du bâtiment est de la seule responsabilité du client et/ou de l'utilisateur final. Consulter un ingénieur en structure avant l'installation du ventilateur.

WARNING / AVERTISSEMENT

Rotating fan blades can cause serious injury.

Les lames rotatif du ventilateur peut causer des blessures graves.

CAUTION / ATTENTION

Barricade the work area during installation or maintenance.

Barricader la zone de travail pendant l'installation ou l'entretien.

NOTICE

Only use materials and hardware supplied with the fan. Rite-Hite expressly disclaims any liability arising from the use of any materials or hardware other than those supplied or recommended by Rite-Hite. Contact your Rite-Hite Representative to verify hardware specifications as required.

INSTALLATION

Preparation

! WARNING / AVERTISSEMENT

Mount directly to a structural framing member to reduce risk of fire, electric shock or injury.

Monter directement sur un membre de charpente pour réduire les risques d'incendie, d'électrocution ou de blessure.

NOTICE

When more than one fan diameter or voltage is ordered, the specification label must be used to match the correct fan blades and power cords to their respective installed locations.

NOTICE

For optimal/unrestricted air movement follow these guidelines:

If the ceiling support structure is a:

- Open-web design, take all hanging dimensions from the underside of the ceiling.
- Solid beam or solid channel, take all measurements from the bottom of the beam for the hanger dimension.

If the roof is pitched, consult your Rite-Hite Service Representative.

Fans ship with the motor, down tube, and enclosure fully assembled and wired with a plug. Each assembly also includes an internally installed safety cable.

The enclosure includes brackets required to mount to a beam (steel or laminated), an open-web steel joist, or a purlin.

Remove the zip tie holding the antenna to the down tube.

Required Tools

Revolution 25, 75, 150	
2	3/4in wrenches (1 can be socket/driver)
1	Vice grip
1	Phillips screwdriver
1	Bubble level
1	1/4in cable cutter
≥1	Cleaning towel(s)
Revolution 25 Only	
1	Torque wrench, minimum 74ft-lb [102Nm]
1	1-1/4in socket
1	1-1/16in wrench
1	3/16in Allen wrench
Revolution 75,150 Only	
1	Torque wrench, minimum 200ft-lb [270Nm] 1/2in drive
1	1/2in wrench or socket/driver
1	1/2in to 3/4in socket adapter
1	1/2in socket extender
1	9/16in wrench or socket/driver

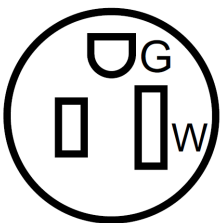

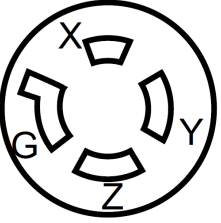
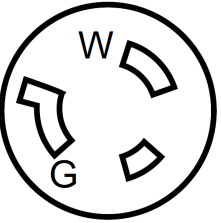
INSTALLATION

Preparation *Continued*

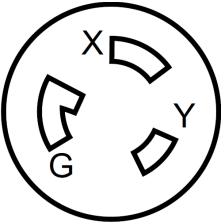
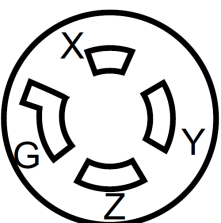
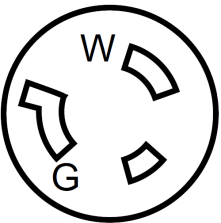

Each fan assembly includes a NEMA plug on a 5ft cord. Before installing, ensure that a mating receptacle is available in the ceiling near the installation location.

The type of receptacle required is dependent on the ordered voltage:

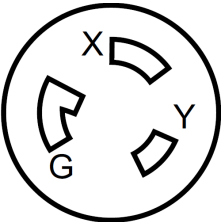
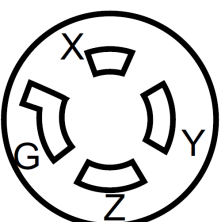
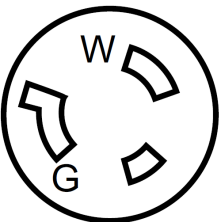
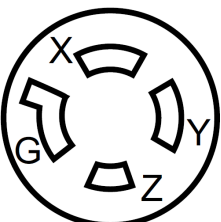
Revolution 25 Series

Supply Voltage	100-120V 1Φ	200-240V 1Φ	200-240V 3Φ	277V 1Φ
	NEMA 5-15	NEMA 6-20	NEMA 15-20	NEMA 7-20
Plug Type				
Fan F.L.A.	8.7	6.6	3.2	4.8
Maximum number of fans recommended per branch circuit:				
20A Circuit	1	2	5	3

Revolution 75 Series

Supply Voltage	200-240V 1Φ	200-240V 3Φ	277V 1Φ	400-480V 3Φ
	NEMA 6-30	NEMA 15-20	NEMA 7-20	NEMA 16-20
Plug Type				
Fan F.L.A.	15.4	7.6	11.1	3.6
Maximum number of fans recommended per branch circuit:				
20A Circuit	n/a	2	1	4
30A Circuit	1	3	2	6

Revolution 150 Series

Supply Voltage	200-240V 1Φ	200-240V 3Φ	277V 1Φ	400-480V 3Φ
	NEMA 6-30	NEMA 15-20	NEMA 7-20	NEMA 16-20
Plug Type				
Fan F.L.A.	19.9	9.7	14.3	4.5
Maximum number of fans recommended per branch circuit:				
20A Circuit	n/a	1	1	3
30A Circuit	1	2	1	5

INSTALLATION

Specifications

Diameter (Φ)	6ft, 8ft, 10ft, 12ft, 16ft, 20ft, and 24ft [1830mm, 2440mm, 3660mm, 4880mm, 6100mm and 7320mm]
Height	3ft to 8ft in 6in increments [915mm to 2340mm in 150mm increments]
Blades	Aluminum
Blade and Cover Finish	Mill-finish standard or RAL K5 Custom Colors
# of Blades	3
Coverage	Up to 22,000sq ft [2046m ²] 85ft [26m] from the fan's center in all directions
Air Speed	Variable Speed
Controls	Fan-Commander 2.0 (Wireless)
Mounting Heights	15ft to 80ft [5m to 24m] Finished floor to bottom of blade

Weight*

Fan Φ	Revolution 25	Revolution 75	Revolution 150
6ft [1830mm]	119lb [54kg] – 139lb [63kg]	–	–
8ft [2440mm]	125lb [56kg] – 144lb [65kg]	203lb [92kg] – 221lb [100kg]	–
10ft [3050mm]	130lb [59kg] – 150lb [68kg]	–	–
12ft [3660mm]	134lb [61kg] – 154lb [70kg]	214lb [97kg] – 232lb [105kg]	–
16ft [4880mm]	–	217lb [98kg] – 235lb [106kg]	253lb [115kg] – 271lb [123kg]
20ft [6100mm]	–	219lb [99kg] – 237lb [108kg]	256lb [116kg] – 274lb [124kg]
24ft [7320mm]	–	222lb [101kg] – 240lb [109kg]	259lb [117kg] – 277lb [126kg]

*Weight is for Beam Mount only. Add 23lbs [10kg] for Truss Mount.

RPM

Fan Φ	Revolution 25		Revolution 75		Revolution 150	
	Min	Max	Min	Max	Min	Max
6ft [1830mm]	33	165	36	180	–	–
8ft [2440mm]	33	165	36	180	–	–
10ft [3050mm]	21	105	–	–	–	–
12ft [3660mm]	15	75	20	102	–	–
16ft [4880mm]	–	–	14	68	19	93
20ft [6100mm]	–	–	10	51	14	72
24ft [7320mm]	–	–	7	36	11	53

Maximum Input Current (A)

Revolution Series	Model	120V	200-240V	200-240V	277V	400-480V
		1Φ	1Φ	3Φ	1Φ	3Φ
25	210-25	8.7	6.6	3.2	4.8	N/A
75	270-75	N/A	15.4	7.6	11.1	3.6
150	270-150	N/A	19.9	9.7	14.3	4.5

All models rated 50/60Hz supply +/- 5%

All models supply voltage ratings +/- 10%

INSTALLATION

Fan Clearance

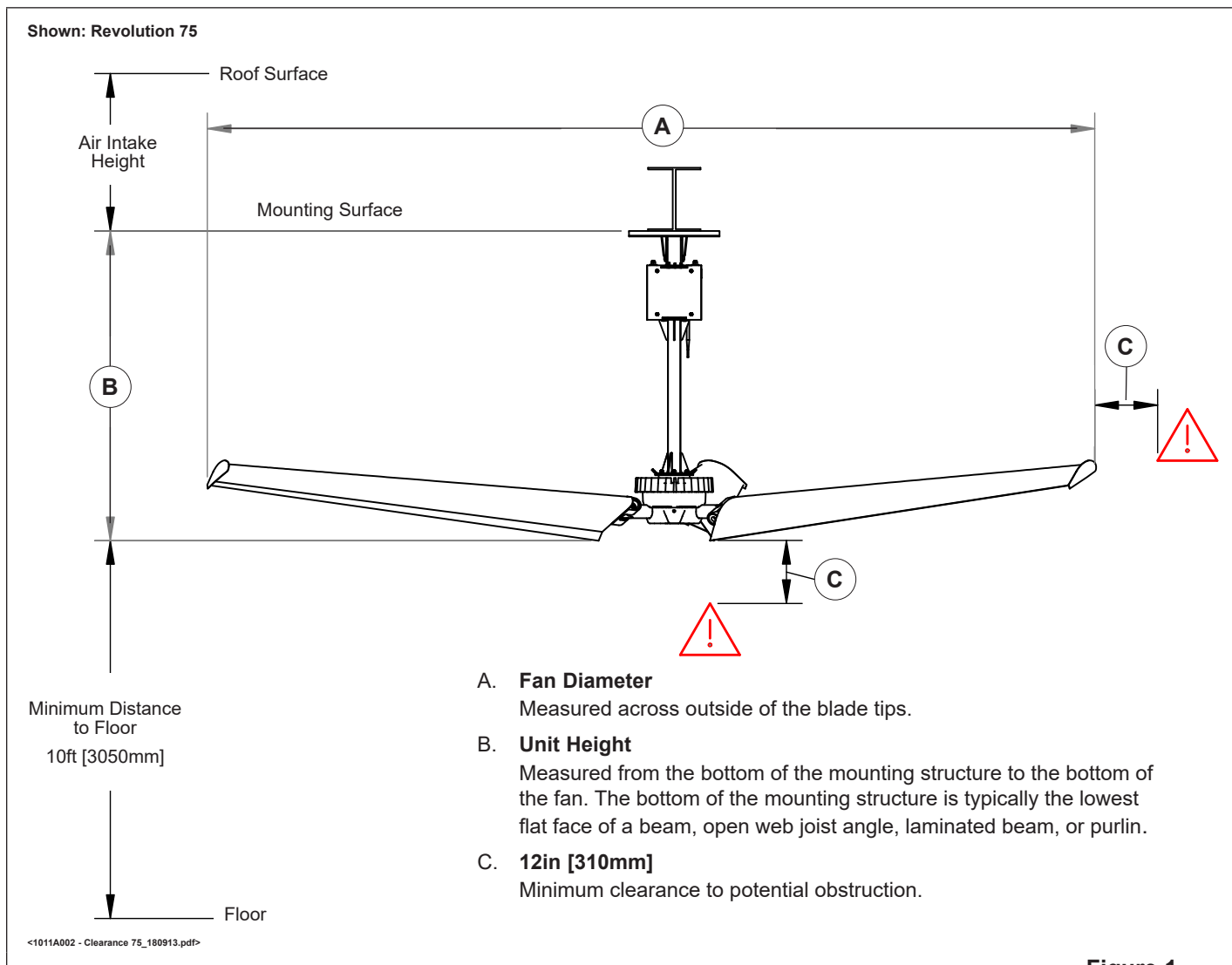


Figure 1

NOTICE

Fan blades require safe clearance to operate.

The blades move upward during operation. Depending on fan diameter and fan height, additional clearance may be required.

All fans require at least 12in [310mm] of clearance:

- Outside of the fan diameter and
- Below the fan drop height.

All fans must be mounted 10ft [3050mm] from the floor.

Mount the fan according to [\(Fan Clearance, page 8\)](#).

Identify any potential obstructions the fan blades could impact.

Measure the distance from the mounting surface to the bottom of the lowest potential obstruction. This distance must be less than the maximum distance for your fan diameter and fan drop height.

INSTALLATION

Fan Clearance *Continued*

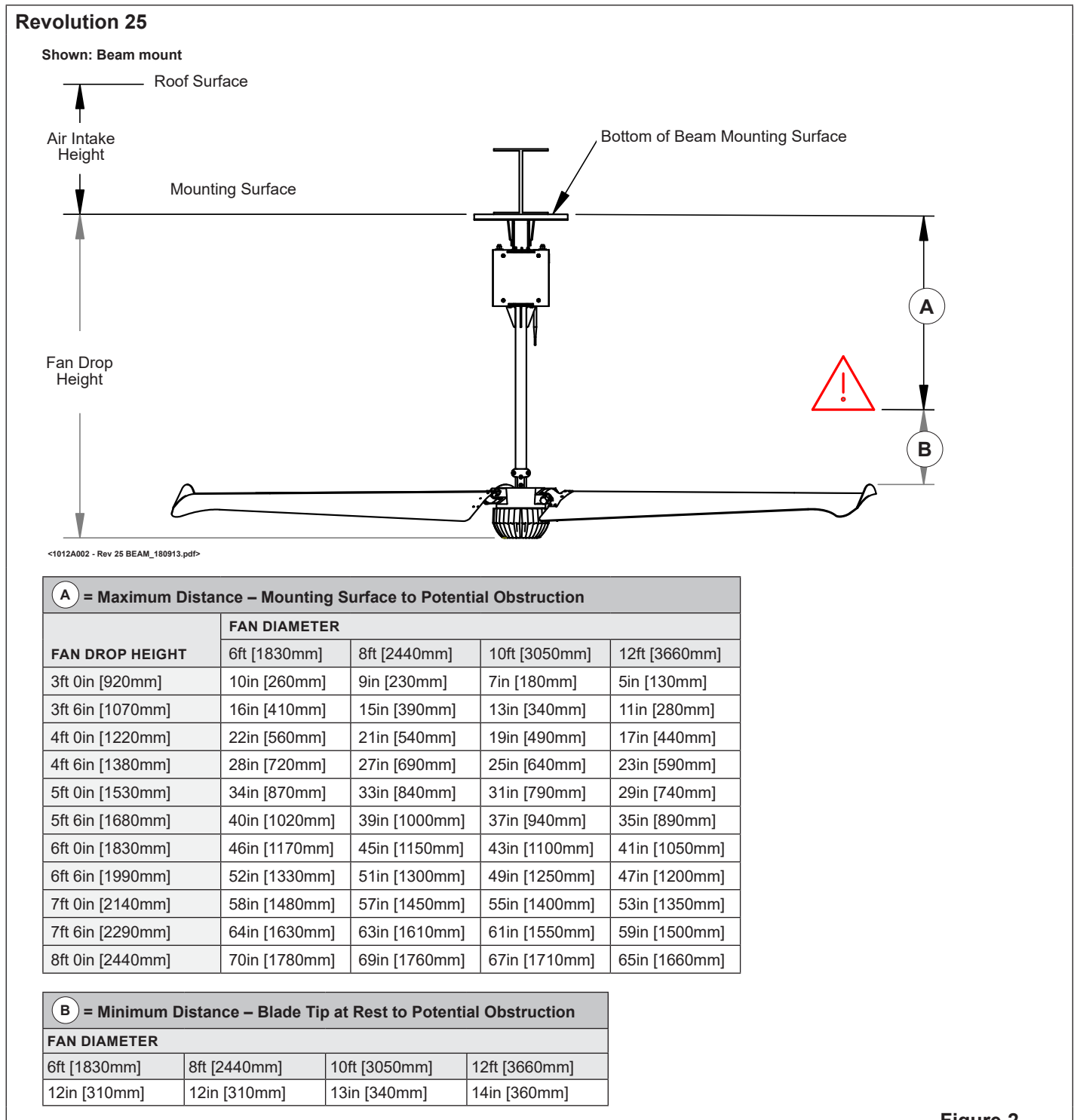


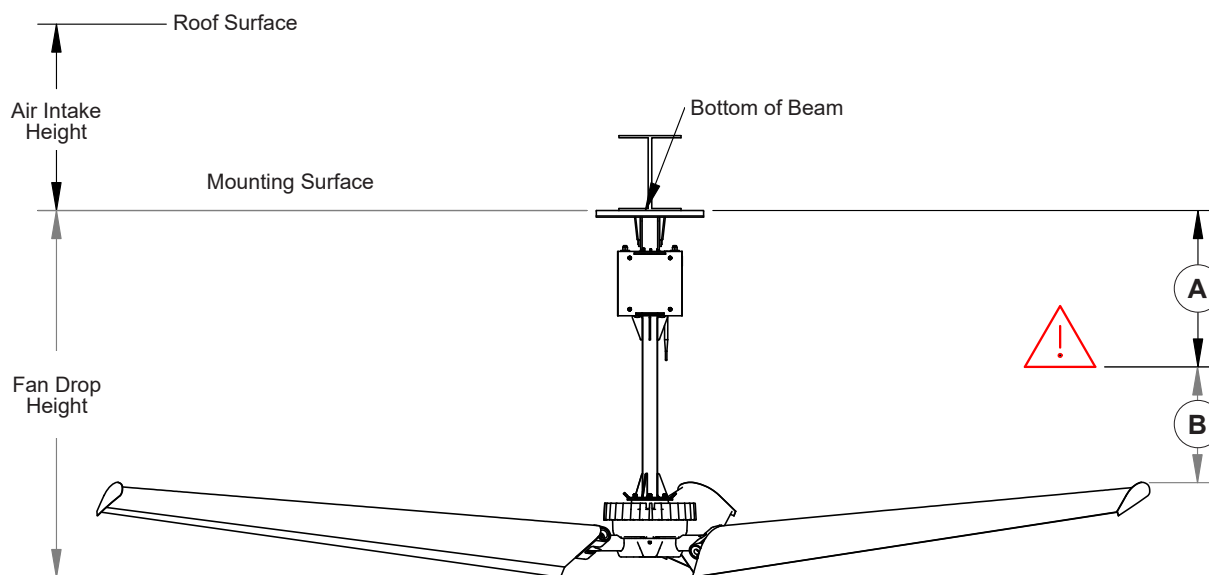
Figure 2

INSTALLATION

Fan Clearance *Continued*

Revolution 75, 150

Shown: Beam Mount



<1011A002 - Rev 75 Beam_180913.pdf>

A = Maximum Distance – Mounting Surface to Potential Obstruction					
FAN DROP HEIGHT	FAN DIAMETER				
	8ft [2440mm]	12ft [3660mm]	16ft [4880mm]	20ft [6100mm]	24ft [7320mm]
3ft 6in [1070mm]	19in [490mm]	18in [460mm]	15in [390mm]	13in [340mm]	10in [260mm]
4ft 0in [1220mm]	25in [640mm]	24in [610mm]	21in [540mm]	19in [490mm]	16in [410mm]
4ft 6in [1380mm]	31in [790mm]	30in [770mm]	27in [690mm]	25in [640mm]	22in [560mm]
5ft 0in [1530mm]	37in [940mm]	36in [920mm]	33in [840mm]	31in [790mm]	28in [720mm]
5ft 6in [1680mm]	43in [1100mm]	42in [1070mm]	39in [1000mm]	37in [940mm]	34in [870mm]
6ft 0in [1830mm]	49in [1250mm]	48in [1220mm]	45in [1150mm]	43in [1100mm]	40in [1020mm]
6ft 6in [1990mm]	55in [1400mm]	54in [1380mm]	51in [1300mm]	49in [1250mm]	46in [1170mm]
7ft 0in [2140mm]	61in [1550mm]	60in [1530mm]	57in [1450mm]	55in [1400mm]	52in [1330mm]
7ft 6in [2290mm]	67in [1710mm]	66in [1680mm]	63in [1610mm]	61in [1550mm]	58in [1480mm]
8ft 0in [2440mm]	73in [1860mm]	72in [1830mm]	69in [1760mm]	67in [1710mm]	64in [1630mm]
8ft 6in [2600mm]	79in [2010mm]	78in [1990mm]	75in [1910mm]	73in [1860mm]	70in [1780mm]

B = Minimum Distance – Blade Tip at Rest to Potential Obstruction				
FAN DIAMETER				
8ft [2440mm]	12ft [3660mm]	16ft [4880mm]	20ft [6100mm]	24ft [7320mm]
12in [310mm]	12in [310mm]	14in [360mm]	15in [390mm]	16in [410mm]

Figure 3

INSTALLATION

Air Intake

NOTICE

Fans require open space above the blades for air intake.

Make sure your fan diameter and fan height provide enough air intake height for maximum fan performance.

For an open-web ceiling support structure, the distance between the lower mounting surface and the upper solid roof surface is typically sufficient.

For an I-Beam ceiling support structure, an increased fan drop height may be required to meet the minimum air intake dimension.

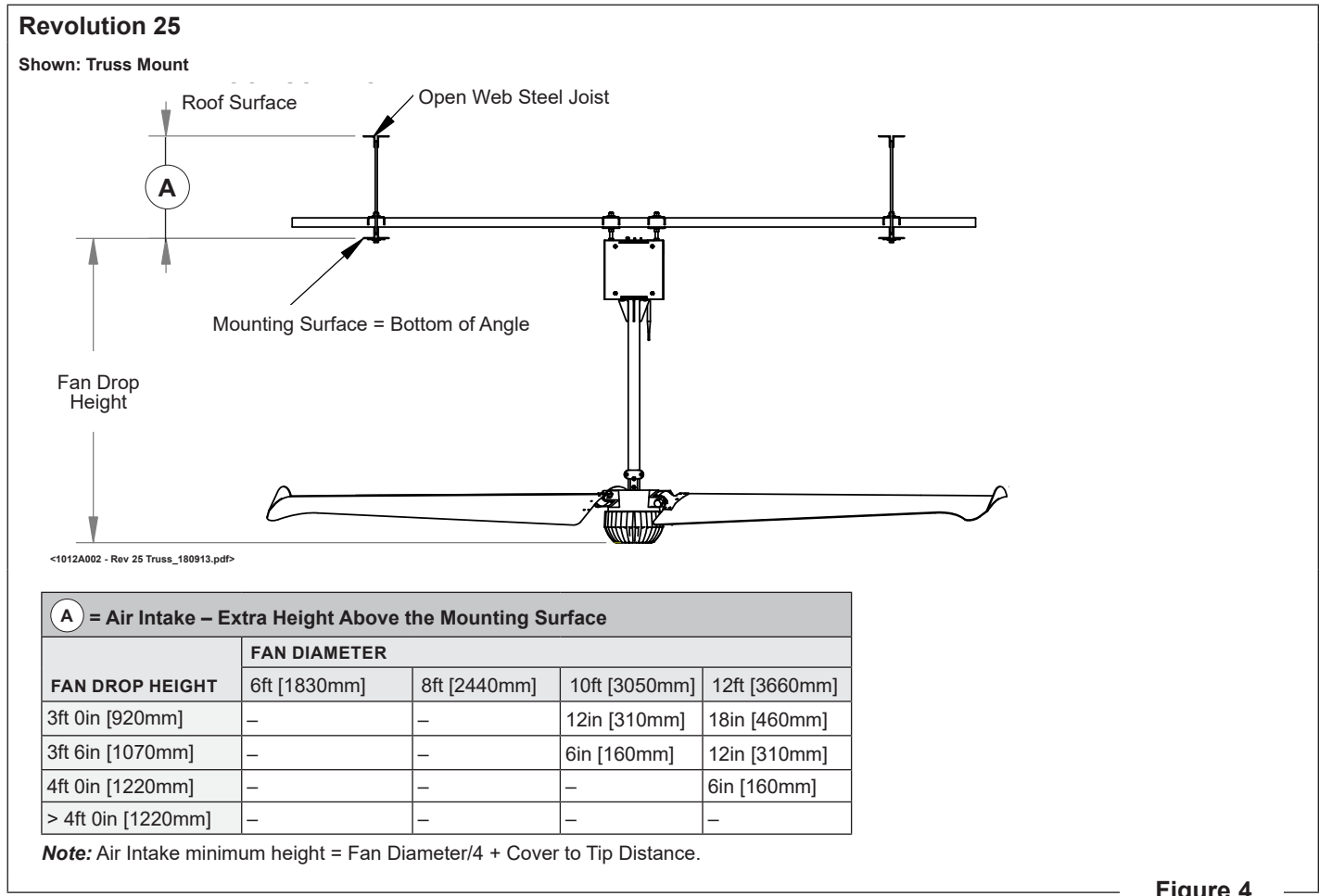


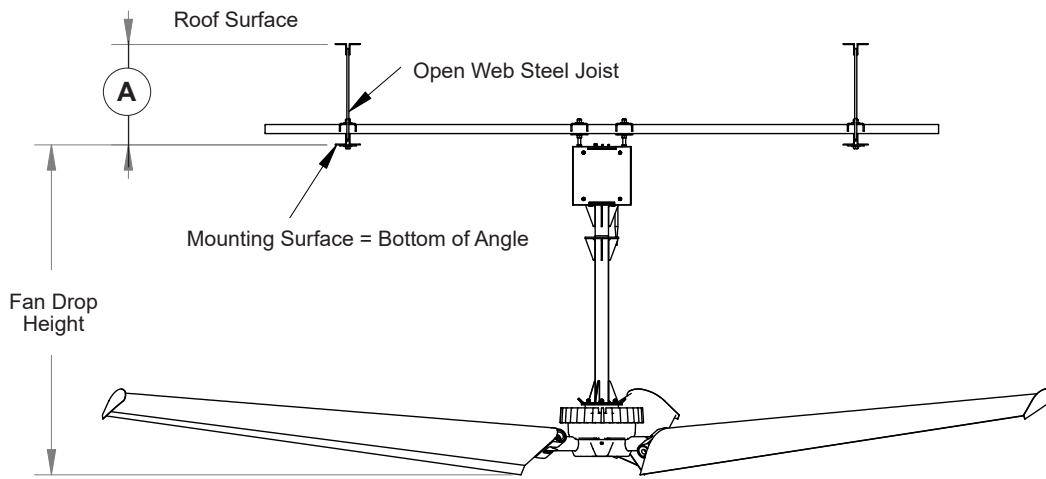
Figure 4

INSTALLATION

Air Intake *Continued*

Revolution 75, 150

Shown: Truss Mount



<1011A002 - Rev 75 Truss_180913.pdf>

A = Air Intake – Extra Height Above the Mounting Surface					
FAN DROP HEIGHT	FAN DIAMETER				
	8ft [2440mm]	12ft [3660mm]	16ft [4880mm]	20ft [6100mm]	24ft [7320mm]
3ft 6in [1070mm]	–	6in [160mm]	20in [510mm]	33in [840mm]	47in [1200mm]
4ft 0in [1220mm]	–	–	14in [360mm]	27in [690mm]	41in [1050mm]
4ft 6in [1380mm]	–	–	8in [210mm]	21in [540mm]	35in [890mm]
5ft 0in [1530mm]	–	–	2in [60mm]	15in [390mm]	29in [740mm]
5ft 6in [1680mm]	–	–	–	9in [230mm]	23in [590mm]
6ft 0in [1830mm]	–	–	–	3in [80mm]	17in [440mm]
6ft 6in [1990mm]	–	–	–	–	11in [280mm]
7ft 0in [2140mm]	–	–	–	–	5in [130mm]
>7ft 0in [2140mm]	–	–	–	–	–

Figure 5

INSTALLATION

Mounting – I-Beam (TYPICAL)

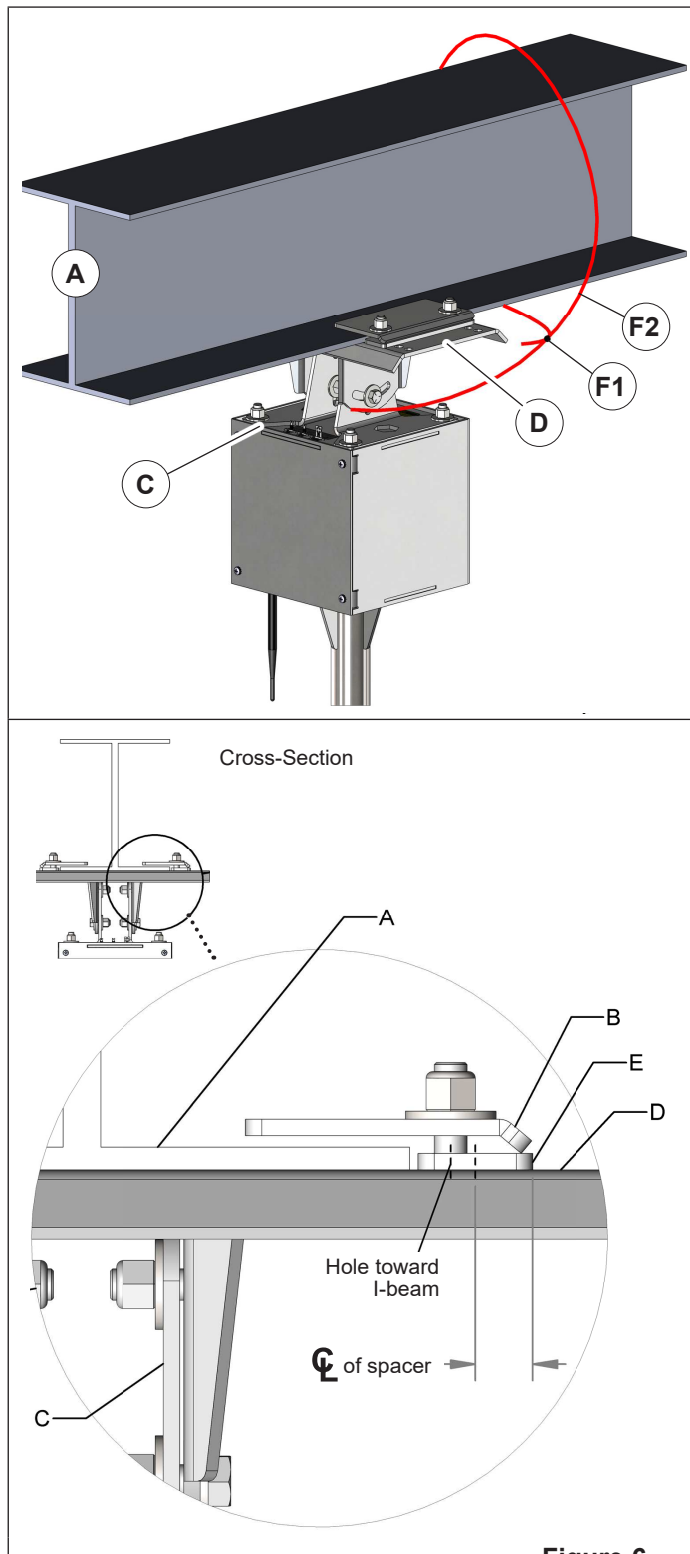


Figure 6

1. Mount fan directly to building support I-beam (A) (6in to 13.5in [150mm to 350mm] wide) with provided brackets and hardware.

NOTE: If the fan is being mounted to an I-beam that is larger than the bracket, clamp the bracket to 1 edge of the I-beam and drill holes through the I-beam to bolt the other side securely with provided hardware.
2. Hang the I-beam bracket (D) under the I-beam using provided hardware and existing holes to attach clamp plates (B) and the spacers (E). Keep spacer holes toward the edge of I-beam (Figure 6).
3. Attach the enclosure brackets (C) to the I-beam bracket (D) using (4) 1/2in x 1.5in bolts, washers and nylon lock nuts.

NOTE: The I-beam bracket and slotted enclosure bracket accommodate both angled and skewed I-beams.
4. Use a bubble level to plumb the assembly.
5. After enclosure is in place, install safety cable:
 - Slide the safety cable clamp (F1) onto the safety cable (F2).
 - Route the safety cable around the I-Beam and secure with the safety cable clamp.
 - Wrap extra cable and secure with a tie band or cut to length as desired.

INSTALLATION

Mounting – Truss Kit

⚠ WARNING / AVERTISSEMENT

Always mount the fan to 2 joists. 1 joist will not provide the rigidity and support necessary for the fan during operation, and may cause the fan to fall and cause injury.

Toujours monter le ventilateur sur deux solives. Une seule solive n'apportera pas la rigidité et le soutien nécessaire au ventilateur en marche; cela pourrait entraîner la chute du ventilateur et causer des blessures.

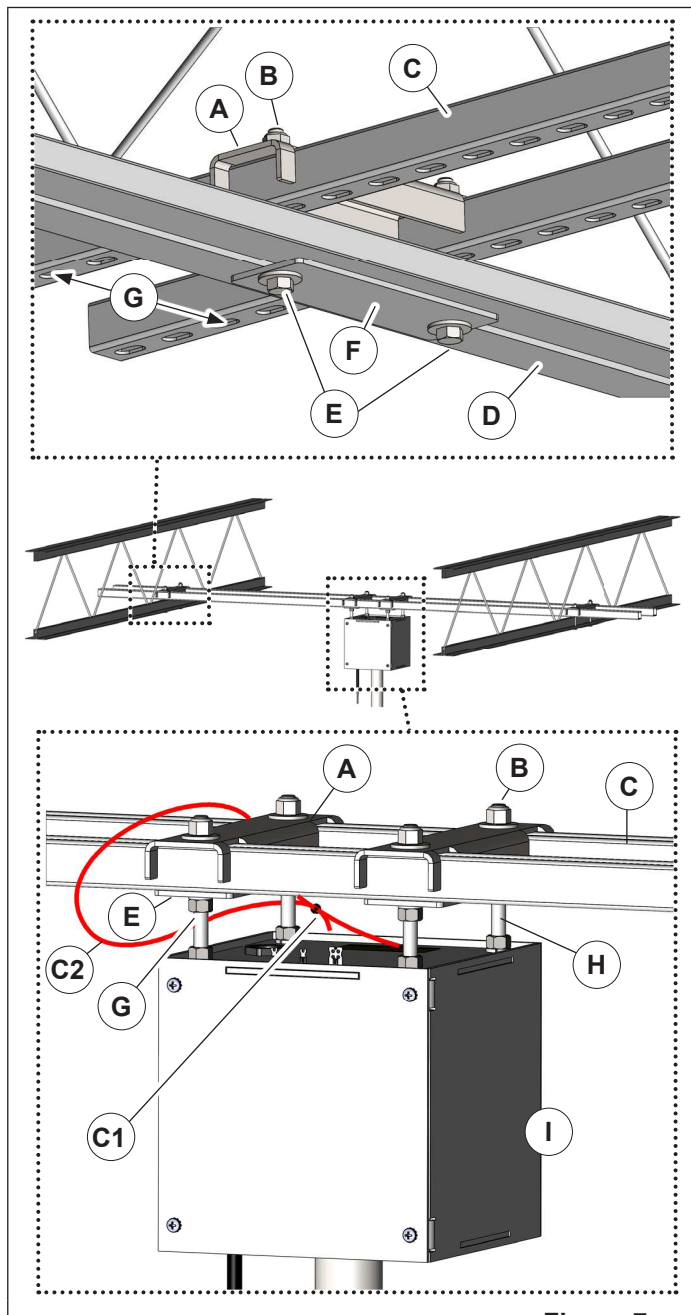


Figure 7

1. Lay (2) 120in [3050mm] long struts on the lowest angle of an open-web roof structure.
2. The open side of the strut (C) is up and the 2in [51mm] slotted holes are down. The strut brackets (A) will automatically space the struts 8in [203mm] on center (G).
3. Insert the bolts (E) up through the spacer plate (F), joist angles (D), strut, and strut bracket.
4. Secure with a washer and nylon lock nut on the top (B). Repeat on the opposite end of the strut.
5. Remove the nuts, washers and strut bracket (A) from the enclosure (I). The spacer plate (E), lock washer and nut (G) should remain.

NOTE: Installing the fan near an open-web joist provides increased stability compared to centering the fan between 2 joists.

6. Slide the enclosure bolts (H) through the strut (C) in the desired location.
7. Install the strut brackets (A) using washers and nylon lock nuts (B).
8. Plumb the unit by adjusting the lower nuts and upper nylon lock nuts. Use a bubble level in both directions.
9. After enclosure is in place, install safety cable:
 - Slide the safety cable clamp (C1) onto the safety cable (C2).
 - Route the safety cable around the strut and secure with the safety cable clamp.
 - Wrap extra cable and secure with a tie band or cut to length as desired.

INSTALLATION

Mounting – Laminated Beam Kit

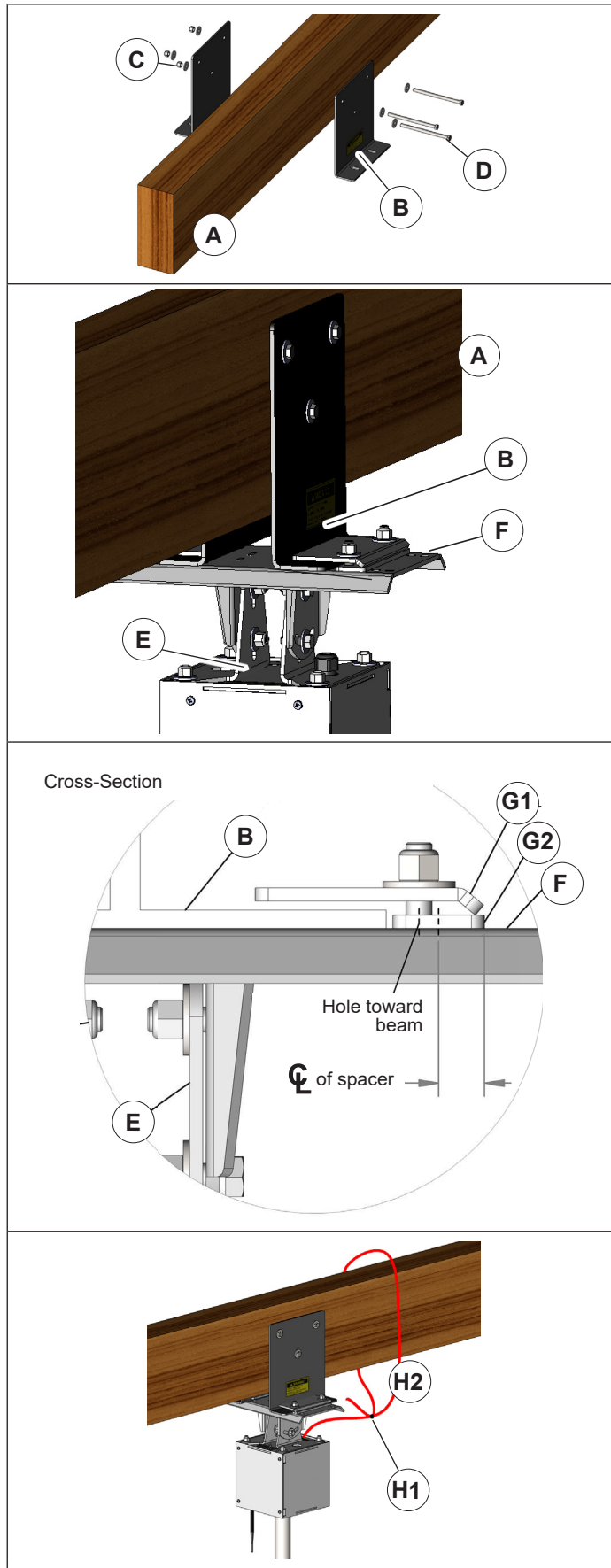


Figure 8

1. Clamp the angle brackets (B) to the laminated or concrete beam (A). Keep the short leg of the angle brackets flush to or slightly below the bottom of the beam.
2. Make sure the angle bracket is plumb.
3. Use the brackets as template to drill holes through the beam.
4. Install bolts (D) through both brackets and the beam. Secure with washers and nylon lock nuts (C).
5. For beams less than 7in [178mm] wide, clamp the beam bracket (F). Hang the beam bracket under the beam using provided hardware and existing holes to attach clamp plates (G1) and the spacers (G2). Keep spacer holes toward the edge of angle bracket.
For beams greater than 7in [178mm] wide, bolt the beam bracket directly to the angle brackets.
6. Attach the enclosure brackets (E) to the beam bracket (F) using (4) 1/2in x 1.5in bolts, washers, and nylon lock nuts.

NOTE: The beam bracket and slotted attachment plates accommodate both angled and skewed beams.

7. Use a bubble level to plumb the assembly.
8. After enclosure is in place, install safety cable:
 - Slide the safety cable clamp (H1) onto the safety cable (H2).
 - Route the safety cable around the beam and secure with the safety cable clamp.
 - Wrap extra cable and secure with a tie band or cut to length as desired.

INSTALLATION

Mounting – Purlin Kit

PURLIN SPAN	PURLIN HEIGHT		
	8in [210mm]	9in [230mm]	10in [260mm]
< 20ft [6096mm]	Use Kit	Use Kit	Use Kit
< 25ft [7620mm]	N/A	Use Kit	Use Kit
< 30ft [9144mm]	N/A	N/A	Use Kit

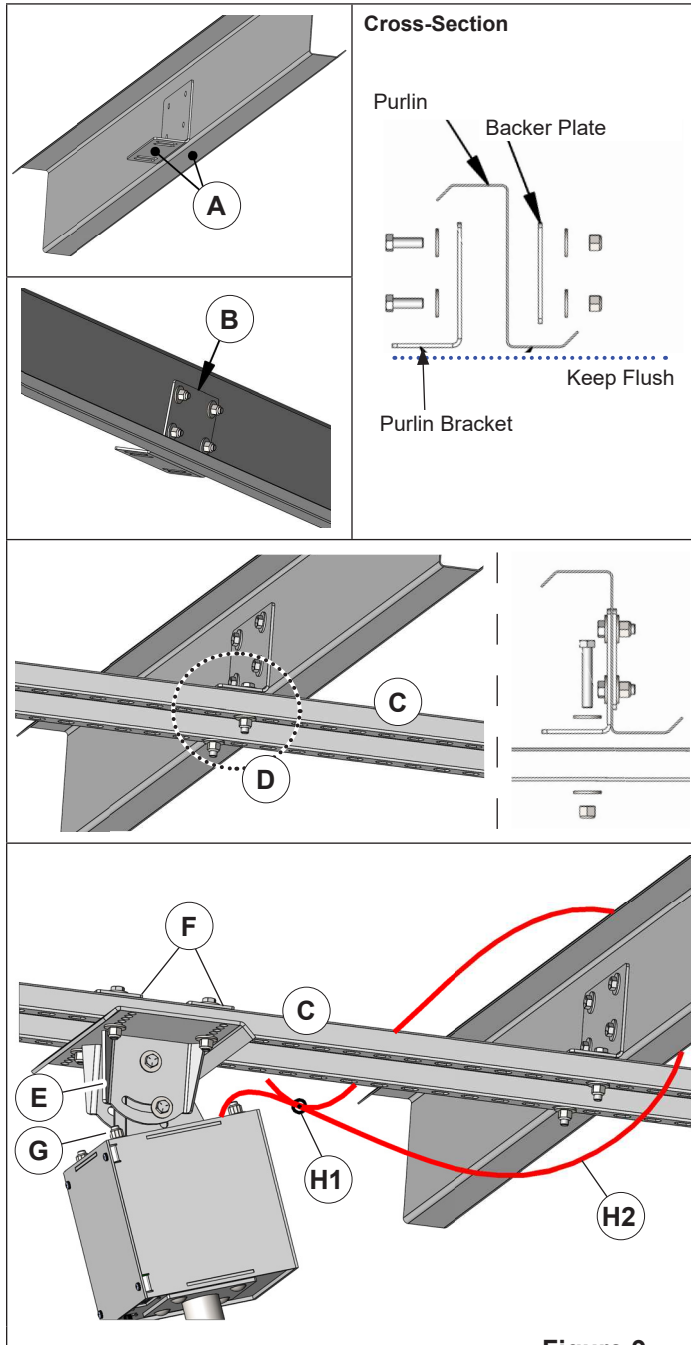


Figure 9

Purlin Requirements:

- Length: < 30ft [9144mm]
 - < 5ft [1524mm] spacing
 - Minimum of 14 gauge steel
1. Clamp the slotted purlin bracket to the purlin. Keep bottom of the bracket flush (A) with the bottom of the purlin.
 2. Use the bracket as a template to drill (4) 9/16in (14.3mm) holes through the purlin.
 3. Secure the bracket and backer plate (B) using (4) 1/2in x 1-1/2in bolts, (8) 1/2in washers and 4 nylon locking nuts.
 4. Repeat the bracket installation on the adjacent purlin. Make sure the brackets are in line with each other to avoid a diagonal strut installation.
 5. Secure the strut (C) to the bottom of each of the 2 purlin brackets (D) with (4) 1/2in x 3in bolts with (8) 1/2in washers and (4) nylon lock nuts.

NOTE: The strut should be 8in [203mm] on center with the open side of the strut up.
 6. Install the purlin bracket (E) and backer plates (F) to the strut (C) using (4) 1/2in x 3in bolts with (8) 1/2in washers and 4 nylon lock nuts.

NOTE: The purlin bracket and slotted attachment plates accommodate both angled and skewed beams.
 7. Attach the enclosure brackets (G) to the purlin bracket using (4) 1/2in x 1.5in bolts, washers, and nylon lock nuts.
 8. Use a bubble level to plumb the assembly.
 9. After enclosure is in place, install safety cable:
 - Slide the safety cable clamp (H1) onto the safety cable (H2).
 - Route the safety cable around the purlin and secure with the safety cable clamp.
 - Wrap extra cable and secure with a tie band or cut to length as desired.

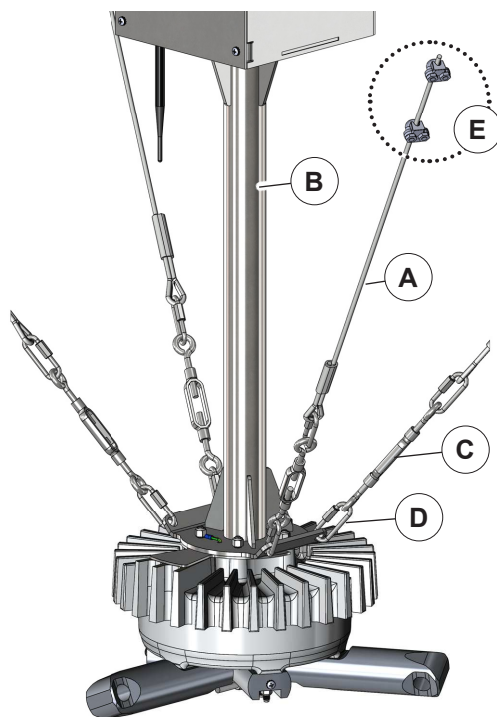
INSTALLATION

Stabilization Cables

! WARNING / AVERTISSEMENT

Always use stabilization cables. They protect the fan from tilting and allowing the blades to impact a ceiling joist or object.

Toujours utiliser des câbles de sécurité. Ils protègent contre la chute d'un ventilateur dans le cas d'un relâchement de l'assemblage boulonné.



- A. Stabilization Cables
- B. Down Tube
- C. Turnbuckle
- D. Quick Links
- E. Cable Clamps

Figure 10

Stabilization cables anchor the fan for situations like crosswinds or impacts that could tilt the fan, causing the blades to impact a ceiling joist or other object. Use these cables to attach the fan bracket to the ceiling in 4 locations.

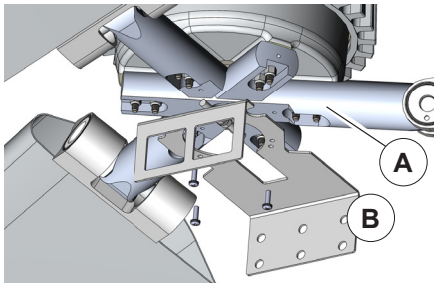
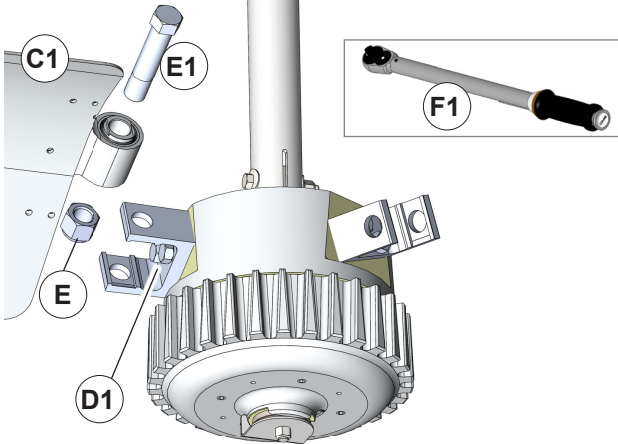
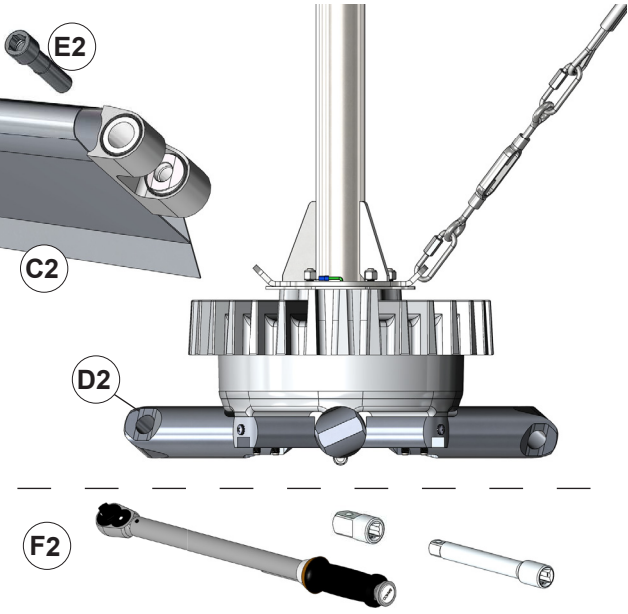
1. For greatest support, attach the stabilization cables to the ceiling at 90° to each other and as far away as possible from the point where the fan is mounted.
2. Ensure that stabilization cables are attached in a position that does not allow the blades to hit the stabilization cables when the fan is operating.
3. Attach the stabilization cables (A) to the down tube (B) using quick links (D).
4. Wrap extra cable and secure with a tie band or cut to length as desired.
5. Secure the stabilization cables to the ceiling with 2 cable clamps (E) and tighten with a turnbuckle (C).
6. Install stabilization cable clamp nuts away from the turn back.

Fan Leveling

1. Use the turnbuckles to level the bottom of the motor in both directions.
2. Tighten the turnbuckle 1 turn past hand-tight.
3. Hold a bubble level across the center of the hub in all directions.
4. Make fine adjustments with the stabilization cables.

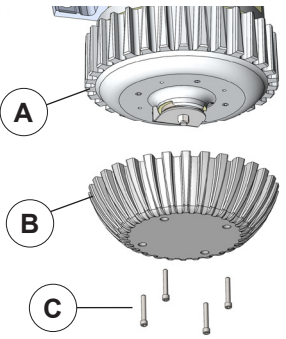
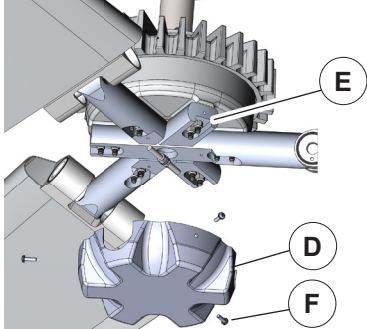
INSTALLATION

Blade Attachment

Revolution 25,75,150		<ol style="list-style-type: none"> 1. Remove bolts and shipping bracket (B) from fan hub (A). 2. Use a step ladder or lift to attach each fan blade to the fan hub.
Revolution 25		<ol style="list-style-type: none"> 3. Slide/raise the fan blade (C1) into the slot of the clevis (D1) on the fan hub. 4. Attach by inserting 22mm (E1) bolt through clevis holes and fan blade. Secure with nut (E). 5. Use a torque wrench (F1) with a 1-1/4in socket to tighten each nut to 75ft-lb [102Nm]. 6. Repeat for each blade.
Revolution 75,150	 <p>NOTE: Not all stabilization items are shown.</p>	<ol style="list-style-type: none"> 3. Slide/raise the fan blade (C2) over the fan arm (D2). Fan arm fits in the slot of the fan blade. 4. Attach with the 1in bolt (E2). 5. Use a torque wrench with a 3/4in drive extension to tighten the bolt to 200ft-lb [271Nm] (F2). 6. Repeat for each blade.
Revolution 25,75,150	<ol style="list-style-type: none"> 7. Remove the protective plastic film from each blade. Use a damp towel/rag with a mild soap to remove fingerprints and dirt after the blades are installed. 8. Measure the distance from the blade tips to any potential obstruction (Fan Clearance, page 8). If the measured distance is less than the distance listed for your fan diameter, contact your Rite-Hite Representative. 	

INSTALLATION

Motor Cover

<p style="writing-mode: vertical-rl; transform: rotate(180deg);">Revolution 25</p>		<ol style="list-style-type: none"> 1. Align the motor cover ribs (B) with motor fins (A): <ul style="list-style-type: none"> • Locate the 1/4in [6.35mm] recessed circle inside the cover. • Position the circle toward the socket head cap screw securing the cable bracket to the motor. 2. Use a 3/16in allen wrench to secure the cover the motor using (4) 1/4in x 1-1/2in socket head cap screws (C).
<p style="writing-mode: vertical-rl; transform: rotate(180deg);">Revolution 75,150</p>		<ol style="list-style-type: none"> 1. Slide the motor cover (D) over the fan arms (E). 2. Secure cover with (3) 1/4in x 5/8in bolts (F) with exterior star lock washers.

Re-level the fan after blade and cover attachment.

[\(Fan Leveling, page 17\).](#)

MAINTENANCE



WARNING / AVERTISSEMENT

Follow lockout procedures before cleaning or re-torquing the fan.

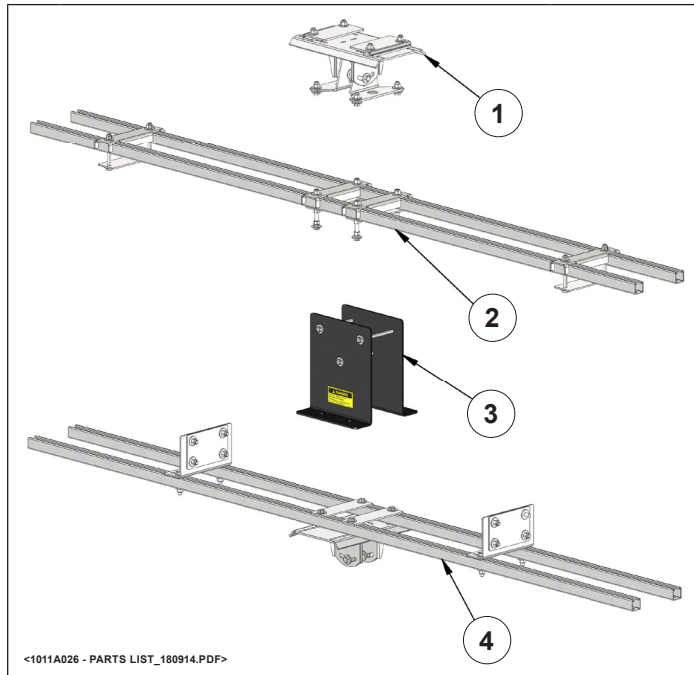
Suivre les procédures de verrouillage avant le nettoyage ou le resserrage du ventilateur.

Planned Maintenance

INSPECT AND PERFORM THE FOLLOWING:	
Fan Mounting	Check all fasteners and re-torque as required.
	Inspect fan and mounting supports for wear and tear. Tighten any loose hardware.
Cables	Re-torque clamps.
	Check for fraying or wear.
Motor and Blades	Check for dust and dirt. Remove using a brush or compressed air.

PARTS

Mounts

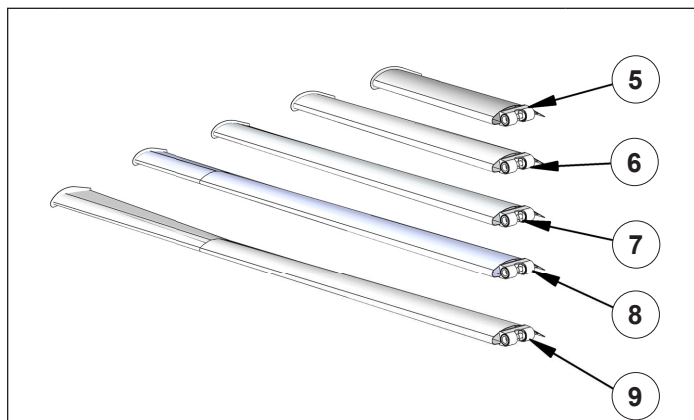


<1011A026 - PARTS LIST_180914.PDF>

#	DESCRIPTION	PART #
1	MOUNT, ASSY, DD, BEAM, KIT	55290030
2	MOUNT, ASSY, DD, TRUSS, KIT	55290032
3	BRKT, ASSY, MNT, LAM BEAM, FAN, GT	14501239
4	MOUNT, ASSY, PURLIN, REV	*

*Consult Rite-Hite for part number.

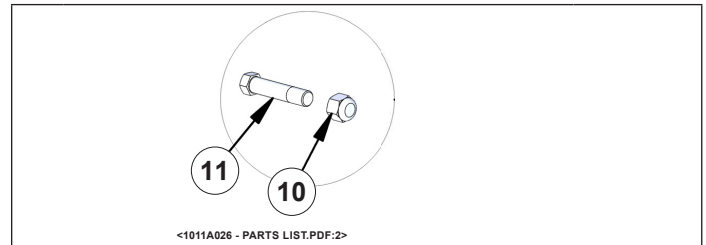
Blades



<1011A026 - PARTS LIST.PDF:2>

#	DESCRIPTION	PART #
5	BLADE, SNGL,REV, 8FT DIA	12510049
6	BLADE, SNGL,REV, 12FT DIA	12510050
7	BLADE, SNGL,REV, 16FT DIA	12510051
8	BLADE, SNGL,REV, 20FT DIA	12510052
9	BLADE, SNGL,REV, 24FT DIA	12510053

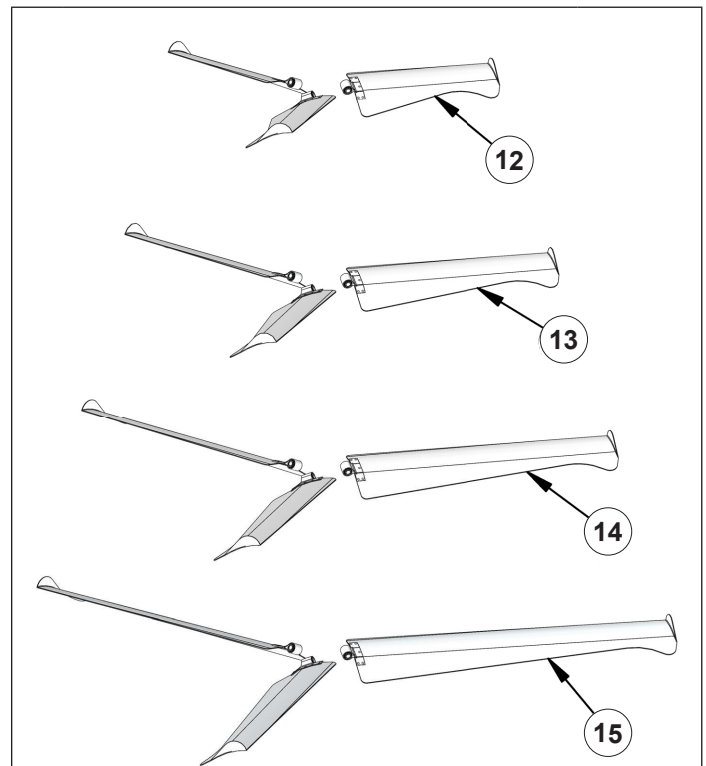
Blade Bolt



<1011A026 - PARTS LIST.PDF:2>

#	DESCRIPTION	PART #
10	NUT, BLADE BOLT, REV25	55150358
11	BOLT, BLADE, REV25	55150360

Blade Set



<1011A026 - PARTS LIST.PDF:2>

#	DESCRIPTION	PART #
12	BLADE, SET, (3), 25FT 6IN, MILL	12510048
13	BLADE, SET, (3), 25FT 8IN, MILL	12510028
14	BLADE, SET, (3), 25FT 10IN, MILL	12510027
15	BLADE, SET, (3), 25FT 12IN, MILL	12510026

Rite-Hite Company, LLC and its affiliates (collectively "Rite-Hite") warrant that the Product sold to the Owner will be free of defects in design, materials and workmanship (ordinary wear and tear excepted) for the periods set forth below ("Limited Warranty").

Three (3) Year(s) on all mechanical and electrical parts (non-prorated).
One (1) Year(s) labor, based on Rite-Hite approved travel and labor repair times.

REMEDIES

Parts: Rite-Hite's obligations under this Limited Warranty are limited to repairing or replacing, at Rite-Hite's option, any part which is determined by Rite-Hite to be defective during the applicable warranty period. Such repair or replacement shall be Rite-Hite's sole obligation and the Owner's exclusive remedy under this Limited Warranty.

Labor: Rite-Hite will provide warranty service without charge for labor per the specified warranty period. Thereafter, a charge will apply to any repair or replacement under this Limited Warranty.

CLAIMS Claims under this Limited Warranty must be made (i) within 30 (thirty) days after discovery and (ii) prior to expiration of the applicable warranty period. Warranty period commences on the date of shipment. Claims shall be made in writing or by contacting the representative from whom the Product was purchased directly. Owner must allow Rite-Hite or its agent, a reasonable opportunity to inspect any Product claimed to be defective and shall, at Rite-Hite's option, either (x) grant Rite-Hite or its agent access to Owner's premises for the purpose of repairing or replacing the Product or (y) return of the Product to the Rite-Hite, F.O.B. Rite-Hite's factory.

NOT WARRANTED Rite-Hite does not warrant against and is not responsible for wear items such as fuses, batteries, bulbs, vision and seals. No implied warranty shall be deemed to cover damages that result directly or indirectly from: (i) the unauthorized modification or repair of the Product, (ii) damage due to misuse, neglect, accident, failure to provide necessary maintenance, or normal wear and tear of the Product, (iii) failure to follow Rite-Hite's instructions for installation, failure to operate the Product within the Product's rated capacities and/or specified design parameters, or failure to properly maintain the Product, (iv) use of the Product in a manner that is inconsistent with Rite-Hite's guidelines or local building codes, (v) movement, settling, distortion, or collapse of the ground, or of improvements to which the Products are affixed, (vi) fire, flood, earthquake, elements of nature or acts of God, riots, civil disorder, war, or any other cause beyond the reasonable control of Rite-Hite, (vii) improper handling, storage, abuse, or neglect of the Product by Owner or by any third party.

DISCLAIMERS THIS LIMITED WARRANTY IS EXCLUSIVE AND IN LIEU OF ALL OTHER REPRESENTATIONS AND WARRANTIES, EXPRESS OR IMPLIED, AND RITE-HITE EXPRESSLY DISCLAIMS AND EXCLUDES ANY IMPLIED WARRANTIES OF MERCHANTABILITY OR FITNESS FOR PURPOSE. RITE-HITE SHALL NOT BE SUBJECT TO ANY OTHER OBLIGATIONS OR LIABILITIES, WHETHER ARISING OUT OF BREACH OF CONTRACT, WARRANTY, TORT (INCLUDING NEGLIGENCE AND STRICT LIABILITY) OR OTHER THEORIES OF LAW, WITH RESPECT TO THE PRODUCTS SOLD OR SERVICES RENDERED BY RITE-HITE, OR ANY UNDERTAKINGS, ACTS, OR OMISSIONS RELATING THERETO.

LIMITATION OF LIABILITY IN NO EVENT SHALL RITE-HITE BE RESPONSIBLE FOR, OR LIABLE TO ANYONE FOR, SPECIAL, INDIRECT, COLLATERAL, PUNITIVE, INCIDENTAL, OR CONSEQUENTIAL DAMAGES, EVEN IF RITE-HITE HAS BEEN ADVISED OF THE POSSIBILITY OF SUCH DAMAGES. Such excluded damages include, but are not limited to, personal injury, damage to property, loss of goodwill, loss of profits, loss of use, cost of cover with any substitute product, interruption of business, or other similar indirect financial loss.

170714

GLOBAL SALES & SERVICE *Representatives in All Major Cities***RITE-HITE WORLD HEADQUARTERS**

8900 N. Arbon Drive
P.O. Box 245020
Milwaukee, Wisconsin 53224

☎ **414-355-2600**
U.S. Only: **1-800-456-0600**

RITE-HITE CHINA

First Floor, Building #3,
558 Tongxie Road,
Changning District
Shanghai 200335, China

☎ **+86-21-6237-6333**

RITE-HITE LATIN AMERICA

Alameda Lorena 800, Conj. 1310
- Jardim Paulista
São Paulo/SP, CEP 10424-001 - Brazil

☎ **+55-11-3527-9590**

RITE-HITE GMBH

Carl-Zeiss-Strasse 3
34471 Volkmarsen, Germany

☎ **+49-5693 98700**