

CoolMan® Zone Fan

Deliver a targeted column of air designed to reduce energy costs and improve worker comfort and productivity.



Spot Cooling Application



Stator Ring boosts air speed



Efficient and Effective Airflow

- » Eliminate hot and cold spots by gently mixing air from top to bottom and side to side through powerful columns of air
- » Improve thermal comfort and save energy
- » Destratification and Spot Cooling applications

Motor

- » Available in 115V Alternating Current (AC) or 115V or 230V Electrically Commutated (EC) motors
- » Ultra-reliable direct drive motor with thermal overload protection
- » Composite fan blades deliver even greater efficiency in air movement
- » Sealed, lifetime lubricated bearings
- » Stator ring improves air velocity and throw

Housing

- » Durable double-wall construction with UV treated, flame resistant plastic
- » Patented design delivers the maximum amount of CFM to the floor level
- » Adjustable hanging positions
- » Mounts with suspension cable and Gripple® or rigid mount
- » Intake Safety Grill is standard on all models
- » Optional Exhaust Grill is required for any spot cooling applications or locations under 10 ft. high

Warranty

- » 3 year parts, 1 year labor

Coverage

- » Model ZF25 covers mounting heights up to 25 ft.
- » Model ZF50 covers mounting heights up to 50 ft.
- » Each fan covers from 1,200-1,500 sq. ft., depending on the following variables:
 - » Ceiling Height and Square Footage
 - » Targeted number of air-turns per hour

Controls

- » Single-speed AC motor allows for convenient plug 'n play design through 115V outlets
- » EC motor is easy to control individually or in zones using Speed or Auto Controllers:
 - » Control fans manually, through BMS or use temperature sensors to find the right setting for your space



Speed and Auto Controllers available for EC motor only

Specifications/Survey

Date _____

Company Name _____

Address _____

City _____

State _____ Zip Code _____

Representative _____

Salesperson _____

Quantity: _____ Signature: _____

Model:

- ZF25
 ZF50

Motor:

- AC
 EC

Voltage:

- 115V
 230V (EC motor only)

Color:

- Black (standard)
 White (optional)

Exhaust Grill (optional):

- No
 Yes (required for spot cooling applications)

Specifications

Model	CFM	dBA*	Hanging Weight (lb)
ZF25 - AC	588	36.4	15
ZF25 - EC	655	51.8	20
ZF50 - AC	1150	31.5	23
ZF50 - EC	1250	46.5	25

*Based on non-reflective area

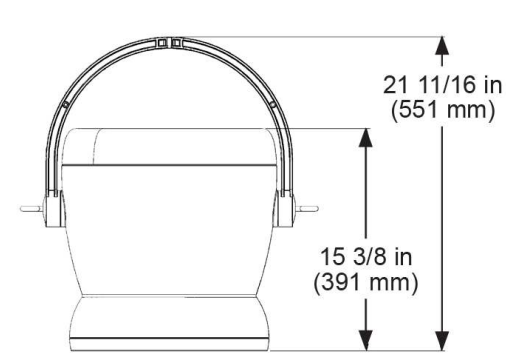
Maximum Number of Fans Per Control

Model	SPEED CONTROLLER (PN 17251025)	AUTO CONTROLLER (PN 17251022)
ZF25 - EC	8	10
ZF50 - EC	8	10

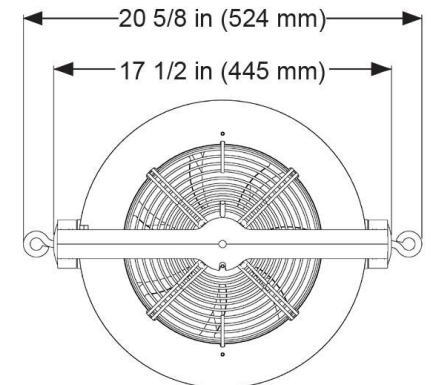
NOTE: Controllers **ARE NOT** included with the purchase of CoolMan Zone Fans with EC motors. Please order Speed or Auto Controller(s) separately.

Controllers **ARE NOT** available for CoolMan Zone Fans with AC motors.

CoolMan Zone Fan - ZF25 Model

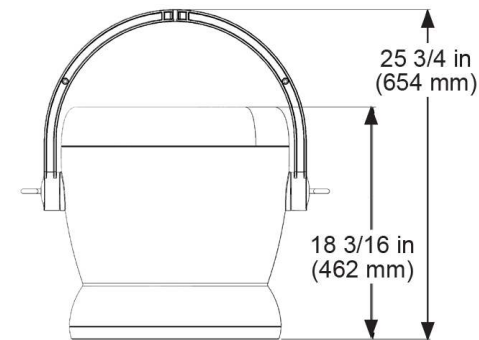


Side View

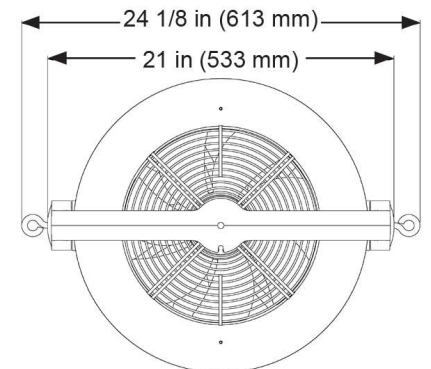


Top View

CoolMan Zone Fan - ZF50 Model



Side View



Top View

RITEHITE
 ALWAYS LOOKING AHEAD

A19CMZFSS0623H1

Milwaukee, Wisconsin, USA

www.ritehite.com

P 414-355-2600 (800-456-0600)

F 414-355-9248

Rite-Hite® and CoolMan® are trademarks of Rite-Hite Holding Corporation. Rite-Hite products may be covered by one or more U.S. Patents with other U.S. and foreign patents pending. Patent coverage: www.ritehite.com/patents. The information herein is provided as a general reference only regarding the use of the applicable products. The specifications stated here are subject to change. Manufactured by Rite-Hite Engineered Solutions Group, Inc.