

NOTICE TO USER	2
SAFETY	2
INSTALLATION	
Preparation	3
Wardens	4
Anchoring to Concrete	5
Latch Plate	6
Tensioning	8
Interlock/Interdeterrent (OPTIONAL)	9
Change Orientation (OPTIONAL)	10
Electrical	13
OPERATION	
Extend Barrier	19
Store Barrier	19
MAINTENANCE	
Planned Maintenance	20
Exterior Use	20
Re-Tensioning Roller Assembly	21
PARTS	
DGHDXL	22
DGHDCMXL	24
Interdeterrent, Interlock and Latch	25
Curtain Lead Bar and Latch	26
Interdeterrent Switch	26
Actuator	26
Interlock	27
WARRANTY	28

NOTICE TO USER

READ AND SAVE THESE INSTRUCTIONS.

Thank you for purchasing a Rite-Hite product.

The Dok-Guardian HDXL Safety Barrier is designed:

- to stop a 10,000 lb (4536 kg) fork truck traveling at up to 4 miles per hour.
- with a tolerance of minus 6 in (152 mm) or plus 5 in (127 mm).

Read and understand this manual before installation, service, or operation of this equipment.

The English version of this manual shall prevail over any error in, or conflicting interpretation of, any translations.

Rite-Hite reserves the right to substitute and/or modify parts and drawings. If separate prints are included with the unit, they supersede those contained in the manual.

For best results, have this product installed and serviced by an authorized Rite-Hite representative.

A Planned Maintenance Program (P.M.P.), customized to your specific operation is available and recommended. For a P.M.P., contact your local Rite-Hite representative or Rite-Hite technical support at 888-456-3625 (NA), +55 21 99616 4421 (SA), or +49-5693 98700 (EU).

Patent Coverage: www.ritehite.com/patents

Manufactured by Rite-Hite Engineered Solutions Group, Inc.

SAFETY

Safety Identifications

DANGER

Indicates a hazardous situation which, if not avoided, will result in death or serious injury.

Indique une situation dangereuse qui, si elle n'est pas évitée, peut entraîner la mort ou de graves blessures.

WARNING / AVERTISSEMENT

Indicates a hazardous situation which, if not avoided, could result in death or serious injury.

Indique une situation dangereuse qui, si elle n'est pas évitée, peut entraîner la mort ou des blessures graves.

CAUTION / ATTENTION

Indicates a hazardous situation which, if not avoided, could result in minor or moderate injury.

Indique une situation dangereuse qui, si elle n'est pas évitée, peut entraîner des blessures légères à modérées.

NOTICE

Indicates a situation which can cause damage to the equipment, personal property and/or the environment, or cause the equipment to operate improperly.

NOTE: A note is used to inform you of important installation, operation, or maintenance information.

SAFETY

General

WARNING / AVERTISSEMENT

Spring under tension.

DO NOT unwind the roller spring!

Ressort sous tension.

NE PAS dérouler le rouleaux à ressort!

WARNING/AVERTISSEMENT

Cancer and Reproductive Harm

www.P65Warnings.ca.gov

Canver al problèmes du système de reproduction

www.P65Warnings.ca.gov

CAUTION / ATTENTION

Barricade the work area until the unit(s) have been completely installed.

Barricader la zone de travail jusqu'à ce que l'unité(s) ont été complètement installé.

NOTICE

Do not install unit in areas that exceed 140°F (60°C).

INSTALLATION

Preparation

The Dok-Guardian is shipped to order.

If ordered/shipped correctly, refer to "**Wardens**" (page 4).

If you need to alter the orientation from what was ordered/shipped, refer to "**Change Orientation (Optional)**" (page 10).

Required Tools

1	Tape Measure
1	Bubble Level
1	Roto Hammer w/ 3/4 in x 8 in Bit
–	Shop Vacuum or Compressed Air
≥	Cleaning Towel(s)
1/2 in, 9/16 in, 3/4 in, and 1 1/8 in Impact Sockets	
3/8 in, 1/2 in, 9/16 in, and 3/4 in Wrenches	
Phillips Screwdriver	
1/4 in and 1/2 in Drill Bit	
3/8 in Socket Driver	
3/16 in Allen Wrench	
T-30 Torx Bit and Driver	

INSTALLATION

Wardens

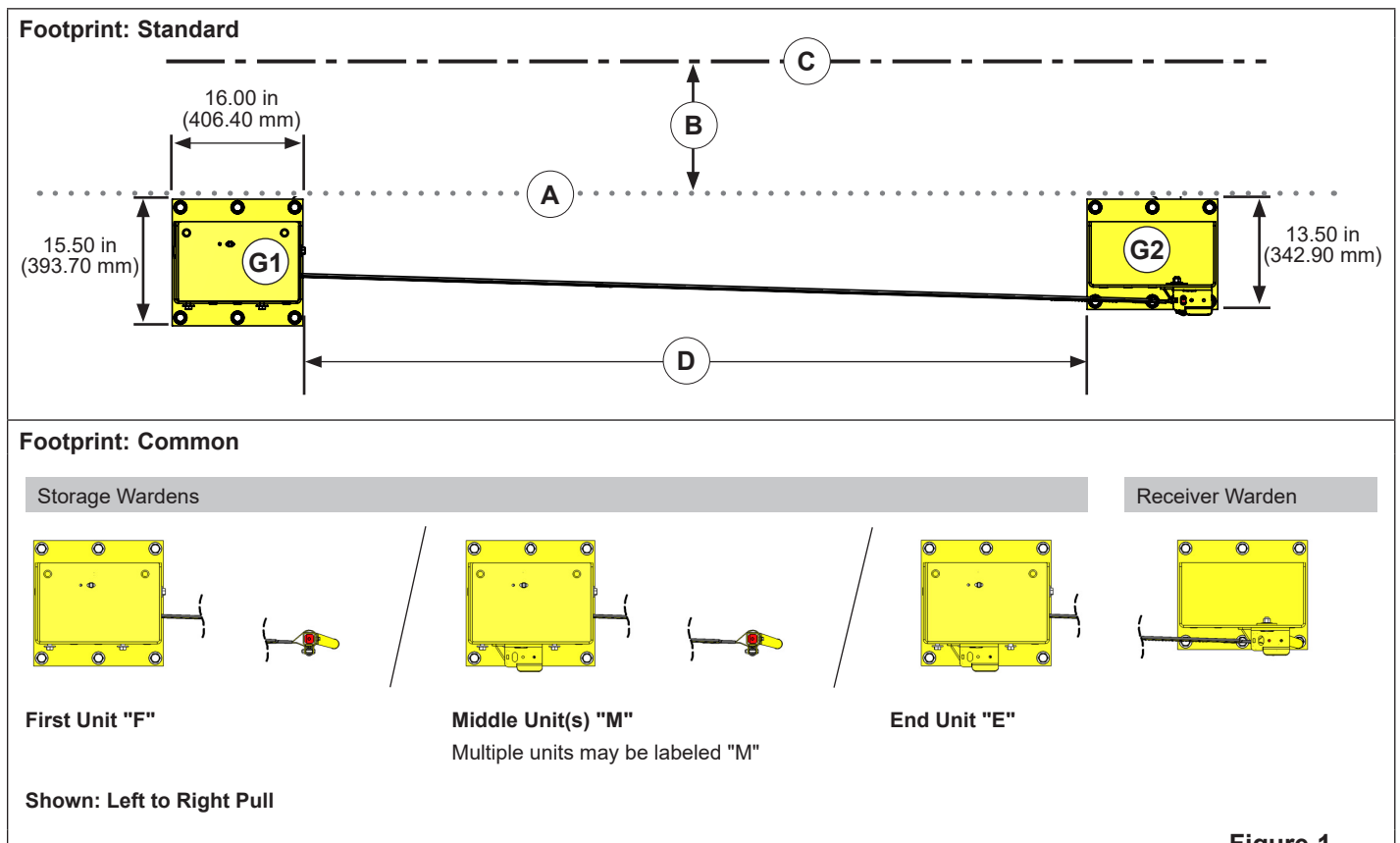


Figure 1

Reference the survey drawing completed by the salesperson if it is available.

The inner wall of each warden are labeled with the curtain's C.O.W. (Clear Opening Width) and a letter indicating the type of unit "F" = First, "M"= Middle, and "E" = End.

1. The back side of all wardens should be flush (A) and measure the same distance (B) from the dock edge or equipment it is protecting (C).

Position the inside edge of the wardens even with the door jamb and the backs at least:

- 17 in (432 mm) from the dock edge (B), for units up to 11 ft-5 in (3.48 m) C.O.W. (D)
- 30 in (762 mm) from the dock edge (B), for units greater than 11 ft-5 in (3.48 m) C.O.W. (D)

Make sure the placement of the wardens do not interfere with any door operation.

Footprint: Standard, refer to Step 5 (i.e.1 Storage [G1], 1 Receiver [G2]).

Footprint: Common, refer to Step 2.

2. **First Unit "F"**: Position to begin the chain. The C.O.W. between unit "F" and the first "M" unit must be within 5 in (127 mm) of the width dimension on the back of unit "F".
3. **Middle Unit(s) "M"**: Center each unit in the space available between the respective doors being serviced. Arrange, in correct sequence, any "M" units that vary in C.O.W. Make sure the C.O.W. between the units is within 5 in (127 mm) of the width dimension labeled on the back of each unit's respective storage unit.
4. **End Unit "E"**: Position unit "E" and the latch side warden to end the chain. Make sure the C.O.W. between unit "E" and the latch side warden is within 5 in (127 mm) of the width dimension on the back of unit "E".
5. After the units are within their respective service ranges, shim the wardens as necessary to be plumb and level.
6. Complete **"Anchoring to Concrete"** (page 5).

INSTALLATION

Anchoring to Concrete

The Dok-Guardian HDXL Safety Barrier requires a minimum concrete thickness of 6.75 in (170 mm) to provide correct unit performance.

Required Tools

1	Roto Hammer w/ 3/4 in Bit
-	Shop Vacuum or Compressed Air
1/2 in, 9/16 in, 3/4 in, and 1 1/8 in Impact Sockets	
3/8 in, 1/2 in, 9/16 in, and 3/4 in Wrenches	

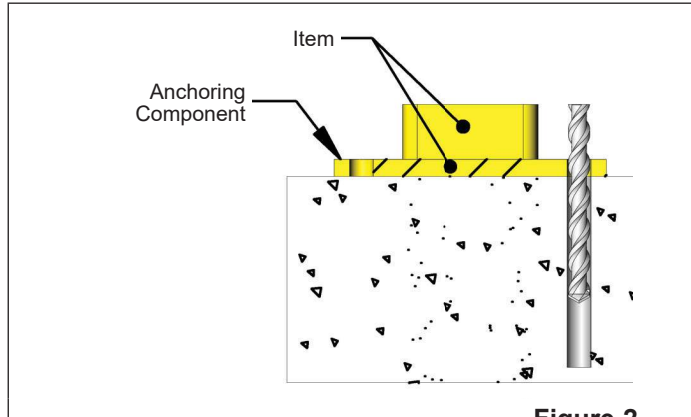


Figure 2

1. Position the Dok-Guardian HDXL Safety Barrier in its intended position. Use the anchoring component of the item as a template and drill diameter holes a minimum of 1 in (25 mm) deeper than the length of the anchor or completely through the concrete.

NOTE: Drill bits that are too small or excessively worn will make it difficult to install the anchor. Drill bits that are too large will reduce the anchor's load capacity.

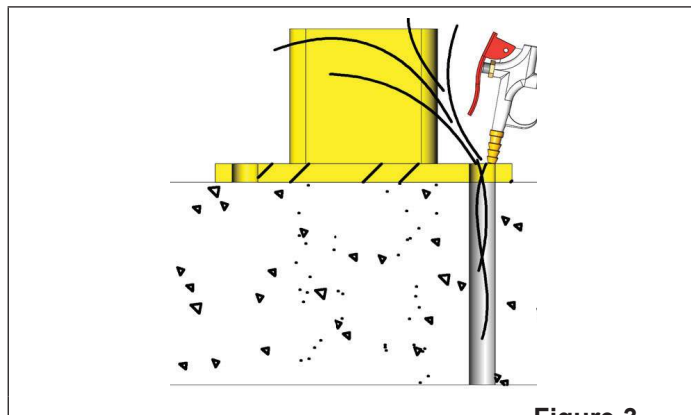


Figure 3

2. Use compressed air or vacuum to clean the drilled hole so you can tighten the anchor completely.

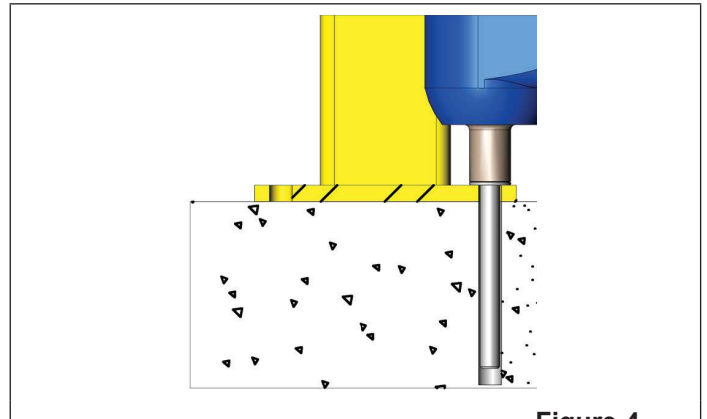


Figure 4

3. Use an impact wrench and 1 1/8 in socket to install the 3/4 in x 7 in concrete anchors through base plate and into the holes drilled into the concrete.

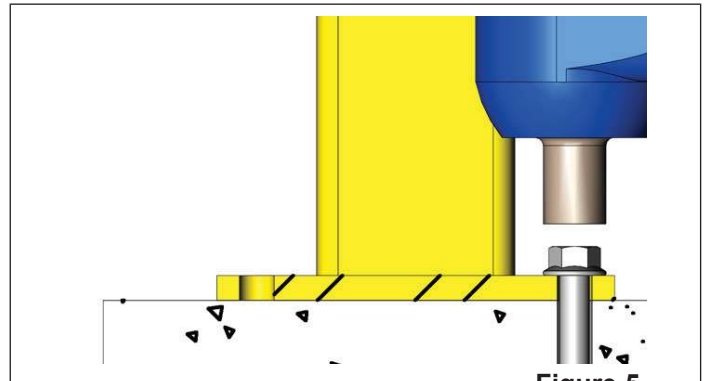


Figure 5

4. Use the impact wrench to tighten all anchors to 150 ft-lbs (203 Nm). Make sure the hex washer head is in contact with the anchoring component.
5. Repeat this process for all of the concrete anchors on the unit.

INSTALLATION

Latch Plate

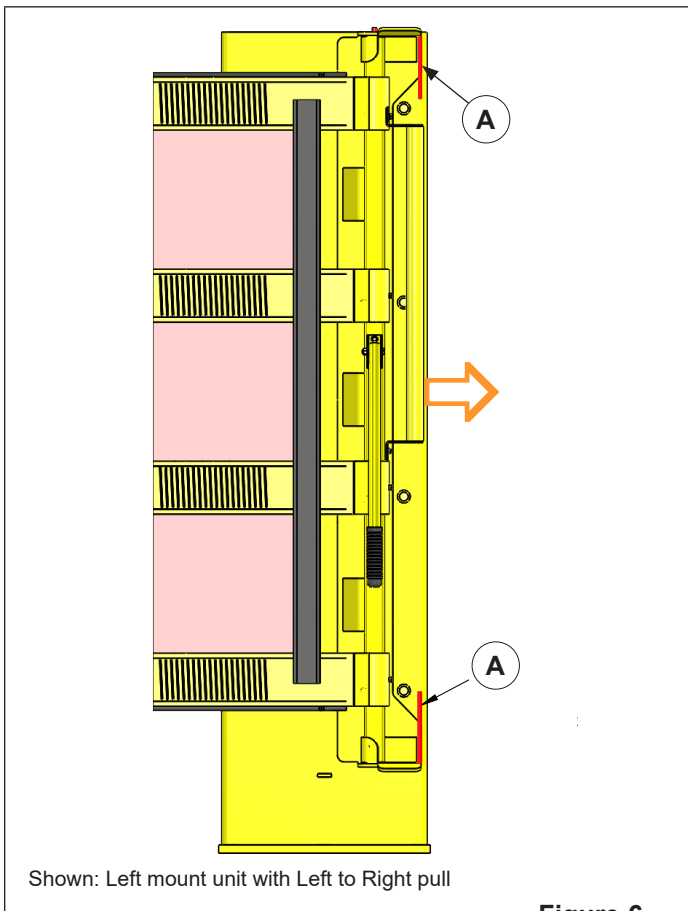


Figure 6

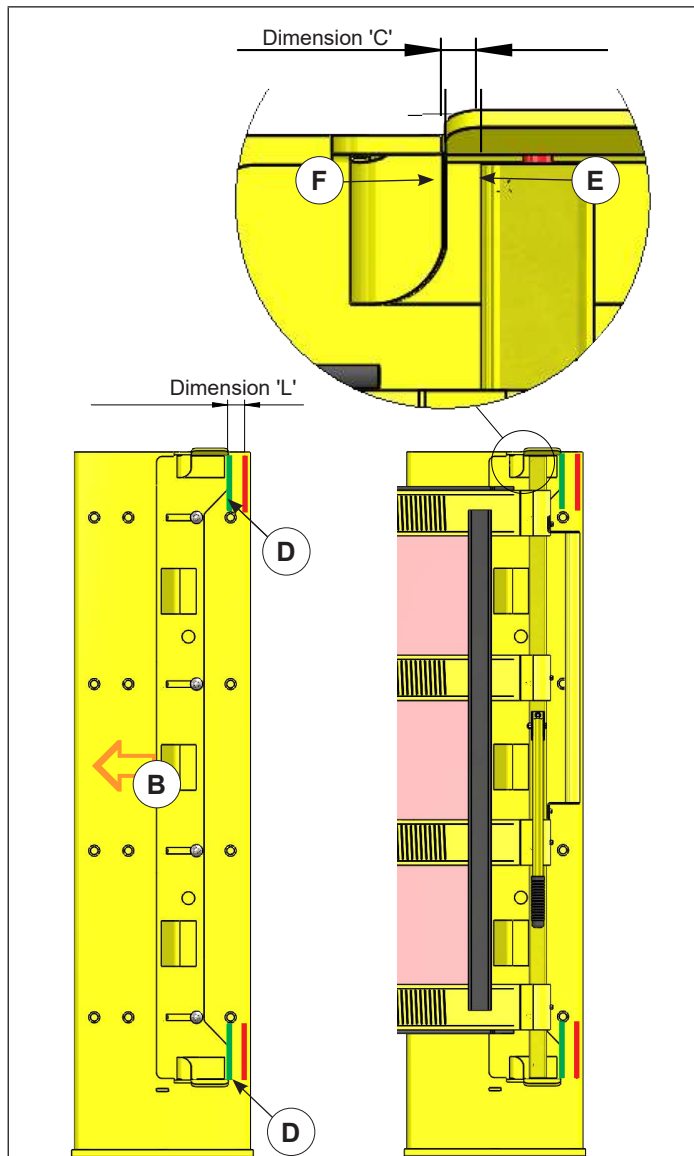
1. Loosen the bolts holding the slotted latch plate to the receiver warden, so the entire latch plate slides easily back and forth.
2. Pull the curtain out and place the lead bar into the loose slotted latch plate on the receiver warden.
3. Push the slotted latch plate (with the curtain lead bar still engaged) away from the storage warden until the retainer bar in the storage warden is engaged (Figure 6).

NOTE: If the slotted latch plate engages before the curtain lead bar when moving laterally, the slotted latch plate must be moved to compensate. To compensate, move the slotted latch plate to the next set of holes away from the storage warden. Loosely tighten the bolts to allow for lateral movement and repeat step 3.

4. Mark the outside edge of the slotted latch plate on the receiver warden on top and bottom (A).

INSTALLATION

Latch Plate *Continued*



5. After the marks have been made, return the curtain lead bar to the storage warden.
6. Move the slotted latch plate away from the marks (B). Measure Dimension 'L' towards the opening of the unit and make another 'L' vertical mark (D) on top and bottom, parallel to the original mark.
7. Line up the edge of the slotted latch plate on top and bottom with the new marks and tighten down bolts.
8. Pull the curtain across opening and put curtain lead bar into slotted latch plate. The innermost face of the curtain lead bar (E) should extend no more than Dimension 'C' beyond the outermost edge of the cup (F) on the slotted latch plate.

Shown: Left mount unit with Left to Right pull

NOTE: Curtain may stretch with use. Make sure there is a maximum gap of Dimension 'C' at full curtain extension. Refer to **"Planned Maintenance"** on page 20.

	DIMENSION 'L'	DIMENSION 'C'		
NOMINAL CURTAIN	3L	3 in (76 mm)	3 in (76 mm)	
	4L			
	5L			
	6L			
	7L			
	8L			
	9L	2 in (51 mm)		1 in (25 mm)
	10L			
11L	1-1/2 in (38 mm)	1/2 in (13 mm)		
12L				

Figure 7

INSTALLATION

Tensioning

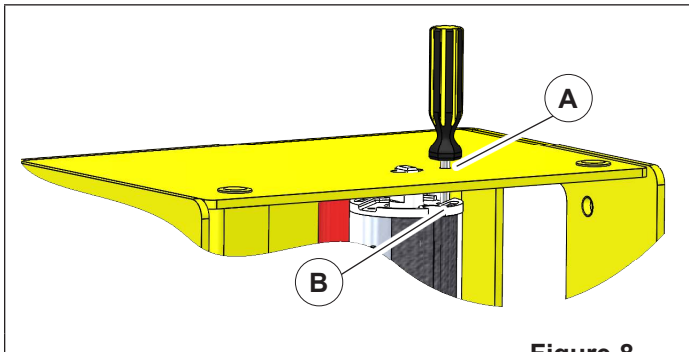


Figure 8

If the top of the curtain “sags” or seems to be loose:

1. Angle the curtain attachment on the roller so the top of the curtain is pulled slightly tighter. With the curtain pulled out and engaged, unroll the rest of the curtain until the touch and hold fastener is accessible.
2. Lock the roller with a screwdriver, by inserting the screwdriver through the hole in the top of the storage support (A) and 1 of the slots (B) in the roller tube concurrently.
3. Remove the curtain from the roller and angle the curtain so the top of the curtain is slightly tighter. Hold the roller while removing the screwdriver. Let the curtain roll up slowly.
4. Disengage the curtain from the latch plate and roll the unit up 2 or 3 times. Engage the unit to see if the curtain is tighter.
5. Repeat to add more angle, if necessary.

INSTALLATION

Interlock/Interdeterrent (OPTIONAL)

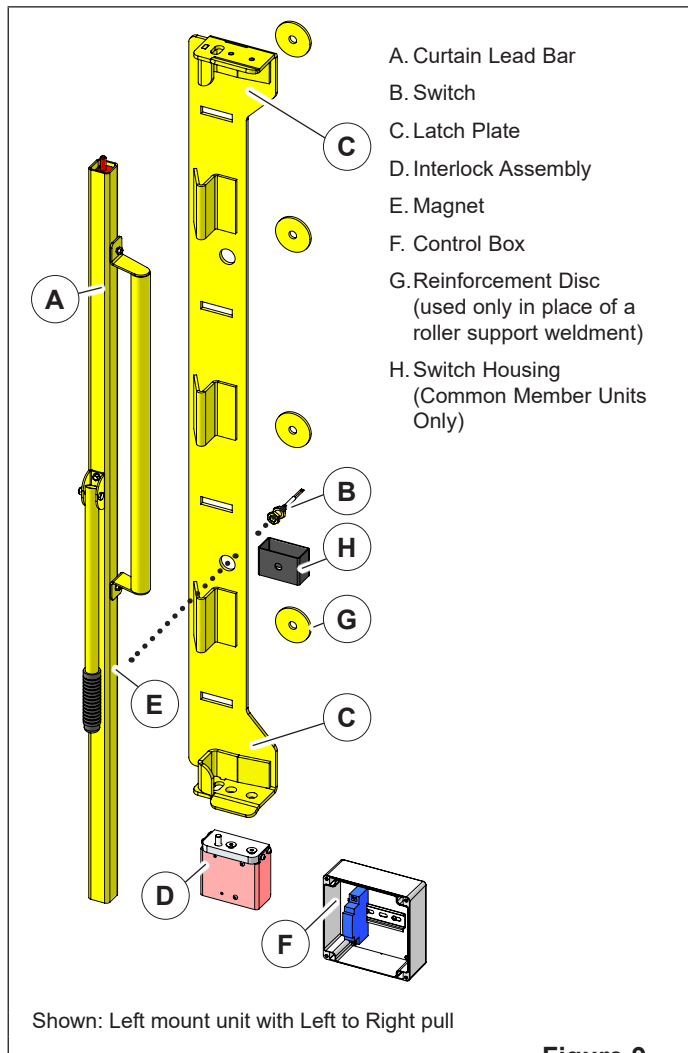


Figure 9

Interlock/Interdeterrent Switch

1. Determine the correct location of latch plate (C) on warden to have the curtain provide the correct stopping distance from impact.
2. Make sure there is concentricity with the magnet (E) and large circular hole in latch plate..
3. Remove curtain lead bar (A).
4. Use the latch plate (C) as a template. Drill a 1/2 in (13 mm) hole through the warden (not shown) to pass the threaded body of the switch (B) to the back side of the warden.
5. Install switch in hole. Leave the sensing face minimally recessed from the front surface of latch plate (C).
6. Wire switch to options module on trailer restraint.

Interlock (Actuator) Assembly

1. Drill 1/4 in (6.4 mm) hole through the post near the back side of interlock assembly (D). **DO NOT** obstruct any interlock assembly components.
2. Mount the interlock assembly to the latch plate with 2 screws (supplied).
3. Feed wires through drilled hole and wire interlock assembly (D) to options module on trailer restraint.
4. Mount the power supplied control box (F) in a convenient location on the back of post or on the wall.
5. Repeat steps as necessary for common post units.

INSTALLATION

Change Orientation (OPTIONAL)

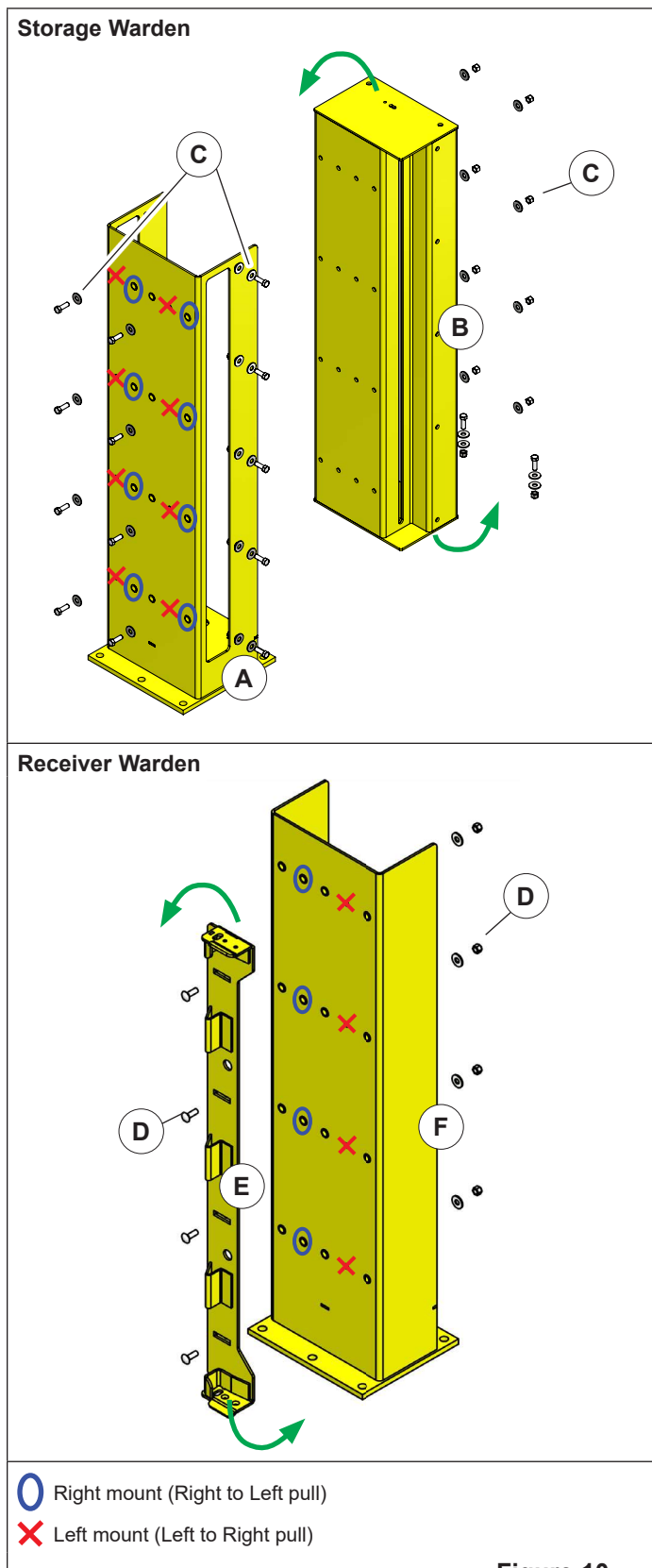


Figure 10



Figure 11

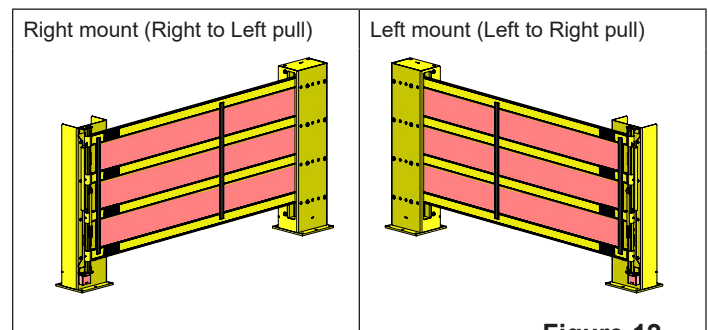


Figure 12

To modify the Dok-Guardian wardens to pull the curtain in the opposite direction:

1. Separate the roller support (B) from the storage warden (A) by removing the 11 bolts, washers, and nuts (C).
2. Turn the roller support upside down and refasten (according to Right or Left mount).
3. Move the curtain 2 in from cut aluminum ("Figure 11"). Refer to "Tensioning" on page 8 for spring tension locking procedure.
4. Separate the latch plate (E) from the receiver warden (F) by removing the 4 bolts, washers, and nuts (D).
5. Turn the latch plate upside down.
6. Position the latch plate (according to Right or Left mount) and refasten.

INSTALLATION

Change Orientation (OPTIONAL) *Continued*

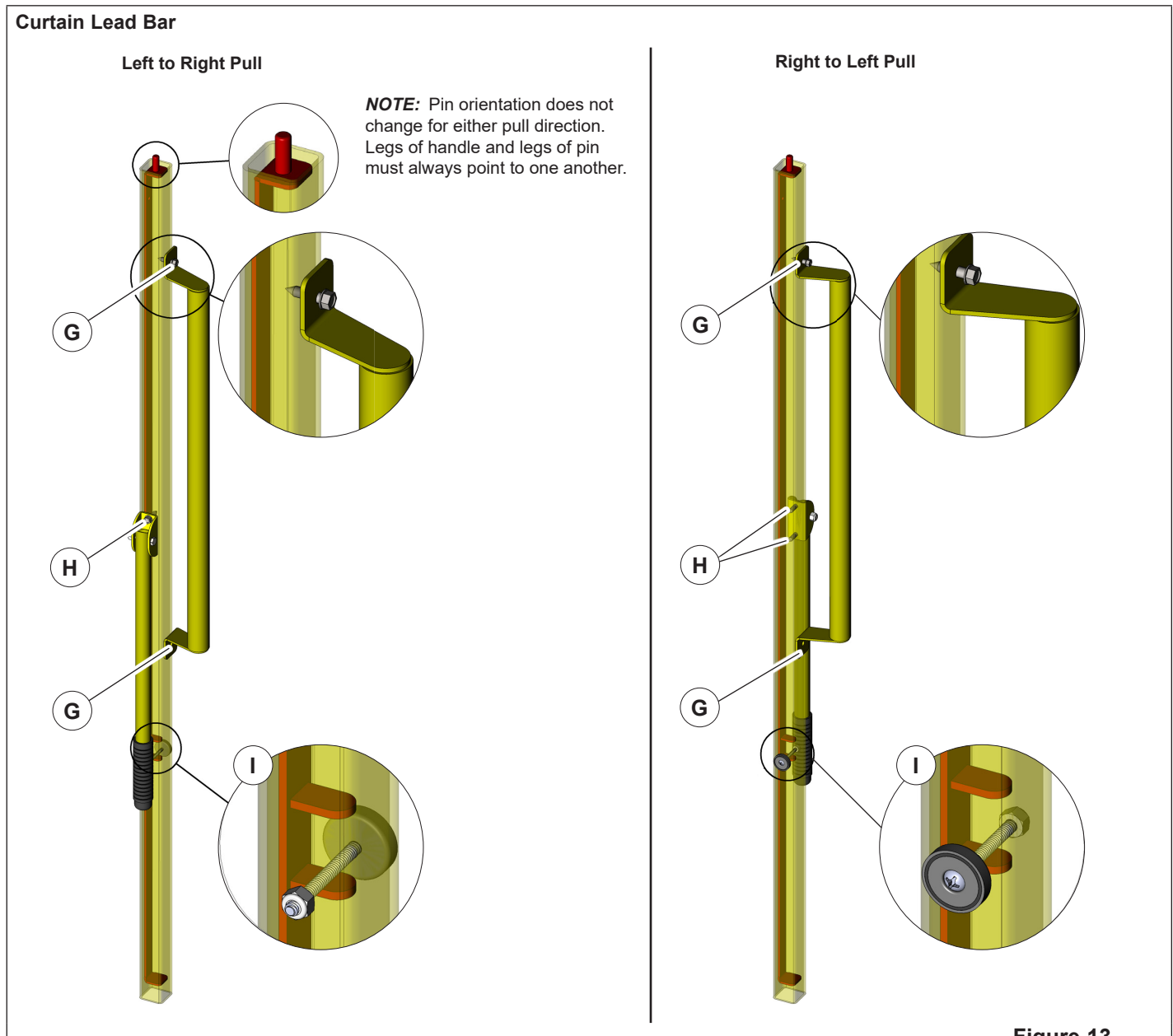


Figure 13

7. Remove, rotate and reattach the lead bar from the curtain:
 - a. Remove screws (G) that connect the curtain straps and the pull handle from the lead bar. Remove screws (H) from the swivel handle.
 - b. Turn the lead bar upside down and reinsert into curtain straps.
 - c. Reinstall screws to connect the curtain straps, pull handle, and lead bar. Use the same holes.
 - d. Reinstall the swivel handle on the opposite side (according to Right or Left mount). Create new holes with self-tapping screws
8. Remove screw, nut and magnet from bar (I). Feed screw for magnet through opposite side and re-assemble.

INSTALLATION

Change Orientation (OPTIONAL) *Continued*

Interlock Assembly (if equipped)

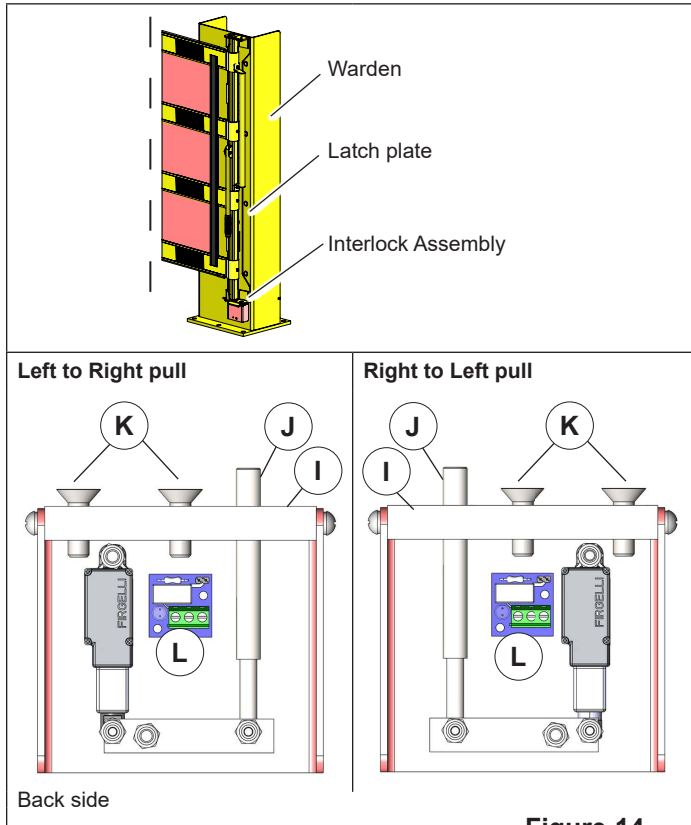


Figure 14

9. Follow order in **Figure 15** to flip zinc plate (I) end over end and swap/relocate interlock actuator (J) and flat screws (K). Reverse order to refasten.

NOTE:

- Circuit board (L) is centered and does not get moved.
- **DO NOT** overtighten nylock nuts. Actuator should have freedom of movement.
- Nylock nuts (supplied with actuator) finish flush with the screw end (M).

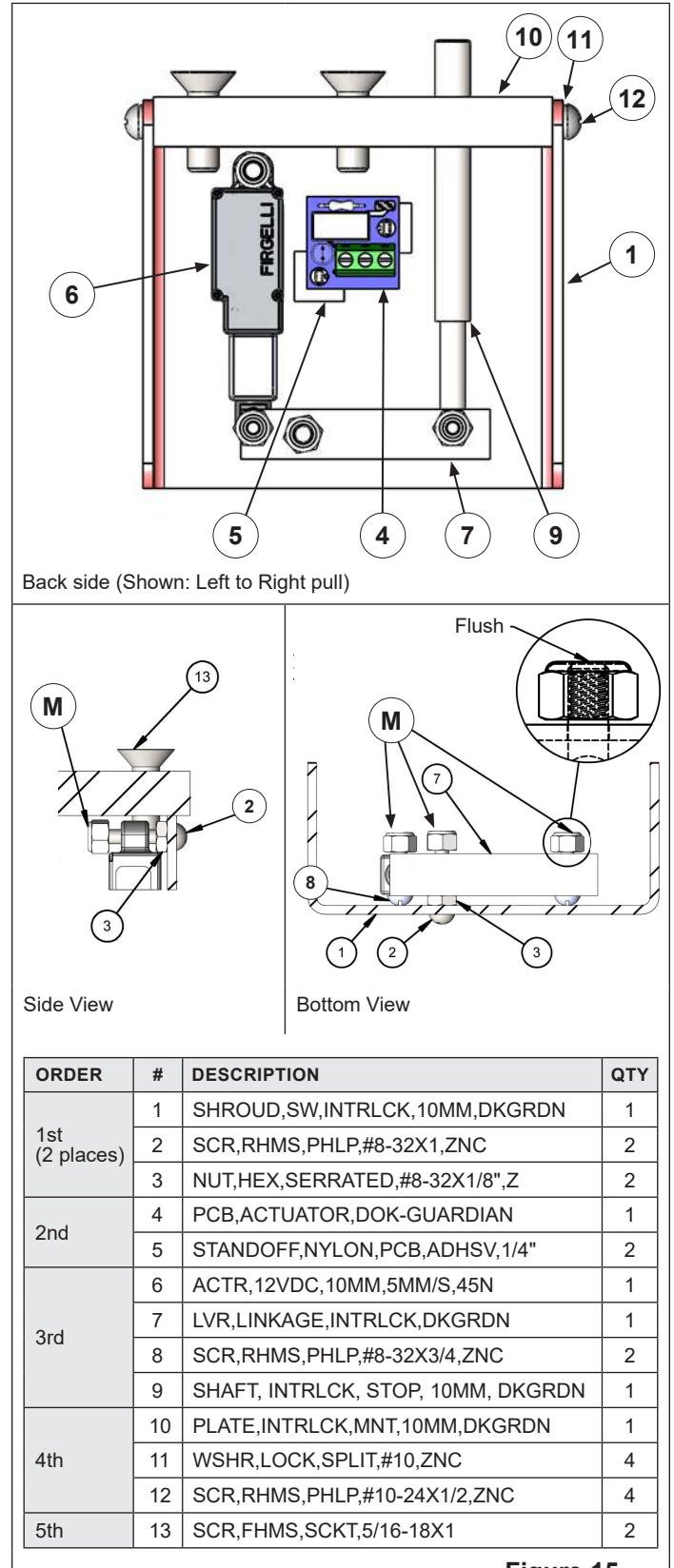
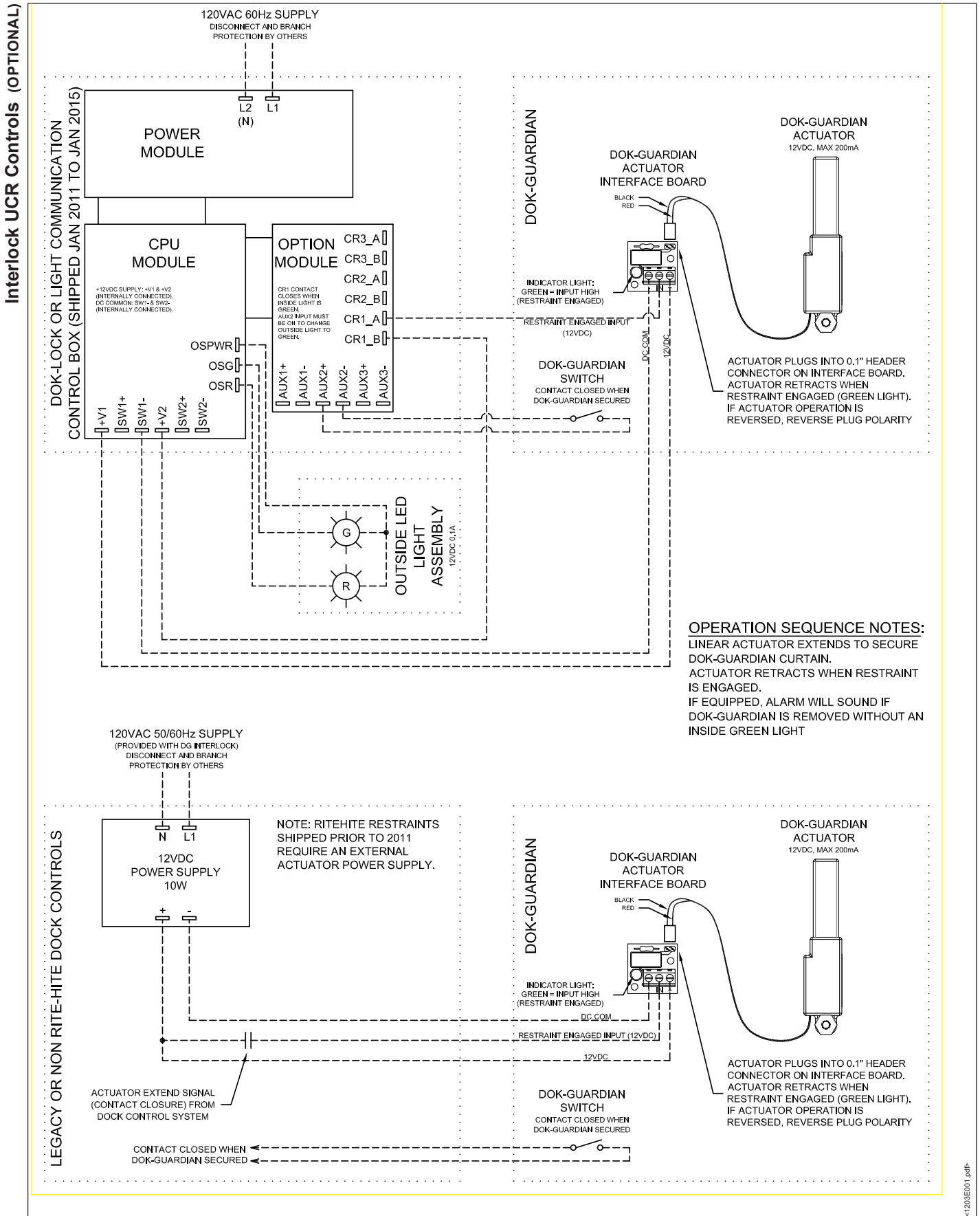


Figure 15

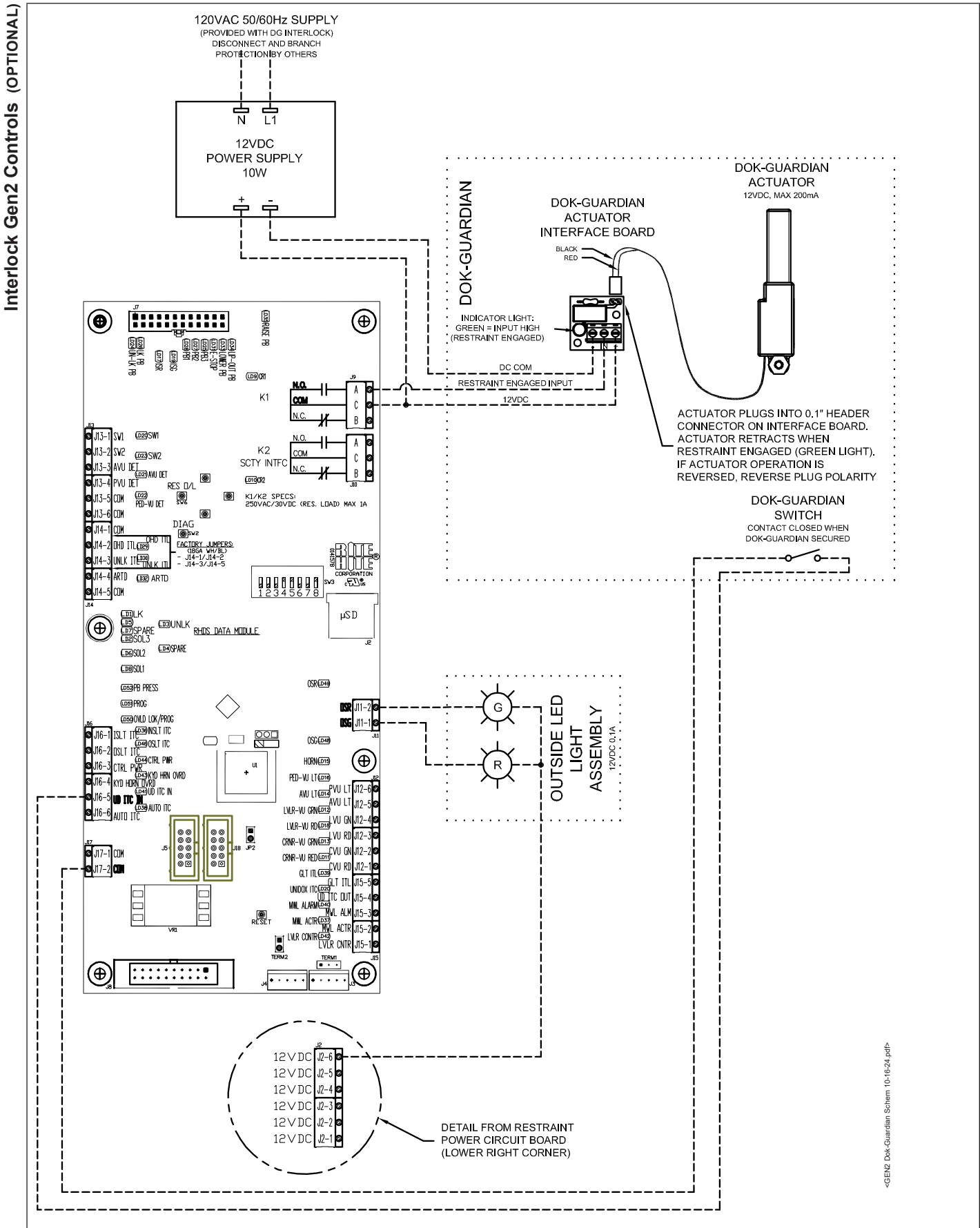
INSTALLATION

Electrical



INSTALLATION

Electrical

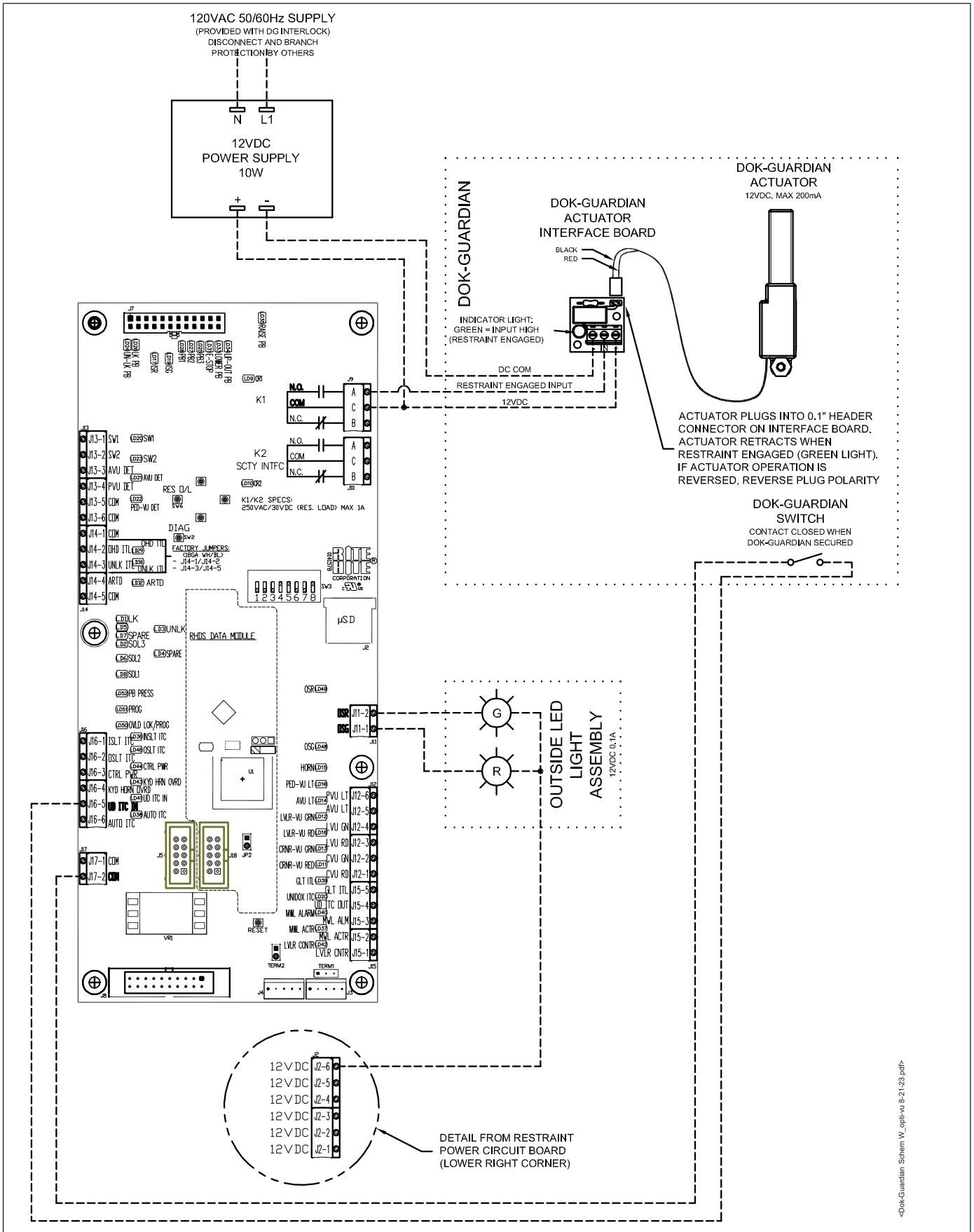


e-GEN2 Dok-Guardian Schem 10-16-24.pdf

INSTALLATION

Electrical

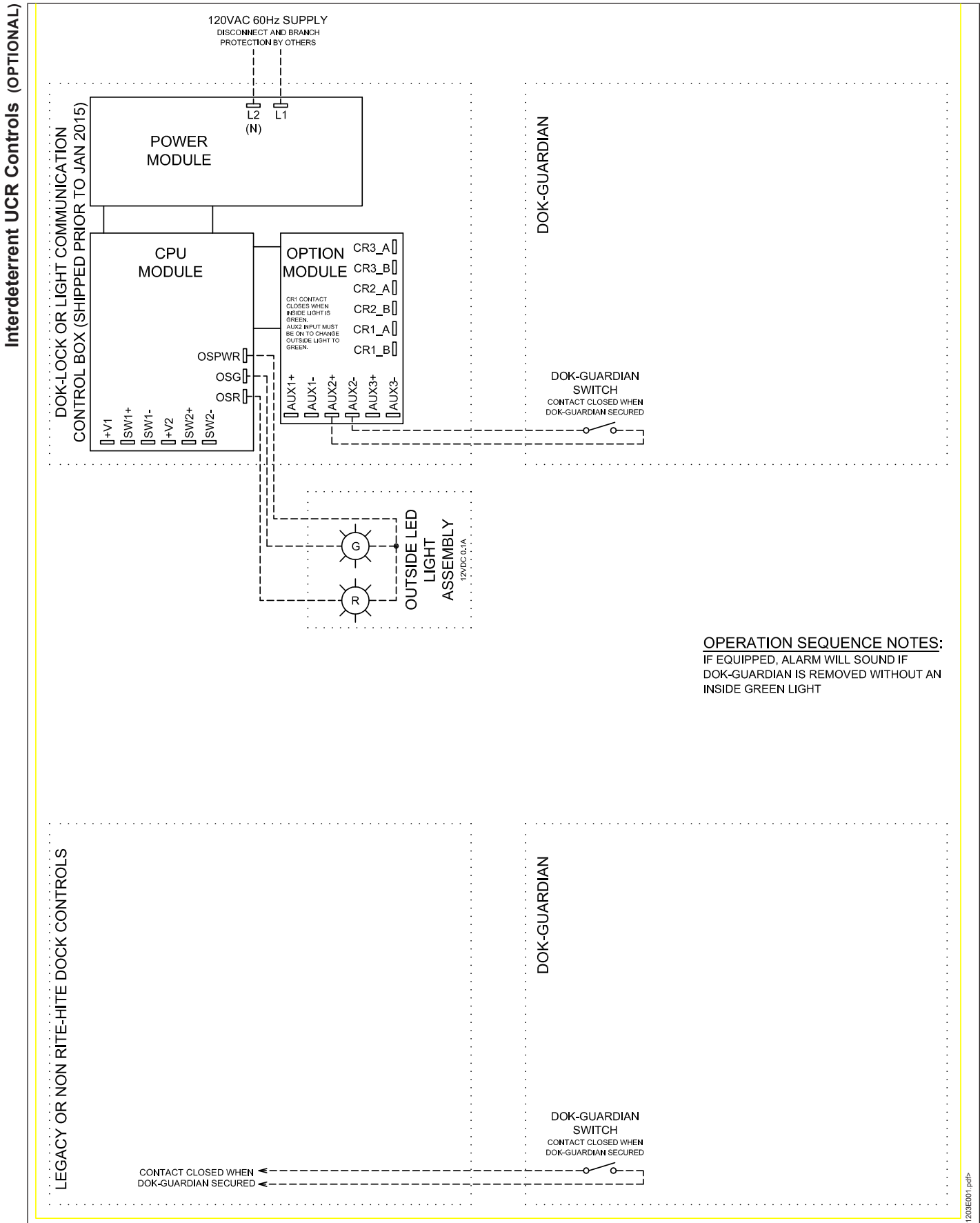
Interlock with Opti-Vu (OPTIONAL)



<Dok-Guardian_Schem_W_opti-vu_8-21-23.pdf>

INSTALLATION

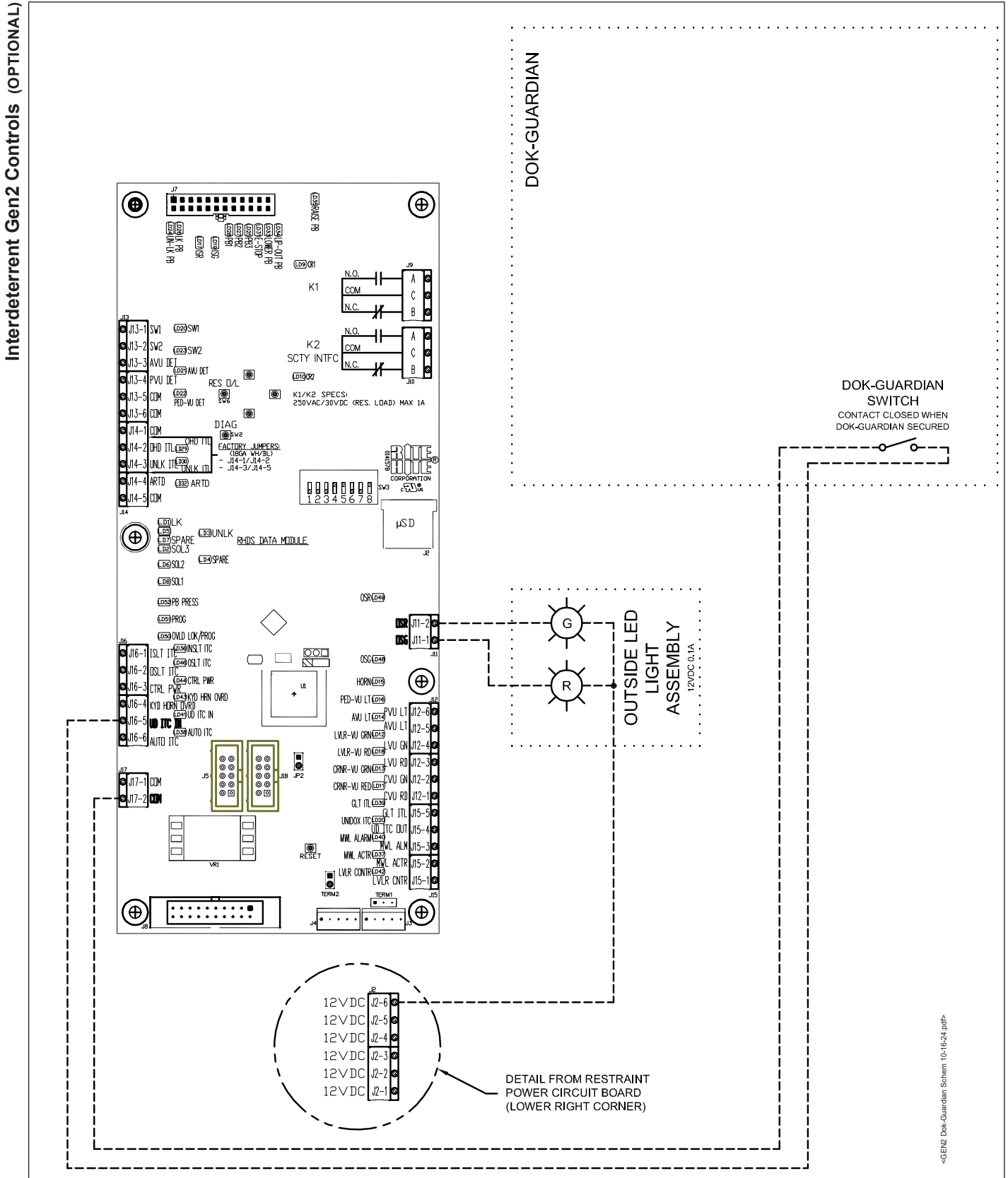
Electrical



41203E001.pdf

INSTALLATION

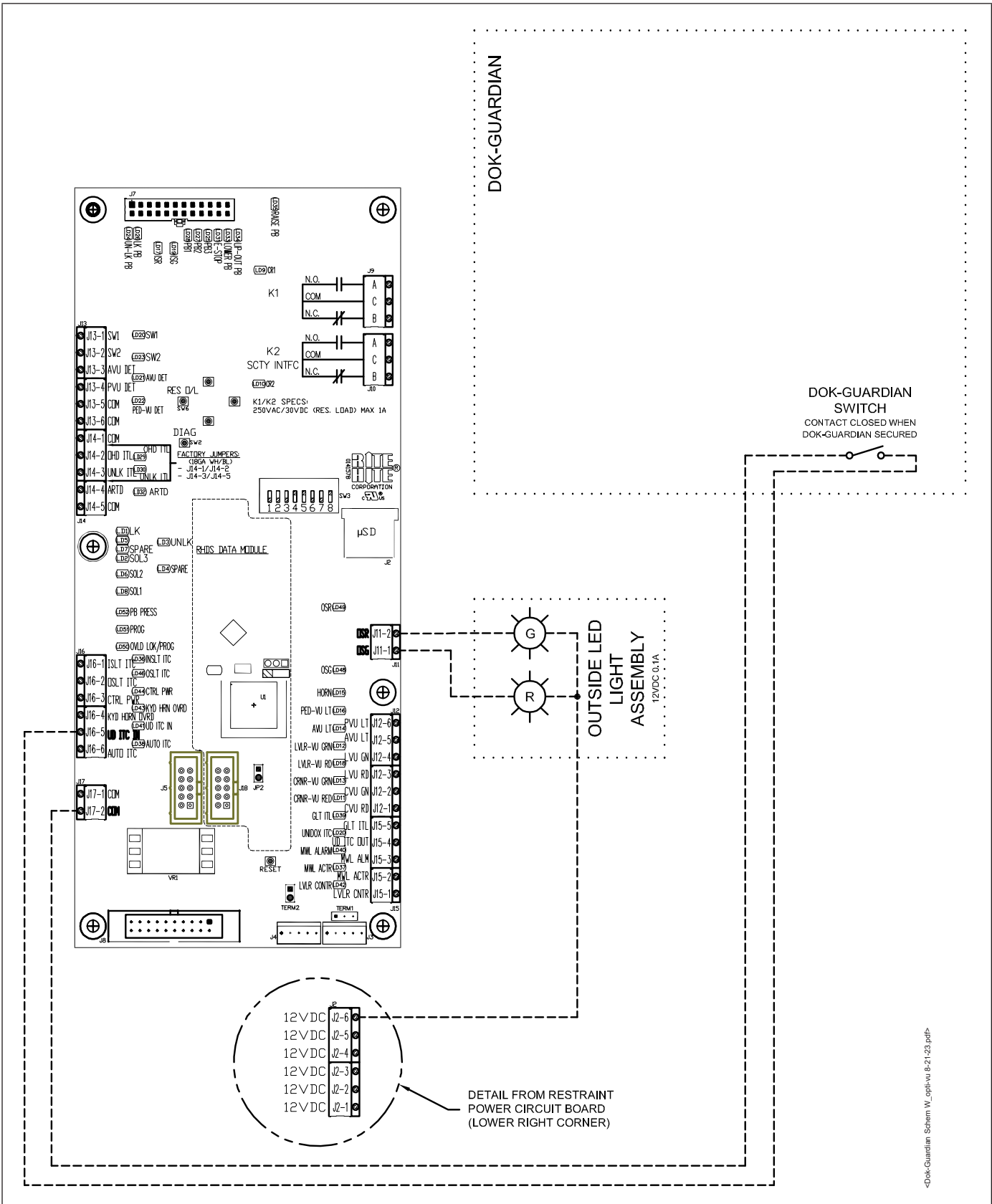
Electrical



INSTALLATION

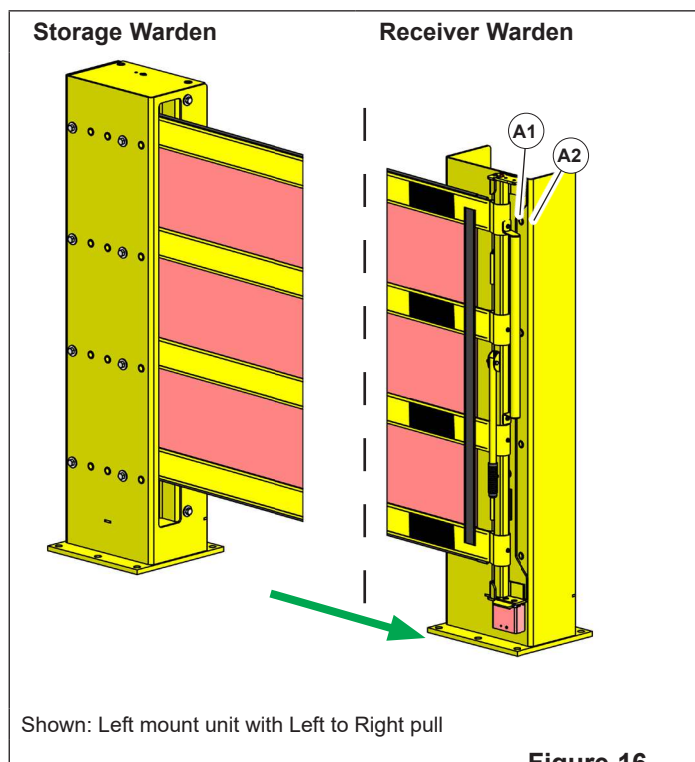
Electrical

Interdeterrant Gen2 Controls with Opti-Vu (OPTIONAL)



Dok-Guardian Schem W_opti-vu 8-21-23.pdf

OPERATION



Extend Barrier

1. At the storage warden, grasp the steel handle of the curtain and walk curtain across the opening.
2. Latch the curtain lead bar attached to the end of the curtain (A1) into the latch plate (A2) at the opposite side of the opening.
3. Make sure the curtain lead bar is fully engaged in latch plate.

NOTE: Because the pull force may be up to 50 lb (23 kg), perform this operation with straight motions (do not twist the body).

Store Barrier

1. Grasp the steel handle of curtain and release from the latch plate.
2. Walk the curtain back to opposite side of the opening while supporting the curtain (to allow the curtain to correctly roll up).
3. Release the handle only when the curtain and curtain lead bar are secured inside the storage warden.

MAINTENANCE

Planned Maintenance

CUSTOMER:			SALES ORDER #:	SERIAL #:	DATE:
P.M. IN DAYS			INSPECT AND PERFORM THE FOLLOWING:		
1	30	90			
✓	✓	–	Cycle the unit. Inspect unit for damage from impact.		
✓	✓	–	Look for tears in the curtain or steel that is bent or damaged.		
–	✓	–	Make sure the concrete anchors are tight. Tighten with impact wrench.		
–	✓	–	Latch the curtain in the protected position. Press against the curtain and make sure that the curtain travel is restricted before Dimension "C" Figure 7 of curtain is allowed to unroll from the roller assembly.		
–	✓	–	Unlatch the curtain and allow it to be rolled up by the roller assembly. Watch for any binding or loose edges on the curtain that may get caught or inhibit the curtain from correctly rolling up.		
–	✓	–	Replace curtain if sewing becomes frayed or if there is significant damage to the mesh.		
–	✓	–	Clean the unit as necessary to maintain high visibility.		
–	–	✓	Curtain may stretch with use. Make sure there is a maximum gap of Dimension "C" at full curtain extension. Refer to page 7 .		

Exterior Use

When used in an exterior environment, additional maintenance may be required, such as:

- Lubricating the roller bushing, checking the stitching of the curtain, and checking for debris
- Additional lubrication, if the curtain is difficult to pull out or the retraction of the curtain slows down
- Disassembling the roller and lubricating the spring
- The curtain replaced at shorter intervals due to additional weathering

MAINTENANCE

Re-Tensioning Roller Assembly

WARNING / AVERTISSEMENT

Spring under tension.

DO NOT unwind the roller spring!

Ressort sous tension.

NE PAS dérouler le rouleaux à ressort!

The spring roller assembly comes from the factory pretensioned. In normal use, the roller assembly will not need adjusting or re-tensioning. Use the following procedure only if the roller assembly is allowed to unwind.

1. Find a medium sized screwdriver to help hold tension on the assembly when the spring is wound.
2. Make sure both ends of the roller assembly are securely held in the roller holder.
3. Find the label on the roller indicating the direction the roller will need to be wound.
4. Wind the roller 22 revolutions in the direction indicated.

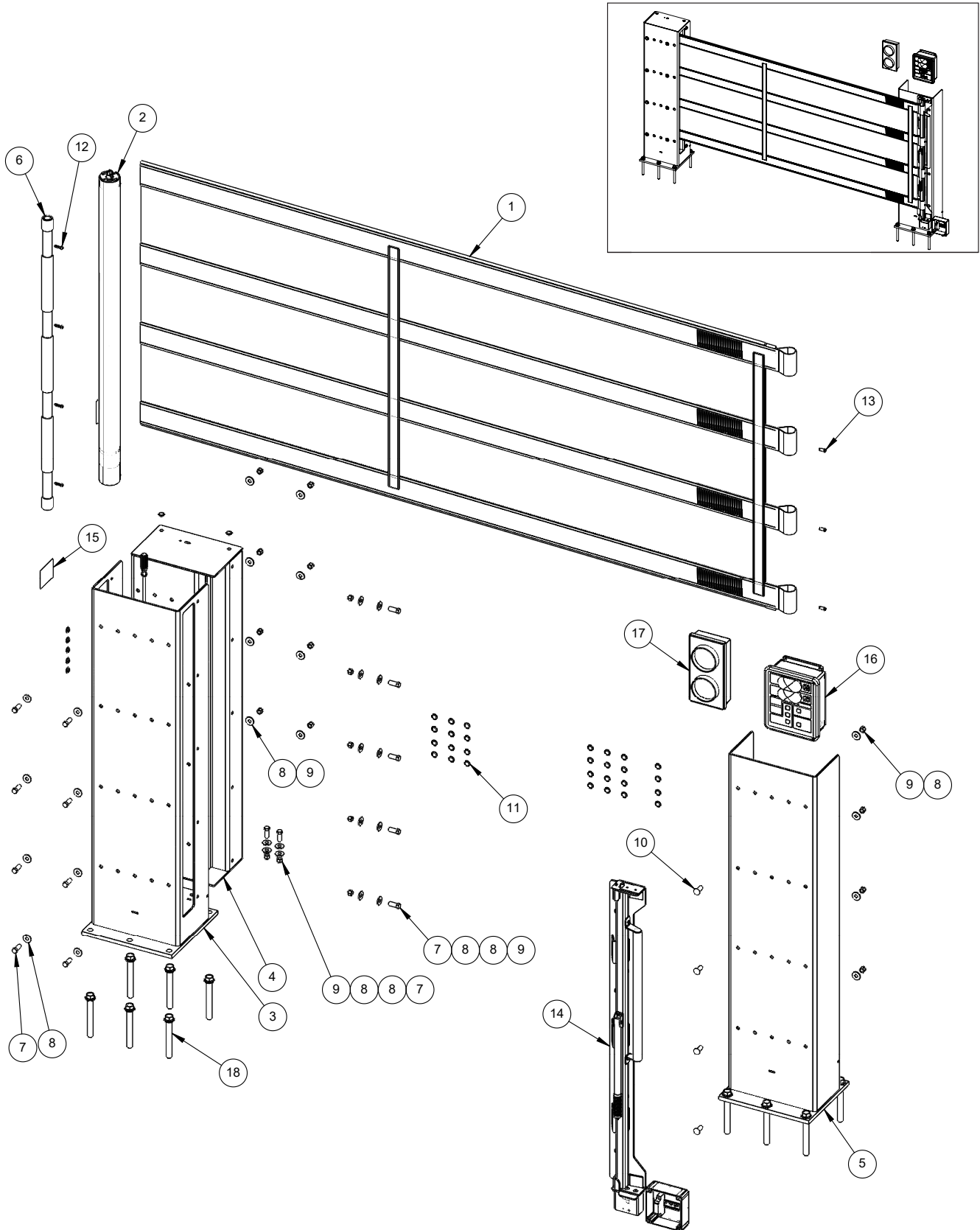
NOTICE

DO NOT wind the roller assembly more than 22 revolutions or damage to the torsion spring will occur.

5. While holding tension on the roller assembly, insert the screwdriver into the small hole on the top of the roller assembly and down into 1 of the 2 holes in the roller tube. Make sure the screwdriver is inserted securely before letting go of the roller tube.
6. Insert the back side of the curtain through the slot in the storage support warden and install the curtain on the roller tube with the touch and hold fastener. Center the curtain vertically. The reinforcement straps on the curtain should be visible from the inside of the Dok-Guardian.
7. With 1 person supporting the curtain, remove the screwdriver that is holding the spring tension. Allow the curtain to slowly and carefully roll around the roller until the pockets for the retaining bar touch the roller. Insert the screwdriver in the hole to hold tension on the spring assembly.
8. Insert the retaining bar into the pockets in the curtain. Center the retaining bar on the curtain vertically. Position the retaining bar to the backside of the pockets and self drill/tap screw through the curtain top and bottom strap into the retaining bar to hold the retaining bar securely attached to the curtain.
9. Remove the screwdriver and carefully allow the curtain to continue to roll up.

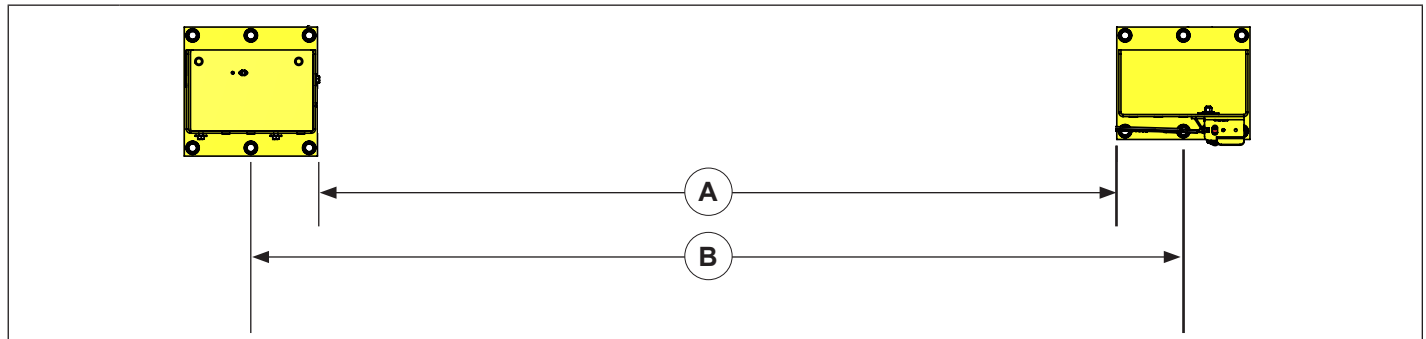
PARTS

DGHDXL



PARTS

DGHDXL *Continued*



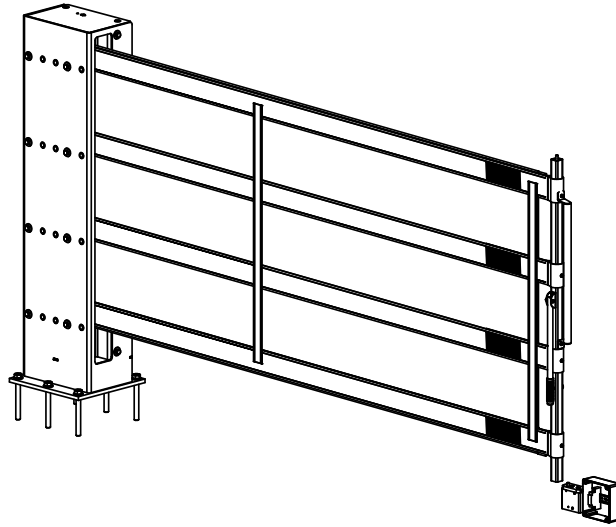
#	QTY	DESCRIPTION	(A) STAND ALONE UNIT CLEAR OPENING WIDTH	(B) COMMON MEMBER UNIT POST CENTERLINE WIDTH	PART #
1	1	CURT,XXL(XXXIN), DGHDXL			-
		CURT,3L(53IN),DGHDXL	2 ft 6 in to 3 ft 5 in	3 ft 10 in to 4 ft 9 in	28200190
		CURT,4L(65IN),DGHDXL	3 ft 6 in to 4 ft 5 in	4 ft 10 in to 5 ft 9 in	28200191
		CURT,5L(77IN),DGHDXL	4 ft 6 in to 5 ft 5 in	5 ft 10 in to 6 ft 9 in	28200192
		CURT,6L(89IN),DGHDXL	5 ft 6 in to 6 ft 5 in	6 ft 10 in to 7 ft 9 in	28200193
		CURT,7L(101IN),DGHDXL	6 ft 6 in to 7 ft 5 in	7 ft 10 in to 8 ft 9 in	28200194
		CURT,8L(113IN),DGHDXL	7 ft 6 in to 8 ft 5 in	8 ft 10 in to 9 ft 9 in	28200195
		CURT,9L(125IN),DGHDXL	8 ft 6 in to 9 ft 5 in	9 ft 10 in to 10 ft 9 in	28200196
		CURT,10L(137IN),DGHDXL	9 ft 6 in to 10 ft 5 in	10 ft 10 in to 11 ft 9 in	28200197
		CURT,11L(149IN),DGHDXL	10 ft 6 in to 11 ft 5 in	11 ft 10 in to 12 ft 9 in	28200198
		CURT,12L(161IN),DGHDXL	11 ft 6 in to 12 ft 5 in	12 ft 10 in to 13 ft 9 in	28200199
2	1	RLR,ASSY,DGXL			67200093
3	1	POST,WLDMNT,STORAGE,DGHDXL			-
4	1	SPRT,WLDMNT,RLR STORAGE,DGHDXL			-
5	1	POST,WLDMNT,RECEIVER,DGHDXL			-
6	1	BAR,WLDMNT,RETAIN,DGHDXL			-
7	15	SCR,HHMS,1/2-13X1-1/2,GR5,ZNC			-
8	34	WSHR,FLAT,1/2X1-3/8X7/64,ZNC			-
9	19	NUT,HEX,NYLCK,1/2-13,ZNC			-
10	4	BLT,CARG,1/2-13X1-1/2,Z5			-
11	35	PLUG,PLSTC,YLW,9/16			-
12	4	SCR,HWH,DR/TP,1/4-14X1-1/4			-
13	3	SCR,HWH,DR/TP,1/4-14X1			-
14	1	LATCH BAR,ASSEMBLY,DGHDXL			-
15	1	LABEL,BARRIER,DGHDXL			-
16	A/R	CBOX,DOK-GUARDIAN,LIGHT COMM			-
17	A/R	LIGHT,DOK LOK,ASSY,12/24V LED			-
18	12	ANCHOR,CONCRETE,HH,3/4X7,ZINC			-

PARTS

DGHDCMXL

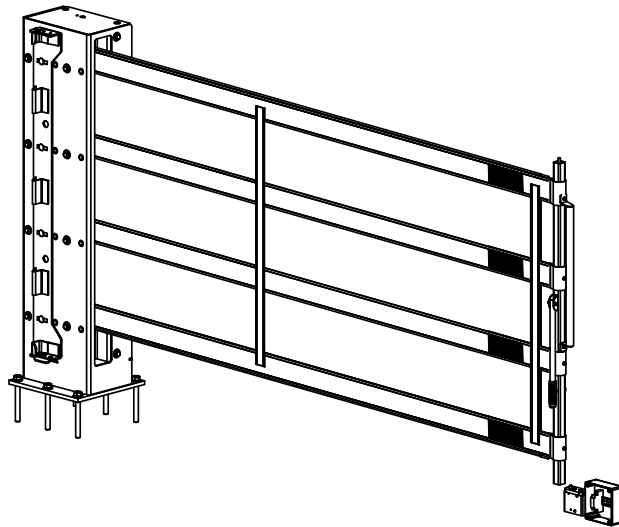
First Unit

- No Latch Plate
- 1 Storage Warden
- No Receiving Warden



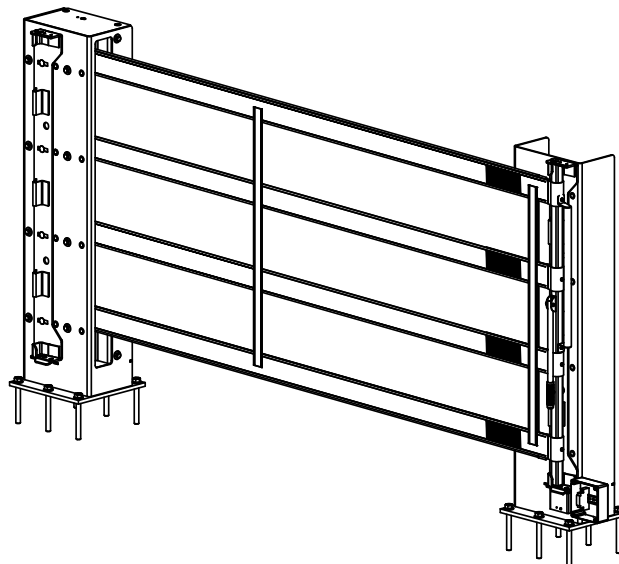
Middle Unit

- 1 Latch Plate
- 1 Storage Warden
- No Receiving Warden



End Unit



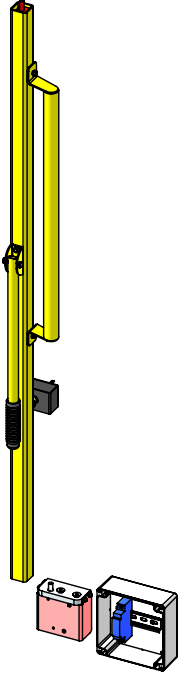

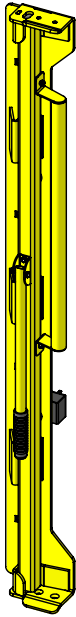
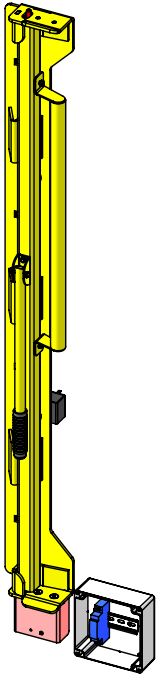
- 2 Latch Plates
- 1 Storage Warden
- 1 Receiver Warden



PARTS

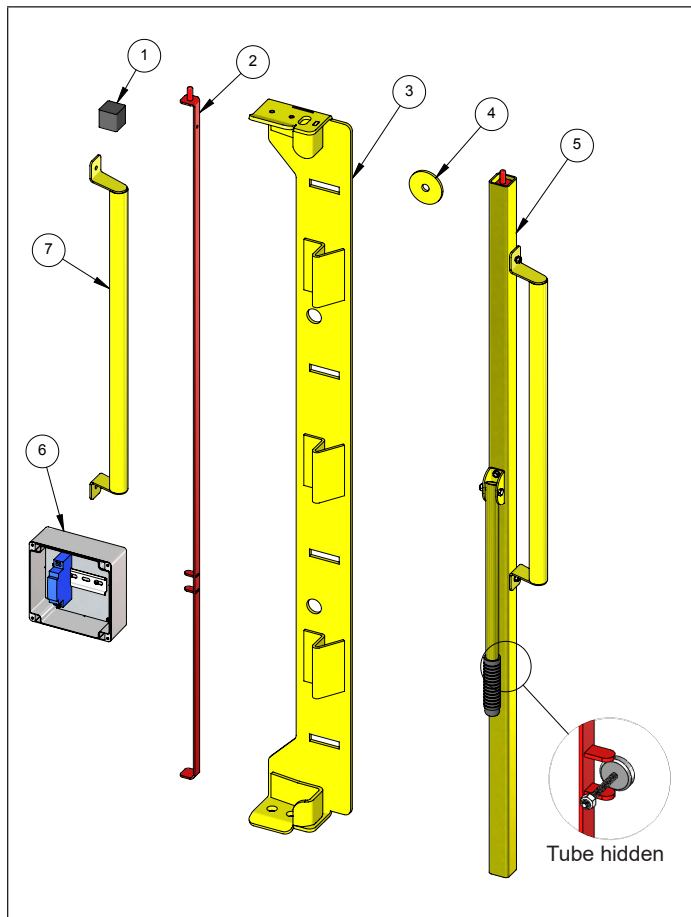
Interdeterrent, Interlock and Latch

1041

<p>XL, None, No Latch</p>  <p>A vertical yellow metal post with a horizontal arm extending from the upper section.</p>	<p>XL, Interdeterrent, No Latch</p>  <p>A vertical yellow metal post with a horizontal arm and a small black rectangular interdeterrent sensor mounted on the side.</p>	<p>XL, Interlock, No Latch</p>  <p>A vertical yellow metal post with a horizontal arm and a black rectangular interlock sensor mounted on the side. Below the post are two electrical components: a red terminal block and a blue interlock control box.</p>
<p>XL, None, HD Latch</p>  <p>A vertical yellow metal post with a horizontal arm and a heavy-duty latch mechanism at the bottom.</p>	<p>XL, Interdeterrent, HD Latch</p>  <p>A vertical yellow metal post with a horizontal arm, a heavy-duty latch mechanism at the bottom, and a small black rectangular interdeterrent sensor mounted on the side.</p>	<p>XL, Interlock, HD Latch</p>  <p>A vertical yellow metal post with a horizontal arm, a heavy-duty latch mechanism at the bottom, and a black rectangular interlock sensor mounted on the side. Below the post are two electrical components: a red terminal block and a blue interlock control box.</p>

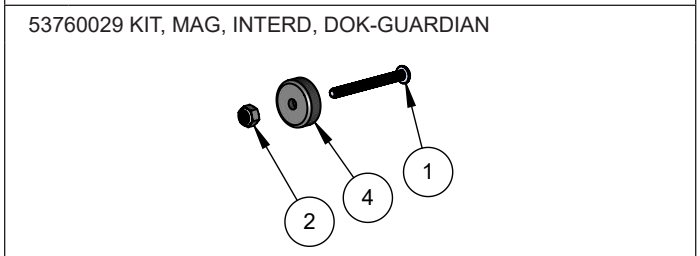
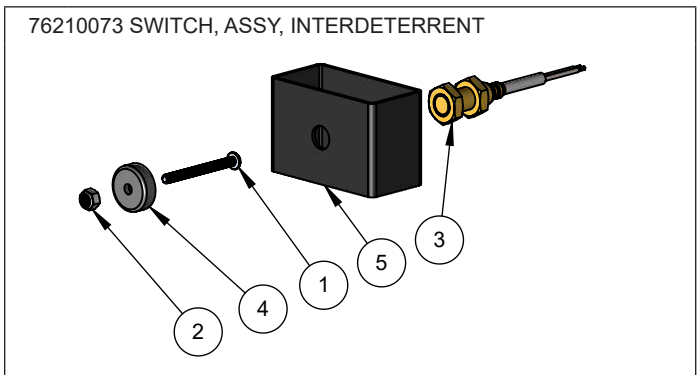
PARTS

Curtain Lead Bar and Latch



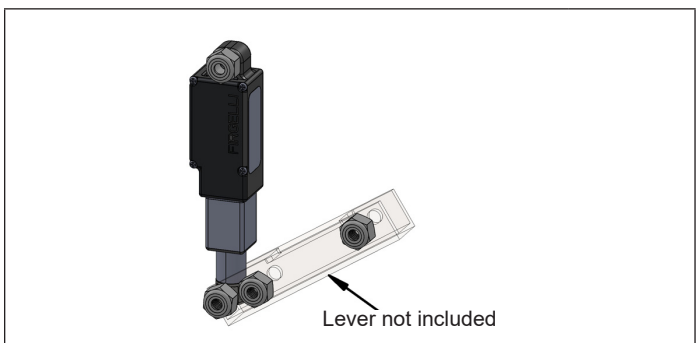
#	DESCRIPTION	PART #
1	PLUG,FOAM,BLK,1.375 SQ	65300027
2	PIN,WLDMNT,INTERLOCK,DGXL	64040041
3	LATCH,WLDMNT,RECEIVING,DGHDXL	54150045
4	PLATE,DISC,REINFORCEMENT,DGHD	65001017
5	BAR,ASSY,CRTN,INTRLK,XL	12420030
6	CBOX,ASY,DOCK GUARDIAN	17250202
7	HANDLE,WLDMNT,LEAD BAR,DGXL	51850063

Interdeterrent Switch



#	DESCRIPTION
1	SCR,RHMS,PHLP,#10-24 X2,SS
2	NUT,HEX,NYL LOCK,#10-24,ZNC
3	SW,MAG REED,NO,0.5A,2M
4	MAG,30LB,1OD,3/16HOLE,ZNC
5	HOUSING,SW,SENSOR,INTRDRNT,DG

Actuator

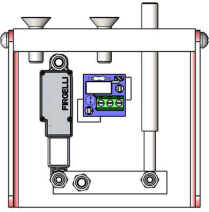


DESCRIPTION	PART #
ACTR, 12VDC, 10MM, 5MM/S,45N	10200024

PARTS

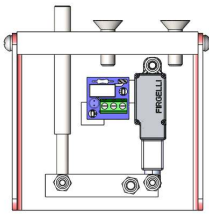
Interlock

11600018 ASSY, INTRLCK, SHRD, DG, 10MM, L2R



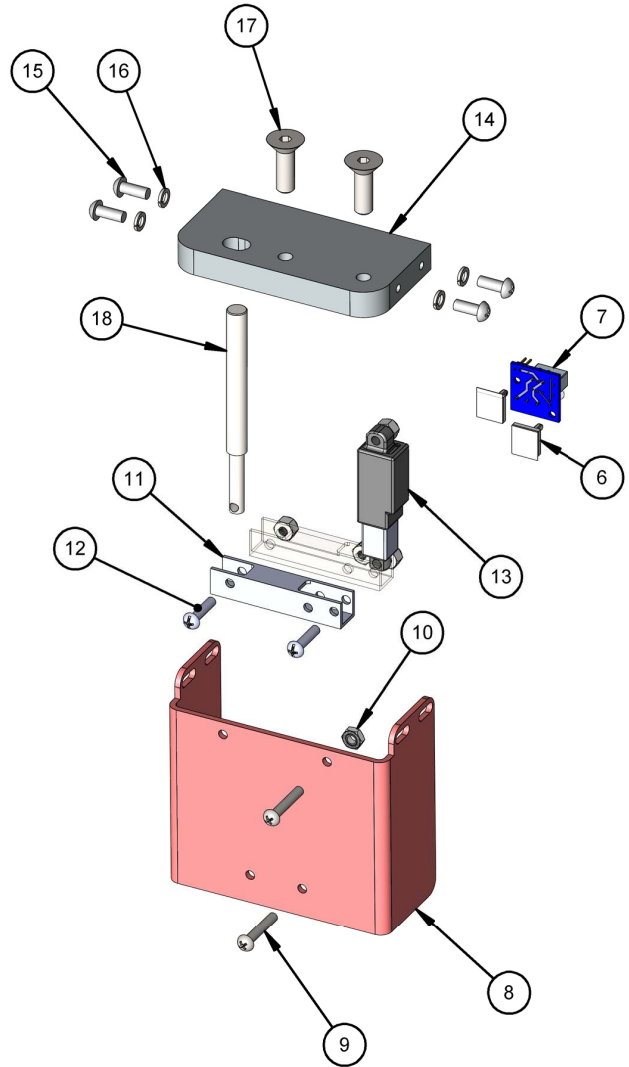
Left to right pull, back side.

11600022 ASSY, INTRLCK, SHRD, DG, 10MM, R2L



Right to left pull, back side.

#	QTY	DESCRIPTION
6	2	STANDOFF, NYLON, PCB, ADHSV, 1/4in
7	1	PCB, ACTUATOR, DOK-GUARDIAN
8	1	SHRD, SW, INTERLOCK, 10MM, DKGRDN
9	2	SCR, RHMS, PHLP, #8-32X1, ZNC
10	2	NUT, HEX, SERRATED, #8-32x1in, Z
11	1	LVR, LINKAGE, INTRLCK, DKGRDN
12	2	SCR, RHMS, PHLP, #8-32X3/4, ZNC
13	1	ACTR, 12VDC, 10MM, 5MM/S, 45N
14	1	PLATE, INTRLCK, MNT, 10MM, DKGRDN
15	1	SCR, RHMS, PHLP, #10-24X1/2, ZNC
16	4	WSHR, LOCK, SPLIT, #10, ZNC
17	4	SCR, FHMS, SCKT, 5/16-18X1
18	2	SHAFT, INTRLCK, STOP, 10MM, DKGRDN



Shown: Left to Right pull, front side, exploded

Rite-Hite Company, LLC and its affiliates (collectively "Rite-Hite") warrant that the Product sold to the Owner will be free of defects in design, materials and workmanship (ordinary wear and tear excepted) for the periods set forth below ("Limited Warranty").

One (1) Year(s) on all mechanical and electrical parts (non-prorated).
 One (1) Year(s) labor, based on Rite-Hite approved travel and labor repair times.

REMEDIES

Parts: Rite-Hite's obligations under this Limited Warranty are limited to repairing or replacing, at Rite-Hite's option, any part which is determined by Rite-Hite to be defective during the applicable warranty period. Such repair or replacement shall be Rite-Hite's sole obligation and the Owner's exclusive remedy under this Limited Warranty.

Labor: Rite-Hite will provide warranty service without charge for labor per the specified warranty period. Thereafter, a charge will apply to any repair or replacement under this Limited Warranty.

CLAIMS Claims under this Limited Warranty must be made (i) within 30 (thirty) days after discovery and (ii) prior to expiration of the applicable warranty period. Warranty period commences on the date of shipment. Claims shall be made in writing or by contacting the representative from whom the Product was purchased directly. Owner must allow Rite-Hite or its agent, a reasonable opportunity to inspect any Product claimed to be defective and shall, at Rite-Hite's option, either (x) grant Rite-Hite or its agent access to Owner's premises for the purpose of repairing or replacing the Product or (y) return of the Product to the Rite-Hite, F.O.B. Rite-Hite's factory.

NOT WARRANTED Rite-Hite does not warrant against and is not responsible for wear items such as fuses, batteries, bulbs, vision and seals. No implied warranty shall be deemed to cover damages that result directly or indirectly from: (i) the unauthorized modification or repair of the Product, (ii) damage due to misuse, neglect, accident, failure to provide necessary maintenance, or normal wear and tear of the Product, (iii) failure to follow Rite-Hite's instructions for installation, failure to operate the Product within the Product's rated capacities and/or specified design parameters, or failure to properly maintain the Product, (iv) use of the Product in a manner that is inconsistent with Rite-Hite's guidelines or local building codes, (v) movement, settling, distortion, or collapse of the ground, or of improvements to which the Products are affixed, (vi) fire, flood, earthquake, elements of nature or acts of God, riots, civil disorder, war, or any other cause beyond the reasonable control of Rite-Hite, (vii) improper handling, storage, abuse, or neglect of the Product by Owner or by any third party.

DISCLAIMERS THIS LIMITED WARRANTY IS EXCLUSIVE AND IN LIEU OF ALL OTHER REPRESENTATIONS AND WARRANTIES, EXPRESS OR IMPLIED, AND RITE-HITE EXPRESSLY DISCLAIMS AND EXCLUDES ANY IMPLIED WARRANTIES OF MERCHANTABILITY OR FITNESS FOR PURPOSE. RITE-HITE SHALL NOT BE SUBJECT TO ANY OTHER OBLIGATIONS OR LIABILITIES, WHETHER ARISING OUT OF BREACH OF CONTRACT, WARRANTY, TORT (INCLUDING NEGLIGENCE AND STRICT LIABILITY) OR OTHER THEORIES OF LAW, WITH RESPECT TO THE PRODUCTS SOLD OR SERVICES RENDERED BY RITE-HITE, OR ANY UNDERTAKINGS, ACTS, OR OMISSIONS RELATING THERETO.

LIMITATION OF LIABILITY IN NO EVENT SHALL RITE-HITE BE RESPONSIBLE FOR, OR LIABLE TO ANYONE FOR, SPECIAL, INDIRECT, COLLATERAL, PUNITIVE, INCIDENTAL, OR CONSEQUENTIAL DAMAGES, EVEN IF RITE-HITE HAS BEEN ADVISED OF THE POSSIBILITY OF SUCH DAMAGES. Such excluded damages include, but are not limited to, personal injury, damage to property, loss of goodwill, loss of profits, loss of use, cost of cover with any substitute product, interruption of business, or other similar indirect financial loss.

170714

GLOBAL SALES AND SERVICE *Representatives in All Major Cities*

RITE-HITE WORLD HEADQUARTERS

195 S. Rite-Hite Way
 Milwaukee, WI 53204-1195
 USA

☎ 414-355-2600
 USA Only: 1-800-456-0600

RITE-HITE CHINA

First Floor, Building #3,
 558 Tongxie Road,
 Changning District
 Shanghai 200335, China

☎ +86-21-6237-6333

RITE-HITE LATIN AMERICA

Alameda Lorena 800, conj. 1310
 - Jardim Paulista
 São Paulo-SP, CEP 01424-001
 - Brazil

☎ +55-11-3527-9590

RITE-HITE GMBH

Carl-Zeiss-Strasse 3
 34471 Volkmarsen, Germany

☎ +49-5693 98700