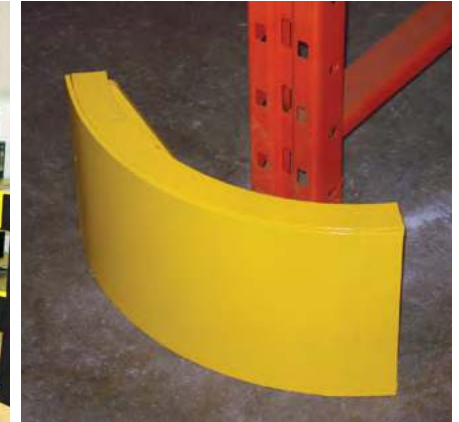


# Sure-Stop™ Barrier System

Low profile barrier provides protection against material handling vehicle impacts.



## Separation means protection in your plant

Your plant can be a dangerous place. When it comes to protection, a yellow line painted on the floor just doesn't cut it.

The innovative Sure-Stop Barrier System is a smarter protection system when it is critical to have a barrier that stops fork truck accidents. The gusseted Sure-Stop can stop a fork truck with little or no deflection. It can be used as a stand-alone barrier or it can be incorporated into custom installation with other barrier systems, creating a highly visible barrier for pedestrians and material handling equipment.

## Modular design

- » 18" (455 mm), 24" (610 mm), 36" (915 mm), 48" (1220 mm), or 60" (1525 mm) lengths
- » 3/4" x 7" (19 mm x 178 mm) concrete anchors provided
- » Easy to install

## Solid performance

- » 8" (205 mm) high, 3/16" (4.8 mm) thick steel withstands an impact of up to 29,800 lbs (13545 kg). Consult the Sure-Stop BLAST Impact Rating Chart for complete weight and speed ratings
- » 3/8" (9.5 mm) gussets support the steel plate and provide durability and strength
- » Safety yellow powder coated paint provide high visibility
- » Highest value for many difficult applications
- » Unique solutions for protection problems

# Specifications/Survey

Date \_\_\_\_\_

Company Name \_\_\_\_\_

Address \_\_\_\_\_

City \_\_\_\_\_

State \_\_\_\_\_ Zip Code \_\_\_\_\_

Representative \_\_\_\_\_

Salesperson \_\_\_\_\_

Quantity: \_\_\_\_\_ Signature: \_\_\_\_\_

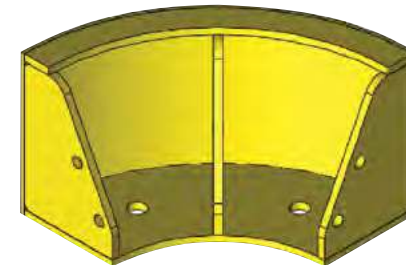
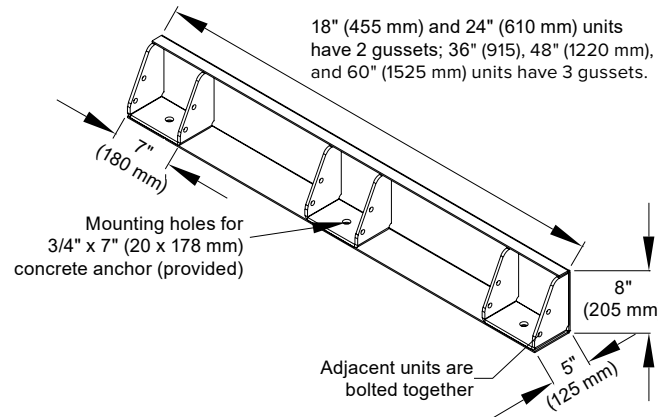
## BLAST Impact Rating Chart - Sure-Stop

		Weight (lbs)											
		5000	7000	9000	10000	12000	13500	15000	17000	20000	22000	30000	
		Mass (kg)											
		2268	3175	4082	4536	5443	6123	6804	7711	9072	9979	13608	
MPH	Ft/sec	M/sec	Kinetic Energy KE (Joules)										
2.0	2.9	0.89	906	1269	1632	1813	2176	2447	2719	3082	3626	3989	5439
2.5	3.7	1.12	1416	1983	2549	2833	3399	3824	4249	4816	5666	6232	8498
3.0	4.4	1.34	2040	2855	3671	4079	4895	5507	6119	6935	8158	8974	12237
3.5	5.1	1.56	2776	3887	4997	5552	6663	7495	8328	9439	11104	12215	16657
4.0	5.9	1.79	3626	5076	6527	7252	8702	9790	10878	12328	14504	15954	21756
4.5	6.6	2.01	4589	6425	8260	9178	11014	12390	13767	15603	18356	20192	27534
5.0	7.3	2.24	5666	7932	10198	11331	13597	15297	16997	19263	22662	24928	33993
5.5	8.1	2.46	6855	9597	12339	13711	16453	18509	20566	23308	27421	30163	41132
6.0	8.8	2.68	8158	11422	14685	16317	19580	22027	24475	27733	32133	35837	48950
6.5	9.5	2.91	9575	13405	17234	19149	22979	25852	28724	32534	38200	42129	57148
7.0	10.3	3.13	11104	15546	19988	22209	26651	29982	33313	37755	44418	48859	66626

- Will absorb multiple impacts at this level with minimal damage. (11104 Joules maximum)
- Will absorb an impact, may sustain damage. (16997 Joules maximum)
- Will not absorb an impact of this level.

\* The Barrier Load And Speed Test (BLAST) chart expresses an impact rating in terms of kinetic energy. Consult [The Science of Safety](#) white paper for a complete explanation of the information contained within this chart.

QTY	Part No.	Length
_____	72640006	18" (455 mm)
_____	72640008	24" (610 mm)
_____	72640010	36" (915 mm)
_____	72640012	48" (1220 mm)
_____	72640014	60" (1525 mm)
_____	72640016	Curved
_____	72640004	90 Degree Corner



Sure-Stop Curve



Sure-Stop 90 Degree



10SURISGSS0924AMEN01

Milwaukee, Wisconsin, USA

[www.ritehite.com](http://www.ritehite.com)

P 414-355-2600 (800-456-0600)

F 414-355-9248

Rite-Hite® and Sure-Stop™ are trademarks of Rite-Hite Holding Corporation. Rite-Hite products may be covered by one or more U.S. Patents with other U.S. and foreign patents pending. Patent coverage: [www.ritehite.com/patents](http://www.ritehite.com/patents). The information herein is provided as a general reference only regarding the use of the applicable products. The specifications stated here are subject to change. Manufactured by Rite-Hite Engineered Solutions Group, Inc.