

4

3

2

1

NEXT ASSEMBLY	FINAL ASSEMBLY
FINAL	FINAL

APPROVED YES NO

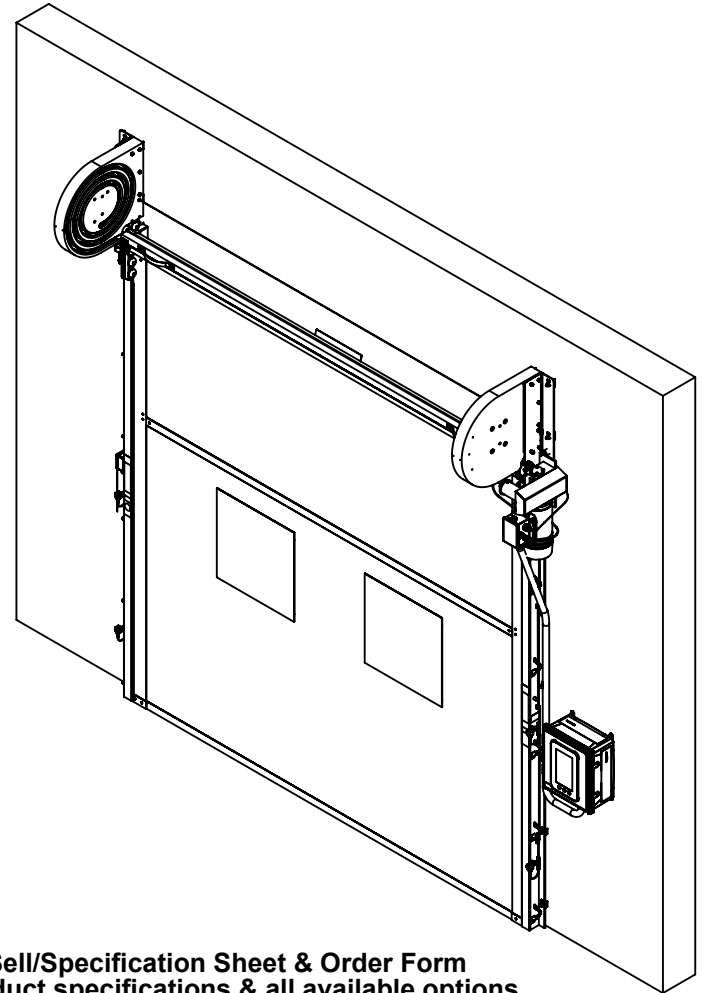
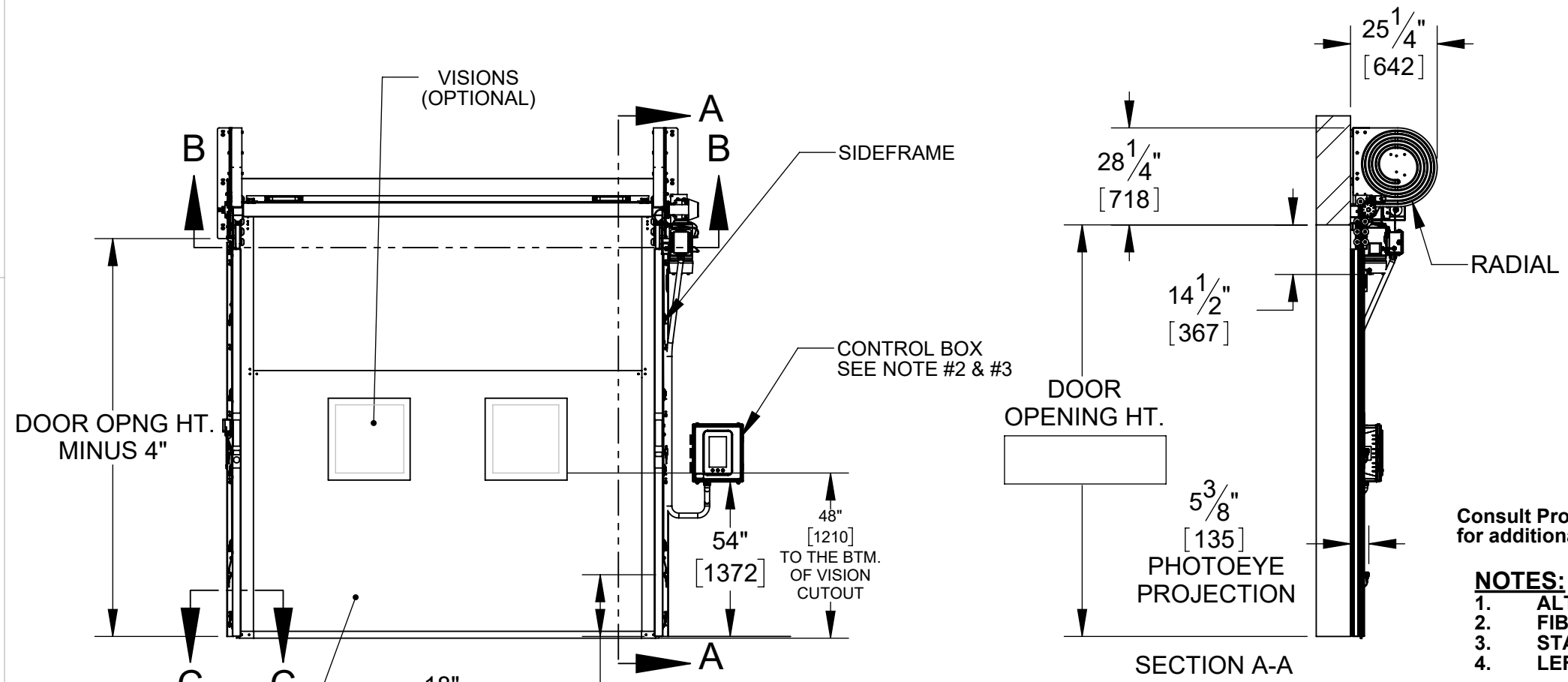
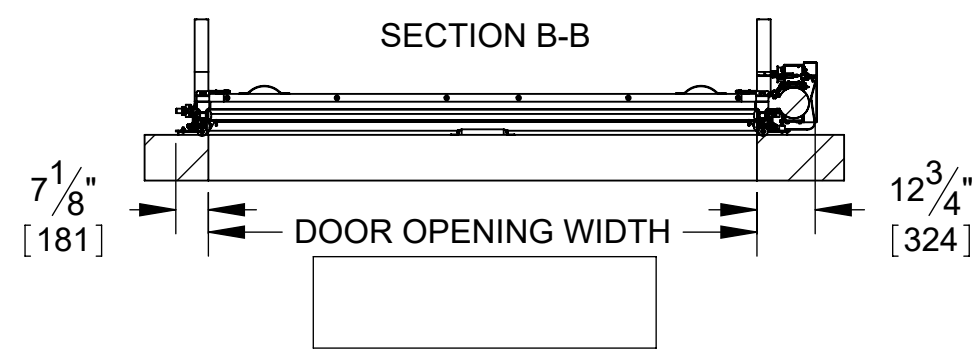
Approved By: _____

Date: _____

REVISION HISTORY				
REV.	DATE	DESCRIPTION	ECN	BY
H	2/13/2018	CHG VISION TO SHOW AS OPTIONAL	7463	RJK
J	5/9/2024	ADDED GUI SPACERS	10018	QWM
K	5/10/2024	ICOMM4 RELEASE	10859	CRK

B

B

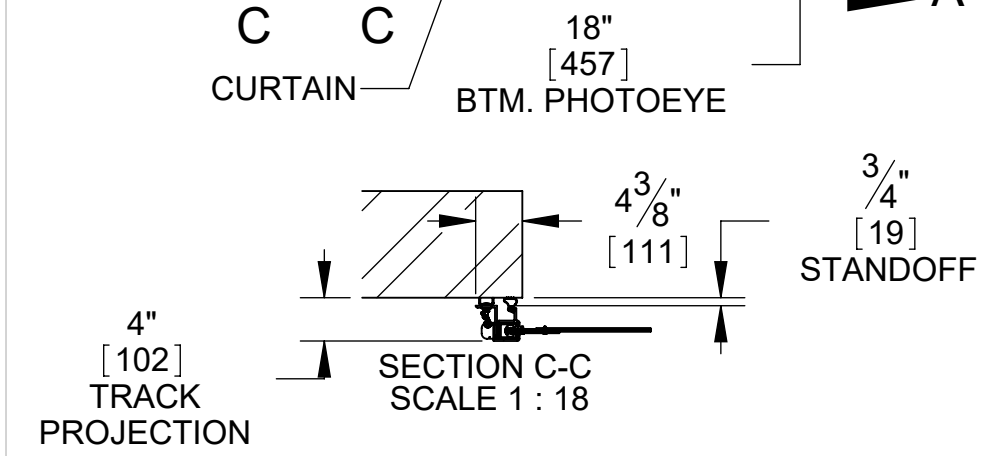


Consult Product Sell/Specification Sheet & Order Form for additional product specifications & all available options.

- NOTES:**
1. ALTERNATE DIMENSIONS IN BRACKETS ARE IN MILLIMETERS.
 2. FIBERGLASS CNTRL BOX (std.) 14" [356] x 16" [406] x 8" [203].
 3. STAINLESS CNTRL BOX (opt.) 16" [406] x 19" [483] x 8" [203].
 4. LEFT HAND DRIVE DRAWING IS 7826A047.

A

A



FINISH		MATERIAL	
CONFIDENTIAL		DRAWN BY CDH	
UNLESS OTHERWISE SPECIFIED DIMENSIONS ARE IN INCHES.		DRAWN DATE 07-16-2009	
TOLERANCES:		INITIAL ECN 5886	
.X = ±.050		DATE ISSUED 9/28/2016	
.XX = ±.010		REFERENCE	
.XXX = ±.005		ALL SHEETS ARE THE SAME REVISION STATUS	
ANGLE = ±1.0°		DO NOT SCALE DRAWING	
THIRD ANGLE PROJECTION		TITLE RITE HITE DOORS ARCHITECTURAL APPROVAL FASTRAX-CL, RADIAL, RIGHT HAND DRIVE	
© 2017 RITE-HITE® DOORS INC.		SIZE MODEL DWG NO REV	
		B FASTRAX-CL 7826A045 K	
		SCALE 1:42 PART# - SHEET 1 OF 1	

4

3

2

1