

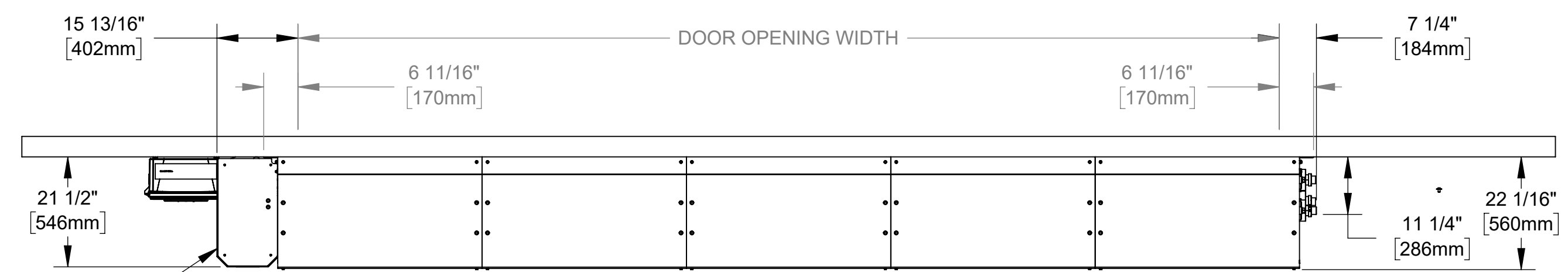
REVISION HISTORY				
REV.	DATE	NOTE	ECN	BY
-	5/16/2024	RELEASE	10444	SHC
A	5/16/2024	ICOMM4 RELEASE	10859	QWM

APPROVED YES NO AS MARKED

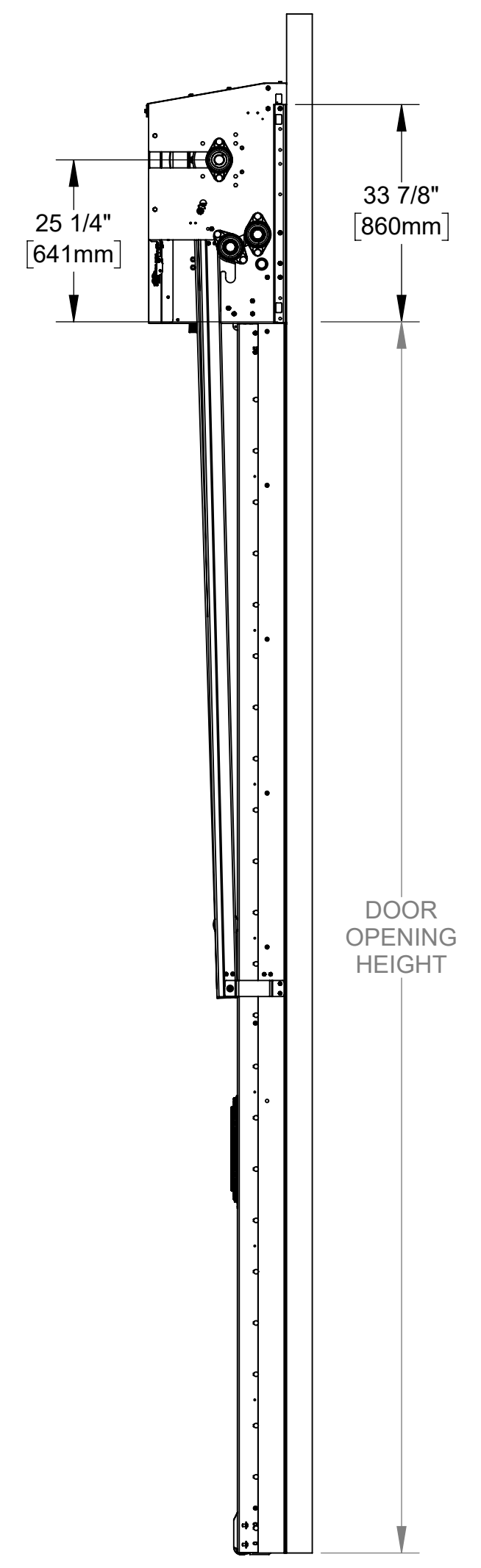
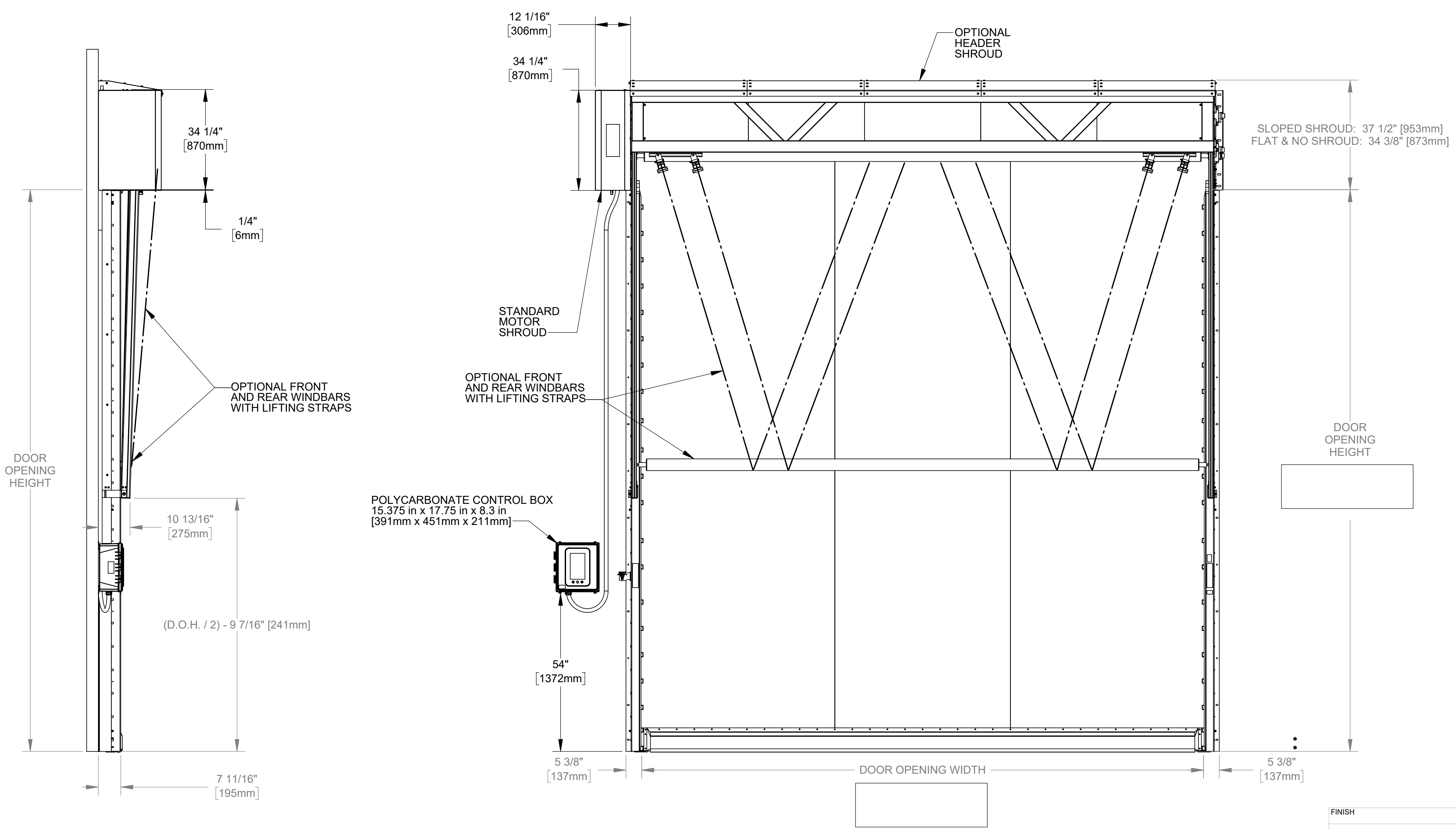
APPROVED BY: _____

DATE: _____

ADDITIONAL VERTICAL CLEARANCE REQUIRED FOR INSTALLATION EQUIPMENT



SIDE INSTALLATION CLEARANCE:
 ADDITIONAL 4 1/8" [103mm] ON DRIVE SIDE
 FOR INTSTALLATION OF MOTOR ASSEMBLY



**CONSULT PRODUCT SELL / SPECIFICATION SHEET AND ORDER FORM
 FOR ADDITIONAL PRODUCT SPECIFICATIONS AND ALL AVAILABLE OPTIONS**

FINISH		MATERIAL		DRAWN BY SHC	
UNLESS OTHERWISE SPECIFIED DIMENSIONS ARE IN INCHES.		DRAWN DATE 04/18/2022		DATE ISSUED 7/18/2022	
TOLERANCES:		INITIAL ECN 10444		TITLE RAPTOR MAX ARCHITECTURAL APPROVAL DRAWING LEFT HAND DRIVE	
X = ±.050		DATE ISSUED 7/18/2022		SIZE MODEL D RAPMAX DWG NO 9812A002	
XX = ±.010		REFERENCE ALL SHEETS ARE THE SAME REVISION STATUS		SCALE 1:22 PART# - SHEET 1 OF 1	
XXX = ±.005		THIRD ANGLE PROJECTION		REV A	
ANGLE = ±1.0°		DO NOT SCALE DRAWING			
© 2010 RITE-HITE® DOORS INC.					