

NOTICE TO USER 2

SAFETY 2

COMPONENTS 3

INSTALLATION

Preparation 4

Stabilizer Guide Bracket/Positioning Handles 4

Communication Flag (OPTIONAL) 4

OPERATION

Position TS-5000 5

Remove TS-5000 5

Trailer Height Adjustment 6

MAINTENANCE 6

PARTS

TS-5000 7

Carriage Assembly 8

Communication Flag (OPTIONAL) 8

WARRANTY 12

NOTICE TO USER

Thank you for purchasing a Rite-Hite® product.

The TS-5000 Trailer Stabilizer is a heavy duty trailer support that provides additional safety to a parked trailer resting on its landing gear.

Capacity: 140,000 lbs (63500 kg)

The English version of this manual shall prevail over any error in, or conflicting interpretation of, any translations.

Read, understand and save this manual prior to installation or operation of this equipment.

Rite-Hite reserves the right to substitute and/or modify parts and drawings. If separate prints are included with the unit, they supersede those contained in the manual.

For best results, have this product serviced by an authorized Rite-Hite Representative.

A Planned Maintenance Program (P.M.P.), customized to your specific operation is available and recommended. For a P.M.P., contact your local Rite-Hite representative or Rite-Hite technical support at (U.S.) 888-456-3625, (S.A.) +55 21 99616 4421.

Manufactured by Rite-Hite Engineered Solutions Group, Inc.

SAFETY

Safety Identifications

DANGER

Indicates a hazardous situation which, if not avoided, will result in death or serious injury.

Indique une situation dangereuse qui, si elle n'est pas évitée, peut entraîner la mort ou de graves blessures.

WARNING/AVERTISSEMENT

Indicates a hazardous situation which, if not avoided, could result in death or serious injury.

Indique une situation dangereuse qui, si elle n'est pas évitée, peut entraîner la mort ou des blessures graves.

CAUTION/ATTENTION

Indicates a hazardous situation which, if not avoided, could result in minor or moderate injury.

Indique une situation dangereuse qui, si elle n'est pas évitée, peut entraîner des blessures légères à modérées.

NOTICE

Indicates a situation which can cause damage to the equipment, personal property and/or the environment, or cause the equipment to operate improperly.

NOTE: A note is used to inform you of important installation, operation, or maintenance information.

SAFETY

General

⚠ WARNING/AVERTISSEMENT

Cancer and Reproductive Harm
www.P65Warnings.ca.gov

Canver al problèmes du système de reproduction
www.P65Warnings.ca.gov

⚠ CAUTION/ATTENTION

Secure the TS-5000 Trailer Stabilizer at all times. Hold and control the unit with the stabilizer guide brackets/positioning handles or by lowering the stabilizer jack pads to avoid the unit rolling away.

Sécuriser le Trailer Stabilizer TS-5000 en tout temps. Maintenir et contrôler l'appareil à l'aide des supports de guidage du stabilisateur/poignées de positionnement ou en abaissant les patins du vérin du stabilisateur pour éviter que l'appareil ne s'éloigne.

COMPONENTS

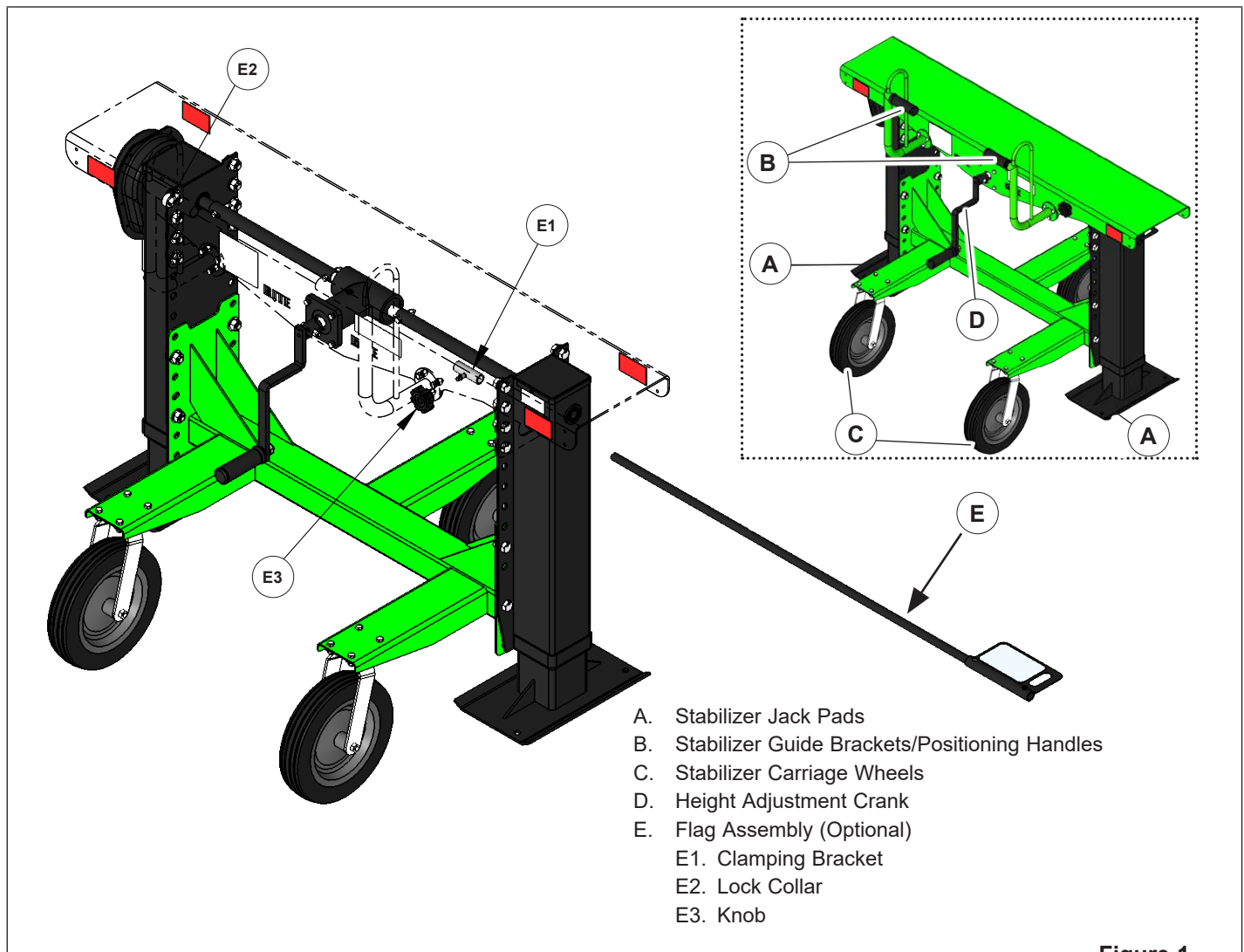


Figure 1

INSTALLATION

Preparation

Before assembling, verify all components were received. Notify your authorized Rite-Hite representative if parts are missing or damaged.

The TS-5000 is shipped with the right/left handles in a separate box. Fastening hardware is supplied:

6	3/8 in x 1 in Hex Head Bolts
6	3/8 in Nylon Locknuts

Required Tools

2	9/16 in Wrenches
---	------------------

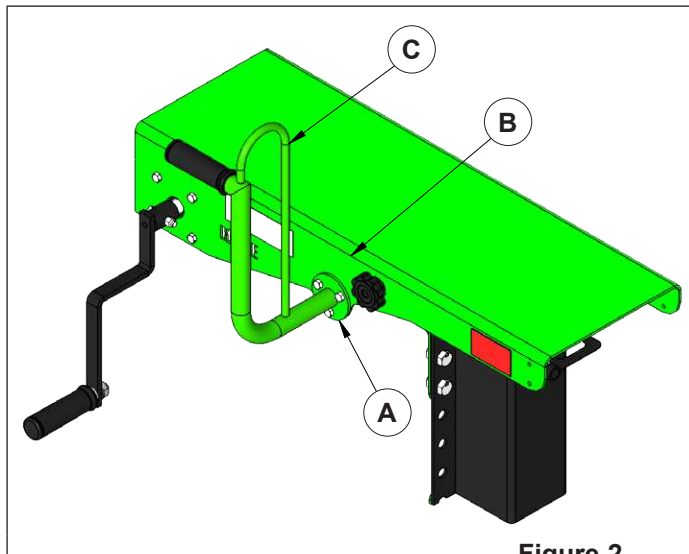


Figure 2

Stabilizer Guide Bracket/Positioning Handles

1. Align holes on handle flange (A) with holes in the top plate (B). Place stabilizer guide bracket/positioning handle (C) perpendicular to the top plate.
2. Insert 3/8 in x 1 in bolts through the holes, threading the nuts on the inside of the top plate (B).
3. Use 9/16 in wrenches to tighten bolts until handle is firmly in place.
4. Repeat for the 2nd stabilizer guide bracket/positioning handle (not shown).

Communication Flag (OPTIONAL)

Required Tools

1	5/16 in Allen Wrench for Lock Collar
---	--------------------------------------

See [\(Figure 1\)](#).

1. Insert flag (E) into unit and through the clamping bracket (E1) and the lock collar (E2). Tighten lock collar set screw.
2. Attach knob (E3) to clamping bracket (E1).

OPERATION

WARNING/AVERTISSEMENT

DO NOT put arms or hands between the trailer and the TS-5000 Trailer Stabilizer.

NE PAS mettre les bras ou les mains entre la remorque et le TS-5000 Trailer Stabilizer.

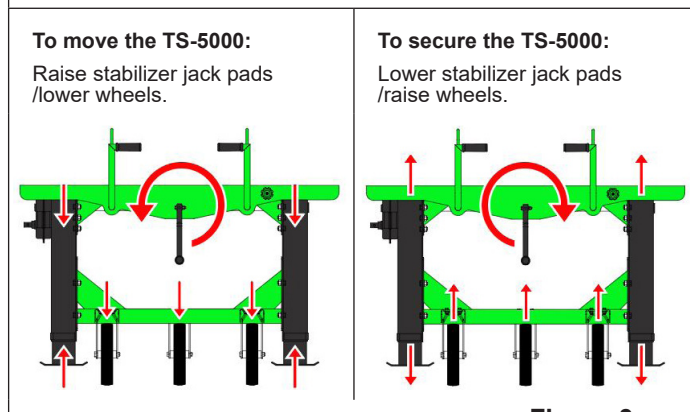
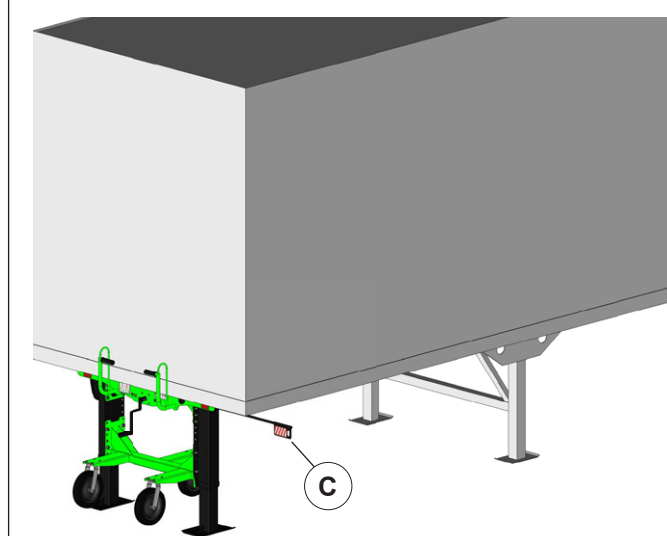
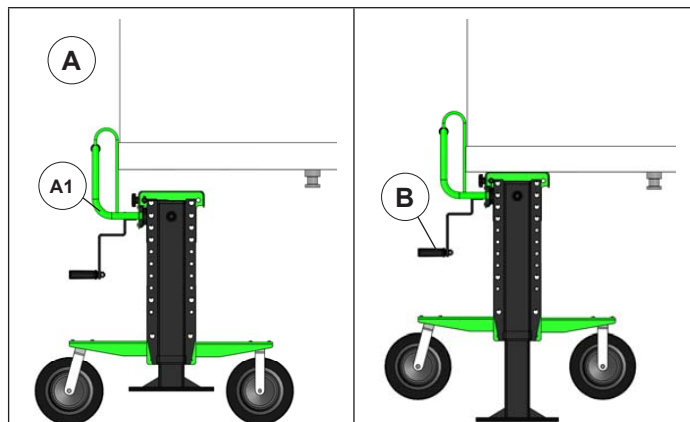


Figure 3

Position TS-5000

1. Confirm vehicle restraint and/or wheel chocks (supplied by others) are securely in position.
2. Adjust height of trailer's landing gear, if necessary. Trailer must be horizontal.
3. Roll TS-5000 into position (A).
 - It must fit centered underneath the nose of the trailer without any interference.
 - The stabilizer guide brackets (A1) should be flush against the trailer front edge.
4. Turn height adjustment crank (B) clockwise so that the TS-5000 is against the underside of the trailer's nose.
 - The stabilizer carriage wheels must be off the ground a minimum of 1/2 in (13 mm).
 - The stabilizer jack pads should firmly touch the ground.
5. If equipped, extend communication flag (C) by loosening the knob and re-tightening.

Remove TS-5000

1. Tractor should stand-by to be coupled with trailer.
2. Confirm:
 - Vehicle restraint and/or wheel chocks are securely in position.
 - Trailer's landing gear is firmly touching the ground.
3. If equipped, retract communication flag.
4. Turn height adjustment crank counter clockwise to crank down the TS-5000 to allow it to roll out.

NOTE: If TS-5000 is too tight against the trailer to roll out (without jerking). Remove weight from the unit by cranking up legs of trailer so the TS-5000 can be removed smoothly.
5. Remove TS-5000. When not in use, the TS-5000 must be secured by lowering the stabilizer jack pads.
6. Allow tractor to connect with trailer.
7. Disengage any vehicle restraints or wheel chocks.
8. Inspect, clean and store the TS-5000.

OPERATION

Trailer Height Adjustment

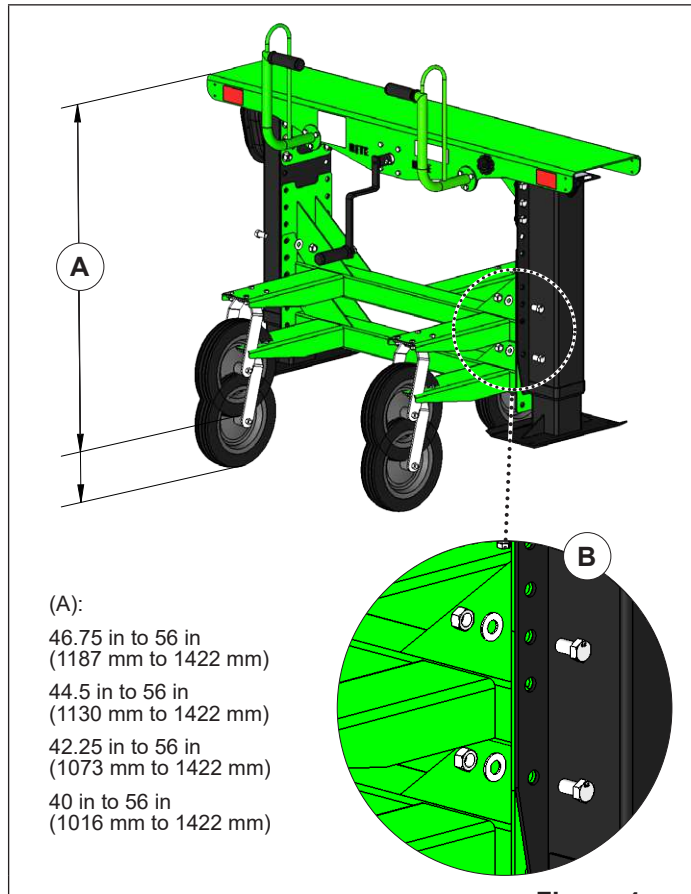


Figure 4

Required Tools

24 mm Wrench
24 mm Socket with Ratchet or Impact Driver

The working range of the TS-5000 can be field adjusted to fit under shorter trailers, or raised for taller trailers.

Select the tallest working range (A) to accommodate most trailers and minimize crank turns needed for snug placement and removal from under the trailer.

To adjust carriage position for different trailer heights:

1. Crank stabilizer jack pads down to ground removing weight from carriage wheels.
2. Loosen and remove 4 carriage attachment bolts and nuts (B).
3. Lower or raise stabilizer height to 1 of 4 positions by cranking. Reinsert and tighten 4 bolts and nuts into the same stabilizer jack holes they were removed from.

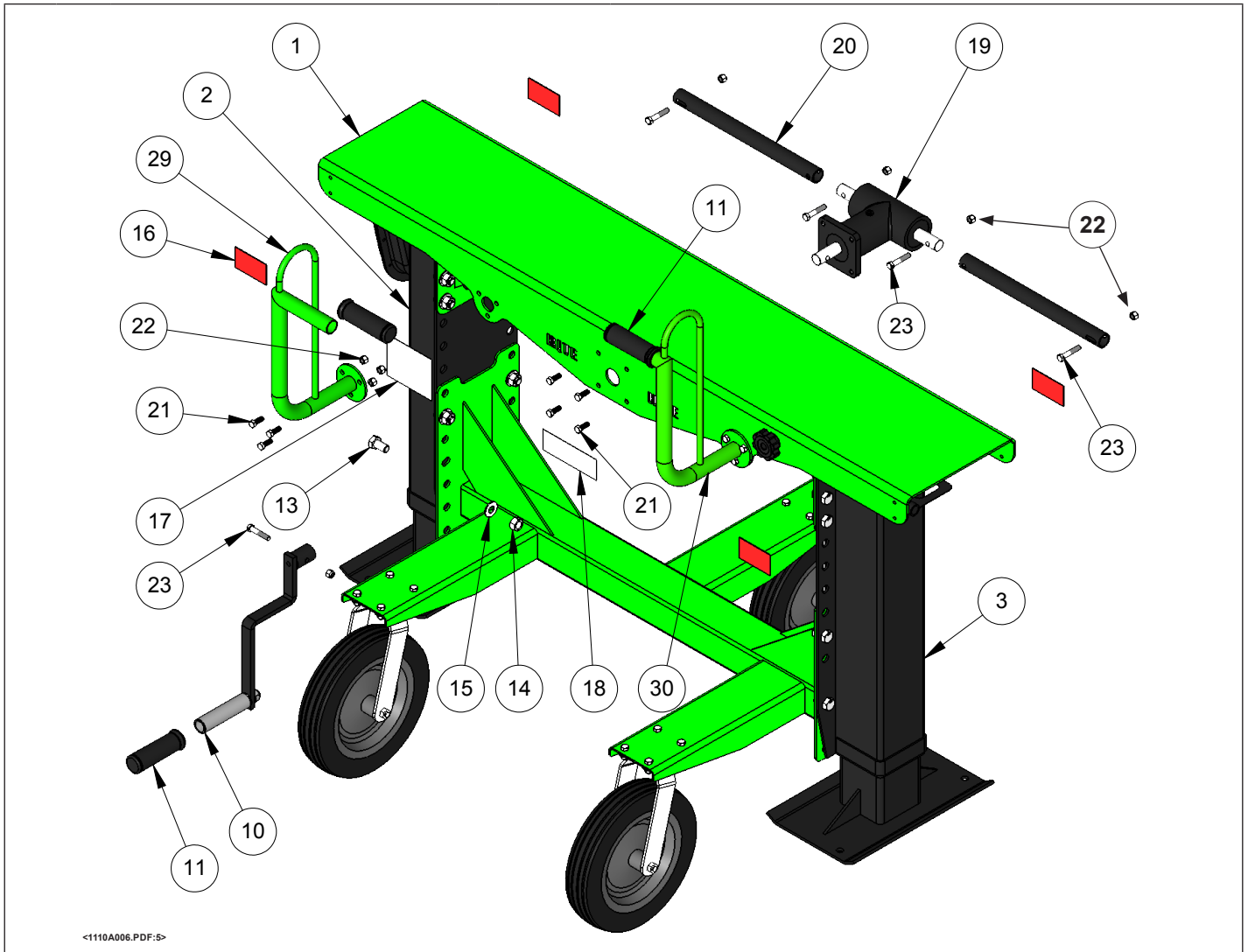
MAINTENANCE

Before each use:

INSPECT	REMEDY
Bent parts (e.g. handles, top cover, or height adjustment crank)	Replace broken or bent parts.
Welds for breaks	
Wheels for wear	
TS-5000 is able to move and operate freely.	Grease wheels and jacks every 6 months.
	If the unit will not raise and lower freely, contact your authorized Rite-Hite Service Representative.

PARTS

TS-5000

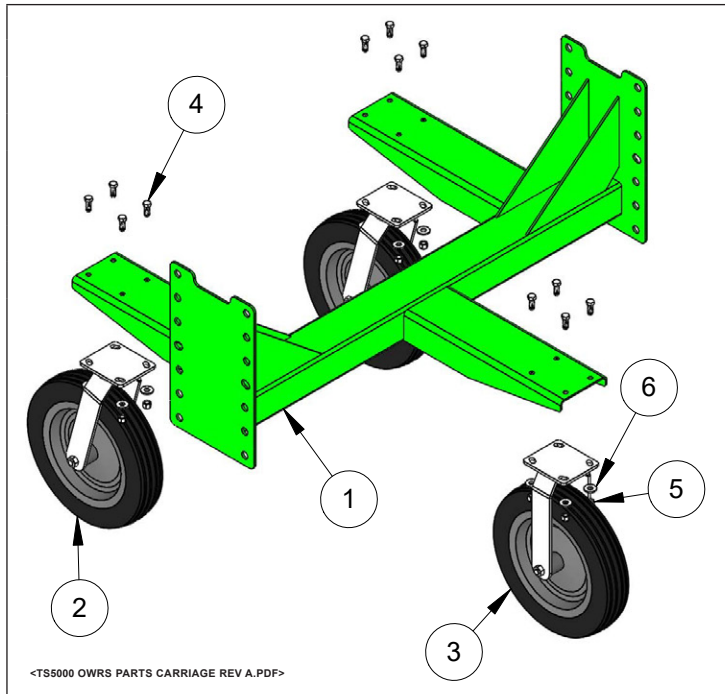


<1110A006.PDF:5>

#	QTY	DESCRIPTION	PART #
1	1	PLATE,WELDMENT,TOP,TS5000	65000968
2	1	JACK,DRIVE,TS5000	53390001
3	1	JACK,DRIVEN,TS5000	53390002
10	1	CRANK,ASSY,TS5000	19600006
11	3	GRIP,PVC, BLK	55150364
13	24	SCR,HHMS,M16-2X30, CLASS8.8,ZNC	—
14	24	NUT,HEX,M16-2,CLASS 8,ZNC	—
15	24	WSHR,FLAT,5/8,SAE,ZNC	—
16	4	LABEL,REFLECTOR, RED,2INX3.5IN	—
17	1	LABEL,INSTRUCTION,TS5000	—
18	1	LABEL,PRODUCT,TS5000	—
19	1	GRBX,3WAY,1:25MM	51250054
20	2	TUBE,DRIVE,JACKS,TS5000	73870083
21	10	SCR,HHMS,3/8-16X1,ZNC	—
22	11	NUT,HEX,NYLCK,3/8-16,Z5	—
23	5	SCR,HHMS,3/8-16X2,Z5	—
29	1	HANDLE,LEFT,FLANGED,TS5000	51850062
30	1	HANDLE,RIGHT,FLANGED,TS5000	51850061

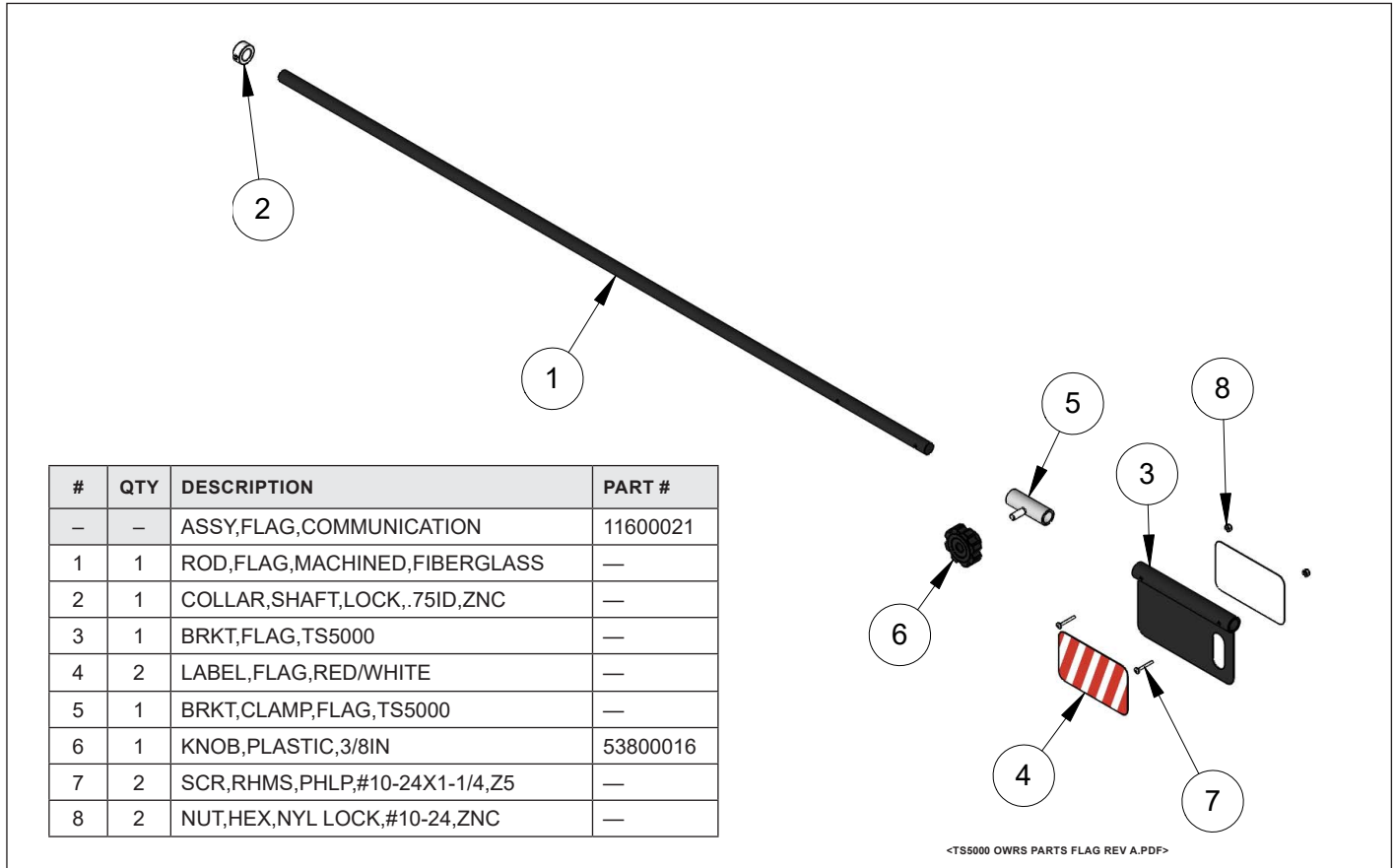
PARTS

Carriage Assembly



#	QTY	DESCRIPTION	PART #
-	-	CARRIAGE, ASSY,TS5000	55150362
1	1	CARRIAGE,WELDMNT,TS5000	55150363
2	2	WHEEL,ASSY,13IN,SWVL,TS5000	75550022
3	1	WHEEL,ASSY,13IN,FIXED,TS5000	75550021
4	12	SCR,HHMS,3/8-16X1,ZNC	—
5	12	NUT,HEX,NYLCK,3/8-16,Z5	—
6	12	WSHR,FLAT,3/8X1X.063,ZNC	—

Communication Flag (OPTIONAL)



#	QTY	DESCRIPTION	PART #
-	-	ASSY,FLAG,COMMUNICATION	11600021
1	1	ROD,FLAG,MACHINED,FIBERGLASS	—
2	1	COLLAR,SHAFT,LOCK,.75ID,ZNC	—
3	1	BRKT,FLAG,TS5000	—
4	2	LABEL,FLAG,RED/WHITE	—
5	1	BRKT,CLAMP,FLAG,TS5000	—
6	1	KNOB,PLASTIC,3/8IN	53800016
7	2	SCR,RHMS,PHLP,#10-24X1-1/4,Z5	—
8	2	NUT,HEX,NYL LOCK,#10-24,ZNC	—

Rite-Hite Company, LLC and its affiliates (collectively "Rite-Hite") warrant that the Product sold to the Owner will be free of defects in design, materials and workmanship (ordinary wear and tear excepted) for the periods set forth below ("Limited Warranty").

Three (3) Year(s) on all mechanical and electrical parts (non-prorated).
One (1) Year(s) labor, based on approved travel and labor repair times.

REMEDIES

Parts: Rite-Hite's obligations under this Limited Warranty are limited to repairing or replacing, at Rite-Hite's option, any part which is determined by Rite-Hite to be defective during the applicable warranty period. Such repair or replacement shall be Rite-Hite's sole obligation and the Owner's exclusive remedy under this Limited Warranty.

Labor: Rite-Hite will provide warranty service without charge for labor per the specified warranty period. Thereafter, a charge will apply to any repair or replacement under this Limited Warranty.

CLAIMS Claims under this Limited Warranty must be made (i) within 30 (thirty) days after discovery and (ii) prior to expiration of the applicable warranty period. Warranty period commences on the date of shipment. Claims shall be made in writing or by contacting the representative from whom the Product was purchased directly. Owner must allow Rite-Hite or its agent, a reasonable opportunity to inspect any Product claimed to be defective and shall, at Rite-Hite's option, either (x) grant Rite-Hite or its agent access to Owner's premises for the purpose of repairing or replacing the Product or (y) return of the Product to the Rite-Hite, F.O.B. Rite-Hite's factory.

NOT WARRANTED Rite-Hite does not warrant against and is not responsible for wear items such as fuses, batteries, bulbs, vision and seals. No implied warranty shall be deemed to cover damages that result directly or indirectly from: (i) the unauthorized modification or repair of the Product, (ii) damage due to misuse, neglect, accident, failure to provide necessary maintenance, or normal wear and tear of the Product, (iii) failure to follow Rite-Hite's instructions for installation, failure to operate the Product within the Product's rated capacities and/or specified design parameters, or failure to properly maintain the Product, (iv) use of the Product in a manner that is inconsistent with Rite-Hite's guidelines or local building codes, (v) movement, settling, distortion, or collapse of the ground, or of improvements to which the Products are affixed, (vi) fire, flood, earthquake, elements of nature or acts of God, riots, civil disorder, war, or any other cause beyond the reasonable control of Rite-Hite, (vii) improper handling, storage, abuse, or neglect of the Product by Owner or by any third party.

DISCLAIMERS THIS LIMITED WARRANTY IS EXCLUSIVE AND IN LIEU OF ALL OTHER REPRESENTATIONS AND WARRANTIES, EXPRESS OR IMPLIED, AND RITE-HITE EXPRESSLY DISCLAIMS AND EXCLUDES ANY IMPLIED WARRANTIES OF MERCHANTABILITY OR FITNESS FOR PURPOSE. RITE-HITE SHALL NOT BE SUBJECT TO ANY OTHER OBLIGATIONS OR LIABILITIES, WHETHER ARISING OUT OF BREACH OF CONTRACT, WARRANTY, TORT (INCLUDING NEGLIGENCE AND STRICT LIABILITY) OR OTHER THEORIES OF LAW, WITH RESPECT TO THE PRODUCTS SOLD OR SERVICES RENDERED BY RITE-HITE, OR ANY UNDERTAKINGS, ACTS, OR OMISSIONS RELATING THERETO.

LIMITATION OF LIABILITY IN NO EVENT SHALL RITE-HITE BE RESPONSIBLE FOR, OR LIABLE TO ANYONE FOR, SPECIAL, INDIRECT, COLLATERAL, PUNITIVE, INCIDENTAL, OR CONSEQUENTIAL DAMAGES, EVEN IF RITE-HITE HAS BEEN ADVISED OF THE POSSIBILITY OF SUCH DAMAGES. Such excluded damages include, but are not limited to, personal injury, damage to property, loss of goodwill, loss of profits, loss of use, cost of cover with any substitute product, interruption of business, or other similar indirect financial loss.

170714

GLOBAL SALES AND SERVICE *Representatives in All Major Cities***RITE-HITE WORLD HEADQUARTERS**

8900 N. Arbon Drive
P.O. Box 245020
Milwaukee, Wisconsin 53224

☎ **414-355-2600**
U.S. Only: **1-800-456-0600**

RITE-HITE CHINA

First Floor, Building #3,
558 Tongxie Road,
Changning District
Shanghai 200335, China

☎ **+86-21-6237-6333**

RITE-HITE LATIN AMERICA

Alameda Lorena 800, conj. 1310
- Jardim Paulista
São Paulo-SP, CEP 01424-001
- Brazil

☎ **+55-11-3527-9590**

RITE-HITE GMBH

Carl-Zeiss-Strasse 3
34471 Volkmarsen, Germany

☎ **+49-5693 98700**