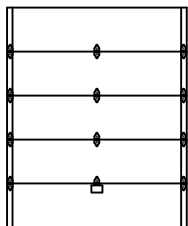
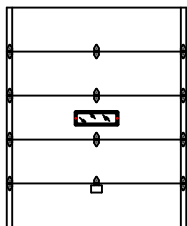


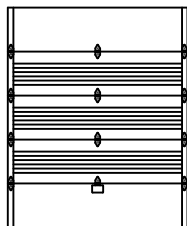
Rite-Flex Door Examples



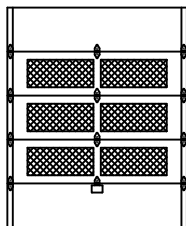
Base Rite-Flex Door



Base Rite-Flex Door w/ 8" x 24" window



Rite-Flex Door with Day-Lite™ Translucent Slats



Rite-Flex Door with Louvered Screen Inserts



RITE-FLEX DOOR ASSEMBLY

End User: _____
 SalesRep: _____
 Address: _____
 City: _____
 State: _____ Zip: _____

1. Quantity: _____
2. Doorway Width _____ ft _____ in
3. Doorway Height _____ ft _____ in
4. Door Thickness
 2"
 3"
5. Floor to CL of shaft _____ in (optional)
6. Door Lift Type:
 Standard Lift
 High Lift _____
 Vertical Lift
Distance from top of door opening to bottom of roller track (inches)
7. Track Size
 2" (.067" thick)
 3" (.097" thick)
8. Vertical Angle
 Reverse Angle (typ. steel jamb)
 Standard Angle (typ. wood jamb)

Bottom Panel Configuration:

Bottom Panel Seal

- Standard PVC
- Gap-Sealr I™ (foam wrapped in hypalon)
- Gap-Sealr II™ (PVC extrusion)

2nd Panel Configuration (from floor):

Ventilation Panel Option

- None
- with Louvered Screen
- Louvered Screen with Insulated Insert

Day-Lite™ Translucent Slat, Full Width 12" High

- Yes
- No

3rd Panel Configuration (from floor):

Ventilation Panel Option

- None
- with Louvered Screen
- Louvered Screen with Insulated Insert

Day-Lite™ Translucent Slat, Full Width 12" High

(N/A if there is a ventilation insert)

- Yes
- No

8" x 24" Polycarbonate Window(s)

(N/A if there is a ventilation insert)

- No Windows
- One Window
 Center
 Other Location _____ inches from left edge.
- Two Windows
(Centered vertically and evenly spaced horizontally)

**4th Panel Configuration (from floor):
 (Door height greater than 81" or 1830 mm)**

Ventilation Panel Option (N/A if top-most panel)*

- None
- with Louvered Screen
- Louvered Screen with Insulated Insert

Day-Lite™ Translucent Slat, Full Width 12" High

(N/A if there is a ventilation insert)

- Yes
- No

**5th Panel Configuration (from floor):
 (Door height greater than 108" or 2743 mm)**

Ventilation Panel Option (N/A if top-most panel)*

- None
- with Louvered Screen
- Louvered Screen with Insulated Insert

Day-Lite™ Translucent Slat, Full Width 12" High

(N/A if there is a Ventilation insert)

- Yes
- No

**6th Panel Configuration (from floor):
 (Door height greater than 135" or 3429 mm)**

Ventilation Panel Option (N/A if top-most panel)*

- None
- with Louvered Screen
- Louvered Screen with Insulated Insert

Day-Lite™ Translucent Slat, Full Width 12" High

(N/A if there is a Ventilation insert)

- Yes
- No

**7th Panel Configuration (from floor):
 (Door height greater than 162" or 4115 mm)**

Day-Lite™ Translucent Slat, Full Width 12" High

- Yes
- No

Approved For Manufacturing: _____

NOTES / SPECIFICATIONS

DOOR SIZE:

Minimum = 5'-2"W x 6'-0" H
 Maximum = 12'-2" W x 14'-0" H
 Door Width will be Doorway width + 2"
 Door Height available in 3" increments
 (At even foot, +3", +6", +9".)
 Example: A 10'-1" high doorway will receive a 10'-3" high door.

PANEL THICKNESS:

Nom.	Panel	Endcap
2"	1.75"	1.875"
3"	2.875"	3.0"

PANEL CONSTRUCTION:

White PVC Extrusion filled with polystyrene insulation.
 R-value for 2" thick is 6.
 R-value for 3" thick is 9.
 All panel endcaps are galvanized.

HARDWARE:

All springs are 25,000 cycle
 All hinges are 14 gauge.
 All rollers are steel long stem.
 All shafts are solid 1" dia. and 12" longer than door width for jackshaft operator installation.
 All doors less than 9'-0" will have one spring.

HARDWARE (continued):

All doors equal to or wider than 9'-0" will have two springs.
 All doors wider than 9'-2" will have a split shaft and coupler
 (1) lift handle will be standard.
 (1) step plate will be standard.
 (1) slide lock will be standard.
 (1) steel strut will be included for installation on the top panel.
 (2) spring bumpers will be standard.

The number of hinges across the panel will be determined by panel width:

Greater than or equal to 8'-11"	(3) Hinges
9'-0" - 10'-2"	(4) Hinges
10'-3" - 12'-2"	(5) Hinges

Hinge configuration as follows:

Vertical track will breakway from wall with 1/4" graduations.

	2" Track	3" Track
Top of Bottom Panel	#1	#3
Top of Panel 2	#2	#4
Top of Panel 3	#3	#5
Top of Panel 4	#4	#6
Top of Panel 5	#5	#7

Bearing plates and center supports will be 11 gauge.

HARDWARE (continued):

Tek screws will be included for attachment of all hardware through endcaps.

Track thickness: 2" = .067"

3" = .097"

Track mounting hardware is not provided.

Fab-Tek fasteners (provided by Rite-Hite) to be used for fastening hardware to plastic sections.

WEATHERSEAL:

Reverse angle track will have clip-on style weatherseal.
 Standard angle tracks will have a vinyl weatherseal with a 45 degree aluminum retainer.
 A vinyl flap weatherseal will be provided for the top of the door.

JAMB PREPARATION:

Jamb preparation and spring pads are not included.
 Spring Pad Minimum Size:
 Southern Pine - 2" x 10" x 18" minimum
 Steel Plate - 3/4" x 10" x 18" minimum
 These must be firmly anchored to the wall.

VENTILATION PANEL OPTION:

Panels with widths from 48" to 86.5" (1219 mm x 2197 mm) will contain (1) ventilation panel insert.
 Panels with widths from 86.75" to 129.75" (2203 mm x 3296 mm) will contain (2) ventilation panel inserts

Panels with widths from 130" to 146" (3302 mm x 3708 mm) will contain (3) ventilation panel inserts.

Fiberglass Mesh Screen:
 Each screen opening is approximately 12.5" x 33.5" (318 mm x 851 mm).

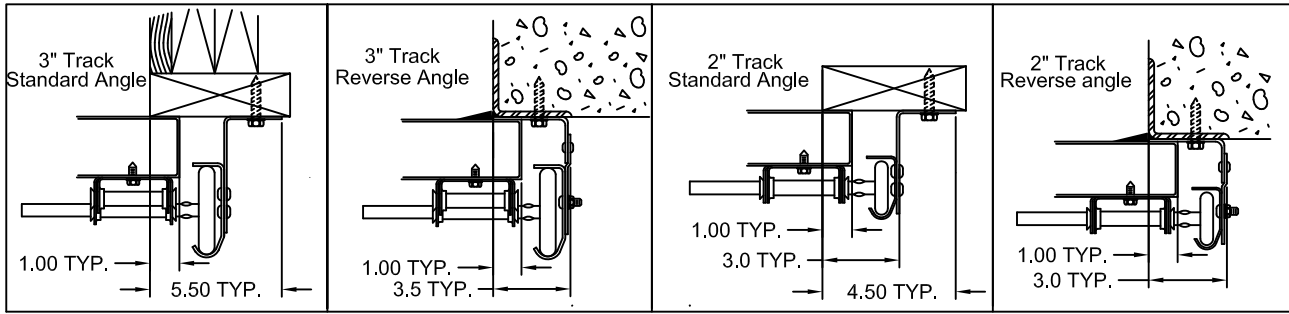
Fiberglass Thread diameter = .0065"
 Mesh Weave = 20 strands horizontally x 30 strands vertically
 Mesh hole size = .028" x .046"
 Percentage Open area = 70%

Louvers:

The louvers are constructed of powder coated aluminum.
 The louver opening is adjustable to limit opening to obstructions.
 The louvers will project approximately 3 inches (76 mm) off the outside of the panel in the fully opened position. This is adjustable but may interfere with door headers or wall obstructions on doors that do not break away from the wall as they are raised.

SHIPPING:

Orders of up to (3) doors will be packaged with one pallet for the door panels and one pallet for the door hardware.
 Larger orders will be packaged in bulk with the hardware labeled for each opening.



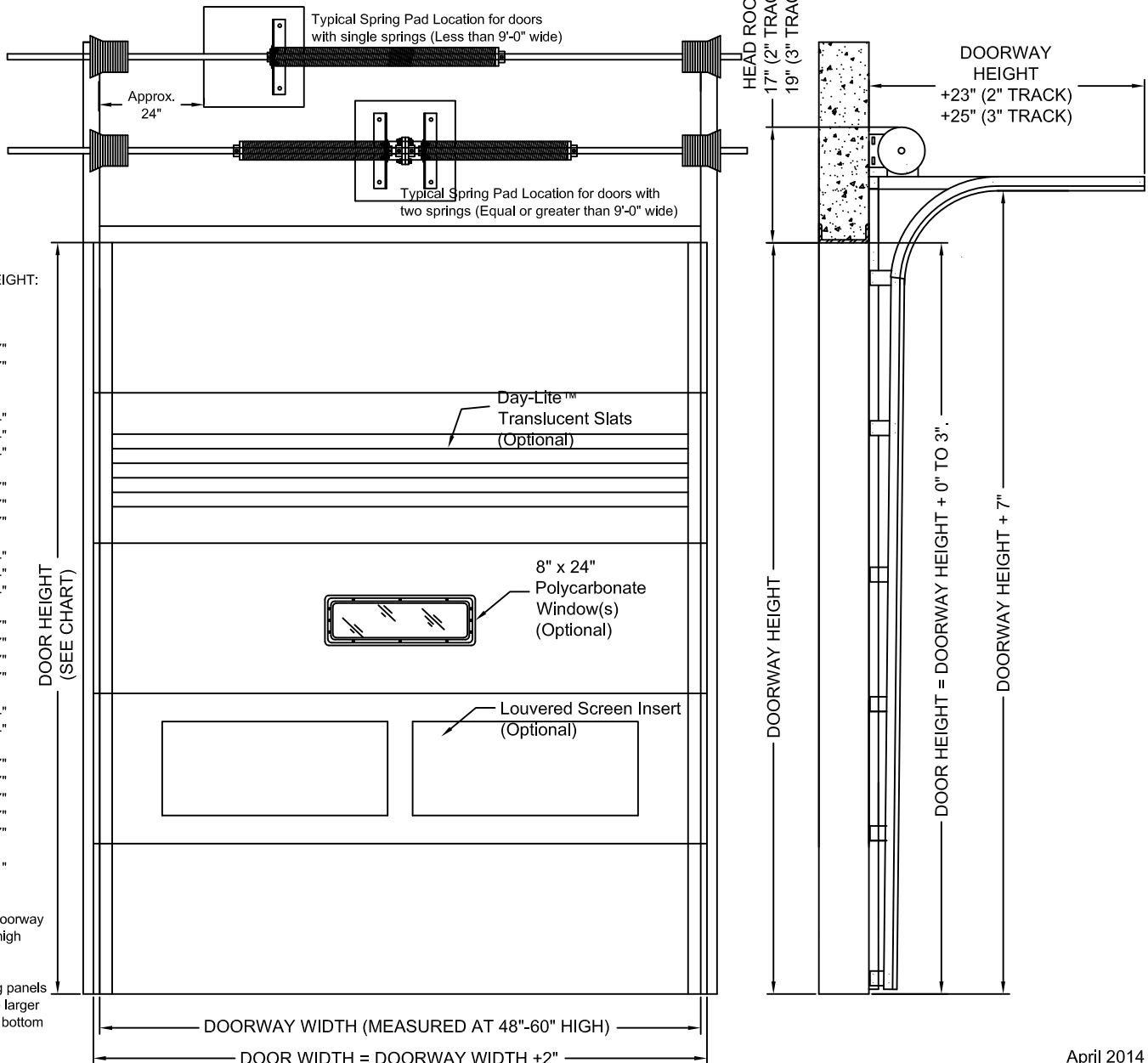
JAMB PREPARATION
Jamb preparation and spring pads are not included.
Spring Pad Minimum Size:
Southern Pine - 2" x 10" x 18" minimum
Steel Plate - 3/4" x 10" x 18" minimum
These must be firmly anchored to the wall.

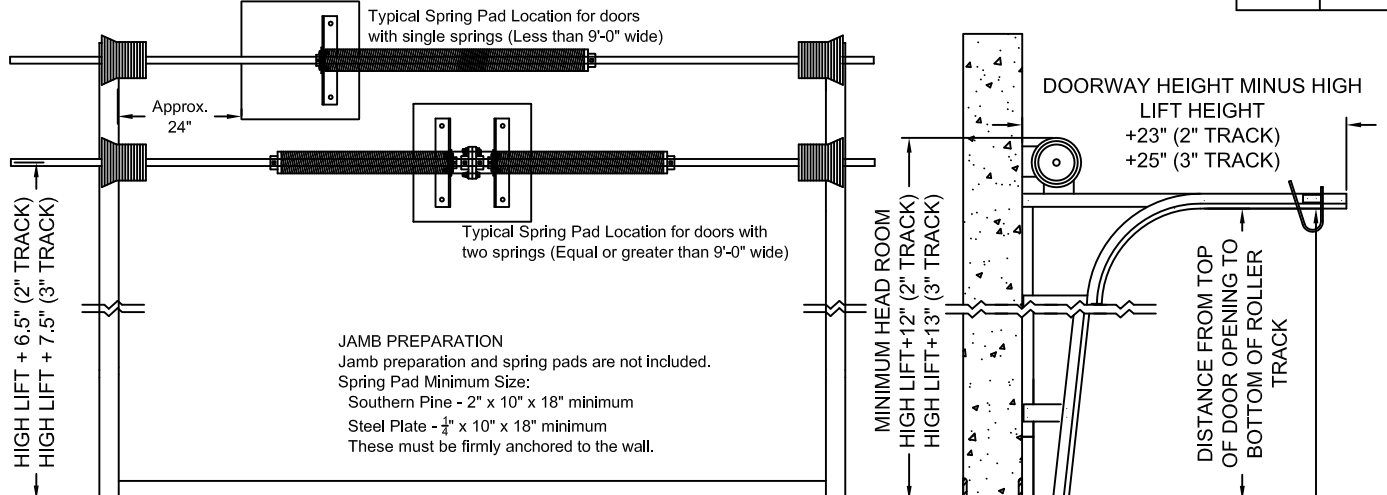
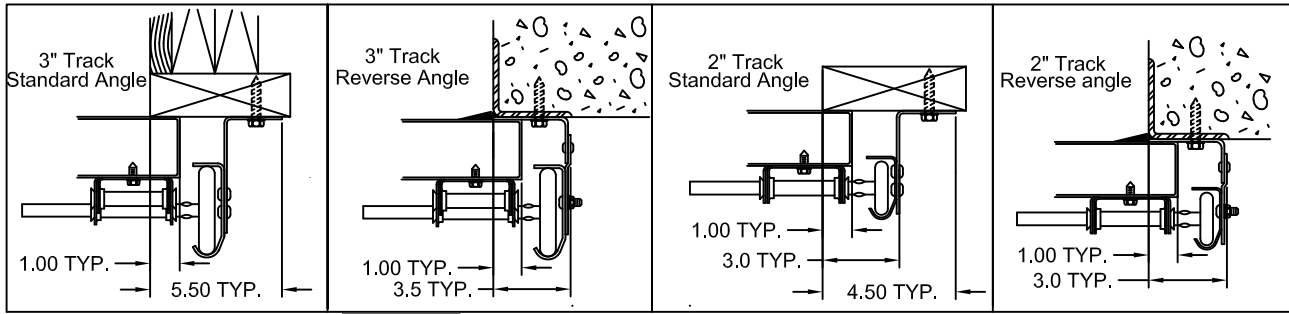
DOOR SECTION HEIGHT:

Door Height	Construction
72"	(3) 24"
75"	(2) 24", (1) 27"
78"	(1) 24", (2) 27"
81"	(3) 27"
84"	(4) 21"
87"	(3) 21", (1) 24"
90"	(2) 21", (2) 24"
93"	(1) 21", (3) 24"
96"	(4) 24"
99"	(3) 24", (1) 27"
102"	(2) 24", (2) 27"
105"	(1) 24", (3) 27"
108"	(4) 27"
111"	(3) 21", (2) 24"
114"	(2) 21", (3) 24"
117"	(1) 21", (4) 24"
120"	(5) 24"
123"	(4) 24", (1) 27"
126"	(3) 24", (2) 27"
129"	(2) 24", (3) 27"
132"	(1) 24", (4) 27"
135"	(5) 27"
138"	(2) 21", (4) 24"
141"	(1) 21", (5) 24"
144"	(6) 24"
147"	(5) 24", (1) 27"
150"	(4) 24", (2) 27"
153"	(3) 24", (3) 27"
156"	(2) 24", (4) 27"
159"	(1) 24", (5) 27"
162"	(6) 27"
165"	(6) 24", (1) 21"
168"	(7) 24"

Example: A 10'-1" Doorway will receive a 10'-3" high door.

If a door is built using panels of different sizes, the larger panels will be on the bottom of the door.



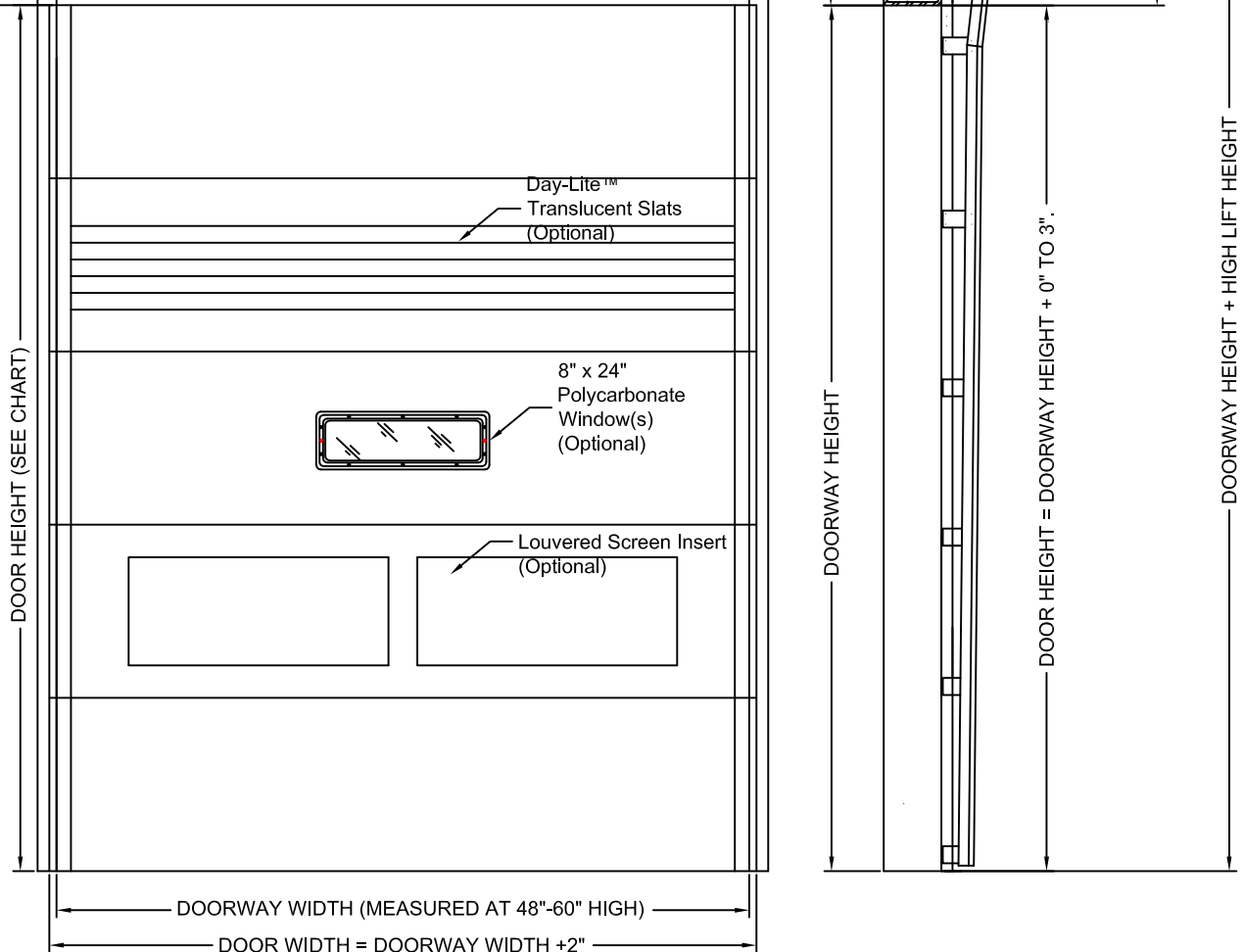


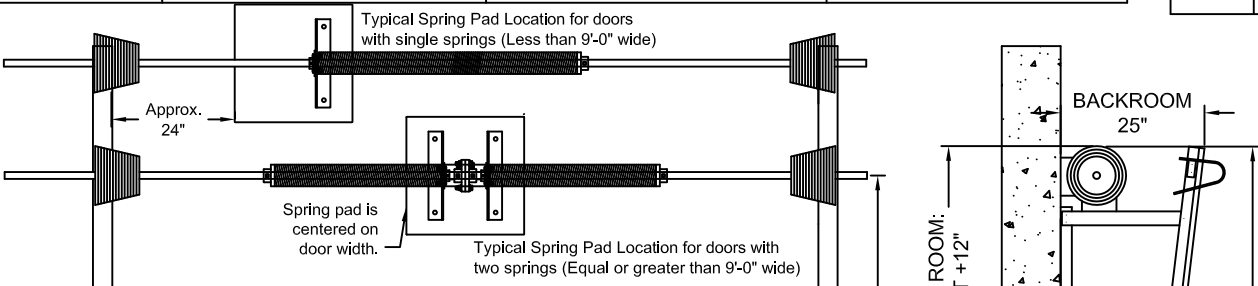
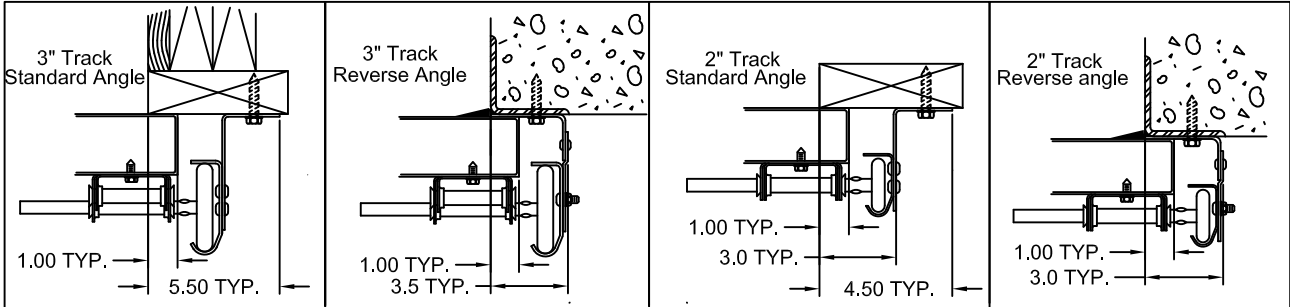
DOOR SECTION HEIGHT:

Door Height	Construction
72"	(3) 24"
75"	(2) 24", (1) 27"
78"	(1) 24", (2) 27"
81"	(3) 27"
84"	(4) 21"
87"	(3) 21", (1) 24"
90"	(2) 21", (2) 24"
93"	(1) 21", (3) 24"
96"	(4) 24"
99"	(3) 24", (1) 27"
102"	(2) 24", (2) 27"
105"	(1) 24", (3) 27"
108"	(4) 27"
111"	(3) 21", (2) 24"
114"	(2) 21", (3) 24"
117"	(1) 21", (4) 24"
120"	(5) 24"
123"	(4) 24", (1) 27"
126"	(3) 24", (2) 27"
129"	(2) 24", (3) 27"
132"	(1) 24", (4) 27"
135"	(5) 27"
138"	(2) 21", (4) 24"
141"	(1) 21", (5) 24"
144"	(6) 24"
147"	(5) 24", (1) 27"
150"	(4) 24", (2) 27"
153"	(3) 24", (3) 27"
156"	(2) 24", (4) 27"
159"	(1) 24", (5) 27"
162"	(6) 27"
165"	(6) 24", (1) 21"
168"	(7) 24"

Example: A 10'-1" Doorway will receive a 10'-3" high door.

If a door is built using panels of different sizes, the larger panels will be on the bottom of the door.





JAMB PREPARATION
Jamb preparation and spring pads are not included.
Spring Pad Minimum Size:
Southern Pine - 2" x 10" x 18" minimum
Steel Plate - 3/4" x 10" x 18" minimum
These must be firmly anchored to the wall.

DOOR SECTION HEIGHT:

Door Height	Construction
72"	(3) 24"
75"	(2) 24", (1) 27"
78"	(1) 24", (2) 27"
81"	(3) 27"
84"	(4) 21"
87"	(3) 21", (1) 24"
90"	(2) 21", (2) 24"
93"	(1) 21", (3) 24"
96"	(4) 24"
99"	(3) 24", (1) 27"
102"	(2) 24", (2) 27"
105"	(1) 24", (3) 27"
108"	(4) 27"
111"	(3) 21", (2) 24"
114"	(2) 21", (3) 24"
117"	(1) 21", (4) 24"
120"	(5) 24"
123"	(4) 24", (1) 27"
126"	(3) 24", (2) 27"
129"	(2) 24", (3) 27"
132"	(1) 24", (4) 27"
135"	(5) 27"
138"	(2) 21", (4) 24"
141"	(1) 21", (5) 24"
144"	(6) 24"
147"	(5) 24", (1) 27"
150"	(4) 24", (2) 27"
153"	(3) 24", (3) 27"
156"	(2) 24", (4) 27"
159"	(1) 24", (5) 27"
162"	(6) 27"
165"	(6) 24", (1) 21"
168"	(7) 24"

Example: A 10'-1" Doorway will receive a 10'-3" high door.

If a door is built using panels of different sizes, the larger panels will be on the bottom of the door.

